



US00D833643S

(12) **United States Design Patent**  
**Foley et al.**

(10) **Patent No.:** **US D833,643 S**

(45) **Date of Patent:** **\*\* Nov. 13, 2018**

(54) **INTEGRATED LADDER TRAY HOOK**

3,476,211 A 11/1969 Cormier  
3,481,026 A 12/1969 Lindesmith et al.  
3,692,143 A 9/1972 Kümmerlin et al.

(71) Applicant: **Tricam Industries, Inc.**, Eden Prairie,  
MN (US)

(Continued)

(72) Inventors: **Joseph P. Foley**, St. Paul, MN (US);  
**Benjamin P. Williams**, Chaska, MN  
(US)

FOREIGN PATENT DOCUMENTS

DE 195 39 157 A1 4/1997  
EP 0 324 885 7/1989  
NL 1002235 C1 8/1997

(73) Assignee: **Tricam Industries, Inc.**, Eden Prairie,  
MN (US)

OTHER PUBLICATIONS

(\*\*) Term: **15 Years**

Brochure, "Step Stools—Ladders 2001," Cosco, Inc. (2001), 12 pages.

(21) Appl. No.: **29/609,951**

(Continued)

(22) Filed: **Jul. 7, 2017**

*Primary Examiner* — Cynthia Ramirez

*Assistant Examiner* — Gino Colan

(51) **LOC (11) Cl.** ..... **25-04**

(52) **U.S. Cl.**

(74) *Attorney, Agent, or Firm* — Patterson Thuente  
Pedersen, P.A.

USPC ..... **D25/68**

(58) **Field of Classification Search**

(57) **CLAIM**

We claim the ornamental design for an integrated ladder tray hook, as shown and described.

USPC ..... D25/62–65, 68, 69; 182/107, 120, 129,  
182/108, 173, 214, 230; 248/211, 225.21  
CPC ..... E06C 7/14; E06C 7/48; E06C 7/46; E06C  
1/397; E06C 7/188; E06C 7/00; E06C  
7/182

**DESCRIPTION**

See application file for complete search history.

FIG. 1 is a perspective view of an integrated ladder tray hook according to the invention.

FIG. 2 is a top view of the integrated ladder tray hook according to the invention.

FIG. 3 is a front view of the integrated ladder tray hook according to the invention.

FIG. 4 is a bottom view of the integrated ladder tray hook according to the invention.

FIG. 5 is a left side view of the integrated ladder tray hook according to the invention; and,

FIG. 6 is a right side view of the integrated ladder tray hook according to the invention.

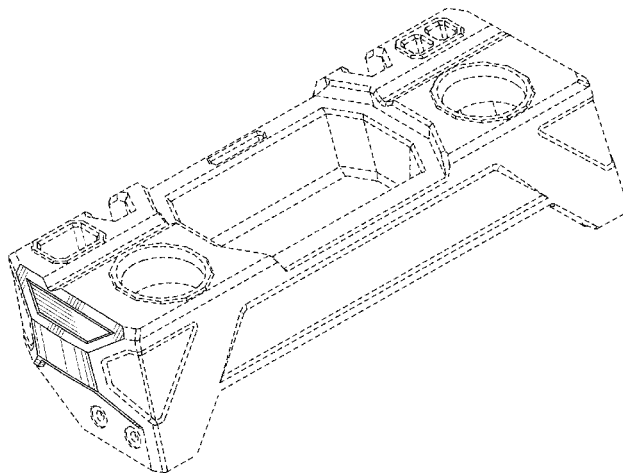
The broken lines shown in the drawings are for the purpose of illustrating environment and form no part of the claimed design.

(56) **References Cited**

U.S. PATENT DOCUMENTS

317,024 A 5/1885 Schumann  
445,453 A 1/1891 Nowland  
453,193 A 6/1891 Kinser  
1,942,210 A 1/1934 Harting  
1,973,774 A 9/1934 Pflugradt  
2,144,440 A 1/1939 Gaffers  
2,186,119 A 1/1940 Moen  
2,650,014 A 8/1953 Harrison  
3,002,582 A 10/1961 Marcellis  
3,318,413 A 5/1967 Werner et al.  
3,327,385 A 6/1967 Shaver

**1 Claim, 3 Drawing Sheets**

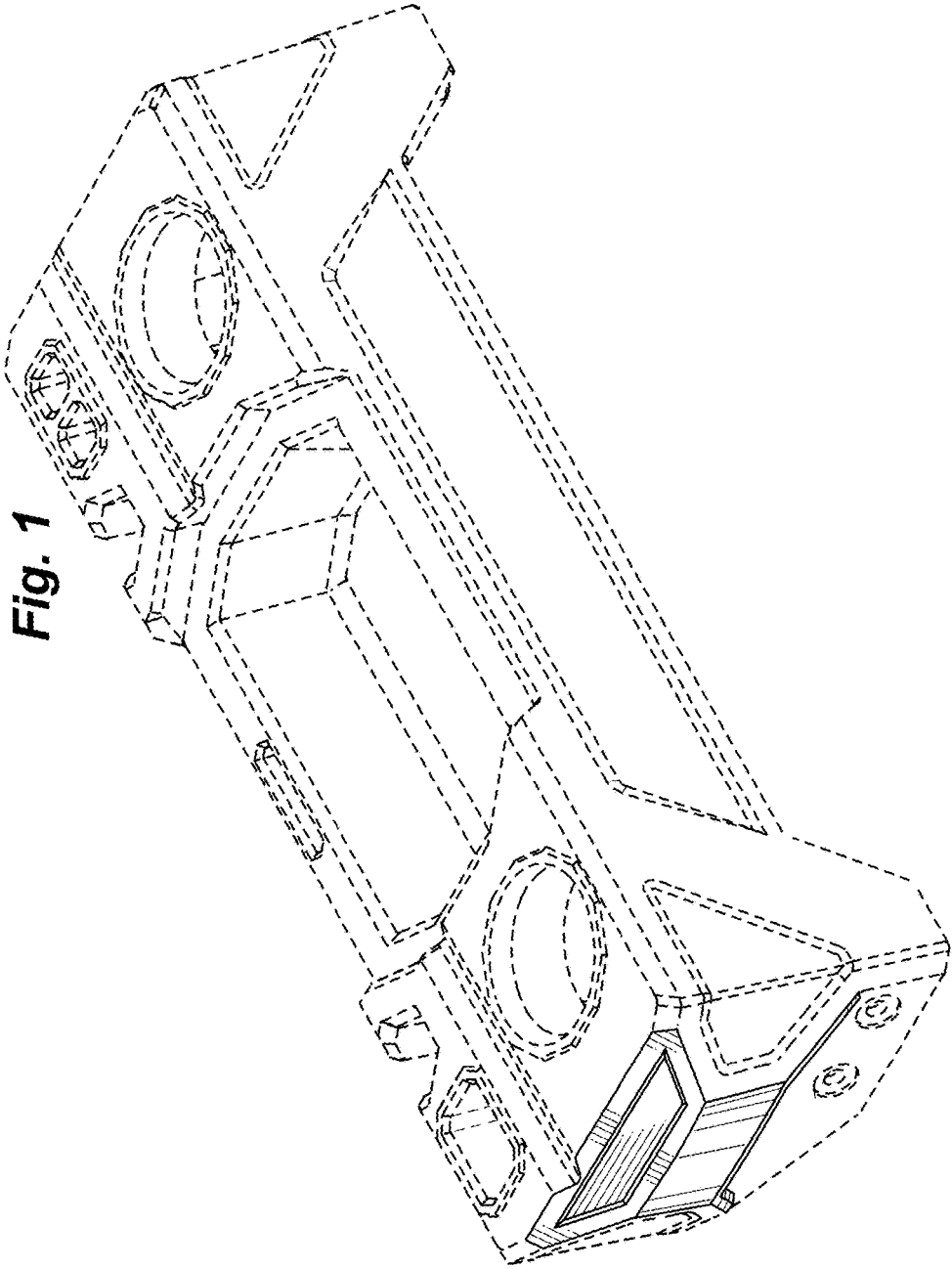


(56)	<b>References Cited</b>	6,401,862 B1 *	6/2002	Caron .....	E06C 7/14
	U.S. PATENT DOCUMENTS	6,502,664 B1 *	1/2003	Peaker, Sr. ....	182/120 E06C 7/14 182/129
3,811,151 A	5/1974 Kuemmerlin	6,533,882 B1	3/2003	Woodside	
3,849,834 A	11/1974 Mayer	D484,251 S *	12/2003	Pruett .....	D25/68
4,027,741 A	6/1977 Derrick	6,857,503 B2	2/2005	Simpson et al.	
4,031,981 A	6/1977 Spencer	6,866,117 B2	3/2005	Moss	
4,060,150 A	11/1977 Hughes	7,047,597 B2	5/2006	Lee	
4,061,203 A	12/1977 Spencer et al.	7,063,187 B1 *	6/2006	Lavigne .....	E06C 1/39 182/129
D248,777 S	8/1978 Spencer et al.				
RE30,020 E	6/1979 Spencer et al.	7,108,103 B2	9/2006	Meeker	
4,182,431 A	1/1980 Wing	D554,771 S	11/2007	Skubic et al.	
4,210,224 A	7/1980 Kummerlin et al.	7,364,017 B2	4/2008	Moss et al.	
4,216,844 A	8/1980 Klafs	7,861,826 B2	1/2011	Meyers et al.	
4,298,093 A	11/1981 Wing	D710,031 S	7/2014	Simpson et al.	
4,371,055 A	2/1983 Ashton et al.	8,919,497 B2	12/2014	Rund	
4,376,470 A	3/1983 Ashton	8,997,931 B2	4/2015	Parker et al.	
4,407,045 A	10/1983 Boothe	D735,354 S *	7/2015	Fadear .....	D25/68
4,469,193 A	9/1984 Rumsey, Jr.	9,359,819 B1 *	6/2016	Valadez .....	E06C 7/14
4,470,045 A	9/1984 Anderson	9,404,305 B1	8/2016	Messick	
4,474,264 A	10/1984 Krause	9,416,591 B2	8/2016	Kieffer et al.	
4,483,415 A	11/1984 Disston et al.	9,580,959 B2	2/2017	Kieffer et al.	
4,502,566 A	3/1985 Wing	2002/0017431 A1	2/2002	Gibson et al.	
4,540,306 A	9/1985 Wang	2002/0166727 A1	11/2002	Cramer et al.	
4,566,150 A	1/1986 Boothe	2003/0188923 A1	10/2003	Moss	
4,597,687 A	7/1986 Colas	2004/0000449 A1	1/2004	Meeker	
4,602,889 A	7/1986 Mu-Shan	2004/0007424 A1	1/2004	Simpson	
4,656,721 A	4/1987 Werner	2004/0108164 A1 *	6/2004	Pruett .....	E06C 7/14 182/129
4,666,327 A	5/1987 Su				
4,666,328 A	5/1987 Ryu	2007/0181369 A1	8/2007	Gibson et al.	
4,697,305 A	10/1987 Boothe	2011/0024234 A1	2/2011	Lin	
4,698,896 A	10/1987 Osterwald et al.	2011/0272923 A1	11/2011	Chen	
4,770,559 A	9/1988 Yoo	2012/0181109 A1	7/2012	Rund	
4,774,503 A	9/1988 Bussard	2014/0224585 A1	8/2014	Russell et al.	
4,824,278 A	4/1989 Chang	2015/0159434 A1	6/2015	Leng	
4,859,109 A	8/1989 Targetti	2015/0233181 A1	8/2015	Walsh	
4,890,950 A	1/1990 Yoo				
D309,502 S	7/1990 Wing et al.				
4,947,959 A	8/1990 Yuen				
4,951,780 A	8/1990 Kim				
4,967,879 A	11/1990 Klafs et al.				
4,974,701 A	12/1990 Parise				
5,002,153 A	3/1991 Yuen				
5,026,198 A	6/1991 Lin				
5,074,377 A	12/1991 Krause				
5,163,532 A	11/1992 McCarty				
5,228,535 A	7/1993 McCarty				
5,279,387 A	1/1994 Swiderski et al.				
5,353,892 A	10/1994 Lu				
5,359,812 A	11/1994 Mayfield				
5,366,051 A	11/1994 Bartnicki et al.				
5,419,084 A	5/1995 Sankey et al.				
5,487,207 A	1/1996 Rey				
5,515,942 A	5/1996 Woodfield				
5,620,272 A	4/1997 Sheng				
5,775,460 A	7/1998 Stone				
5,954,157 A	9/1999 Grimes et al.				
5,966,777 A	10/1999 Jantschek				
5,992,566 A	11/1999 Yeh				
6,032,759 A	3/2000 Yeh				
6,141,909 A	11/2000 Hanson				
6,220,389 B1	4/2001 Krause				
6,269,909 B1	8/2001 Grimes et al.				
6,298,605 B1	10/2001 Delefosse et al.				
6,343,406 B1	2/2002 Yeh				
6,347,687 B1	2/2002 Alim				
6,390,238 B1	5/2002 Gibson et al.				

OTHER PUBLICATIONS

Brochure re: The Little Giant, prior to Mar. 2017, 2 pages.  
 Brochure, "Ladders," Tricam Industries, prior to Mar. 2017, pp. 1-4.  
 Fact Sheet, "Prostep Multi-Folding Ladder, Type I," Tricam Industries, No. 001-1 (Mar. 94), 2 pages.  
 Brochure, "Jaws/Climbing systems for professionals and do-it-yourselfers," Featherlite Industries (1996).  
 Spec sheet, "Fiberglass VersaLadder™", Versa Products Inc., prior to Mar. 2017.  
 Brochure, "VersaLadder™, The Original, Amazing, Multi-purpose, Heavy-duty, Folding Ladder!" Versa Products Inc., prior to Mar. 2017.  
 Brochure, "VersaLadder™" (Jun. 1993).  
 Brochure, "Unless your ladder looks like this . . . and does this . . ." Wing Enterprises, Inc., prior to Mar. 2017.  
 Operating and Safety Instructions, "Little Giant Ladder Systems, Type IA," Wing Enterprises, Inc. (Aug. 1990), 30 pages.  
 Brochure, "Ladders," Keller Ladders, Inc. (1999), 4 pages.  
 Keller™ 2000/2001 Product Catalog, p. 8 (2000).  
 Brochure, Krause (1997), 6 pages.  
 Brochure, "The Little Giant Ladder System® Fiberglass," Wing Enterprises, prior to Mar. 2017.  
 Brochure, "Columbia & Blue Ribbon 1999 Ladders," Columbia Ladders/Blue Ribbon Ladders (1999), 4 pages.

\* cited by examiner



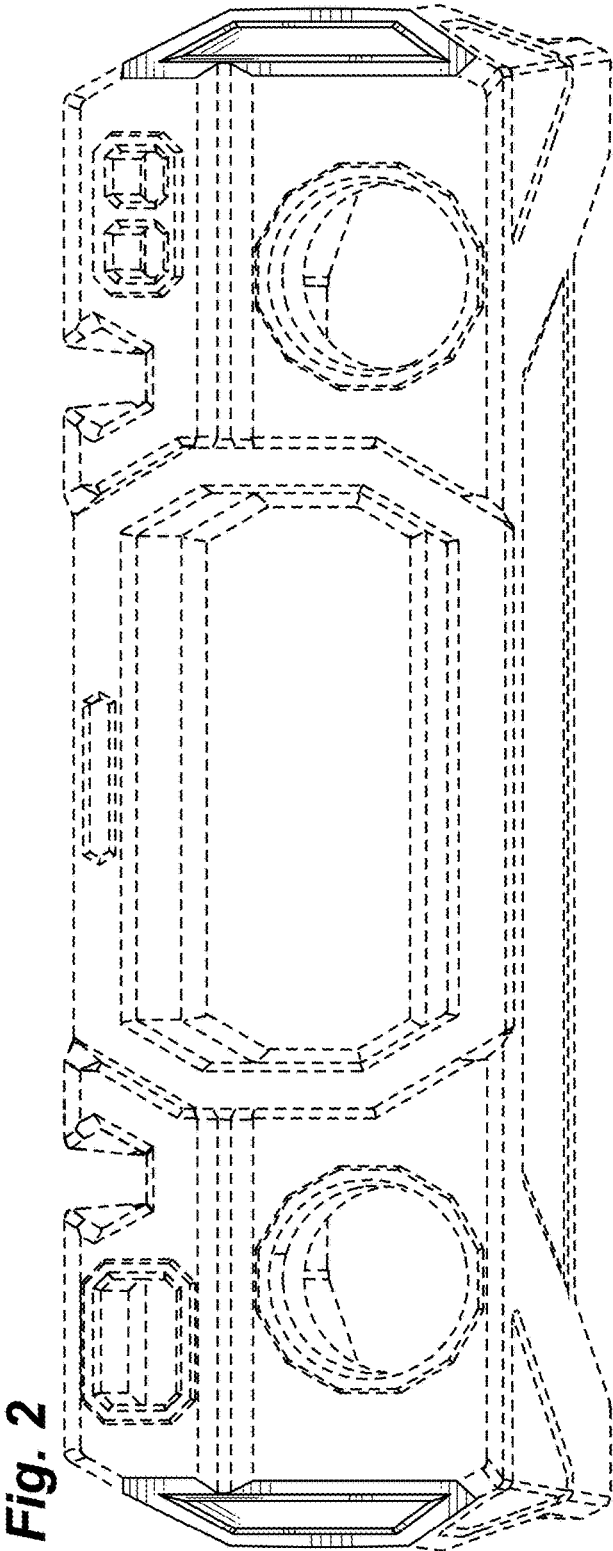


Fig. 2

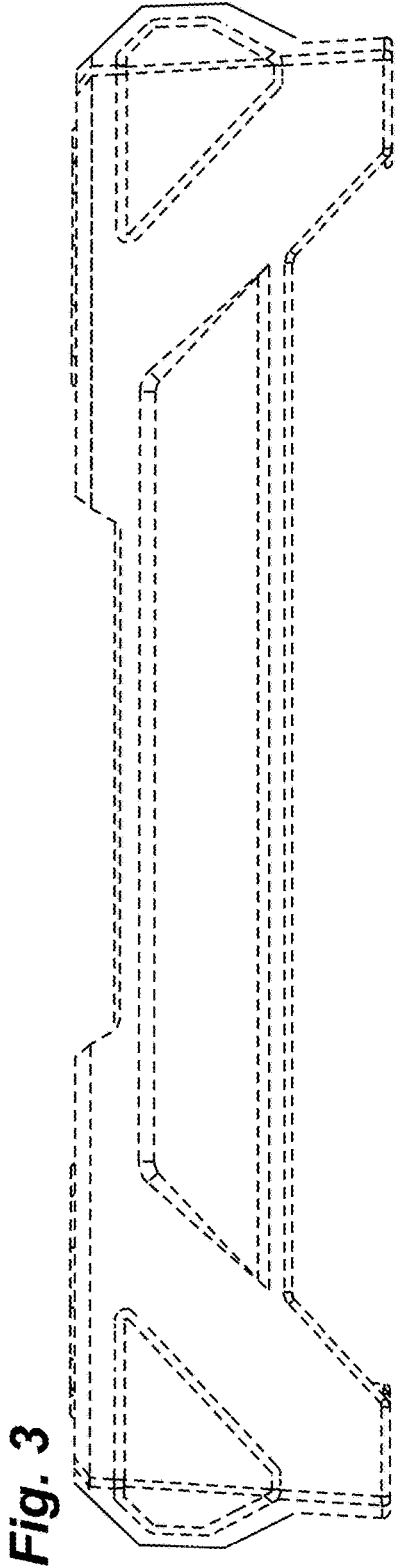


Fig. 3

