

(19) World Intellectual Property Organization  
International Bureau



(43) International Publication Date  
5 December 2002 (05.12.2002)

PCT

(10) International Publication Number  
WO 02/097593 A3

(51) International Patent Classification?: G06F 1/26

1575 W., Syracuse, UT 84075 (US). SMITH, Theodore, J.; 1751 Hillsboro Drive, Layton, UT 84040 (US).

(21) International Application Number: PCT/US02/16511

(74) Agent: SMITH, T., Murray; Baker Botts LLP, 2001 Ross Avenue, Suite 600, Dallas, TX 75201-2980 (US).

(22) International Filing Date: 23 May 2002 (23.05.2002)

(25) Filing Language: English

(81) Designated States (national): AE, AG, AL, AM, AT (utility model), AT, AU, AZ, BA, BB, BG, BR, BY, BZ, CA, CH, CN, CO, CR, CU, CZ (utility model), CZ, DE (utility model), DE, DK (utility model), DK, DM, DZ, EC, EE (utility model), EE, ES, FI (utility model), FI, GB, GD, GE, GH, GM, HR, HU, ID, IL, IN, IS, JP, KE, KG, KP, KR, KZ, LC, LK, LR, LS, LT, LU, LV, MA, MD, MG, MK, MN, MW, MX, MZ, NO, NZ, OM, PH, PL, PT, RO, RU, SD, SE, SG, SI, SK (utility model), SK, SL, TJ, TM, TN, TR, TT, TZ, UA, UG, UZ, VN, YU, ZA, ZM, ZW.

(26) Publication Language: English

(30) Priority Data:  
09/866,568 25 May 2001 (25.05.2001) US

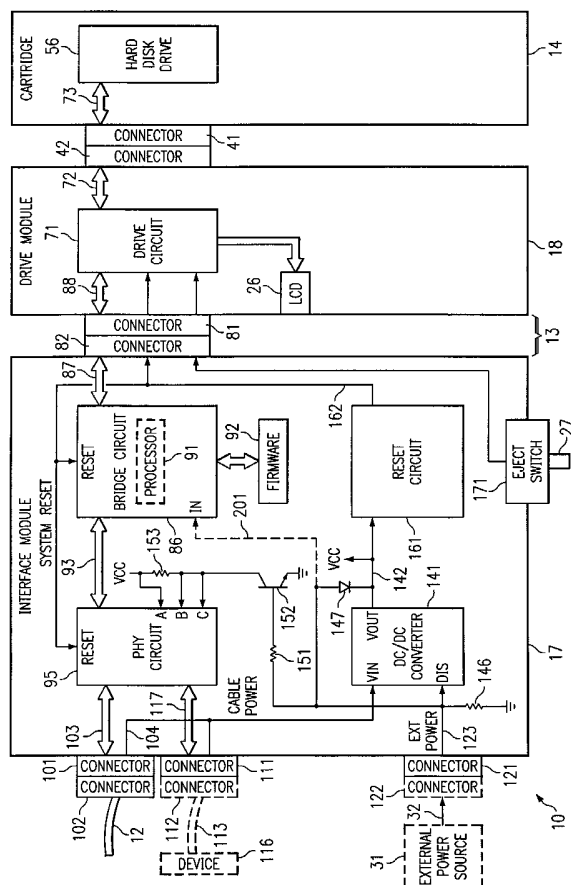
(71) Applicant: IOMEGA CORPORATION [US/US]; 1821 West Iomega Way, Roy, UT 84067 (US).

(72) Inventors: BAKER, William, P.; 1792 Lincoln Lane, Salt Lake City, UT 84124 (US). SHELTON, Todd, R.; 1902 S.

(84) Designated States (regional): ARIPO patent (GH, GM, KE, LS, MW, MZ, SD, SL, SZ, TZ, UG, ZM, ZW),

[Continued on next page]

(54) Title: METHOD AND APPARATUS FOR MANAGING POWER CONSUMPTION ON A BUS



(57) Abstract: An information storage device (10) includes a cartridge (14) removably inserted into a cradle (13) that has a drive module (18) releasably coupled to an interface module (17). The interface module can be operatively coupled by a cable (12) to a remote system. Communications through the cable conform to an industry-standard protocol. The storage device can receive power from either the cable or an external power source (31). The interface module can detect a change in the source of its operating power during normal system operation, and ensure that this is reported through the cable.

WO 02/097593 A3



Eurasian patent (AM, AZ, BY, KG, KZ, MD, RU, TJ, TM),  
European patent (AT, BE, CH, CY, DE, DK, ES, FI, FR,  
GB, GR, IE, IT, LU, MC, NL, PT, SE, TR), OAPI patent  
(BF, BJ, CF, CG, CI, CM, GA, GN, GQ, GW, ML, MR,  
NE, SN, TD, TG).

**Published:**

— *with international search report*

**(88) Date of publication of the international search report:**

15 May 2003

**Declarations under Rule 4.17:**

- *as to applicant's entitlement to apply for and be granted a patent (Rule 4.17(ii)) for all designations*
- *as to the applicant's entitlement to claim the priority of the earlier application (Rule 4.17(iii)) for all designations*

*For two-letter codes and other abbreviations, refer to the "Guidance Notes on Codes and Abbreviations" appearing at the beginning of each regular issue of the PCT Gazette.*

## INTERNATIONAL SEARCH REPORT

International Application No

PCT/US 02/16511

## A. CLASSIFICATION OF SUBJECT MATTER

IPC 7 G06F1/26

According to International Patent Classification (IPC) or to both national classification and IPC

## B. FIELDS SEARCHED

Minimum documentation searched (classification system followed by classification symbols)

IPC 7 G06F

Documentation searched other than minimum documentation to the extent that such documents are included in the fields searched

Electronic data base consulted during the international search (name of data base and, where practical, search terms used)

EPO-Internal, PAJ, WPI Data, IBM-TDB

## C. DOCUMENTS CONSIDERED TO BE RELEVANT

Category °	Citation of document, with indication, where appropriate, of the relevant passages	Relevant to claim No.
P,A	US 2002/042152 A1 (KOBAYASHI) 11 April 2002 (2002-04-11) paragraph '0041! - paragraph '0045! paragraph '0049! - paragraph '0053!; figures 4,6,7	1-14
P,A	US 6 285 092 B1 (KAWAHARA ET AL.) 4 September 2001 (2001-09-04) abstract	1-14
A	column 19, line 26 - line 37; figures 3-5 -& PATENT ABSTRACTS OF JAPAN vol. 2000, no. 07, 29 September 2000 (2000-09-29) & JP 2000 099217 A (SONY CORP.), 7 April 2000 (2000-04-07) abstract	

 Further documents are listed in the continuation of box C. Patent family members are listed in annex.

## ° Special categories of cited documents :

- \*A\* document defining the general state of the art which is not considered to be of particular relevance
- \*E\* earlier document but published on or after the international filing date
- \*L\* document which may throw doubts on priority claim(s) or which is cited to establish the publication date of another citation or other special reason (as specified)
- \*O\* document referring to an oral disclosure, use, exhibition or other means
- \*P\* document published prior to the international filing date but later than the priority date claimed

- \*T\* later document published after the international filing date or priority date and not in conflict with the application but cited to understand the principle or theory underlying the invention
- \*X\* document of particular relevance; the claimed invention cannot be considered novel or cannot be considered to involve an inventive step when the document is taken alone
- \*Y\* document of particular relevance; the claimed invention cannot be considered to involve an inventive step when the document is combined with one or more other such documents, such combination being obvious to a person skilled in the art.
- \* & \* document member of the same patent family

Date of the actual completion of the international search

18 February 2003

Date of mailing of the international search report

26/02/2003

Name and mailing address of the ISA

European Patent Office, P.B. 5818 Patentlaan 2  
NL - 2280 HV Rijswijk  
Tel. (+31-70) 340-2040, Tx. 31 651 epo nl,  
Fax: (+31-70) 340-3016

Authorized officer

Taylor, P

INTERNATIONAL SEARCH REPORT

Information on patent family members

International Application No

PCT/US 02/16511

Patent document cited in search report	Publication date	Patent family member(s)	Publication date
US 2002042152 A1	11-04-2002	CN 1350417 A EP 1198017 A2 JP 2002190390 A	22-05-2002 17-04-2002 05-07-2002
US 6285092 B1	04-09-2001	JP 2000099217 A	07-04-2000