

(19) World Intellectual Property Organization
International Bureau



(43) International Publication Date
19 September 2002 (19.09.2002)

PCT

(10) International Publication Number
WO 02/074008 A3

(51) International Patent Classification⁷: H04R 3/00

(21) International Application Number: PCT/GB02/01208

(22) International Filing Date: 14 March 2002 (14.03.2002)

(25) Filing Language: English

(26) Publication Language: English

(30) Priority Data:
0106269.4 14 March 2001 (14.03.2001) GB

(71) Applicant (for all designated States except US): AUNTIE GRAVITY LIMITED [GB/GB]; 40 Stafford Road, Suite 1, Brighton BN1 5PF (GB).

(72) Inventor; and

(75) Inventor/Applicant (for US only): HERMAN, David, Ian [GB/GB]; 40 Stafford Road, Suite 1, Brighton BN1 5PF (GB).

(74) Agents: HALE, Peter et al.; Kilburn & Strode, 20 Red Lion Street, London WC1R 4PJ (GB).

(81) Designated States (national): AE, AG, AL, AM, AT, AU, AZ, BA, BB, BG, BR, BY, BZ, CA, CH, CN, CO, CR, CU, CZ, DE, DK, DM, DZ, EC, EE, ES, FI, GB, GD, GE, GH, GM, HR, HU, ID, IL, IN, IS, JP, KE, KG, KP, KR, KZ, LC, LK, LR, LS, LT, LU, LV, MA, MD, MG, MK, MN, MW, MX, MZ, NO, NZ, OM, PH, PL, PT, RO, RU, SD, SE, SG, SI, SK, SL, TJ, TM, TN, TR, TT, TZ, UA, UG, US, UZ, VN, YU, ZA, ZM, ZW.

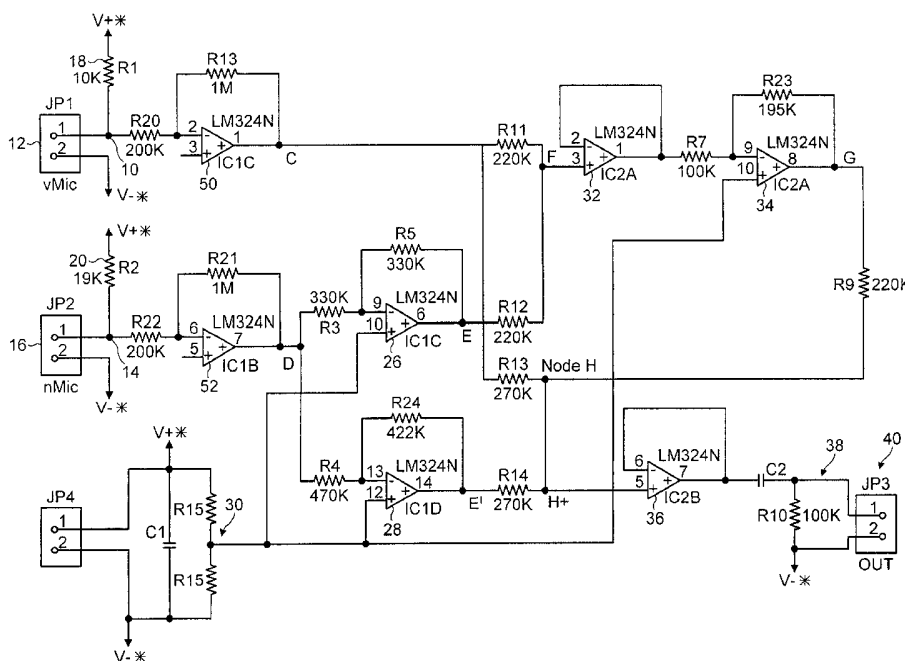
(84) Designated States (regional): ARIPO patent (GH, GM, KE, LS, MW, MZ, SD, SL, SZ, TZ, UG, ZM, ZW), Eurasian patent (AM, AZ, BY, KG, KZ, MD, RU, TJ, TM), European patent (AT, BE, CH, CY, DE, DK, ES, FI, FR, GB, GR, IE, IT, LU, MC, NL, PT, SE, TR), OAPI patent (BF, BJ, CF, CG, CI, CM, GA, GN, GQ, GW, ML, MR, NE, SN, TD, TG).

Published:

- with international search report
- before the expiration of the time limit for amending the claims and to be republished in the event of receipt of amendments

[Continued on next page]

(54) Title: IMPROVEMENTS IN NOISE CANCELLATION



(57) Abstract: A noise cancellation circuit includes comparison of a signal plus noise with a signal containing a greater proportion of noise to provide an intermediate signal. A similar comparison of the two signals is further compared with an attenuated version of the initial comparison to produce improved noise cancellation, taking into account distortions in the circuit originating with the transducers through which the signals are derived.

WO 02/074008 A3



-
- (88) **Date of publication of the international search report:** 4 September 2003 *For two-letter codes and other abbreviations, refer to the "Guidance Notes on Codes and Abbreviations" appearing at the beginning of each regular issue of the PCT Gazette.*
- (15) **Information about Correction:**
Previous Correction:
see PCT Gazette No. 47/2002 of 21 November 2002, Section II

INTERNATIONAL SEARCH REPORT

Inter Application No

PC1/GD 02/01208

A. CLASSIFICATION OF SUBJECT MATTER
IPC 7 H04R3/00

According to International Patent Classification (IPC) or to both national classification and IPC

B. FIELDS SEARCHED

Minimum documentation searched (classification system followed by classification symbols)

IPC 7 H04R H04M G10K H03G G10L

Documentation searched other than minimum documentation to the extent that such documents are included in the fields searched

Electronic data base consulted during the international search (name of data base and, where practical, search terms used)

EPO-Internal, WPI Data, PAJ

C. DOCUMENTS CONSIDERED TO BE RELEVANT

Category °	Citation of document, with indication, where appropriate, of the relevant passages	Relevant to claim No.
X	US H417 H (MILES) 5 January 1988 (1988-01-05) column 1, line 45-68	1-13
A	column 2, line 11 -column 3, line 27 ---	14-16
A	WO 00 53138 A (MCI WORLDCOM INC) 14 September 2000 (2000-09-14) page 1, line 8-12 page 4, line 25-30 page 9, line 1 -page 16, line 22 ---	1-19
A	US 4 932 063 A (NAKAMURA SHOGO) 5 June 1990 (1990-06-05) column 2, line 41 -column 5, line 37 -----	1-19

Further documents are listed in the continuation of box C.

Patent family members are listed in annex.

° Special categories of cited documents :

A document defining the general state of the art which is not considered to be of particular relevance

E earlier document but published on or after the international filing date

L document which may throw doubts on priority claim(s) or which is cited to establish the publication date of another citation or other special reason (as specified)

O document referring to an oral disclosure, use, exhibition or other means

P document published prior to the international filing date but later than the priority date claimed

T later document published after the international filing date or priority date and not in conflict with the application but cited to understand the principle or theory underlying the invention

X document of particular relevance; the claimed invention cannot be considered novel or cannot be considered to involve an inventive step when the document is taken alone

Y document of particular relevance; the claimed invention cannot be considered to involve an inventive step when the document is combined with one or more other such documents, such combination being obvious to a person skilled in the art.

Z document member of the same patent family

Date of the actual completion of the international search

19 June 2003

Date of mailing of the international search report

30/06/2003

Name and mailing address of the ISA

European Patent Office, P.B. 5818 Patentlaan 2
NL - 2280 HV Rijswijk
Tel. (+31-70) 340-2040, Tx. 31 651 epo nl,
Fax: (+31-70) 340-3016

Authorized officer

Zanti, P

INTERNATIONAL SEARCH REPORT

Information on patent family members

International Application No
PCT/GB 02/01208

Patent document cited in search report	Classification	Publication date	Patent family member(s)	Publication date
US H417	H	05-01-1988	NONE	
WO 0053138	A	14-09-2000	AU 3397600 A WO 0053138 A1	28-09-2000 14-09-2000
US 4932063	A	05-06-1990	JP 1118900 A DE 3837066 A1 GB 2212035 A , B	11-05-1989 11-05-1989 12-07-1989