



US00D560137S

(12) **United States Design Patent**  
**Reffert et al.**

(10) **Patent No.:** **US D560,137 S**

(45) **Date of Patent:** **\*\* Jan. 22, 2008**

(54) **HALLOWEEN PUMPKIN PUNCH OUT KIT**

(76) Inventors: **Laraine Reffert**, 2971 Sudbury La.,  
Brunswick, OH (US) 44212; **Randy**  
**Reffert**, 2971 Sudbury La., Brunswick,  
OH (US) 44212

D420,866 S \* 2/2000 VanHalteren et al. .... D7/675  
D435,069 S 12/2000 Berardelli  
6,267,036 B1 \* 7/2001 Lani ..... 83/660  
6,342,175 B1 \* 1/2002 Brown et al. .... 264/155  
2007/0036920 A1 \* 2/2007 Birkmann et al. .... 428/7

**FOREIGN PATENT DOCUMENTS**

(\*\*) Term: **14 Years**

GB 1553226 9/1979  
GB 2065568 7/1981

(21) Appl. No.: **29/226,727**

\* cited by examiner

(22) Filed: **Mar. 31, 2005**

*Primary Examiner*—Stella M. Reid

*Assistant Examiner*—Elizabeth J Oswecki

(51) **LOC (8) Cl.** ..... **11-05**

(52) **U.S. Cl.** ..... **D11/121; D11/117; D11/125**

(58) **Field of Classification Search** ..... D11/117,  
D11/121, 125, 127, 128, 131, 157, 158, 160,  
D11/164; D7/672, 381, 673, 675, 676; D9/614,  
D9/624; 428/7, 8, 9, 11

(74) *Attorney, Agent, or Firm*—Raymond M. Galasso;  
Galasso & Associates, LP

See application file for complete search history.

(57) **CLAIM**

The ornamental design for a Halloween pumpkin punch out kit, as shown.

(56) **References Cited**

**DESCRIPTION**

**U.S. PATENT DOCUMENTS**

D127,026 S \* 5/1941 Miller et al. .... D7/676  
D154,564 S \* 7/1949 Price et al. .... D7/676  
2,628,626 A 2/1953 Teillaud  
4,296,659 A \* 10/1981 Nauman ..... 83/54  
D319,374 S \* 8/1991 Johannsen ..... D7/689  
D332,032 S \* 12/1992 Kaiser ..... D7/676  
5,193,877 A 3/1993 George, Jr.  
5,303,473 A \* 4/1994 Sadler ..... 30/128  
D347,976 S \* 6/1994 Lombardi ..... D7/676  
D391,154 S \* 2/1998 Kramer ..... D3/271.3

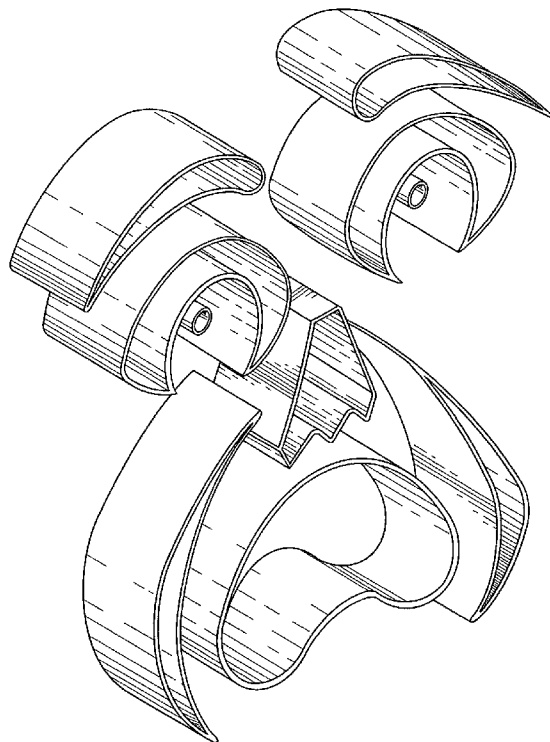
FIG. 1 is a front elevational view of a Halloween pumpkin punch out kit showing our new design; and,

FIG. 2 is a front elevational of the lettering included in the Halloween pumpkin punch out kit depicted in FIG. 1.

All surfaces not shown form no part of the claimed design.

A back view of the Halloween pumpkin punch out kit is being omitted since it is an identical/mirror image of the front view and contains no ornamentality.

**1 Claim, 2 Drawing Sheets**



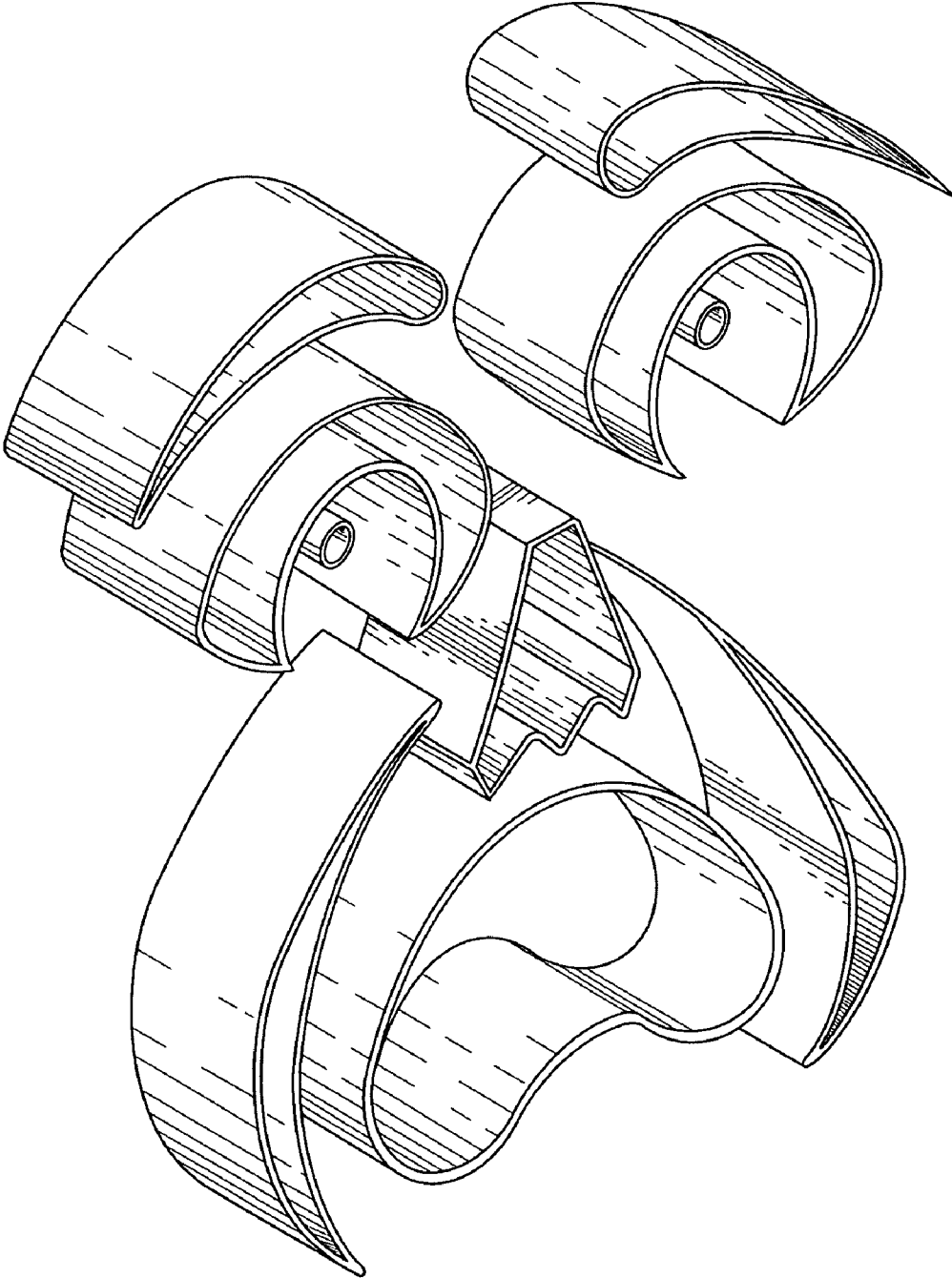


FIG. 1

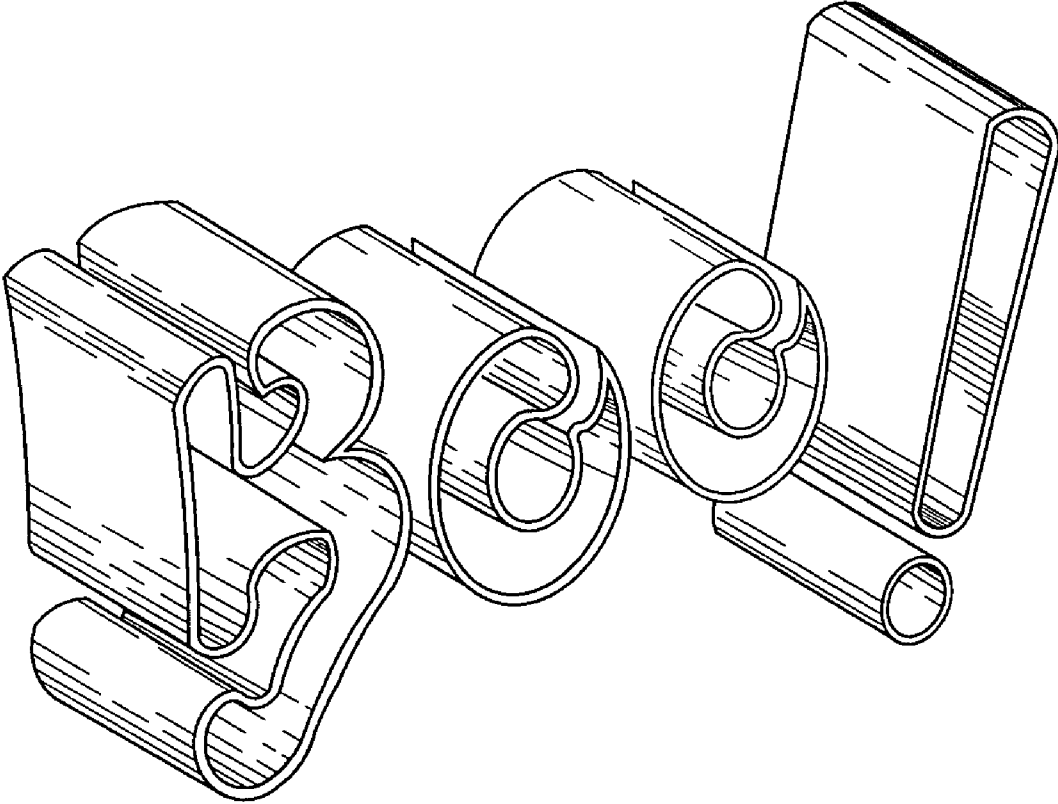


FIG. 2