



US00D838043S

(12) **United States Design Patent**  
**Ouyang**

(10) **Patent No.:** **US D838,043 S**

(45) **Date of Patent:** **\*\* Jan. 8, 2019**

(54) **NAIL LAMP**

(71) Applicant: **SHENZHEN UVLED OPTICAL TECHNOLOGY CO., LTD.**,  
Shenzhen, Guangdong (CN)

(72) Inventor: **Chenyi Ouyang**, Guangdong (CN)

(73) Assignee: **SHENZHEN UVLED TECHNOLOGY CO., LTD.** (CN)

(\*\*) Term: **15 Years**

(21) Appl. No.: **29/574,842**

(22) Filed: **Aug. 18, 2016**

(51) **LOC (11) Cl.** ..... **28-03**

(52) **U.S. Cl.**  
USPC ..... **D28/58**

(58) **Field of Classification Search**  
USPC ..... D28/78, 82, 88, 89, 91, 12, 19, 54.1, 57,  
D28/58, 61; D9/537, 731, 767, 772;  
206/538; 34/90, 104, 202, 231;  
250/494.1, 504, 504 R; D2/870, 878  
CPC . F26B 9/003; F26B 3/28; A45D 29/22; A45D  
29/20; A45D 2200/205  
See application file for complete search history.

(56) **References Cited**

**U.S. PATENT DOCUMENTS**

3,108,862	A *	10/1963	Toulmin	.....	A45D 20/22 34/99
D198,299	S *	5/1964	Reiss	.....	D28/19
3,348,316	A *	10/1967	Reiss	.....	A45D 20/24 285/409
D279,034	S *	5/1985	Putney	.....	D28/56
6,899,668	B2 *	5/2005	Paranjpe	.....	A45D 29/00 128/849
D622,444	S *	8/2010	Wissmann	.....	D28/17
D622,445	S *	8/2010	Wissmann	.....	D28/17
D629,968	S *	12/2010	Wissmann	.....	D28/17

D640,002	S *	6/2011	Wissmann	.....	D28/17
D755,442	S *	5/2016	Jih	.....	D28/54.1
2013/0020509	A1 *	1/2013	Horvath	.....	A45D 29/00 250/492.1
2014/0137424	A1 *	5/2014	Yessin	.....	F26B 25/18 34/104
2015/0230582	A1 *	8/2015	Alexander	.....	A45D 29/00 34/239

(Continued)

**FOREIGN PATENT DOCUMENTS**

CN	303873252	*	9/2016
EM	003181825-0002	*	6/2016
KR	300776052.0000	*	12/2014

**OTHER PUBLICATIONS**

SUN5 36w White Light Nail Lamp, posted at Youtube.com, published May 3, 2016 by Phoebe Peng, © Standard Youtube License, online, site visited May 26, 2017. Available from Internet, <URL:https://www.youtube.com/watch?v=b6xOTcolkhI>.\*

*Primary Examiner* — Shannon W Morgan  
*Assistant Examiner* — Altaira J Swangin

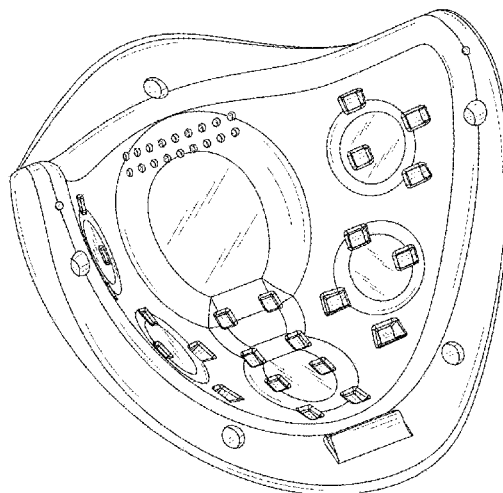
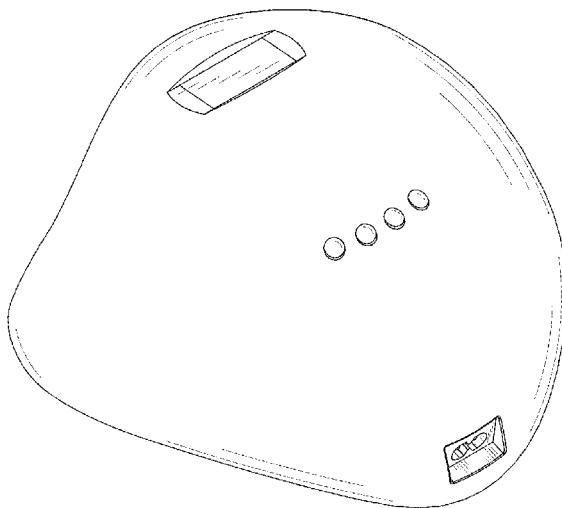
(57) **CLAIM**

The ornamental design for a nail lamp, as shown.

**DESCRIPTION**

FIG. 1 is a top view of a nail lamp showing my new design; FIG. 2 is a bottom view thereof; FIG. 3 is a left elevation view thereof; FIG. 4 is a right elevation view thereof; FIG. 5 is a front elevation view thereof; FIG. 6 is a back elevation view thereof; FIG. 7 is a perspective view thereof; FIG. 8 is another perspective view thereof; FIG. 9 is another perspective view thereof; and, FIG. 10 is another perspective view thereof.

**1 Claim, 8 Drawing Sheets**



(56)

**References Cited**

U.S. PATENT DOCUMENTS

2015/0290675 A1\* 10/2015 Lin ..... A45D 29/00  
250/494.1  
2016/0095409 A1\* 4/2016 Jih ..... A45D 29/00  
34/202  
2016/0095412 A1\* 4/2016 Jih ..... B05C 9/14  
34/275  
2016/0353856 A1\* 12/2016 Horvath ..... A45D 29/22

\* cited by examiner

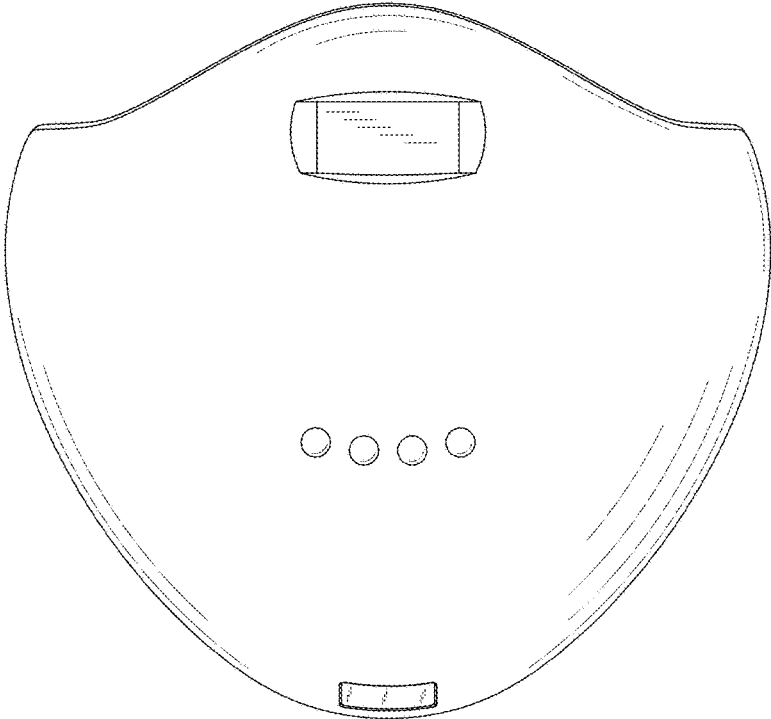


Fig. 1

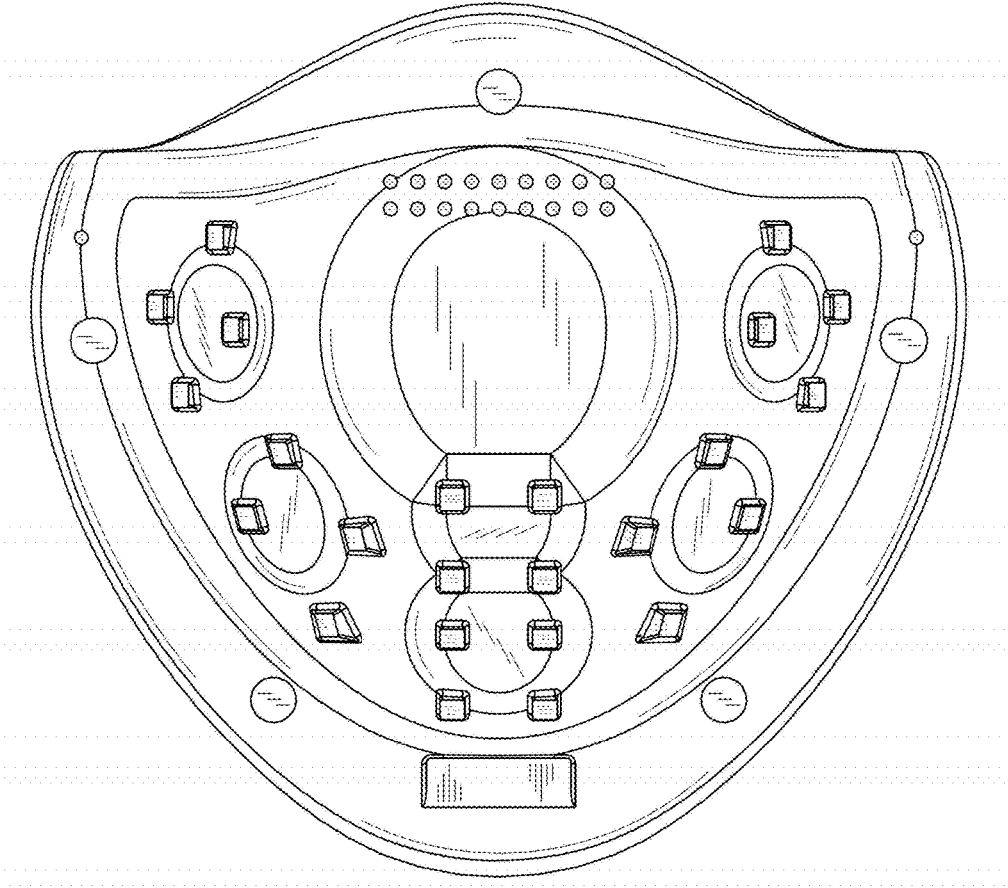


Fig.2

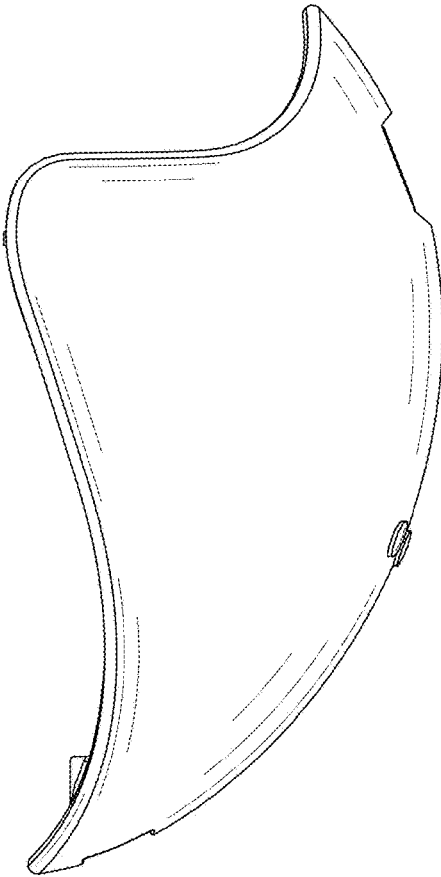


Fig.3

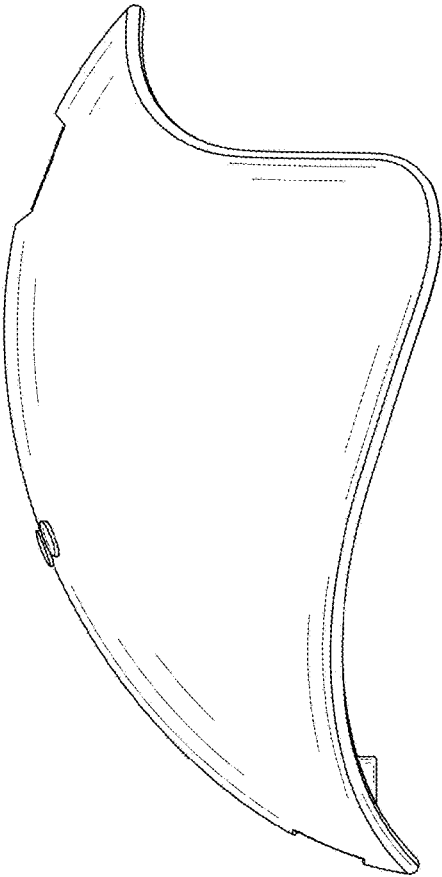


Fig.4

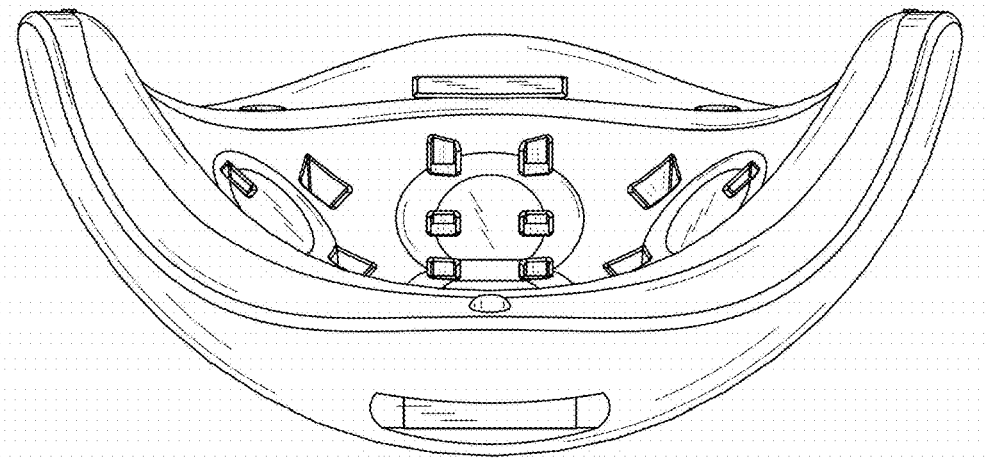


Fig.5

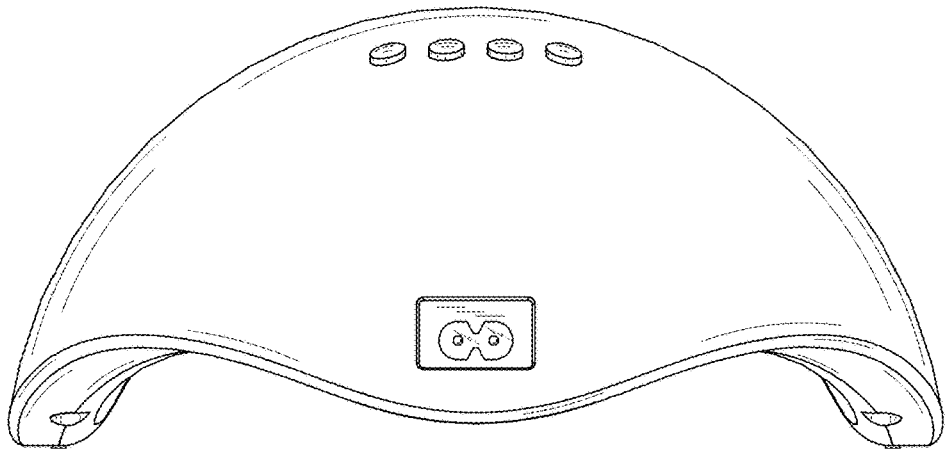


Fig.6

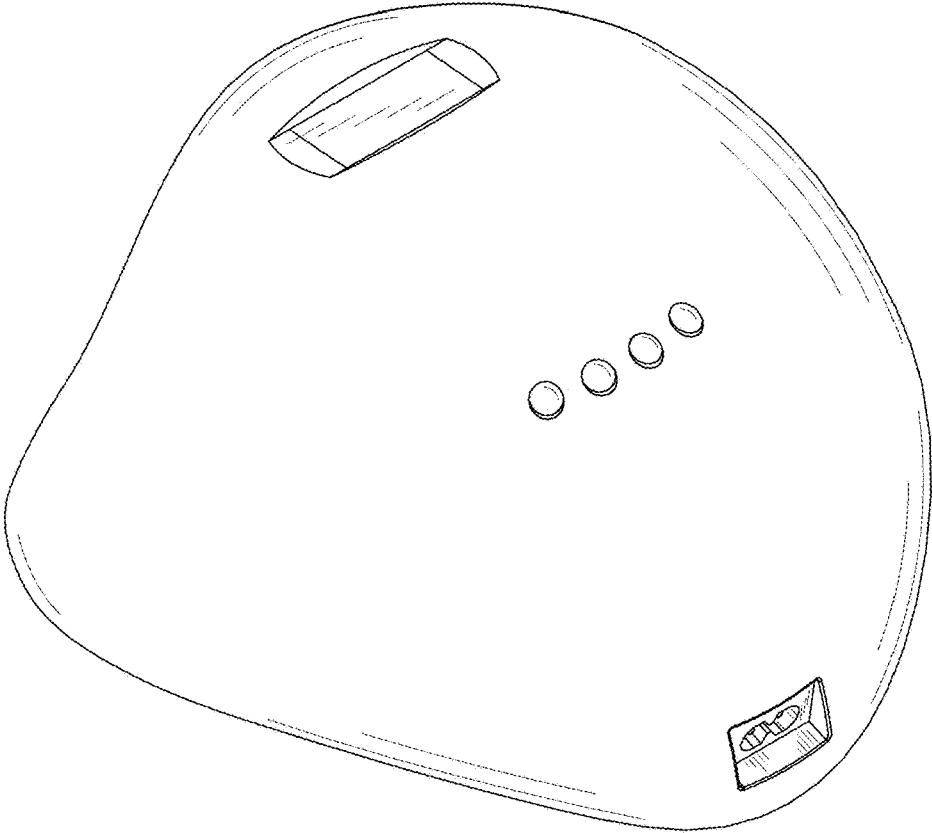


Fig.7

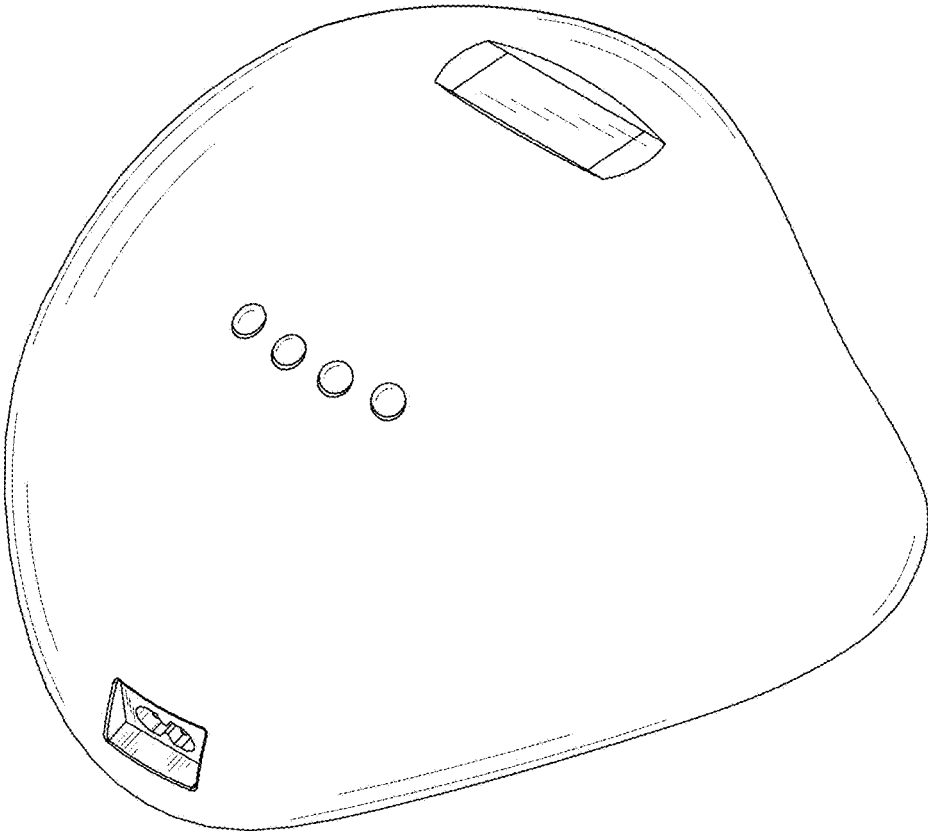


Fig.8

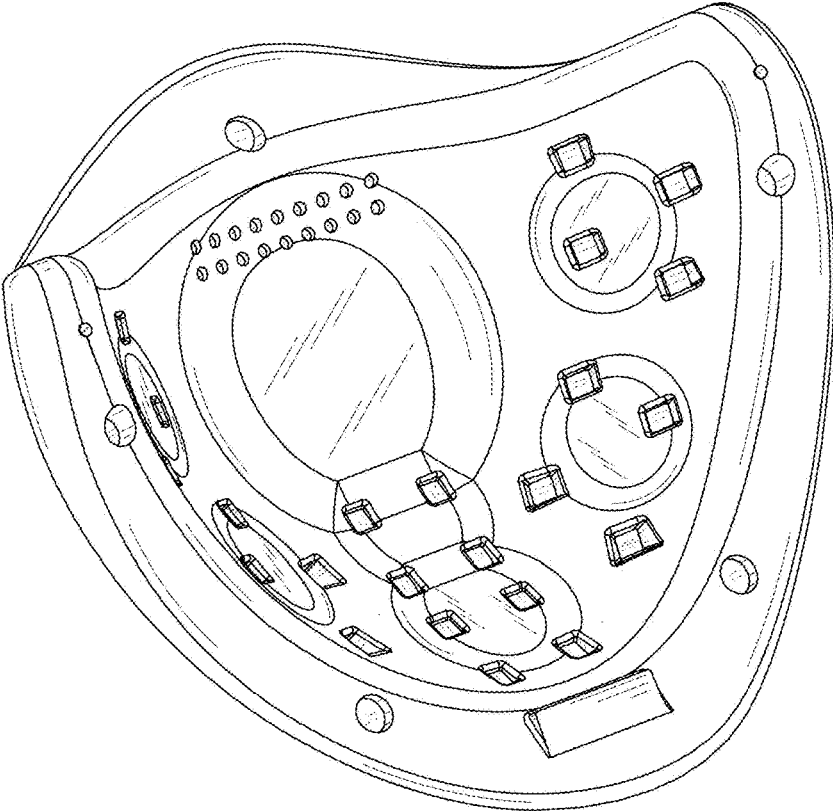


Fig.9

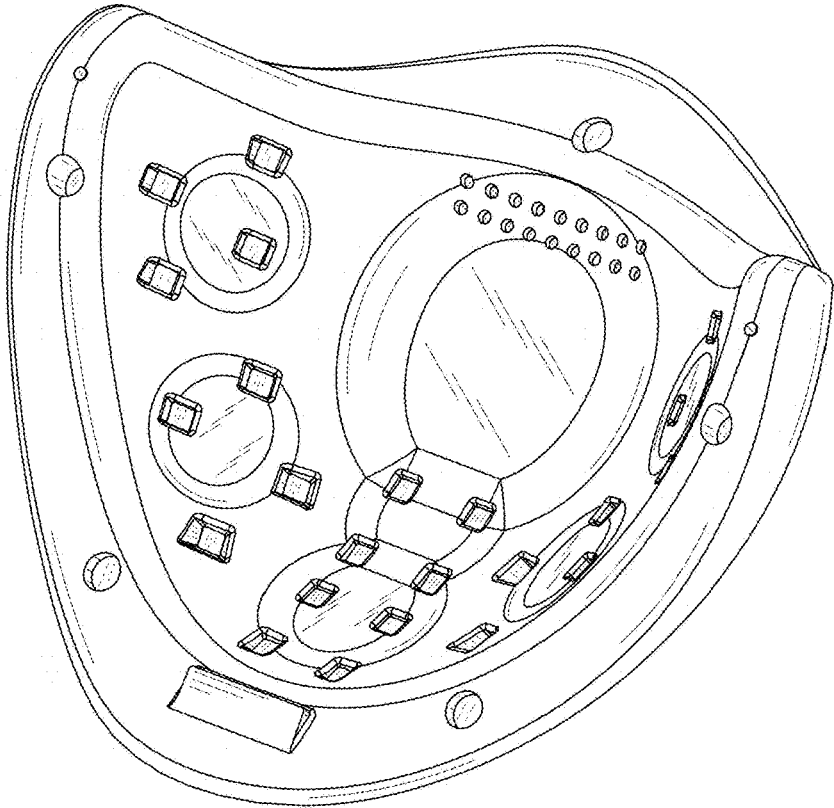


Fig.10