



(12) **United States Design Patent**  
**Marraccini**

(10) **Patent No.:** **US D755,629 S**  
(45) **Date of Patent:** **\*\* May 10, 2016**

(54) **POWDER DISPENSER COVER WITH STRAIGHT NOZZLE**

(71) Applicant: **Anthony Marraccini**, Purchase, NY (US)

(72) Inventor: **Anthony Marraccini**, Purchase, NY (US)

(\*\*) Term: **15 Years**

(21) Appl. No.: **29/528,241**

(22) Filed: **May 27, 2015**

(51) **LOC (10) CI.** ..... **09-07**

(52) **U.S. CI.**  
USPC ..... **D9/447**

(58) **Field of Classification Search**  
USPC ..... D7/300.1, 392, 510, 511; D9/434-436, D9/440, 443-445, 447-450, 452-454, D9/499; 222/209, 361, 478, 556  
CPC ..... B65D 47/06  
See application file for complete search history.

(56) **References Cited**

**U.S. PATENT DOCUMENTS**

D159,797 S *	8/1950	Gessler	.....	D9/436
D171,432 S *	2/1954	Bernabo	.....	D9/447
D204,511 S *	4/1966	Leeds et al.	.....	D9/450
3,348,716 A	10/1967	Nakata		
D241,918 S *	10/1976	Knickerbocker	.....	D9/448
D379,304 S *	5/1997	Bova	.....	D9/447
5,662,249 A	9/1997	Grosse		
D442,434 S *	5/2001	Klima	.....	D7/510
6,484,905 B1	11/2002	Swackhamer et al.		
D531,031 S *	10/2006	Lussier	.....	D9/447
D592,057 S *	5/2009	Guerin	.....	D9/449
D634,631 S *	3/2011	Taylor	.....	D9/447
8,181,830 B2	5/2012	Flores		
D708,946 S *	7/2014	Hutchison	.....	D9/447
D721,958 S *	2/2015	Hamway	.....	D9/436
D727,671 S *	4/2015	Gamelli	.....	D7/300.1
2008/0156832 A1 *	7/2008	Vollmann	.....	A61C 5/068 222/361

\* cited by examiner

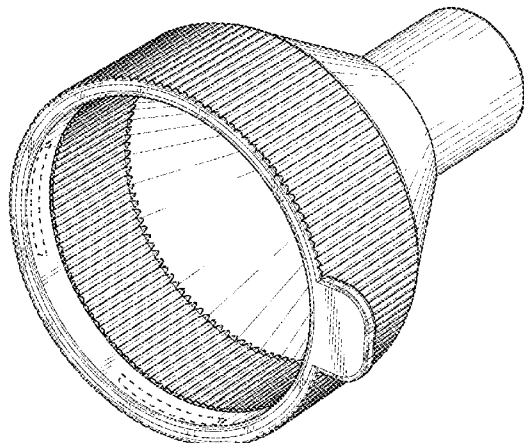
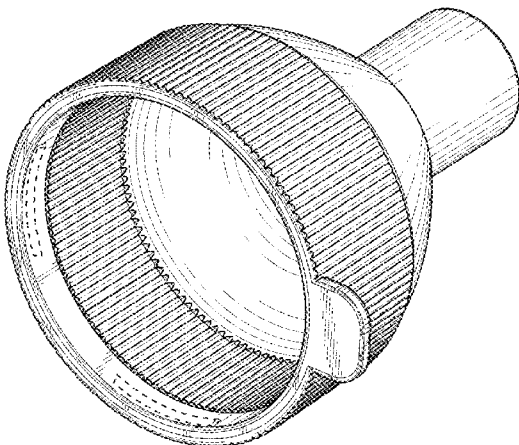
*Primary Examiner* — Robert M Spear  
*Assistant Examiner* — Darcey E Heflin  
(74) *Attorney, Agent, or Firm* — John S. Economou

(57) **CLAIM**  
The ornamental design for a powder dispenser cover with straight nozzle, as shown and described.

**DESCRIPTION**

FIG. 1 is a bottom right perspective view of a first embodiment of a powder dispenser cover with straight nozzle of the present invention;  
FIG. 2 is a front side view thereof;  
FIG. 3 is a back side view thereof;  
FIG. 4 is a left side view thereof;  
FIG. 5 is a right side view thereof;  
FIG. 6 is a top view thereof;  
FIG. 7 is a bottom view thereof;  
FIG. 8 is a bottom right perspective view of a second embodiment of a powder dispenser cover with straight nozzle of the present invention;  
FIG. 9 is a front side view thereof;  
FIG. 10 is a back side view thereof;  
FIG. 11 is a left side view thereof;  
FIG. 12 is a right side view thereof;  
FIG. 13 is a top view thereof;  
FIG. 14 is a bottom view thereof;  
FIG. 15 is a bottom right perspective view of a third embodiment of a powder dispenser cover with straight nozzle of the present invention;  
FIG. 16 is a front side view thereof;  
FIG. 17 is a back side view thereof;  
FIG. 18 is a left side view thereof;  
FIG. 19 is a right side view thereof;  
FIG. 20 is a top view thereof; and,  
FIG. 21 is a bottom view thereof.  
In the drawings, the broken lines depict environmental subject matter only that forms no part of the claim.

**1 Claim, 12 Drawing Sheets**



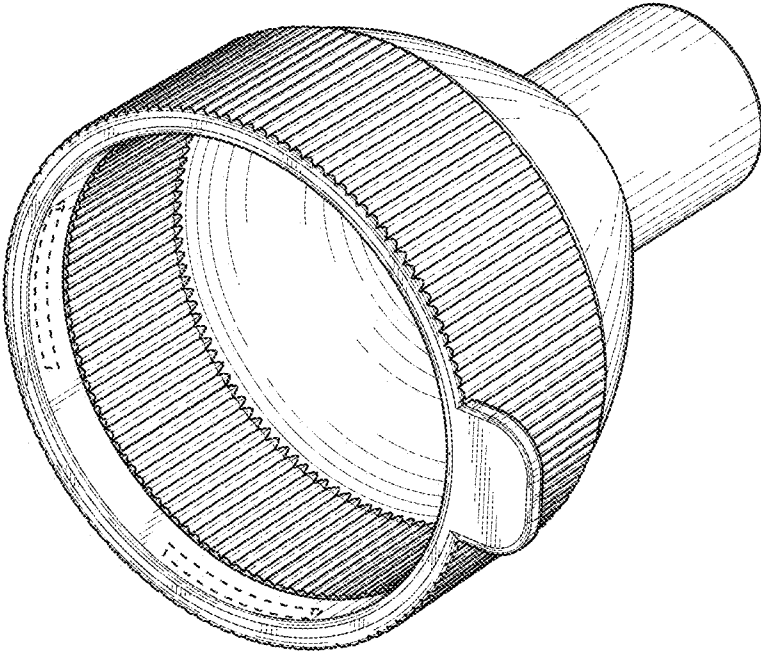


FIG. 1

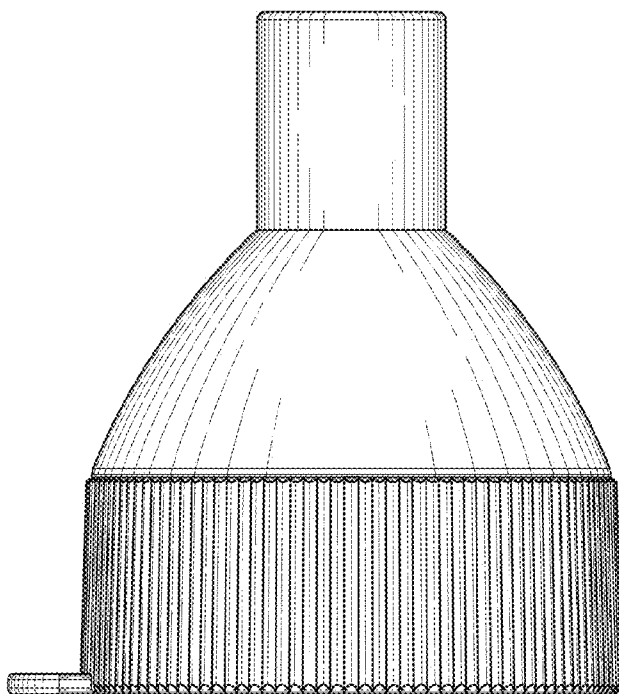


FIG. 2

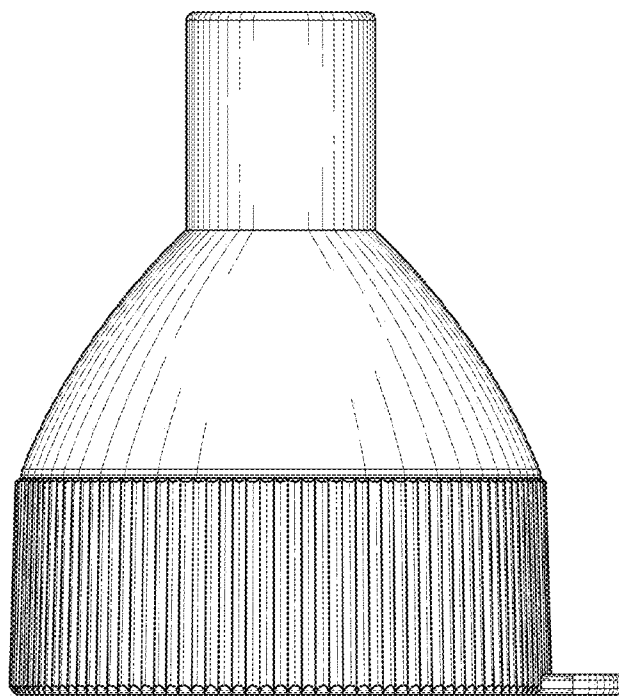


FIG. 3

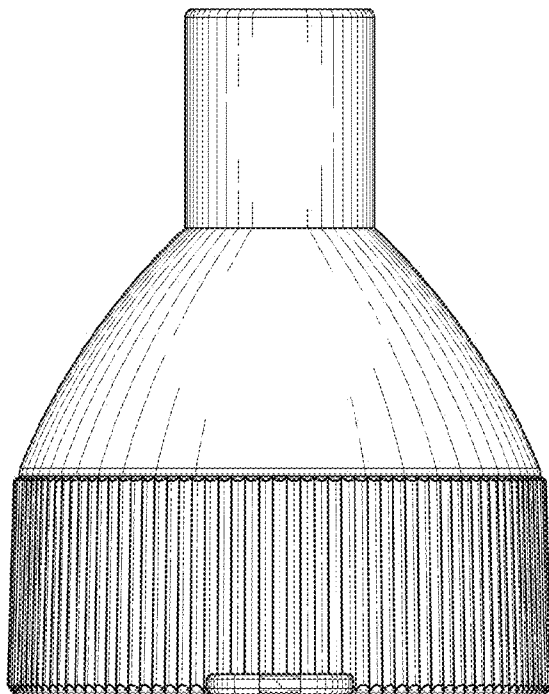


FIG. 4

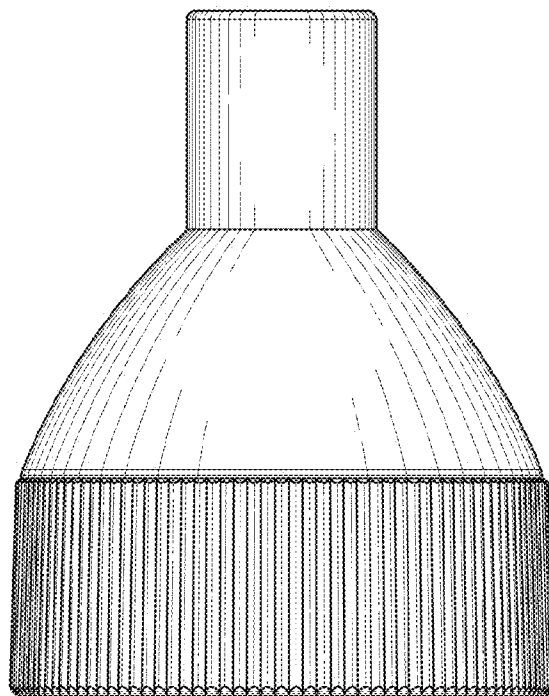


FIG. 5

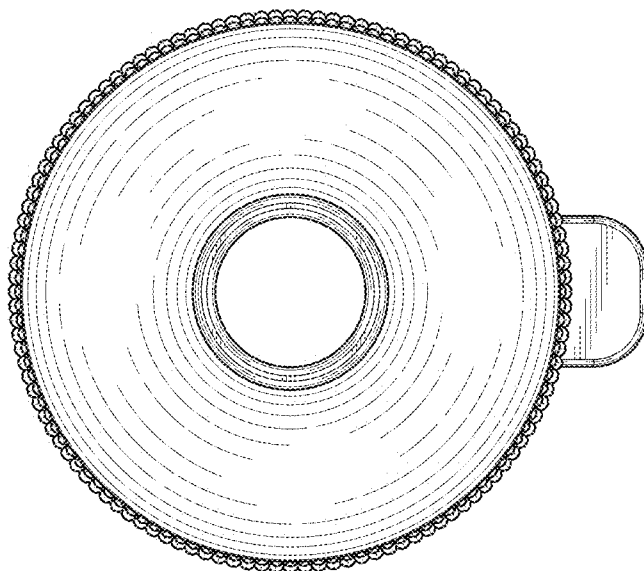


FIG. 6

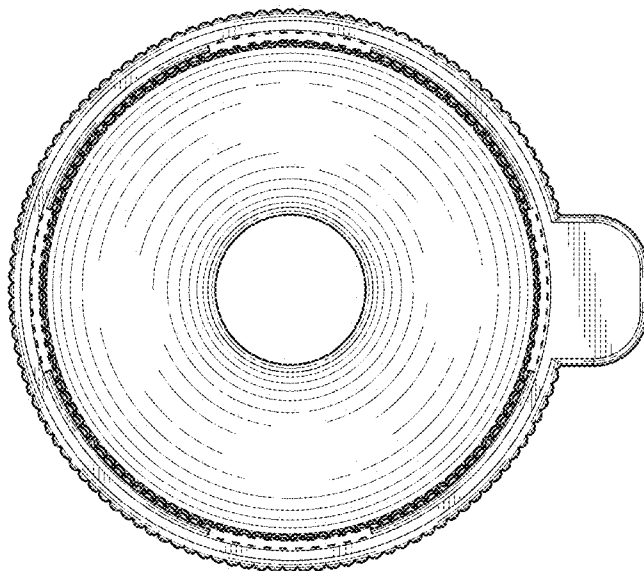


FIG. 7

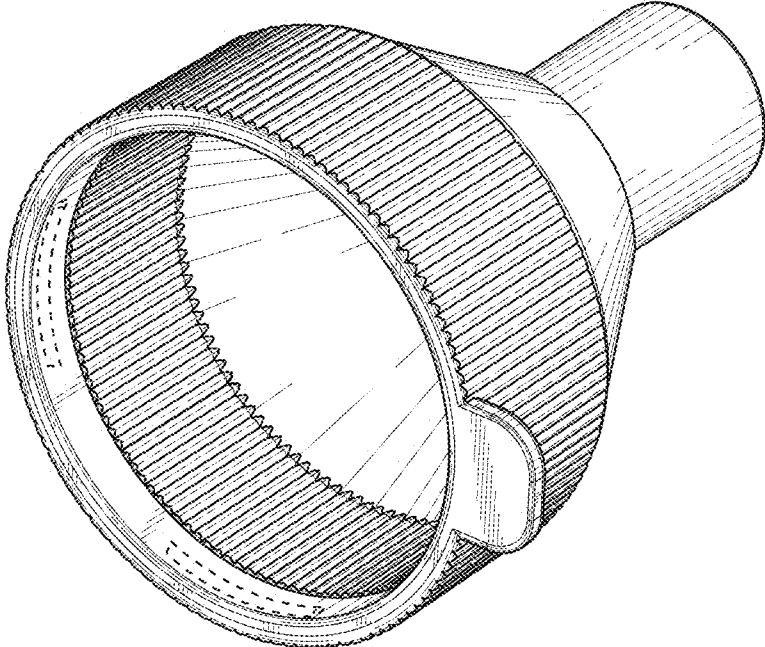


FIG. 8

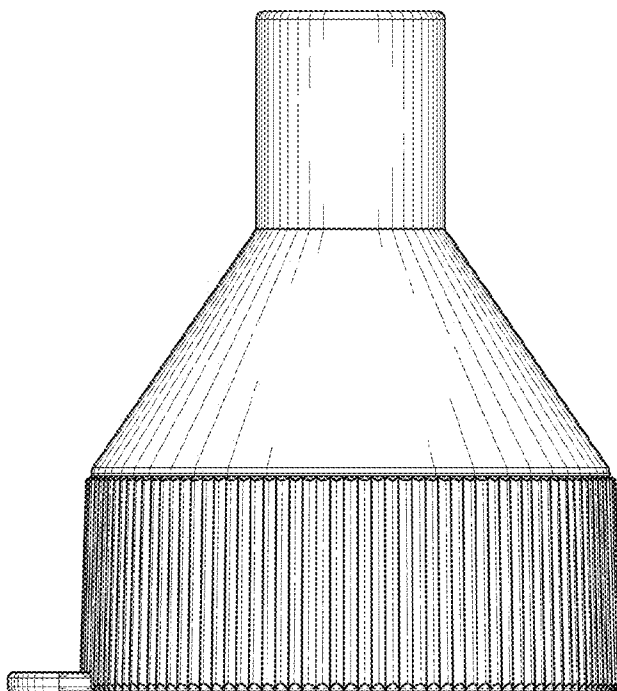


FIG. 9

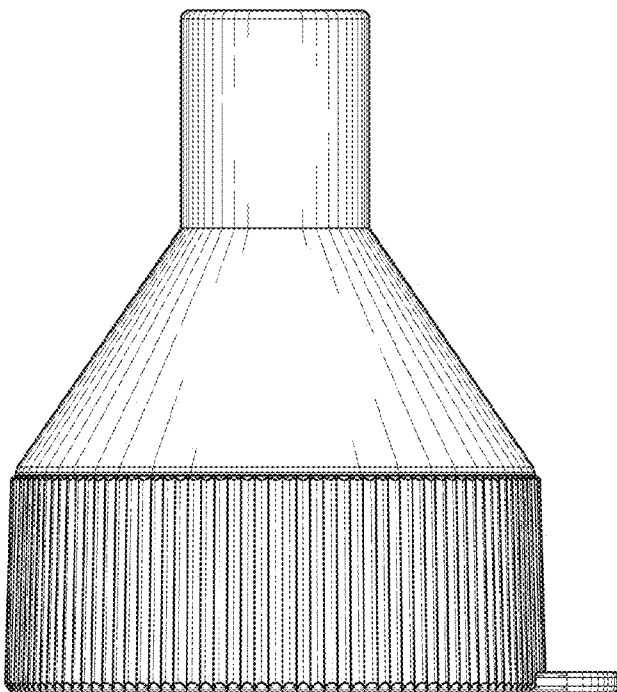


FIG. 10

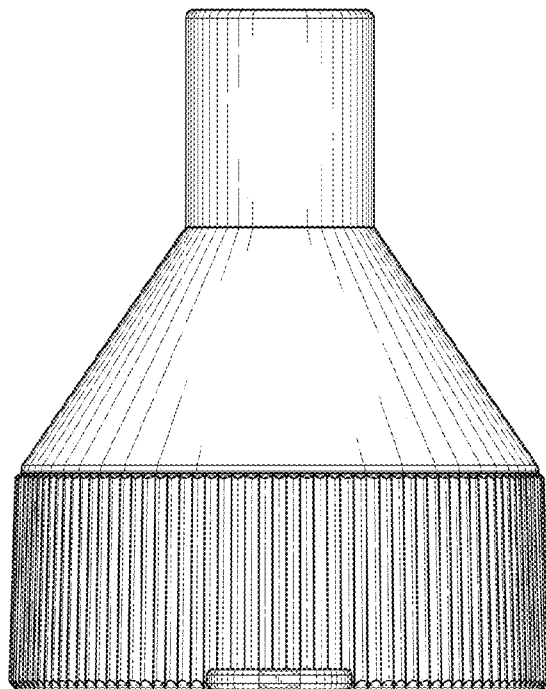


FIG. 11

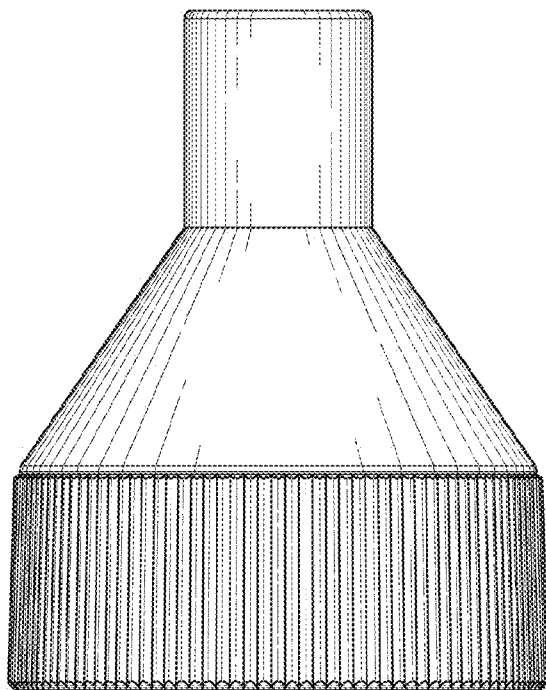


FIG. 12



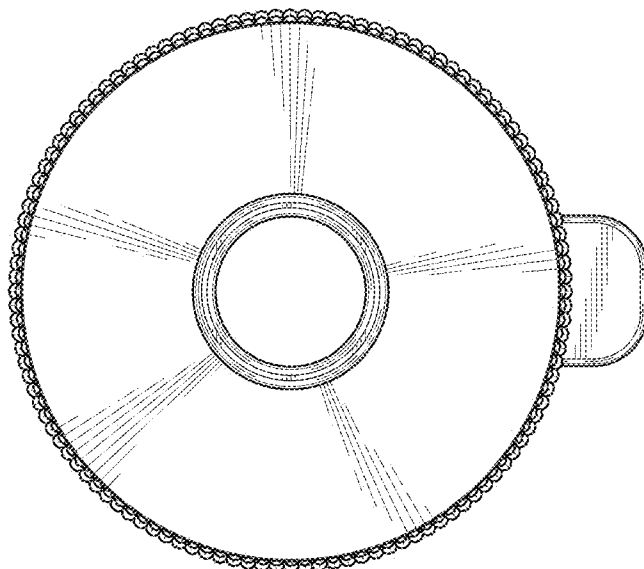


FIG. 13

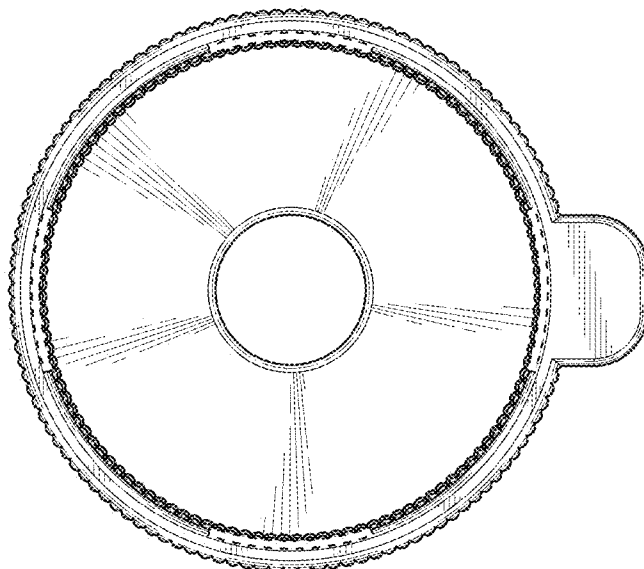


FIG. 14

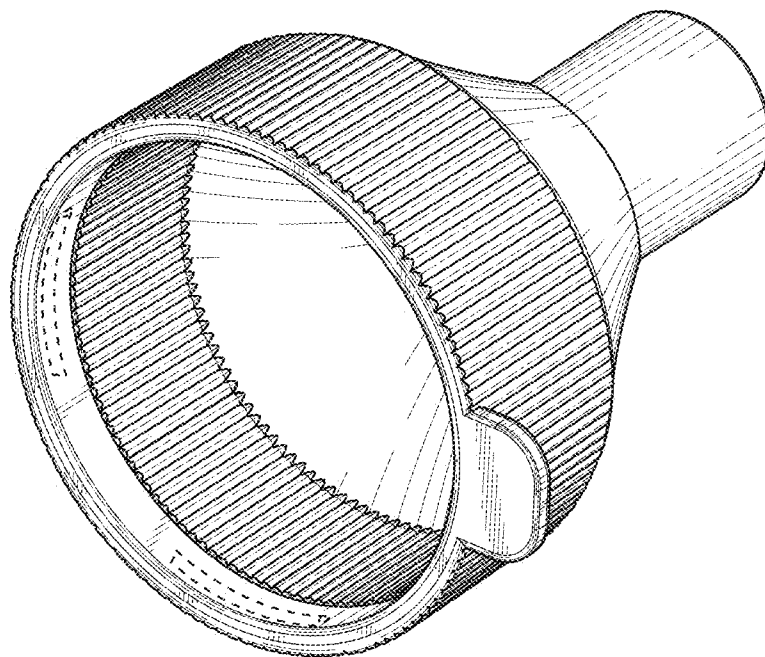


FIG. 15

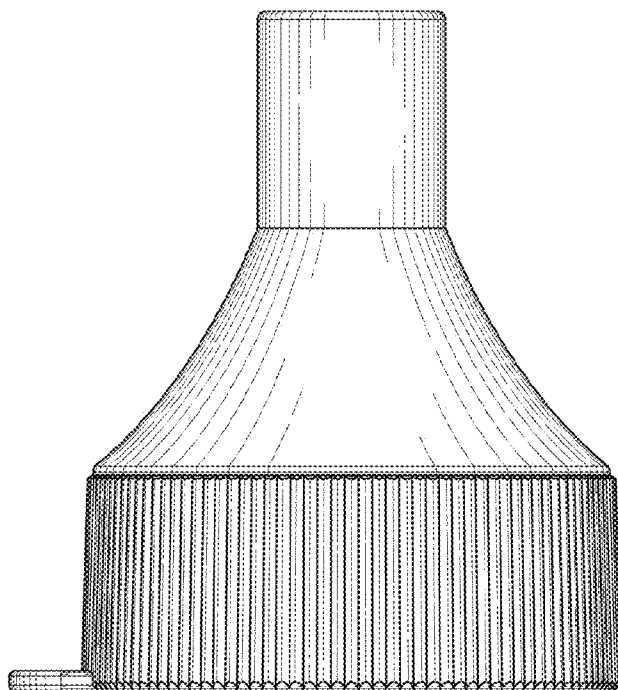


FIG. 16

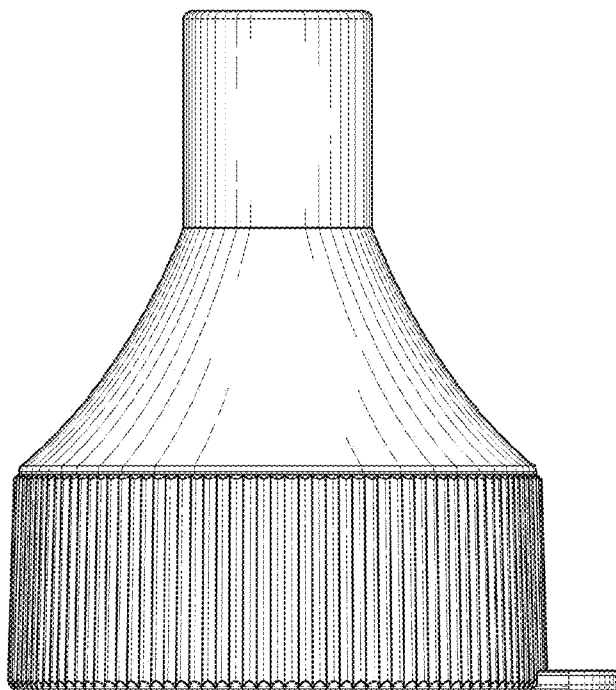


FIG. 17

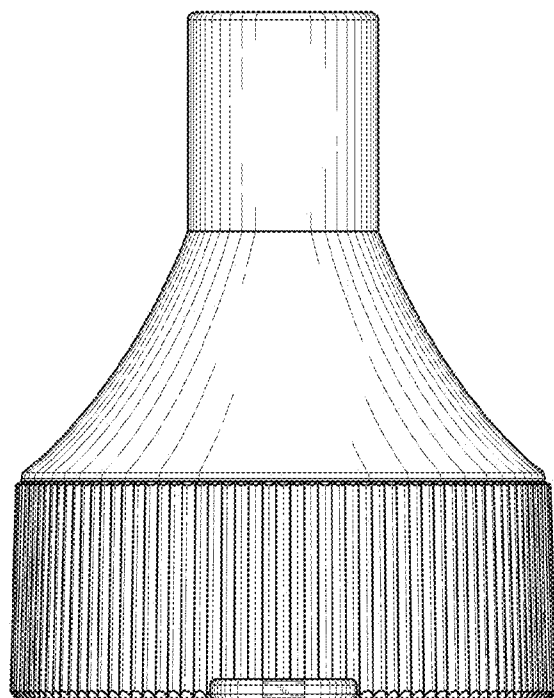


FIG. 18

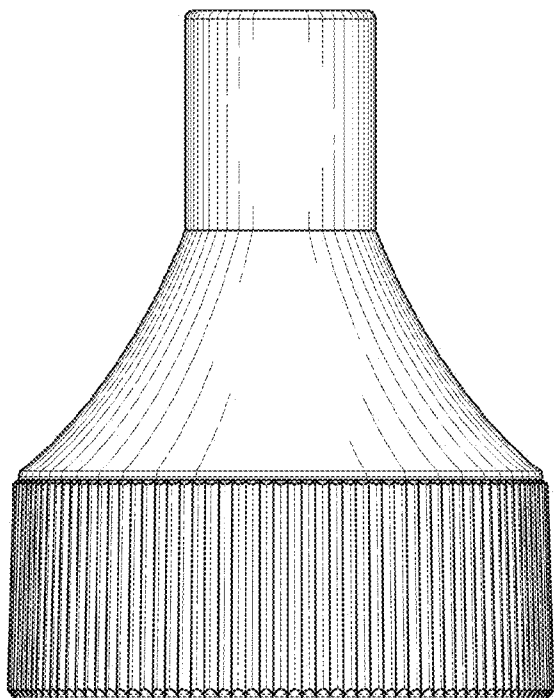


FIG. 19

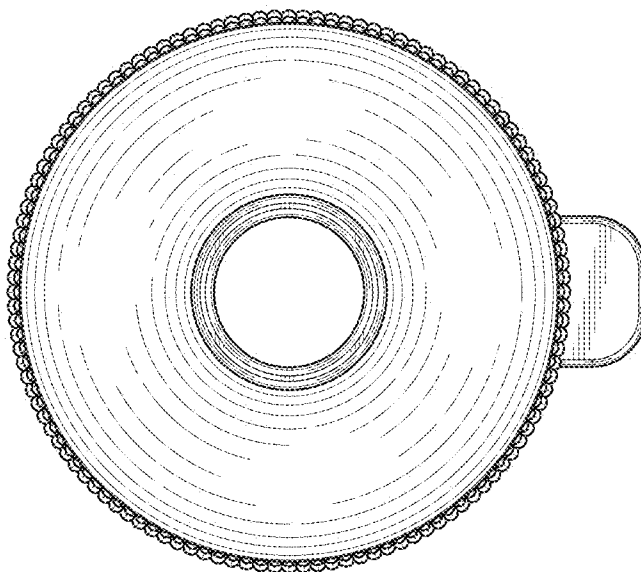


FIG. 20

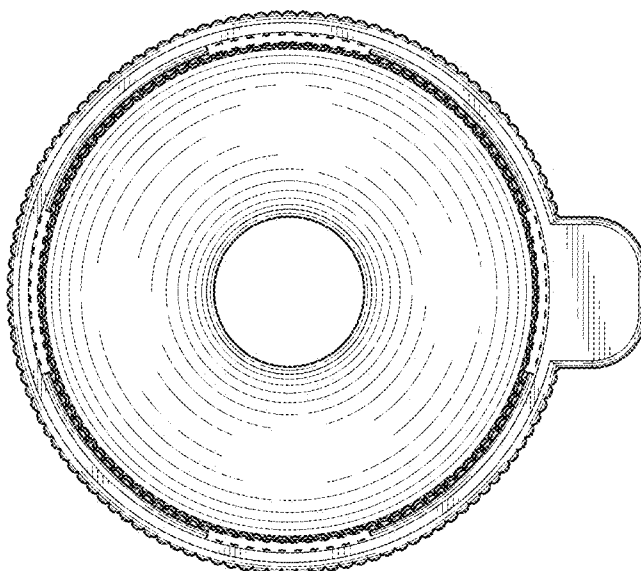


FIG. 21