



US00D821460S

(12) **United States Design Patent**
Kojo

(10) **Patent No.:** **US D821,460 S**

(45) **Date of Patent:** **** Jun. 26, 2018**

(54) **BODY OF CUTTING TOOL FOR
PROCESSING A VALVE SHEET**

(74) *Attorney, Agent, or Firm* — Venable LLP; Michael
A. Sartori; Laura G. Remus

(71) Applicant: **SUMITOMO ELECTRIC
HARDMETAL CORP.**, Itami-shi (JP)

(72) Inventor: **Hidekazu Kojo**, Itami (JP)

(73) Assignee: **SUMITOMO ELECTRIC
HARDMETAL CORP.**, Itami-shi (JP)

(**) Term: **15 Years**

(21) Appl. No.: **29/562,577**

(22) Filed: **Apr. 27, 2016**

(30) **Foreign Application Priority Data**

Oct. 28, 2015 (JP) 2015-023922

(51) **LOC (11) Cl.** **15-09**

(52) **U.S. Cl.**
USPC **D15/139**

(58) **Field of Classification Search**

USPC D8/20, 70; D15/123, 124, 126, 131, 138,
D15/139

CPC B23B 27/14; B23B 27/22; B23B 27/045;
B23B 27/141; B23B 27/143; B23B
2200/321; B29B 9/06; B29C 47/0066

See application file for complete search history.

(56) **References Cited**

U.S. PATENT DOCUMENTS

540,075 A * 5/1895 Shimer B27G 13/10
144/234
4,614,463 A * 9/1986 Hughes B23C 5/22
144/205
D370,489 S * 6/1996 Taggett D15/17
D396,174 S * 7/1998 Schultz D15/17
D424,076 S * 5/2000 Dibbern D15/140
2002/0146293 A1* 10/2002 Nelson B23C 5/202
407/114

(Continued)

Primary Examiner — Patricia A Palasik

(57) **CLAIM**

The ornamental design for a body of cutting tool for processing a valve sheet, as shown and described.

DESCRIPTION

FIG. 1 is a front view of a body of cutting tool for processing a valve sheet showing my new design;

FIG. 2 is a rear view thereof;

FIG. 3 is a top view thereof;

FIG. 4 is a bottom view thereof;

FIG. 5 is a right side view thereof;

FIG. 6 is a left side view thereof;

FIG. 7 is a perspective view thereof;

FIG. 8 is a cross sectional view taken along line VIII-VIII of FIG. 1;

FIG. 9 is a cross sectional view taken along line IX-IX of FIG. 5;

FIG. 10 is a cross sectional view taken along line X-X of FIG. 5;

FIG. 11 is a cross sectional view taken along line XI-XI of FIG. 5;

FIG. 12 is a cross sectional view taken along line XII-XII of FIG. 5;

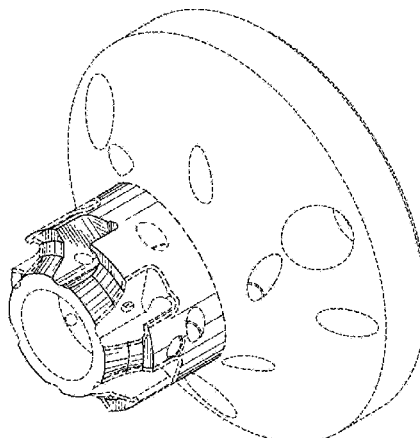
FIG. 13 is an enlarged cross sectional view of XIII-XIII portion of FIG. 8; and,

FIG. 14 is an enlarged cross sectional view of XIV-XIV portion of FIG. 11.

The broken lines shown in the drawings represent portions of the body of cutting tool for processing a valve sheet that form no part of the claimed design.

The long dashed and short dashed line indicates only a boundary between the portion sought to receive design registration as a partial design and the other portions.

1 Claim, 7 Drawing Sheets



(56)

References Cited

U.S. PATENT DOCUMENTS

2008/0317561 A1* 12/2008 Kobatake B23B 31/005
409/232
2009/0080984 A1* 3/2009 Lehmann B23B 29/0341
407/79

* cited by examiner

FIG.1

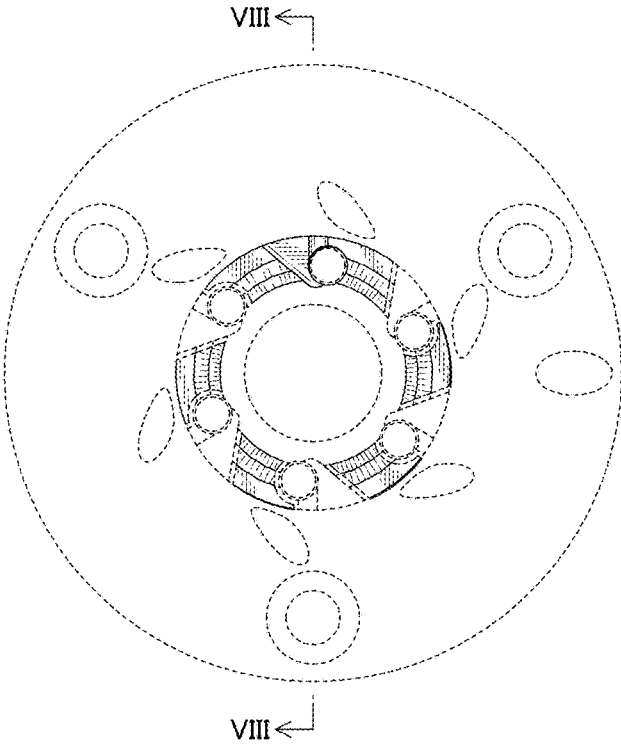


FIG.2

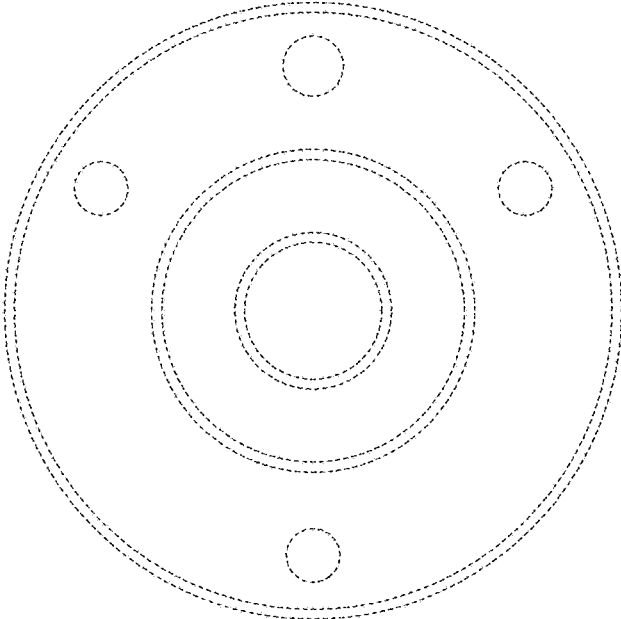


FIG.3

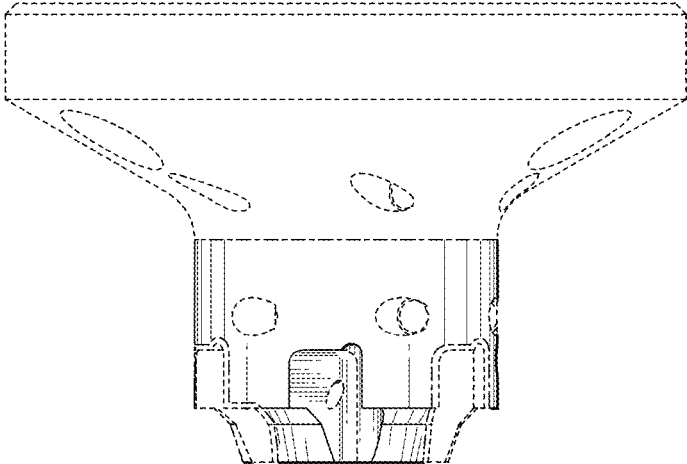


FIG.4

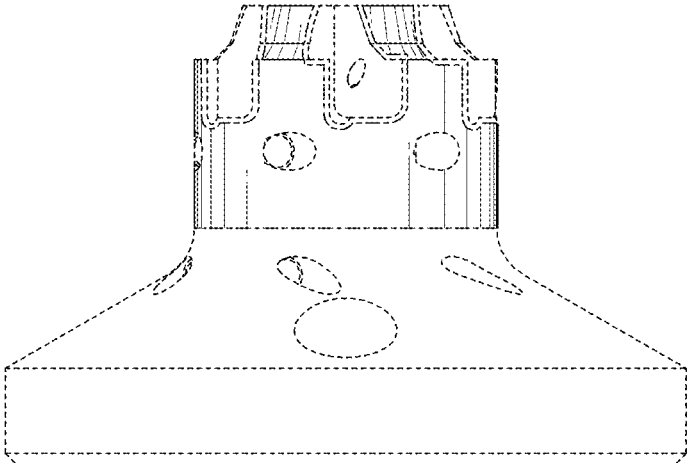


FIG.5

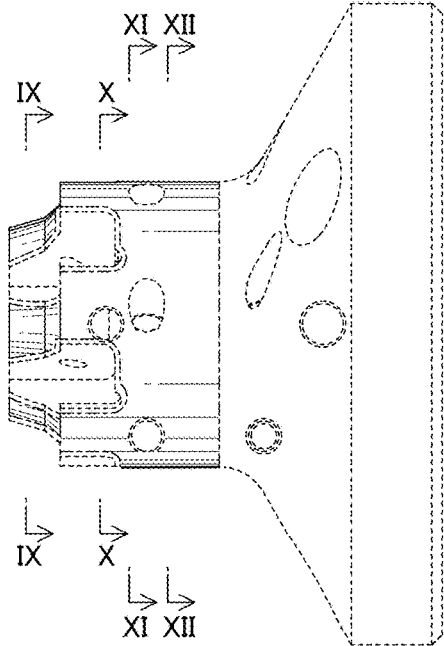
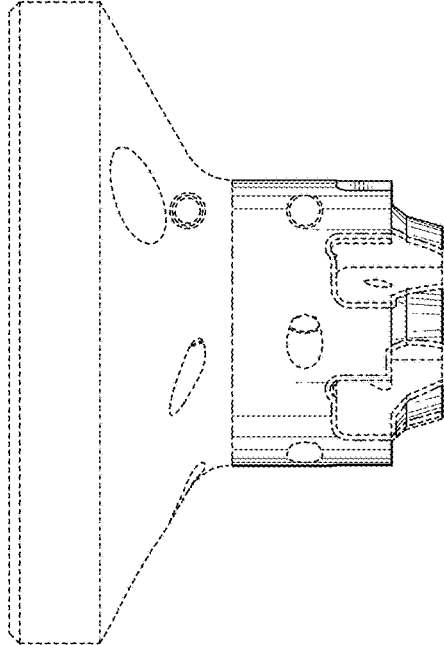


FIG.6



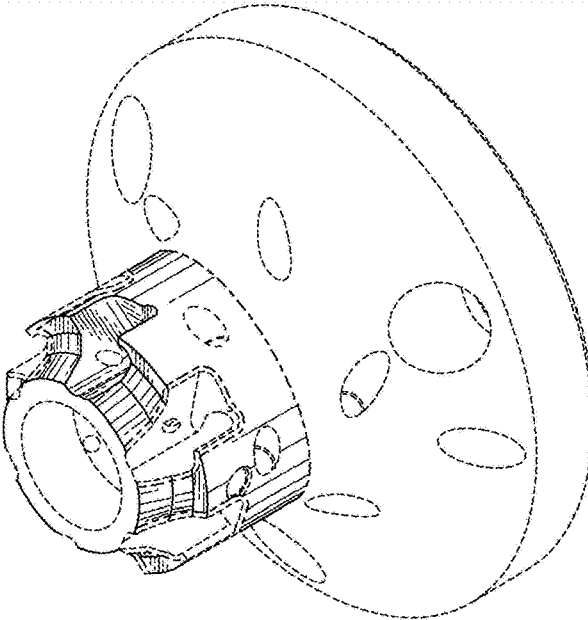


FIG. 7

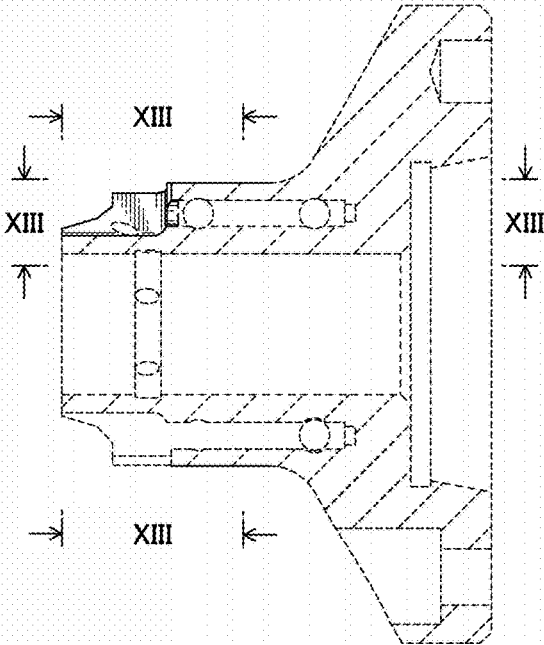


FIG. 8

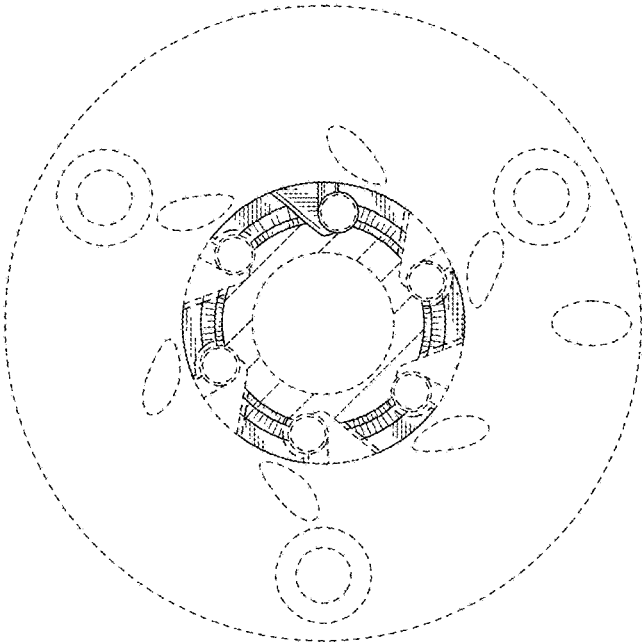


FIG. 9

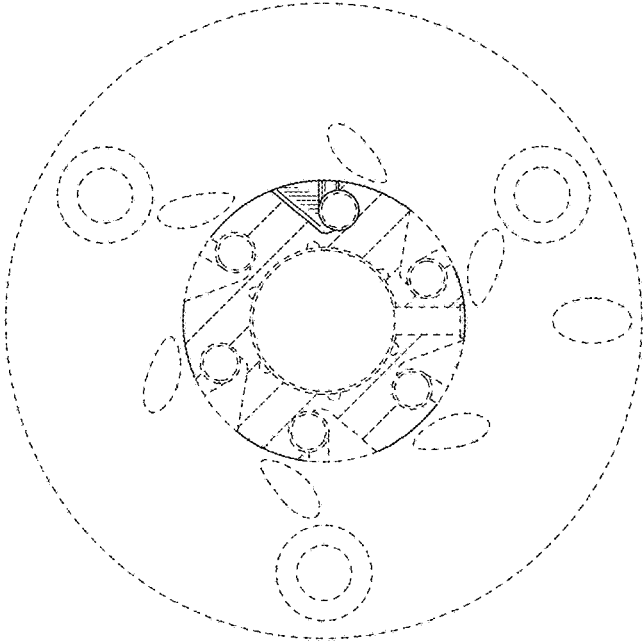


FIG. 10

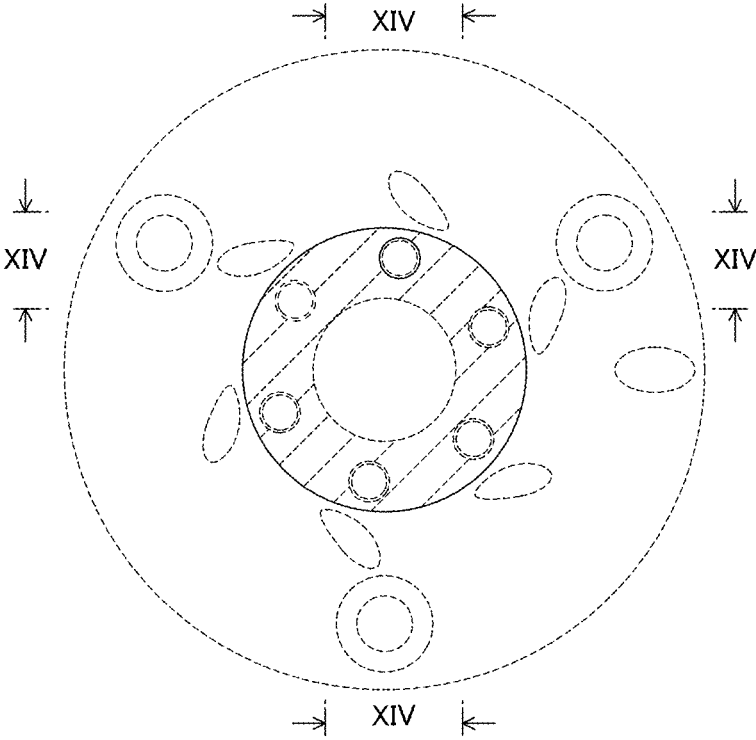


FIG.11

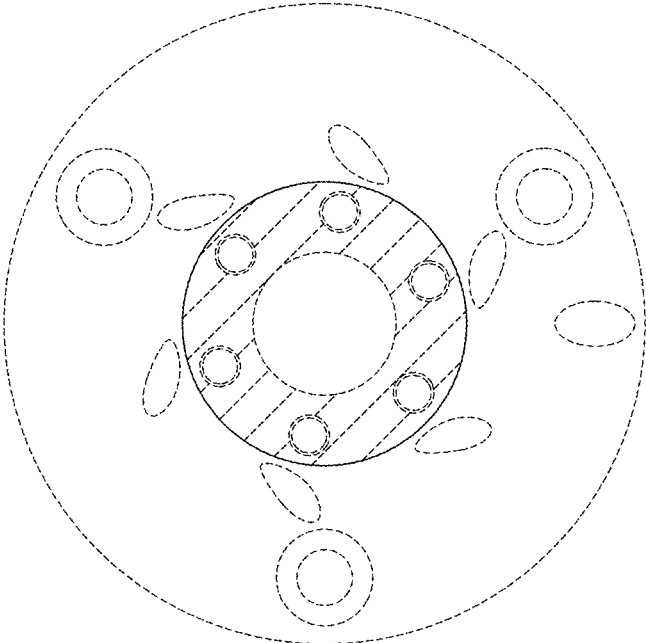


FIG.12

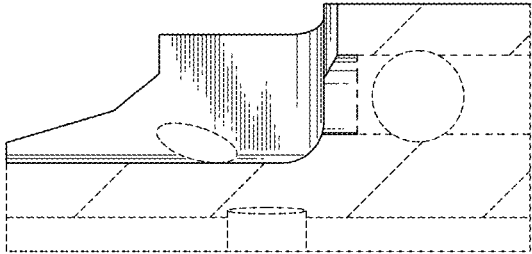


FIG.13

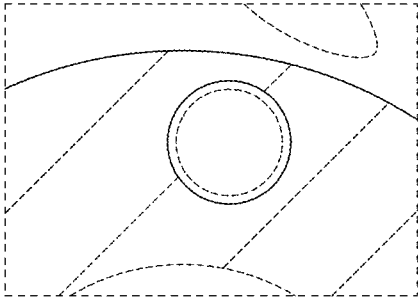


FIG.14