



US00D646992S

(12) **United States Design Patent**  
**Tuli**

(10) **Patent No.:** **US D646,992 S**

(45) **Date of Patent:** **\*\* Oct. 18, 2011**

(54) **LASER LEVEL**

(75) Inventor: **Sanjeev Tuli**, Moonachie, NJ (US)

(73) Assignee: **Style Asia Inc.**, Moonachie, NJ (US)

(\*\*) Term: **14 Years**

(21) Appl. No.: **29/370,688**

(22) Filed: **Aug. 23, 2010**

(51) **LOC (9) Cl.** ..... **10-04**

(52) **U.S. Cl.** ..... **D10/69**

(58) **Field of Classification Search** ..... D10/69;  
33/365, 366.11-366.27, 367-391

See application file for complete search history.

(56) **References Cited**

**U.S. PATENT DOCUMENTS**

D503,635 S \* 4/2005 Kallabis ..... D10/69  
7,472,487 B2 \* 1/2009 Tran et al. .... 33/379

D597,872 S \* 8/2009 Gofer ..... D10/69  
D625,630 S \* 10/2010 Levinson ..... D10/69

\* cited by examiner

*Primary Examiner* — Antoine D Davis

(74) *Attorney, Agent, or Firm* — Galgano & Associates, PLLC; Thomas M. Galgano; Myron Amer

(57) **CLAIM**

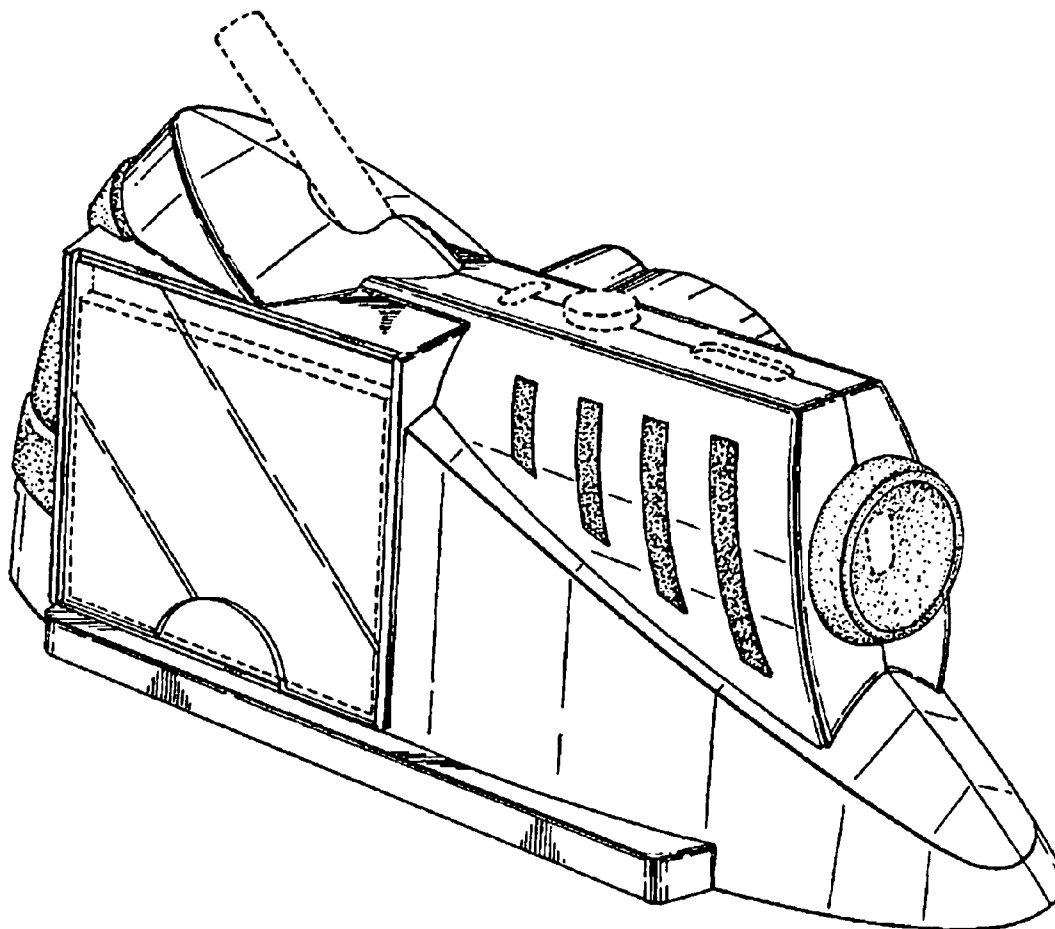
The ornamental design for a laser level, as shown and described.

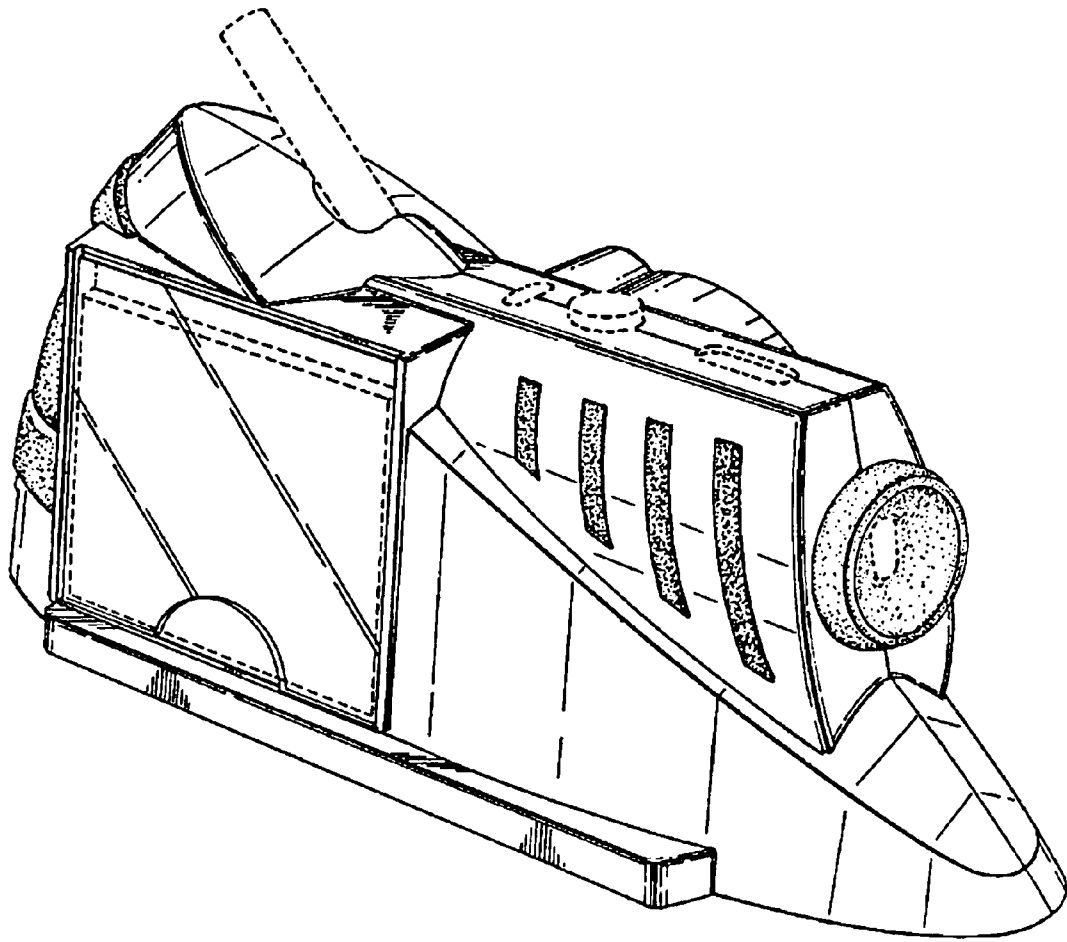
**DESCRIPTION**

FIG. 1 is a perspective view of a laser level;  
FIG. 2 is a left elevational view thereof;  
FIG. 3 is a right elevational view thereof;  
FIG. 4 is a top perspective view thereof;  
FIG. 5 is a bottom view thereof; and  
FIG. 6 is a front view thereof; and,  
FIG. 7 is a rear view thereof.

The broken line showing of structural features is included for the purpose of illustrating non-claimed subject matter and forms no part of the claimed design.

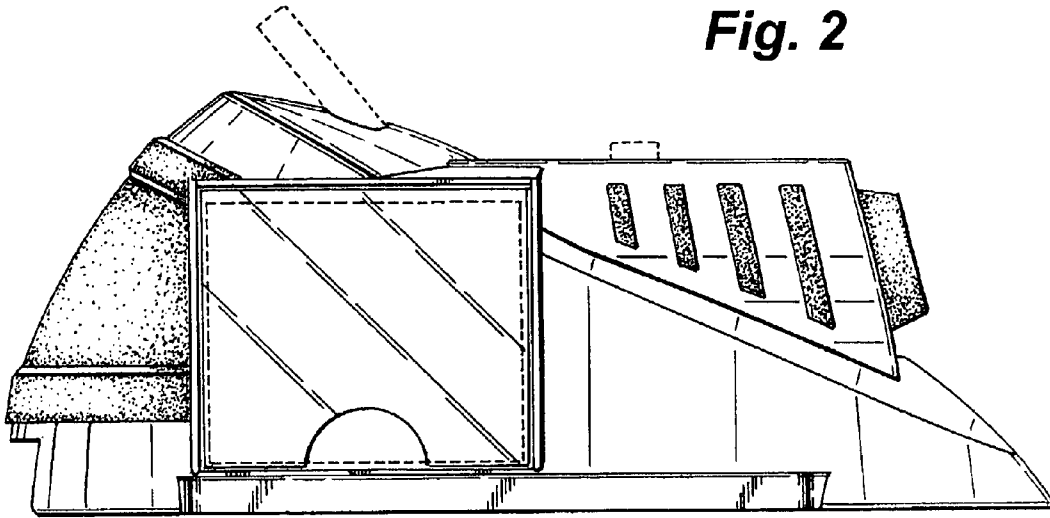
**1 Claim, 4 Drawing Sheets**



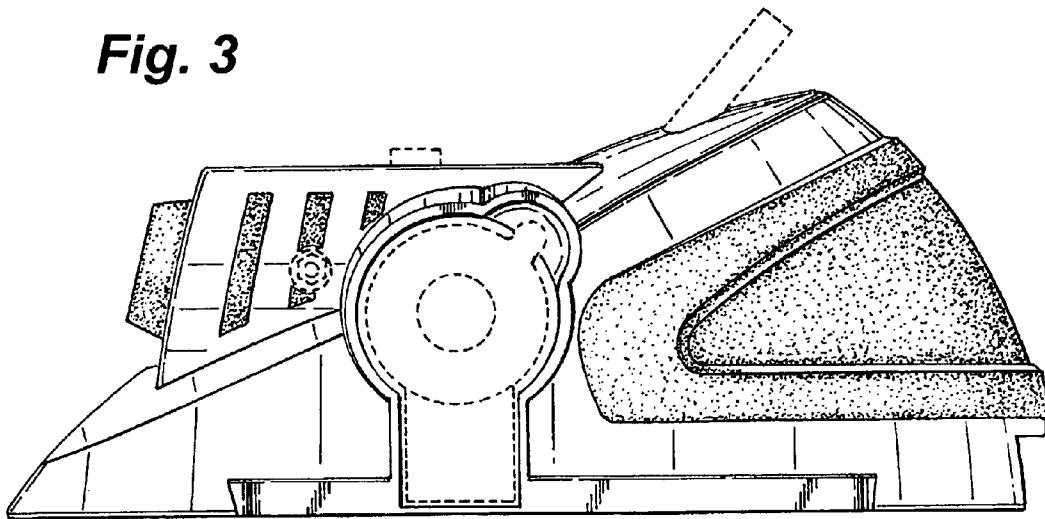


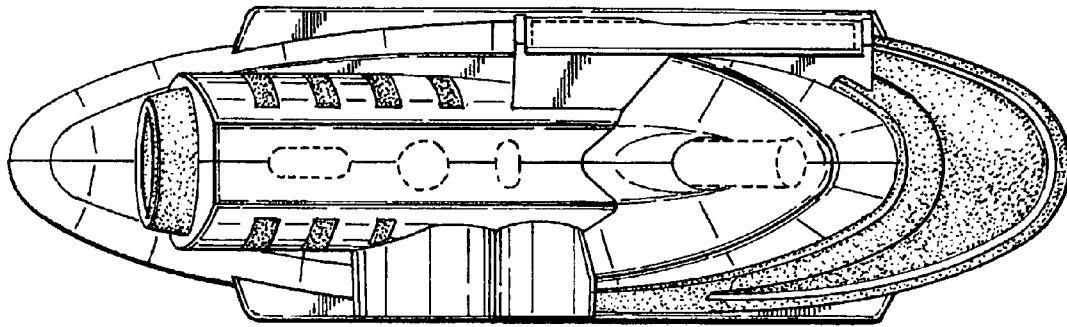
**Fig. 1**

**Fig. 2**

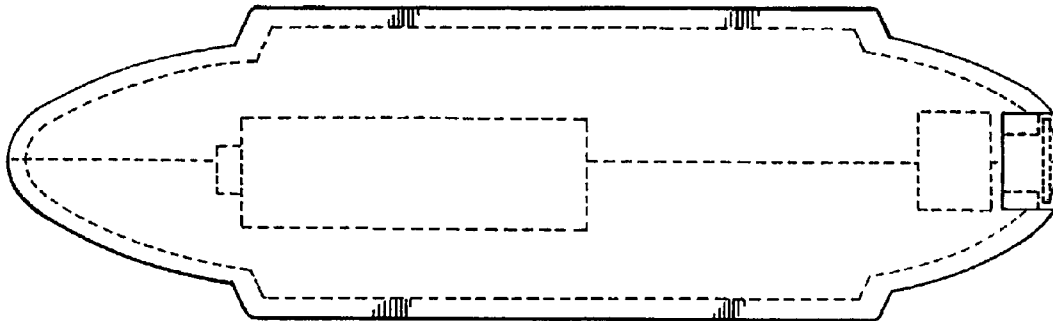


**Fig. 3**

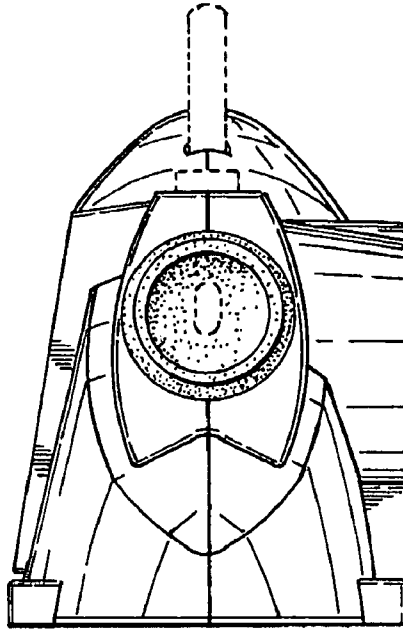




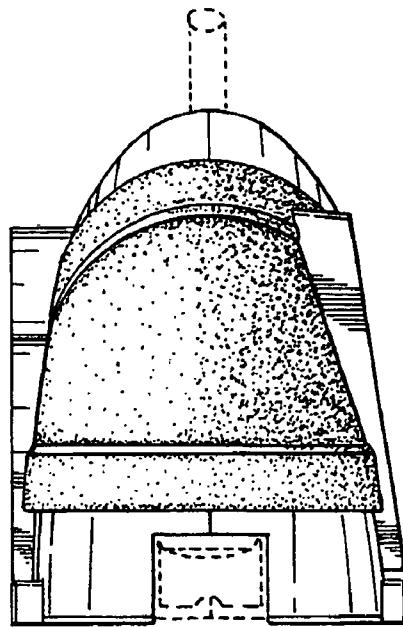
**Fig. 4**



**Fig. 5**



**Fig. 6**



**Fig. 7**