

(19) World Intellectual Property Organization
International Bureau



(43) International Publication Date
16 March 2006 (16.03.2006)

PCT

(10) International Publication Number
WO 2006/029103 A3

- (51) International Patent Classification:
B65C 1/02 (2006.01) B65C 9/28 (2006.01)
B65C 9/18 (2006.01) B65C 9/40 (2006.01)
- (21) International Application Number:
PCT/US2005/031588
- (22) International Filing Date:
2 September 2005 (02.09.2005)
- (25) Filing Language: English
- (26) Publication Language: English
- (30) Priority Data:
60/607,376 3 September 2004 (03.09.2004) US
- (71) Applicant (for all designated States except US): FMC
TECHNOLOGIES, INC. [US/US]; 200 East Randolph
Drive, Chicago, Illinois 60601 (US).
- (72) Inventor; and
- (75) Inventor/Applicant (for US only): CHRISTIE, Kevin,
R. [US/US]; 2730 Valencia Grove Drive, Valrico, Florida
33594 (US).
- (74) Agents: FILBIN, Paul, J. et al.; LEYDIG, VOIT &
MAYER, LTD., Two Prudential Plaza, Suite 4900, 180 N.
Stetson Ave., Chicago, Illinois 60601-6780 (US).

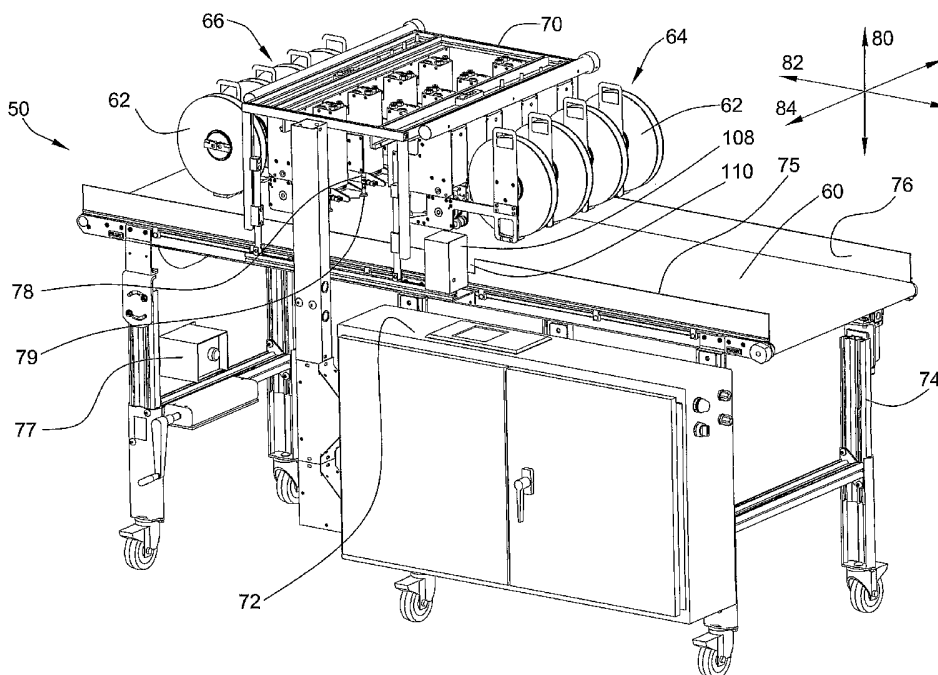
- (81) Designated States (unless otherwise indicated, for every
kind of national protection available): AE, AG, AL, AM,
AT, AU, AZ, BA, BB, BG, BR, BW, BY, BZ, CA, CH, CN,
CO, CR, CU, CZ, DE, DK, DM, DZ, EC, EE, EG, ES, FI,
GB, GD, GE, GH, GM, HR, HU, ID, IL, IN, IS, JP, KE,
KG, KM, KP, KR, KZ, LC, LK, LR, LS, LT, LU, LV, MA,
MD, MG, MK, MN, MW, MX, MZ, NA, NG, NI, NO, NZ,
OM, PG, PH, PL, PT, RO, RU, SC, SD, SE, SG, SK, SL,
SM, SY, TJ, TM, TN, TR, TT, TZ, UA, UG, US, UZ, VC,
VN, YU, ZA, ZM, ZW.
- (84) Designated States (unless otherwise indicated, for every
kind of regional protection available): ARIPO (BW, GH,
GM, KE, LS, MW, MZ, NA, SD, SL, SZ, TZ, UG, ZM,
ZW), Eurasian (AM, AZ, BY, KG, KZ, MD, RU, TJ, TM),
European (AT, BE, BG, CH, CY, CZ, DE, DK, EE, ES, FI,
FR, GB, GR, HU, IE, IS, IT, LT, LU, LV, MC, NL, PL, PT,
RO, SE, SI, SK, TR), OAPI (BF, BJ, CF, CG, CI, CM, GA,
GN, GQ, GW, ML, MR, NE, SN, TD, TG).

Published:

- with international search report
- before the expiration of the time limit for amending the
claims and to be republished in the event of receipt of
amendments

[Continued on next page]

(54) Title: LABELER



(57) Abstract: An improved labeler (62) includes a label base and a label cassette. An electronically-controlled drive mechanism is contained within the labeler base housing and is operated intermittently to synchronously drive a mechanism (182) for feeding labels to be picked up by an applicator head (78) that is reciprocally movable along a linear axis and to be placed upon the articles being labeled.

WO 2006/029103 A3



(88) Date of publication of the international search report:

15 June 2006

For two-letter codes and other abbreviations, refer to the "Guidance Notes on Codes and Abbreviations" appearing at the beginning of each regular issue of the PCT Gazette.

INTERNATIONAL SEARCH REPORT

International application No

PCT/US2005/031588

A. CLASSIFICATION OF SUBJECT MATTER

INV. B65C1/02 B65C9/18 B65C9/28 B65C9/40

According to International Patent Classification (IPC) or to both national classification and IPC

B. FIELDS SEARCHED

Minimum documentation searched (classification system followed by classification symbols)

B65C

Documentation searched other than minimum documentation to the extent that such documents are included in the fields searched

Electronic data base consulted during the international search (name of data base and, where practical, search terms used)

EPO-Internal

C. DOCUMENTS CONSIDERED TO BE RELEVANT

Category*	Citation of document, with indication, where appropriate, of the relevant passages	Relevant to claim No.
X	US 5 938 890 A (SCHLINKMANN ET AL) 17 August 1999 (1999-08-17)	1-3, 8-25, 38-40, 57,58
Y	column 2, line 27 - column 3, line 28; figures 1-3	4-7, 26-37, 41-56
Y	----- US 4 648 930 A (LA MERS ET AL) 10 March 1987 (1987-03-10) figures	4-7, 26-37
Y	----- EP 0 113 256 A (SINCLAIR INTERNATIONAL LIMITED; SINCLAIR INTERNATIONAL LIMITED) 11 July 1984 (1984-07-11) figures 1,2	41-56
	----- -/--	

 Further documents are listed in the continuation of Box C. See patent family annex.

* Special categories of cited documents :

"A" document defining the general state of the art which is not considered to be of particular relevance

"E" earlier document but published on or after the international filing date

"L" document which may throw doubts on priority claim(s) or which is cited to establish the publication date of another citation or other special reason (as specified)

"O" document referring to an oral disclosure, use, exhibition or other means

"P" document published prior to the international filing date but later than the priority date claimed

"T" later document published after the international filing date or priority date and not in conflict with the application but cited to understand the principle or theory underlying the invention

"X" document of particular relevance; the claimed invention cannot be considered novel or cannot be considered to involve an inventive step when the document is taken alone

"Y" document of particular relevance; the claimed invention cannot be considered to involve an inventive step when the document is combined with one or more other such documents, such combination being obvious to a person skilled in the art.

"&" document member of the same patent family

Date of the actual completion of the international search

13 December 2005

Date of mailing of the international search report

25 04 2006

Name and mailing address of the ISA/

European Patent Office, P.B. 5818 Patentlaan 2
NL - 2280 HV Rijswijk
Tel. (+31-70) 340-2040, Tx. 31 651 epo nl,
Fax: (+31-70) 340-3016

Authorized officer

Martínez Navarro, A.

INTERNATIONAL SEARCH REPORT

International application No

PCT/US2005/031588

C(Continuation). DOCUMENTS CONSIDERED TO BE RELEVANT

Category*	Citation of document, with indication, where appropriate, of the relevant passages	Relevant to claim No.
X	US 2003/127195 A1 (BARBOSA VALDEMAR) 10 July 2003 (2003-07-10) figure 1 -----	59
X	US 3 721 352 A (MESSMER E) 20 March 1973 (1973-03-20) the whole document -----	1
X	EP 0 541 378 A (AUTOMATED PACKAGING SYSTEMS, INC) 12 May 1993 (1993-05-12) the whole document -----	1
X	US 4 255 220 A (KUCHECK ET AL) 10 March 1981 (1981-03-10) the whole document -----	1
X	US 6 516 854 B1 (TSAI MENG-CHI) 11 February 2003 (2003-02-11) the whole document -----	1
A	FR 2 817 838 A (MC3) 14 June 2002 (2002-06-14) -----	
A	US 2002/189741 A1 (NIELSEN PETER C ET AL) 19 December 2002 (2002-12-19) -----	
A	US 6 349 755 B1 (SARDO STEFANO) 26 February 2002 (2002-02-26) -----	
A	US 2001/037853 A1 (ANDERSON DAVID N ET AL) 8 November 2001 (2001-11-08) cited in the application -----	

INTERNATIONAL SEARCH REPORT

Information on patent family members

International application No

PCT/US2005/031588

Patent document cited in search report		Publication date	Patent family member(s)	Publication date
US 5938890	A	17-08-1999	WO 0000398 A1	06-01-2000
US 4648930	A	10-03-1987	NONE	
EP 0113256	A	11-07-1984	DE 3382825 D1 ES 8501700 A1 IL 70608 A NZ 206735 A ZA 8309663 A	20-05-1999 01-03-1985 16-09-1987 11-10-1985 29-08-1984
US 2003127195	A1	10-07-2003	NONE	
US 3721352	A	20-03-1973	CA 940331 A1 DE 2229205 A1 FR 2149904 A5 GB 1345656 A IT 962919 B JP 48026400 A	22-01-1974 15-02-1973 30-03-1973 30-01-1974 31-12-1973 06-04-1973
EP 0541378	A	12-05-1993	AT 147344 T CA 2082082 A1 DE 69216556 D1 US 5304264 A	15-01-1997 06-05-1993 20-02-1997 19-04-1994
US 4255220	A	10-03-1981	NONE	
US 6516854	B1	11-02-2003	NONE	
FR 2817838	A	14-06-2002	NONE	
US 2002189741	A1	19-12-2002	WO 02102669 A2 CA 2450738 A1 EP 1401714 A2 MX PA03011969 A US 2004089423 A1	27-12-2002 27-12-2002 31-03-2004 08-04-2005 13-05-2004
US 6349755	B1	26-02-2002	EP 1067360 A1 FR 2796143 A1	10-01-2001 12-01-2001
US 2001037853	A1	08-11-2001	NONE	

INTERNATIONAL SEARCH REPORT

International application No.
PCT/US2005/031588

Box II Observations where certain claims were found unsearchable (Continuation of item 2 of first sheet)

This International Search Report has not been established in respect of certain claims under Article 17(2)(a) for the following reasons:

1. Claims Nos.:
because they relate to subject matter not required to be searched by this Authority, namely:

2. Claims Nos.:
because they relate to parts of the International Application that do not comply with the prescribed requirements to such an extent that no meaningful International Search can be carried out, specifically:

3. Claims Nos.:
because they are dependent claims and are not drafted in accordance with the second and third sentences of Rule 6.4(a).

Box III Observations where unity of invention is lacking (Continuation of item 3 of first sheet)

This International Searching Authority found multiple inventions in this international application, as follows:

see additional sheet

1. As all required additional search fees were timely paid by the applicant, this International Search Report covers all searchable claims.
2. As all searchable claims could be searched without effort justifying an additional fee, this Authority did not invite payment of any additional fee.
3. As only some of the required additional search fees were timely paid by the applicant, this International Search Report covers only those claims for which fees were paid, specifically claims Nos.:
4. No required additional search fees were timely paid by the applicant. Consequently, this International Search Report is restricted to the invention first mentioned in the claims; it is covered by claims Nos.:

1-59

Remark on Protest

- The additional search fees were accompanied by the applicant's protest.
- No protest accompanied the payment of additional search fees.

FURTHER INFORMATION CONTINUED FROM PCT/ISA/ 210

This International Searching Authority found multiple (groups of) inventions in this international application, as follows:

1. claims: 1-59

Labeler having and end effector

2. claims: 60-63

Labeler applying labels of different size
