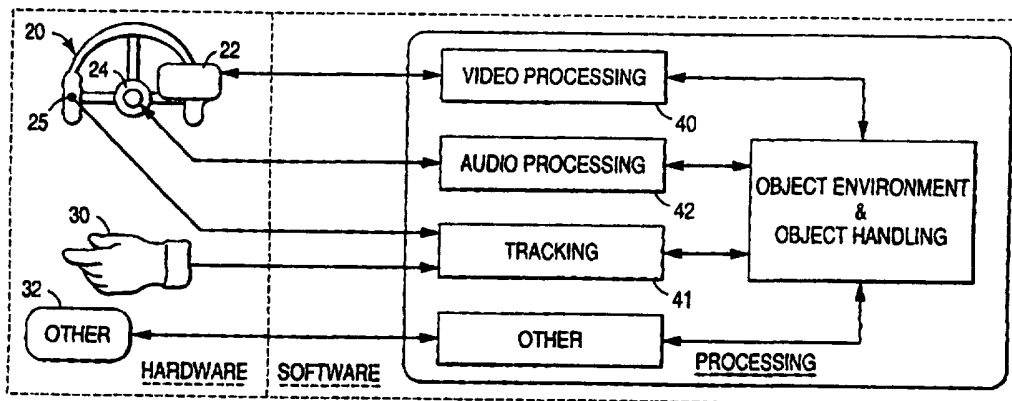




INTERNATIONAL APPLICATION PUBLISHED UNDER THE PATENT COOPERATION TREATY (PCT)

<p>(51) International Patent Classification ⁶ : A63G 31/00, 31/16, A63J 5/02, G09B 3/00, 5/00, 7/00, 9/00, 9/02, 9/04, 9/08, 9/14, 19/00, 19/14, 19/16, G06G 7/48</p>	<p>A1</p>	<p>(11) International Publication Number: WO 97/37738 (43) International Publication Date: 16 October 1997 (16.10.97)</p>
<p>(21) International Application Number: PCT/US97/04880 (22) International Filing Date: 26 March 1997 (26.03.97) (30) Priority Data: 08/622,756 27 March 1996 (27.03.96) US (71) Applicants: EMORY UNIVERSITY [US/US]; 2009 Ridgewood Drive, Atlanta, GA 30322 (US). GEORGIA TECH RESEARCH CORPORATION [US/US]; Centennial Research Building, 400 Tenth Street, Atlanta, GA 30332 (US). (72) Inventors: HODGES, Larry, F.; 3820 Forest Dawn Court, Lithonia, GA 30058 (US). ROTHBAUM, Barbara, O.; 2371 Canna Ridge Circle, Atlanta, GA 30345 (US). (74) Agents: GOLDMAN, Joel, S. et al.; Troutman Sanders L.L.P., Suite 5200, NationsBank Plaza, 600 Peachtree Street, Atlanta, GA 30308 (US).</p>	<p>(81) Designated States: AU, CA, JP, European patent (AT, BE, CH, DE, DK, ES, FI, FR, GB, GR, IE, IT, LU, MC, NL, PT, SE). Published <i>With international search report. Before the expiration of the time limit for amending the claims and to be republished in the event of the receipt of amendments.</i></p>	

(54) Title: SYSTEM FOR TREATING PATIENTS WITH ANXIETY DISORDERS



(57) Abstract

A virtual reality system provides effective exposure treatment for psychiatric patients suffering from a particular anxiety disorder. The system is characterized by a video screen (22) disposed in front of the patient to display an image of a specific graphical environment that is intended to trigger anxiety within the patient as a result of the particular patient phobia. A headset (20) is worn by the patient, and has sensors (25) disposed to detect movement and positioning of the patient's head. A computer program controls the operation of the system, and is designed to control the display of the graphical environment on the video screen, monitor the headset sensors, determine the position of the patient's head, and controllably manipulate the graphical environment displayed on the video screen to reflect the movement and position of the patient's head. In a preferred embodiment, a sensor is provided to automatically detect a level of patient anxiety. The computer program is designed to monitor this sensor, and controllably manipulate the graphical environment displayed on the video screen in response thereto. In other embodiments, sound and tactile feedback are provided to further enhance the graphic emulation.

FOR THE PURPOSES OF INFORMATION ONLY

Codes used to identify States party to the PCT on the front pages of pamphlets publishing international applications under the PCT.

AL	Albania	ES	Spain	LS	Lesotho	SI	Slovenia
AM	Armenia	FI	Finland	LT	Lithuania	SK	Slovakia
AT	Austria	FR	France	LU	Luxembourg	SN	Senegal
AU	Australia	GA	Gabon	LV	Latvia	SZ	Swaziland
AZ	Azerbaijan	GB	United Kingdom	MC	Monaco	TD	Chad
BA	Bosnia and Herzegovina	GE	Georgia	MD	Republic of Moldova	TG	Togo
BB	Barbados	GH	Ghana	MG	Madagascar	TJ	Tajikistan
BE	Belgium	GN	Guinea	MK	The former Yugoslav Republic of Macedonia	TM	Turkmenistan
BF	Burkina Faso	GR	Greece			TR	Turkey
BG	Bulgaria	HU	Hungary	ML	Mali	TT	Trinidad and Tobago
BJ	Benin	IE	Ireland	MN	Mongolia	UA	Ukraine
BR	Brazil	IL	Israel	MR	Mauritania	UG	Uganda
BY	Belarus	IS	Iceland	MW	Malawi	US	United States of America
CA	Canada	IT	Italy	MX	Mexico	UZ	Uzbekistan
CF	Central African Republic	JP	Japan	NE	Niger	VN	Viet Nam
CG	Congo	KE	Kenya	NL	Netherlands	YU	Yugoslavia
CH	Switzerland	KG	Kyrgyzstan	NO	Norway	ZW	Zimbabwe
CI	Côte d'Ivoire	KP	Democratic People's Republic of Korea	NZ	New Zealand		
CM	Cameroon			PL	Poland		
CN	China	KR	Republic of Korea	PT	Portugal		
CU	Cuba	KZ	Kazakistan	RO	Romania		
CZ	Czech Republic	LC	Saint Lucia	RU	Russian Federation		
DE	Germany	LI	Liechtenstein	SD	Sudan		
DK	Denmark	LK	Sri Lanka	SE	Sweden		
EE	Estonia	LR	Liberia	SG	Singapore		

SYSTEM FOR TREATING PATIENTS WITH ANXIETY DISORDERS

Technical Field

The present invention generally relates to psychiatric treatment of patients with phobias, and more particularly to a system for providing exposure therapy for psychiatric treatment of patients having various phobias.

Background Art

As is well known, people from all walks of life are known to suffer from a wide variety of phobias or related anxiety disorders. Simply defined, a phobia is an irrational fear of an object, activity, or situation that leads to a compelling desire to avoid it -- e.g., fear of heights. Not only are there a wide variety of phobias, but any given type may manifest itself differently, or to a different degree, in different persons. Therefore, treatment programs are generally tailored individually to specific patients. Nevertheless, certain generalities in regard to treatment programs can be made.

Namely, exposure theory espouses the view that patients suffering from a particular phobia can be treated to successfully manage that phobia by repeated exposure to the particular situation. For example, patients suffering from acrophobia (fear of heights) may be treated by exposure to high places. Elevators, balconies, building windows, bridges, and airplanes are environments where a patient being treated for acrophobia may be deployed. Although the degree of success varies from patient to patient, exposure therapy has been proven effective in many cases and controlled studies.

A more particular derivation of exposure therapy is referred to as "graded exposure therapy", whereby a patient is exposed to particular situations in gradations of gradual but increasing severity. For example, an acrophobic patient may be treated by leading the person to a first floor balcony. While the initial deployment may result in relatively high levels of anxiety, it has been found that the anxiety level will typically subside after a patient has spent some period of time in the environment. Therefore, after the patient has spent some time on the first floor balcony, and has reached some level of comfort in that position, he may then be led to a second floor balcony, and so on. In this way, the patient may be continually moved to higher and higher elevations, allowing the anxiety level to subside at each level before continuing. Repeated sessions of treatment in this manner

(i.e., graded exposure) have been found to successfully help patients in facing and managing phobias. It is, moreover, desired to vary the treatment environment. In one session, a patient may be gradually led to successive balcony floors as described above. In a subsequent session, that same patient may be led up multiple flights of stairs, elevated up several floors in an elevator or exposed to some other environment.

Typically, there are two categories or methods by which exposure therapy is practiced: in vivo and imaginal. Pursuant to the in vivo (i.e., "real life") approach, patients are exposed to real situations and stimuli. In contrast, the imaginal method is practiced by having patients imagine particular situations or scenarios. For example, in a treatment method known as systematic desensitization, a patient is instructed to relax, then imagine a stimuli for a situation that causes anxiety, relax again, then stop imagining. These steps are repeated and as the levels of patient anxiety begin to subside, the patient is asked to imagine a different scenario that provokes higher levels of anxiety.

While both in vivo and imaginal therapy has proven effective for treating different patients, both are characterized by various shortcomings. Notably, in vivo treatment is typically time consuming and therefore costly. In this approach, the patient must be taken from the therapist's office and deployed in real life settings, which excessively consumes the therapist's time and is therefore costly. In addition, subjecting the patient to situations outside the office (e.g., public places) compromises the doctor patient confidentiality and may be embarrassing for the patient. As a result, many patients are unwilling to undergo such therapy and go untreated. Moreover, in certain treatment environments such as an elevator or an airplane, the environment is not under patient or therapist control, often resulting in excessive levels of anxiety on the part of the patient, which may be counter-productive for the therapy.

Likewise, the imaginal method of treatment suffers from shortcomings of its own. Most notably, this method has proven to be largely ineffective for patients with very poor imaginations. Like the in vivo method, the imaginal method is often time consuming and expensive, as it may take excessive amounts of time for the patients to imagine scenarios to adequately invoke episodes of anxiety for proper treatment. In addition, patients may find it often difficult to sustain the imagined scenario once high levels of anxiety have set in.

Although the specific examples set forth above detail scenarios and environments for treating acrophobic patients, it is appreciated that exposure therapy has been widely used in a variety of phobias and anxiety disorders.

Disclosure of the Invention

Accordingly, a primary object of the present invention is to provide an improved system and method for treating patients using exposure therapy.

A more specific object of the present invention is to provide a system for effecting exposure therapy on patients within the confines of a doctor's office.

Another object of the present invention is to provide a system for effecting exposure therapy in a timely and therefore cost-effective manner.

Additional objects, advantages and other novel features of the invention will be set forth in part in the description that follows and in part will become apparent to those skilled in the art upon examination of the following or may be learned with the practice of the invention. The objects and advantages of the invention may be realized and obtained by means of the instrumentalities and combinations particularly pointed out in the appended claims.

To achieve the foregoing and other objects, the present invention is generally directed to a virtual reality system for treating patients with a particular anxiety disorder. Principally, the system includes a video screen for displaying a graphical environment, a headset worn by the patient and having sensors disposed to detect movement and positioning of the patient's head, and a computer program for controlling the operation of the system. More particularly, the computer program controls the graphical display on the video screen, so as to present a particular graphical environment that is targeted for a particular patient feared stimulus to elicit responsive anxiety from that patient. As is known in virtual reality systems, the computer program monitors the sensors associated with the headset to determine the position and movement of the patient's head. In response, the program controls the graphical display on the video screen accordingly. In accordance with one aspect of the present invention, means are provided for sensing or detecting patient anxiety. This feature may be provided by a sensor that monitors the patients pulse rate or alternatively blood pressure, whereby increasing pulse rate or blood pressure indicates increasing levels of anxiety. Alternatively, an electrodermal (or

galvanic skin response) sensor may be provided to monitor perspiration levels of the patient, whereby increased perspiration indicates increased anxiety. In yet another embodiment, the therapist may monitor the patient's anxiety, either by observing visible indications, or by talking with the patient and being told when the patient is uncomfortably anxious using the Subjective Units of Discomfort (SUDS) anxiety scale. A separate video screen may be provided for the therapist to monitor, so that the therapist can better control the emulated environment. For example, one virtual environment presents an elevator for treating acrophobic patients. By visually monitoring the graphical environment presented to the patient, the therapist can better control the movement and height of the "virtual" elevator, using the patient's anxiety level to guide the height of the elevator.

In accordance with another aspect of invention, tactile feedback is provided to further enhance the "virtual" environment. In this regard, physical objects may be statically displayed within the reach of the patient, that correspond in placement with visible objects displayed on the video screen. Patients may, therefore, touch objects that are displayed in the image to further enhance the effect of the virtual scene. Alternatively, sound or vibratory feedback may be provided. In one embodiment of the present invention, the interior of an aircraft, including a view from a window, is graphically displayed on the video screen for treating patients who have a fear of flying. Sound corresponding to aircraft engine noise may be provided to enhance the visible scene. In addition, the patient may view this scene from a seated position to emulate a seat on the aircraft. The seat may, correspondingly, be vibrated in accordance with sound vibrations and graphic perturbations (indicative of the aircraft having a bumpy ride) . This too reinforces the virtual environment presented to the patient, and enhances the results of the therapy session.

In accordance with a related aspect of the present invention, the sound generated and directed to the patient may be controllably affected by movement of the patient's head. Just as the computer program is designed to monitor a headset worn by the patient to controllably manipulate the graphical image displayed on the video screen, the program may likewise control the presentation of sound to the patient. Therefore, not only will the sound be varied in a corresponding relation to the changing scene displayed on the video screen, but it may also be varied (in volume and direction) in accordance with movement of the patient's head.

Brief Description of the Drawings

The accompanying drawings incorporated in and forming a part of the specification, illustrate several aspects of the present invention, and together with the description serve to explain the principles of the invention. In the drawings:

Figure 1 is a block diagram illustrating the principal hardware and software components in a virtual reality system;

FIG. 2 is a block diagram depicting the interrelation of the principal hardware and software components of a virtual reality system utilized in connection with the present invention;

FIG. 3 is a software flowchart illustrating the top-level operation of the present invention;

FIG. 4 is a block diagram illustrating the principal hardware components of an embodiment constructed in accordance with one aspect of the present invention;

FIG. 5 is a software flowchart illustrating the operation of an embodiment constructed in accordance with one aspect of the present invention;

FIG. 6 is a software flowchart illustrating the operation of an embodiment constructed in accordance with one aspect of the present invention;

FIG. 7 is a state diagram illustrating the operation of an embodiment constructed in accordance with one aspect of the present invention;

FIGS. 8A-8D are facsimiles of screen displays illustrating a virtual embodiment of one embodiment of the present invention;

FIG. 9 is a facsimile of a screen display illustrating a virtual embodiment of one embodiment of the present invention;

FIG. 10 is a facsimile of a screen display illustrating a virtual embodiment of one embodiment of the present invention;

FIG. 11 is a block diagram illustrating the principal hardware components of an embodiment constructed in accordance with one aspect of the present invention;

FIG. 12 is a software flowchart illustrating the operation of an embodiment constructed in accordance with one aspect of the present invention;

FIG. 13 is a state diagram illustrating the operation of an embodiment constructed in accordance with one aspect of the present invention;

FIG. 14 is a facsimile of a screen display illustrating the interior cabin space of a passenger airplane;

FIG. 15 is a facsimile of a screen display illustrating an airborne view of an airport; and

FIG. 16 is a facsimile of a screen display illustrating a view out of a passenger window of an aircraft. Reference will now be made in detail to the description of the invention as illustrated in the drawings. While the invention will be described in connection with these drawings, there is no intent to limit it to the embodiment or embodiments disclosed therein. On the contrary, the intent is to cover all alternatives, modifications and equivalents included within the spirit and scope of the invention as defined by the appended claims.

Detailed Description of the Preferred Embodiment

Turning now to the drawings, FIG. 1 illustrates the principal components in a virtual reality system depicting the separation between hardware and software. As will be described in further detail below, the primary aim of the present invention is to provide an effective means for treating a variety of patients suffering from anxiety disorders of various kinds. Because virtual reality systems respond to patient movements to create a sense of presence or "immersion" within the virtual environment, applicants have found that such systems provide an effective vehicle for achieving the concepts of the present invention.

As is known, virtual reality systems operably combine hardware and software in real-time fashion. A central hardware component in almost any virtual system is the headgear 20. Various types of headgear are known. For example, a headgear, such as that illustrated in the figure, has only a single video screen 22 for displaying an image of a virtual environment immediately before the user's eyes. The screen 22 may be flat or, alternatively, curved, either physically or optically, to extend to each side of the eyes and effectively cover much of the user's peripheral vision. Alternatively, stereo goggles may be utilized. Headgear of this type provide two display screens -- one immediately in front of each eye. As is known, the images displayed on each screen are slightly offset, so as to provide the appropriate sense of depth perception for objects displayed on the screens.

Speakers 24 may be also be provided in the headset 20. Like the video images displayed on the screen 22, sound may be similarly provided to support the virtual environment illustrated on the video screen. As mentioned, an important feature in a virtual reality system is to provide the user with a sense of presence within the virtual environment. To this end, sensors 25 are provided in connection with the headgear 20 to monitor the position and movement of a user's head. As the user moves his head, the image displayed on the video screen 22 is adjusted accordingly. Similarly, the volume of the sound emitted on speakers 24 may be accordingly adjusted. That is, in the virtual environment, the sound source may be assigned a location. As the user moves his head, the sound volume may be slightly varied between the two speakers to coincide with the alignment of the user's ears with the sound source.

Another hardware component frequently used in a virtual reality system is a device, usually resembling a glove, that is worn on the user's hand. The device is equipped with numerous position and bend sensors to closely monitor finger and hand movements. All such devices will be hereinafter referred to as "sensor-gloves" 30. This device is worn on a user's hand like any normal glove. It is equipped, however, with numerous sensors to monitor the position and movement of the user's hand and fingers, and provides an effective means for allowing the user to positively engage the virtual reality environment as more than a mere observer. It will be appreciated that the visual and audio sensory perceptions provided in connection with the headgear 20 may effectively immerse the user in the virtual environment, as an observer, other mechanisms are required in order to allow the user to interact within the virtual environment. The sensor-glove 30 provides this mechanism.

For example, one of the virtual environments that will be discussed in connection with the present invention, is an elevator used for treating patients with acrophobia (fear of heights). The elevator includes control buttons to allow the user (patient) to instruct the elevator to go up, go down, or stop. These control buttons are visually presented to the user on the display screen of the headgear. They are not physically real, but exist only visually in the virtual environment. The user, nevertheless, is able to interact with that environment and depress the buttons by using a sensor-glove 30, or other similar input means. As the user moves his hand, the system tracks that movement and incorporates an image of the hand into the virtual environment display. Just as in a "real-world" manner,

the user may utilize the visual feedback of the display showing the position of a hand in relation to the control buttons to move his hand to align the virtual hand with the control buttons.

Another component, denoted as "other" 32, is provided to illustrate that many other hardware components are known for using virtual reality systems, and may be utilized in connection with the present invention. For example, rather than a video screen 22, provided in a headset 20, an alternative video screen may be provided, such as a ORT positioned in front of the patient. A variety of other input means, other than the sensor-glove 30, are known as well. In this regard, the user may utilize a flight stick, a tracker, a mouse, etc. as a means of providing positive input and interaction with the virtual environment. Indeed, experimentation is presently ongoing in the development of a body suit with numerous sensors to track the movements of a user's entire body, much like the sensor-glove 30 tracks the movements of a user's hand and fingers. An exhaustive description of these devices, however, will not be provided herein, as they will be understood by persons skilled in the art and do not form a part of the present invention.

In conjunction with the various hardware components, software provides the remainder of the virtual environment. In this regard, there are companion processing and interface modules to interact with each hardware component previously described. For example, a video processing module 40 outputs to the display screen 22 the appropriate video information for display to the user. It will be appreciated that this video information reflects not only the environment, but also the position of the user's head as detected by sensors 25 and the position of the user's hand as detected by sensor-glove 30. Similarly, an audio processing module 42 provides similar control over the sound emitted by the speaker 24. Thus, the blocks denoted as "tracking" 41 and "video processing" 42 provide the appropriate input/output interface with the corresponding hardware components. At the same time, these blocks interface (via software) with the virtual (object) environment to integrate the user (via hardware) into the virtual environment.

In regard to the graphical or virtual environment provided by the system and as is known, such virtual reality systems utilize object-oriented programming techniques to effectively provide the virtual environment. In this regard, an object can represent anything that can be named, from something as abstract as degrees of volatility, to something as concrete as a physical object. In addition, objects or parts of programs can

inherit features from other objects, or from pre-coded generic examples. In this regard, it may be necessary only to note that one object is identical to another except for a certain feature or features, and then to define the differences.

After designing the various objects that will be used in a given virtual environment, object characteristics must also be defined. These characteristics contain rules of behavior that define how a certain object will act or appear in a given environment. For example, balls bounce in response to gravity and elasticity, water flows at a rate relating to both the depth of the water and the inclination or grade down which the water flows. These dynamics are expressed through algorithms in the software.

In many instances, the definition of particular objects and their associate dynamics is hardware or machine specific. In order to facilitate not only the definition of objects, but also portability among different systems, a variety of commercially-available virtual reality development toolkits have been provided. The identification and description, however, of particular toolkits or other development software is not provided herein, as it is not deemed necessary in order to practice the present invention. Indeed, those skilled in the art will appreciate a variety of development tools for implementing the concepts and teachings of the present invention.

In keeping with the description of the object-oriented software, object trees are utilized in combining or defining related objects. For example, a table may consist of a table top and 4 legs, each of which may be expressed as a separate object. Since each of the 4 table legs is fixed in relation to the table top, a logical relation (fixed) is defined among the five objects. This may be expressed in terms of parent-child objects, wherein the table top is a parent object, and each leg is a child object of the parent. As is known, this may be graphically expressed in terms of an object tree. In one embodiment, the relationship between a parent object and a child object is one of location, orientation, and scale. Another way to express this relationship is to say that a child's position is defined in terms of its parents coordinate system, which is in turn defined as its position in relationship to its parent's coordinate system, and so on. All objects in a tree have a position that is ultimately defined in terms of the coordinate system of the top-most object, or root node. Utilizing object trees, movement of a root node object may be calculated independently, and the movement of all other objects within the tree may be calculated

based upon the movement of the root object. As is known, this simplifies the calculations required in displaying a given virtual environment.

As is known, an object's position may be represented internally as a 4x4 matrix which is a composite of a translation, a rotation, and a scale transformation. This matrix may be used to determine the position of each point in an object's geometry, in relation to the object's parent. The translation component determines where a point at an object's origin will be from the parent object. The rotation and scale components determine where the points away from the origin will be in relationship to that origin. It is significant to note that the rotation component is a rotation around the parent object's origin, rather than the object's origin and it is also important to note the changes in position of a parent object cause position changes in its child objects as well. To illustrate this point, and in keeping with the example of the table top and four legs, if the table top is rotated, then the legs will rotate about the origin of the table top, as opposed to their individual component origins.

Objects have a geometric appearance which are preferably designed by polyhedron, polyline, text and light sources. This geometry may be read from an object description file, or may be generated dynamically. A geometry may be defined as a list of primitives, each of which may be a polyhedron, a textured polyhedron, a polyline, text, or a light source. A polyhedron primitive is simply a collection of polygon faces which all use a subset of a list of vertices and normals. A textured polyhedron is a special polyhedron which contains texture vertices information used to map textures to the polygon faces. A polyline primitive is a collection of continuous lines which all use a subset of a list of vertices. A text primitive may be a multi-line block of text which has a location, orientation, and scale in relationship to the object it is a part of. The light source primitive is a light definition. Each visible primitive can have a highlighted material associated with it which, if no highlight geometry is specified, will override the primitive's usual material when the object is being highlighted.

Having described a generic virtual reality environment for the present invention, reference is now made to FIG. 2, which more specifically illustrates the interrelation of components in a virtual reality system implementing the present invention. In addition to hardware and software, a patient 50 and therapist 51 are also included. Single-ended arrow 52 illustrates the patient interaction with position trackers 55, which may include sensors on the head gear as well as sensors in the sensor-glove 30. This position and

sensor data is then input to a computer 56 which controls monitors (video displays) and speakers 58, as well as the head-mounted display 60. The head-mounted display 60, as illustrated by the single-ended arrow 61 provides visual and audio input to the patient 50.

Double-ended arrow 62 reflects bi-directional interaction and communication between the patient 50 and therapist 51. In one embodiment, the therapist 51 may, through a series of questions, ascertain the patient's level of anxiety. A computer operator 65 may also be present to provide direct input into the computer 56. The computer operator 65 may be an individual dedicated to control the operation of the computer 56 or, alternatively, may be a therapist with sufficient working knowledge of the computer system to control certain input parameters. For example, and as previously mentioned, one environment of the present invention emulates an elevator for treating patients with a fear of heights. The therapist 51 detects increasing or decreasing, levels of anxiety within the patient 50. Thereafter, the therapist 51, via computer operator, 65 may control the computer 56 to decrease or increase the elevation of the elevator.

Arrows 70 indicate the general interaction between 5 hardware and software. The software is represented in three principle blocks or models: the virtual reality toolkit 71, the visual model 72 and the application program 73. The visual model has the name it implies, defines or depicts the environment for a particular virtual application. The application program receives the visual model and interacts with the virtual reality toolkit so as to define user interaction with the visual model. The operation and interaction of these software modules will be appreciated by those skilled in the art.

Turning now to the broad features of the invention, reference is made to FIG. 3, which shows a software flowchart illustrating the principal steps in the present invention. Broadly, the present invention exposes a patient with a particular anxiety disorder to a virtual environment emulating an environment or event targeted to elicit an increase in patient anxiety, associated with a particular anxiety disorder. For example, in patients having a fear of heights, various virtual environments including an elevator, a balcony, and a walking bridge have been designed to elicit patient anxiety. The system operates to vary the intensity of the virtual environment in response to changing levels of patient anxiety. In a treatment method known as graded exposure, a patient is exposed to a particular stimulus that elicits an increased anxiety. After a period of time, with continued exposure, the patient anxiety begins to subside. In response, the system operates to change or

intensify the virtual environment in order to again increase patient anxiety. This process is repeated through several gradations as a way of efficiently exposing patients to feared environments or stimuli.

More specifically, the operation of the present invention begins by detecting or otherwise receiving an initial patient anxiety level (Step 100) and setting an initial exposure level or rate accordingly. In this regard, rather than beginning at some default exposure level or rate, a preferred embodiment of the invention recognizes that patients' anxiety levels may be different at the onset. For example, on an initial therapy visit, a first patient may be innately more apprehensive than, for example, a second patient. Similarly, the first patient may have a certain level of anxiety or apprehension on his or her first visit with the therapist, and a lower level of anxiety or apprehension when beginning a treatment session on a subsequent visit to the therapist. In these scenarios, the illustrated embodiment accounts for such variations and sets an initial exposure rate or level accordingly.

As previously mentioned the system may detect or receive the initial patient anxiety level by data input manually by a therapist and/or computer operator. Alternatively, a sensor may automatically detect a level of patient anxiety. The sensor may be in the form of a device that monitors the patient's pulse rate, blood pressure, or epidermal moisture.

The illustrated embodiment of FIG. 3 also differentiates between exposure level and exposure rate. One or the other may be appropriate for any particular embodiment. In the elevator example previously mentioned, the illustrated embodiment may set the initial exposure level of, for example, the third floor. In this instance, the elevator would ascend to a third floor level and stop. It would remain stopped until the patient anxiety subsided to a level sufficient to permit further elevation of the elevator. Alternatively, the illustrated embodiment may be configured to elevate the elevator at a constant rate. Based upon the patient anxiety, the speed or rate at which the elevator ascends or descends may be controllably varied. In keeping with the description of FIG. 3,

In keeping with the description of FIG. 3, once the initial exposure level or rate has been set, the illustrated embodiment thereafter monitors the patient anxiety level (Step 102). Again, this step may be accomplished by physical indicia observed by a therapist and entered by a computer operator into the system. Alternatively, it may be automatically

monitored by way of a sensor, as previously described. At Step 105, the system makes a determination, based upon the patient anxiety level, as to whether to increase or decrease the exposure level or rate. If the patient anxiety level is below a certain, predetermined amount then the exposure intensity is increased at Step 106. Alternatively, the system proceeds to Step 107, which determines whether to decrease the exposure level or rate. In this regard, if the patient anxiety level is above a certain, predetermined amount, the system responds by decreasing the exposure level or rate at Step 109. Otherwise, the exposure level or rate is maintained at a constant. This will be the equivalent of maintaining the elevator at a constant ascending rate or holding at a certain, prescribed floor, as previously described.

Although the illustrated embodiment describes reducing the exposure level or rate if the patient anxiety exceeds a certain level, this may not always be desired. Indeed, in exposure therapy, the exposure level is usually maintained even though the patient's anxiety level is high. The exposure is typically maintained until the patient anxiety begins to subside, and then the exposure is increased. Terminating or reducing exposure while patient anxiety is high may adversely reinforce avoidance or escape. The illustrated embodiment, nevertheless, recognizes that, consistent with the invention, the system may be designed with the flexibility to reduce exposure levels in extreme situations.

It will be appreciated that FIG. 3 illustrates the very broad elements of the present invention, and is not dependent on any particular embodiment or virtual environment. Indeed, specific virtual environments and embodiments will be discussed in connection with FIGS. 4 through 16.

To better illustrate the present invention by discussing several particular embodiments, reference is now made to FIG. 4. FIG. 4 illustrates the principal hardware components in an elevator embodiment, previously discussed, for use in treating patients having a fear of heights. The system includes a computer 120 containing the virtual environment and for executing the software necessary for implementing the virtual environment. An optional display 122 may also be provided. When included, the display 122 may be used by the therapist as a means of viewing the same visual scene contemporaneously viewed by the patient. That is, the video output by the computer 120 onto the display screen in the headgear worn by the patient, may be simultaneously output to the display 122, where it may be viewed by the therapist 51.

Block 125 generically denotes the virtual reality equipment utilized by the invention, including the headgear 20 (see fig. 1), the sensor-glove 30, and anxiety sensor previously discussed. Double-ended arrow 126 represents bidirectional communication between the virtual reality equipment 125 and the computer 120. That is, information is communicated from the computer 120 to the headgear, and information is communicated from the sensor-glove and anxiety sensor to the computer 120.

In a preferred embodiment, an elevator platform 130 is provided. The elevator emulated in the virtual environment is an open elevator disposed within a central atrium area of a hotel. In this regard, reference is briefly made to FIGS. 8A-8D, which illustrate various views of this virtual environment. Specifically, FIG. 8A illustrates a view of the virtual environment as taken looking outward from the elevator, while the elevator is positioned at ground level. It can be seen that on the ground floor, the environment is depicted as having a plurality of dining tables and an overhanging chandelier. FIG. 8B again illustrates the virtual environment with the elevator positioned at ground level, and with the user looking upwardly. Similarly, FIGS. 8C and 8D illustrate the same virtual environment, with the elevator at an elevated position and the user looking outwardly (FIG. 8C) and downwardly (FIG. 8D). As can be seen, particularly in the downwardly directed view of FIG. 8D, the elevator includes a platform 132 (see FIG. 4) and a handrail 134. The hardware setup as illustrated in FIG. 4 has been configured in connection with the virtual environment so that the physical handrail 134 coincides with the virtual handrail illustrated in the figures. When a user (e.g. patient) is wearing a sensor-glove 30, the system tracks the patient's hand movements so that when the hand wearing the sensor-glove grasps the handrail 134, the image displayed in the virtual environment illustrates the hand grasping the handrail. Similarly, the system tracks the movement of the hand in the vicinity of the handrail or elsewhere so as to coincide with the physical positioning of the user's hand. This provides an element of tactile feedback to the user, particularly when grasping the handrail 134, to further enhance the sense of presence or immersion in the virtual environment and thereby enhance the effectiveness of the exposure therapy.

To further enhance the tactile feedback, a motor 136 may be provided in connection with the elevator platform 130. In this regard, the motor 136 may be disposed to slightly elevate or, alternatively, vibrate the elevator platform 130 in conjunction with a simulated movement of the elevator within the virtual environment. This adds to the sense

of movement visually apparent to the user by providing an emulated tactile motion in connection therewith.

The double-ended arrow 140 shown in dashed line illustrates a connection between the elevator platform 130 and the virtual reality equipment 125. This symbolic attachment is realized by a user standing on the platform 130, and wearing the headgear and other virtual reality equipment 125.

Turning now to FIG. 5, a flowchart is provided to illustrate the operation of a preferred embodiment of the virtual elevator environment. The system begins the therapy session by locating the elevator at ground level (Step 150). The visual environment as observed by the patient at this level is illustrated in FIG. 8A. In one embodiment, the patient may control the movement of the elevator by using a hand wearing the sensor-glove 30 to depress or activate imaginary control buttons in the virtual elevator. Alternatively, the system may be configured to operate automatically, utilizing anxiety sensors in connection with the elevator control. In this regard, the system may monitor anxiety sensors until the patient's anxiety level is low enough to begin elevating the elevator (Step 152). If, for example, the patient's pulse rate, blood pressure or epidermal moisture level are below certain predetermined amounts, the system begins emulating the elevation of the elevator (Step 154). As the elevator continues upward, the anxiety sensors continue to monitor the patient anxiety level. So long as the anxiety level remains under a certain acceptable level (Step 155), the system would continue to elevate the elevator (Step 156). Once, however, the patient anxiety level exceeds a certain predetermined threshold, the system stops the elevator (Step 157). In the illustrated embodiment, Step 158 checks to see whether the patient anxiety level begins to decrease after the elevator has been stopped. If so, control returns to Step 155 where the patient anxiety level is again tested to determine whether to raise the elevator (Step 156) or maintain the elevator in its halted position (Step 157). If, however, halting the elevator in step 158 does not result in decreased patient anxiety, the system may respond by lowering the elevator (Step 160).

It will be appreciated that, in the foregoing example, the patient anxiety level may be sensed automatically, or may be manually input into the system by the attending therapist. It will be further appreciated that FIG. 5 illustrates only one embodiment of the invention and variations to the particular elevator control may be implemented entirely consistent with the concepts and teachings of the present invention. Indeed, further

complexity may be added to the system to account for not only elevation changes in the elevator, but also rate changes in the speed of the elevation or descent of the elevator. In this regard, reference is made to FIG. 6.

The embodiment illustrated in FIG. 6 also begins by locating the elevator at ground level (Step 170). Thereafter, it assesses the patient's anxiety level either by therapist input or by automatic sensors, in a manner previously described (Step 171). If the patient's anxiety is below a certain level, then the system begins elevating the elevator at a default rate (Step 172). Thereafter, the system monitors the patient anxiety level. If the anxiety level is acceptable (see Step 175), the system may then check to determine the rate at which the anxiety level is changing. If the anxiety level is increasing too rapidly (see Steps 176 and 177), then the system will decrease the rate of elevation (Step 178). If the level of anxiety is increasing, but not increasing too rapidly, then the system may maintain the present elevator rate (Step 180).

If, however, the level of patient anxiety is not increasing (Step 176), then the system may operate to increase the rate at which the elevator is ascending (Step 182). As can be verified from the flowchart, if, at Step 176, the system detects an increasing level of patient anxiety, then the system will either proceed through Step 178 or Step 180. Thereafter, system control returns to Step 175 wherein a check is made to determine whether the level of patient anxiety is acceptable. If not, the system may stop the elevator (Step 185). Then, the system may check (Step 186) to determine whether the level of patient anxiety is decreasing. If so, the system returns to Step 175, and once the level of patient anxiety is again acceptable, the system may begin increasing the rate of elevation. If, however, at Step 186 the system does not detect decreased patient anxiety, then the system may operate to lower the height of the elevator (Step 187).

Again, it should be appreciated that the embodiment depicted in FIGS. 5 and 6 are presented only for purposes of illustrating features of the present invention, and the broader aspects of the invention should not be construed as limited to the embodiments illustrated in these figures.

As previously mentioned, the system may be configured to operate under the control of either the patient, or a computer operator, rather than under the automatic control utilizing anxiety sensors. Under the manually operable scenario, the operation of the system may best be described by reference to the state diagram illustrated in FIG. 7.

As illustrated in this figure, there are three states of operation: S0, S1, and S2. When in state S0, the elevator is moving upwardly. When in state S1, the elevator is stopped, and when in state S2, the elevator is moving downwardly. The lines having arrows indicate a state change. In standard state diagram notation, and as will be understood, associated with each arrow is an input and an output represented by notation iX/aY . In this notation iX represents an input, where X is a number from 0 to 9. Similarly, aY represents an output, where Y is a numeral 0 to 9. Thus, there are 10 inputs and 10 outputs associated with the various state changes. Indeed, Table I, produced immediately below provides all requisite information for reading and interpreting the state diagram of FIG. 7. The left-hand column of the table lists all states S0 through S2, all inputs $i0-i9$ and all outputs $a0$ through $a9$. The right-hand column of the table provides the corresponding state, input, or output/action taken by the system.

TABLE I

S0	Elevator is moving up
S1	Elevator is stopped
S2	Elevator is moving down
$i0$	Elevator has not reached the top
$a0$	Move elevator up (using desired speed)
$i1$	Elevator has reached top
$a1$	Stop elevator moving up
$i2$	Up key/control button is pressed
$a2$	Start moving elevator up
$i3$	Stop key/control button is pressed
$a3$	Stop moving elevator up
$i4$	Down key/control button is pressed
$a4$	Start moving elevator down

i5	Up key/control button is pressed
a5	Start moving elevator up
i6	Elevator has reached bottom
a6	Stop moving elevator down
i7	Stop key/control button is pressed
a7	Stop elevator moving down
i8	Down key/control button is pressed
a8	Start moving elevator down
i9	Elevator has not reached bottom
a9	Move elevator down (using desired speed)

For example, when in state S0, the elevator is moving upwardly. There are two input conditions that can cause the elevator to transition from state S0 (where it is moving upwardly) to State S1 where it is stopped. One of these conditions occurs when the elevator reaches the top of its range of elevation. The second occurs when either the patient or therapist manually controls the system to stop the elevator. The first of these scenarios is represented by i1 (where the elevator has reached the top) . The corresponding output a1 instructs the system to stop the elevator from moving upwardly. Similarly, i3 represents the depression of the manual control to stop the elevator from moving upwardly. corresponding output a3, likewise, stops the elevator from moving upwardly.

In addition to the manipulation of the visual virtual environment as discussed above, the invention may also be configured to provide audible feedback to the user by way of speakers 24. In this regard, the audible feedback may not only provide a sound consistent with the motorized sound or hum of an elevator (that may vary in connection with the varying rate or movement of the elevator) , but also may provide additional, environmental noise as well. For example, when the elevator is located at ground level and the visual display is depicting an atrium area of a hotel, it may also be desired to emit the sound of a plurality of personal conversations, for example, emulating the presence of

people in the atrium area. This sound may be attenuated as the elevator rises above the atrium level, consistent with sound attenuation in such a real-world scenario.

In addition to the elevator embodiments described above, other embodiments or graphical environments may be provided for treating patients with a fear of heights. One such embodiment is shown in FIG. 9 and includes a view from a balcony. As can be seen in FIG. 9, a balcony handrail is provided like that discussed in connection with the elevator handrail of FIGS. 4 and 8A through 8D. Indeed, the same platform constructed for the elevator embodiment may be utilized in connection with the balcony embodiment. Preferably, a plurality of balcony scenes are provided, each of a varying height. That is, one balcony embodiment may emulate the view from a second or third floor balcony. During an initial treatment session, a patient may be exposed to this environment. Once patient anxiety levels have decreased by virtue of this exposure, the patient may then be exposed to additional balcony scenes of increasing intensity (i.e., higher floors).

Yet another embodiment is illustrated in FIG. 10, wherein the virtual environment positions a patient on a suspended, walking bridge spanning a ravine. Depending upon the level of patient anxiety, the system may be adapted to increase the elevation of the suspended bridge or, alternatively, vary the stability of the bridge. In this regard, the system may be configured to provide swaying or other turbulence to a suspended bridge. In such an embodiment, it would be desirable to provide tactile feedback, similar to the elevator handrail, to reinforce the sense of presence or immersion experienced by the patient.

In addition to utilizing various embodiments of the present invention to provide exposure treatment to patients suffering from acrophobia, the invention is not so limited. Indeed, it is contemplated the invention can be utilized to treat patients having a wide variety of anxiety disorders. The fear of flying is another such example. To be sure, in one embodiment the present invention has been adapted to emulate the interior of a passenger aircraft, from the vantage point of a passenger seat positioned next to a window. Using the headgear, the patient has the freedom and flexibility to observe the virtual surroundings within the aircraft cabin, as well as view a virtual environment outside the aircraft by looking through the window. Like the hardware setup illustrated in FIG. 4, FIG. 11 depicts a similar hardware setup for this embodiment of the present invention. Again, a computer 200 and optional computer monitor 204 are provided to generate and simulate

the virtual environment. Virtual reality equipment 205, including the headgear, sensor-glove and anxiety sensor are also provided. Rather than the elevator platform illustrated in FIG. 4, a chair is provided for the patient to sit in. Preferably, this chair closely conforms in size and shape to a typical aircraft seat, to tactily emulate the virtual environment. A plurality of motors 215, responsive to the computer 200, may be provided to further enhance the environment by moving the seat 210. In this regard, a mechanism, such as a motor, may be disposed to tilt the seat forwardly or rearwardly coincident with aircraft landings and takeoffs. Similarly, a mechanism may be provided to tilt the seat from side to side to better emulate turns or aircraft banking. Finally, a mechanism may be provided to generate seat vibrations to better enhance the sense of movement by the patient seated in the chair 210.

Before proceeding with the description of a preferred software flowchart and state diagram, reference is first made to FIGS. 14 through 16. FIG. 14 illustrates a view of the interior aircraft cabin space as viewed by the patient, seated in a passenger seat. While the aircraft of this embodiment is empty, it may be desired to add the presence of other passengers, flight attendants, etc. to better enhance the sense of presence within the virtual environment. Similarly, corresponding surrounding noise (e.g., conversations) may be emitted via headset speakers 24 to further enhance this embodiment. Likewise, aircraft noise is desirably emitted over the speaker. The noise is controlled to intensify in volume in connection with aircraft takeoff, for example, and a lower volume is emitted coincident with aircraft taxiing.

FIG. 15 illustrates a view of an airport, as observed by looking through the aircraft window. It will be appreciated that the aircraft is airborne when observing the view as illustrated by FIG. 15. Similarly, FIG. 16 illustrates an alternative view out the passenger window, and over an aircraft wing. This view illustrates movement of the aircraft by depicting the ground as blurred in relation to the aircraft wing.

Referring now to FIG. 12, a top-level description of the software operation for this embodiment is depicted. preferably, a therapy session begins with the aircraft taxiing from the terminal to the runway (Step 250). Not only is this an effective way of gradually introducing the patient into the feared, airborne environment, but also presents a more realistic approach to exposure therapy, since preflight taxiing is always a part of the flight experience. During the taxiing, the patient's anxiety level is monitored to determine

whether the exposure of the therapy session should be taken to the next level (Step 252). If the patient's anxiety level exceeds a predetermined threshold level, then the illustrated embodiment stops the taxiing (Step 253), until the patient's anxiety returns to an acceptable level. If, however, the patient's anxiety level is below a predetermined threshold level, then the virtual emulation continues with the preflight process. That is, if the plane has not yet reached the runway, it continues to taxi (Step 254). If, however, the plane has reached the runway, then the aircraft proceeds to take off (Step 255).

During the takeoff proceeding, the distinct change in engine noise associated with a typical flight takeoff is emitted over the speakers 24 to the user. Motors 215 may be controlled to increase the seat vibrations, and the virtual environment, as viewed through the passenger window, illustrates the acceleration and increased velocity of the aircraft proceeding down the runway. Once an appropriate velocity has been reached, the system operates to tilt the seat rearwardly and control the environment out the passenger window to reflect increased aircraft altitude. It will be appreciated that during this time the system continues to monitor the patient anxiety, and if the patient anxiety exceeds a predetermined threshold, the system may abort the simulation.

Preferably, however, the takeoff proceeding will continue until the plane reaches a certain prescribed altitude. Once the cruising altitude has been reached, the system continues to monitor patient anxiety (Step 260). With increased levels of patient anxiety, the system simulates very smooth flight conditions. In this regard, the speaker emits a fairly constant hum to correspond to smoothly running engines, and a very gentle, regular vibration is provided by the motors 215 to the seat 210.

With reduced levels of patient anxiety, however, the system is preferably adapted to simulate rougher flights. In this regard, the motors 215 may be controlled to deliver sudden jolts to the seat 210 with corresponding perturbations reflected in the video display. The speakers may also be controllably varied to emit sound variations coincident with these disruptions, to simulate the aircraft hitting air pockets or encountering turbulence.

To further illustrate the aircraft embodiment, reference is made to FIG. 13, which shows a state diagram illustrating the various states, and state transitions of the above-described embodiment. Specifically, the emulation starts at state 300, wherein the aircraft is parked at the terminal and the engines are shut off. Upon command by the therapist, or

alternatively, input from the anxiety sensors, the system transitions from state 300 to state 302, wherein the aircraft is still parked at the terminal, but the aircraft engines are started. This is emulated by both sound emitted from the speakers 24 and seat vibration provided by motors 215.

Again, and in response to either manual patient/therapist input, or automatic simulation in response to timers and patient anxiety, the system transitions into state 305 where the aircraft begins to taxi toward the runway. That is, in the automatic mode, so long as the patient anxiety remains under a predetermined threshold, the system may be configured to sit for a given period of time at the terminal with the engines running, as would be experienced in a real-world aircraft. Thereafter, the system transitions to state 305 and the taxiing begins. Based upon the patient anxiety at this point, the system may either transition into states 306 or 307. At relatively low levels of patient anxiety, the system transitions into state 306 which simulates a rough takeoff. At higher levels of patient anxiety, the system transitions from state 305 to state 307 wherein a smoother takeoff is simulated.

Once the aircraft has reached the appropriate velocity and descends from the runway, the system automatically transitions from state 306 to state 309 where rough flight conditions are encountered. Similarly, the transition from state 307 to state 310 automatically occurs. However, once in flight, the system may alternately transfer between states 309 and 310 depending upon patient anxiety. That is, at low levels of patient anxiety, the system will transition into state 309 to simulate rough flight conditions in a manner previously described. conversely, at higher levels of patient anxiety, the system will transition into state 310 to simulate smoother flight conditions. Moreover, the system may transition into state 312 to simulate a missed landing approach or low altitude pass over the airport (buzzing flight)

Based upon the level of patient anxiety when the system approaches the end of the emulated, virtual flight, the system transitions into the appropriate state for landing. If, during the flight, the patient was exhibiting relatively low levels of patient anxiety, then rough flight conditions would have been emulated (state 309). The system automatically transitions from this state into state 315 where it simulates a rough landing. Similarly, at higher levels of patient anxiety, the system automatically transitions from state 310 to state 316, which simulates a smooth landing. As illustrated in the diagram of FIG. 13, if at any

time the patient anxiety level exceeds a predetermined threshold. the system may transition directly into state 320, which aborts the simulation. This may occur automatically in response to anxiety sensors, or may be manually controlled by the trained therapist sensing excessive levels of patient anxiety.

In addition to those embodiments depicted in the drawings and previously described, it will be appreciated that the present invention may be utilized in connection with the treatment of other anxiety disorders as well. For example, the present invention may be used in connection with the treatment of patients suffering from post-traumatic stress disorder. It is well documented that many U.S. military veterans, who have served in combat, suffer from post-traumatic stress disorder (or PTSD). Accordingly, exposure therapy by way of virtual environments may be utilized in the treatment of such patients. Clinical reports have indicated that often the highest levels of anxiety of post-traumatic stress disorder patients are exhibited in connection with the memory of being transported by helicopter into combat. Often these memories and the associated anxiety are triggered merely by the sound of a helicopter flying overhead. Therefore, a virtual environment adapted to treat post-traumatic disorder patients may be created to emulate the following scenario. Initially, merely the sound of a distant helicopter is emitted over a speaker. This sound may grow in intensity and volume, so long as the patient maintains safe and appropriate levels of anxiety. As the sound is controlled to intensify, a visual image of the helicopter, first small and then growing in size, may be displayed on the display screen before the patient.

The environment is further controlled to emulate the approach of the helicopter, which is controlled to land in front of the patient. The patient then boards the helicopter which is controlled to take off and fly over jungle terrain, emulating that of Vietnamese combat territory, for example, or any other appropriate territory for a given patient. During this time, the sound of the rotary helicopter blades are audible throughout the emulation, and the patient may be seated in a seat configured to vibrate much like that discussed in connection with the previous, flight embodiment.

If, at any time, the patient anxiety level exceeds a predetermined level, the virtual environment is configured and controlled to respond accordingly. For example, if a patient exhibits undue anxiety as the helicopter is making its initial approach to the patient, the system may merely control the helicopter to fly off in another direction. Once the

patient's anxiety subsides, another helicopter may then be brought into the environment to approach the patient.

Embodiments of the present invention have also been identified for use in treating other PTSD sufferers. In such embodiments, the sufferers may be exposed to a virtual environment that closely emulates the environment in which their trauma occurred (e.g., driving for motor vehicle accident survivors, assailant for rape survivors, etc.) Similarly, variants of the present invention may be utilized in patients suffering from obsessive-compulsive disorder, by exposing them to environments that would otherwise trigger compulsive urges.

It will be appreciated that the particular embodiment or environment may preferably be tailored to specific patient needs. It will be further appreciated that the treatment methods discussed herein are much more efficient and cost effective for treating patients than actual exposure methods. That is, in connection with patients having a fear of flying, the emulated aircraft environment is much more cost effective than actually having to purchase aircraft tickets or flight time from a private charter. In addition, staying within the confines of the therapist's office, patient confidentiality is maintained. Moreover, potential patient embarrassment by having anxiety attacks in a public place are eliminated. Furthermore, unlike a real scenario, if it is clinically warranted, the exposure session may be immediately terminated. It is well appreciated that such an option is not available in a real-world exposure session.

The foregoing description has been presented for purposes of illustration and description. It is not intended to be exhaustive or to limit the invention to the precise forms disclosed. Obvious modifications or variations are possible in light of the above teachings. The embodiment or embodiments discussed were chosen and described to provide the best illustration of the principles of the invention and its practical application to thereby enable one of ordinary skill in the art to utilize the invention in various embodiments and with various modifications as are suited to the particular use contemplated. All such modifications and variations are within the scope of the invention as determined by the appended claims when interpreted in accordance with the breadth to which they are fairly and legally entitled.

Claims

What is claimed is:

1. A virtual reality system for treating patients with a fear of flying, comprising:
 - a video screen for displaying a graphical environment, the graphical environment emulating the interior of an airplane including a window and a view out of the window;
 - a speaker for delivering sound, the sound being logically related to the graphical environment;
 - means for sensing a level of patient anxiety;
 - a headset worn by the patient, the headset having sensors disposed to detect movement and positioning of the patient's head; and
 - a computer for controlling the display of the graphical environment on the video screen and the sound delivered from the speaker, the computer responsive to both the position of the headset and the anxiety sensing means to affect the graphical environment displayed.
2. The system defined in claim 1, further including a seat for supporting the patient in a seated position.
3. The system defined in claim 2, further including means for moving the seat, the moving means being controlled by the computer to move in a logically related manner to the contemporaneously displayed graphical environment.
4. The system defined in claim 3, wherein the moving means is operative to tilt the seat back, contemporaneously with the graphical environment displaying a flight takeoff.
5. The system defined in claim 1, wherein the computer is responsive to concertedly vary the intensity of the graphical environment, sound, and moving means in response to the level of patient anxiety, as detected by the sensing means.

6. A computer readable storage medium containing executable code for controlling the operation of the system defined in claim 1.

7. A virtual reality system for treating patients with a particular phobia, comprising:

a video screen for displaying a graphical environment, the graphical environment being one composed to trigger patient anxiety in response to the particular phobia;

a headset worn by the patient, the headset having sensors disposed to detect movement and positioning of the patient's head;

means for detecting a level of patient anxiety; and

a computer program for controlling the operation of the system including the steps of:

displaying the graphical environment on the video screen;

monitoring the headset sensors and determining the position of the patient's head;

controllably manipulating the graphical environment displayed on the video screen to reflect the movement and position of the patient's head; and

monitoring the means for detecting the level of patient anxiety and controllably manipulating the graphical environment displayed on the video screen in response thereto.

8. The virtual reality system as defined in claim 7, wherein the means for detecting a level of patient anxiety includes a video display monitored by an attending therapist, and a control disposed to input information to the computer program.

9. The virtual reality system as defined in claim 7, wherein the means for detecting a level of patient anxiety includes a sensor disposed to detect the patient's pulse rate.

10. The virtual reality system as defined in claim 7, wherein the means for detecting a level of patient anxiety includes a sensor disposed to detect the patient's blood pressure.
11. The virtual reality system as defined in claim 7, wherein the means for detecting a level of patient anxiety includes an electrodermal sensor disposed to detect a level of perspiration on the patient's skin.
12. The virtual reality system as defined in claim 7, wherein the particular phobia is acrophobia.
13. The virtual reality system as defined in claim 12, wherein graphical environment includes an elevator and a surrounding scene.
14. The virtual reality system as defined in claim 13, wherein the step of controllably manipulating the graphical environment in response to the level of patient anxiety detected, includes altering the graphical scene to emulate a change in height of the elevator.
15. The virtual reality system as defined in claim 14, wherein the graphical environment is manipulated to emulate increasing heights until a predetermined level of patient anxiety is detected, and thereafter the graphical environment is manipulated to emulate a substantially constant height until a predetermined condition is met.
16. The virtual reality system as defined in claim 15, wherein the predetermined condition is a predetermined period of time.
17. The virtual reality system as defined in claim 15, wherein the predetermined condition is a predetermined level of anxiety reduction.
18. The virtual reality system as defined in claim 14, wherein the graphical environment is manipulated to emulate decreasing heights in response to an excessive

level of patient anxiety detected, the manipulation designed to continue until a predetermined condition is met.

19. The virtual reality system as defined in claim 12, wherein graphical environment includes a balcony at a first height and a surrounding scene.

20. The virtual reality system as defined in claim 19, wherein the step of controllably manipulating the graphical environment in response to the level of patient anxiety detected, includes altering the graphical scene to emulate a balcony of a differing height.

21. The virtual reality system as defined in claim 20, wherein the graphical environment is manipulated to emulate a balcony at increasing heights until a predetermined level of patient anxiety is detected, and thereafter the graphical environment is manipulated to emulated a balcony at a substantially constant height until a predetermined condition is met.

22. The virtual reality system as defined in claim 12, wherein the graphical environment includes a bridge and a surrounding scene.

23. The virtual reality system as defined in claim 22, wherein the step of controllably manipulating the graphical environment in response to the level of patient anxiety detected, includes altering the graphical scene to emulate a differing height of the bridge.

24. The virtual reality system as defined in claim 12, wherein the graphical environment includes the interior seat on an airplane, with a view out a window.

25. The virtual reality system as defined in claim 7, wherein the video screen is disposed on a head mounted apparatus, worn by the patient.

26. The virtual reality system as defined in claim 7, further including a speaker for generating sound that is logically related to the graphical environment displayed on the video screen.

27. The virtual reality system as defined in claim 26, wherein the computer program further includes the step of controllably manipulating the speaker to generate sounds that are logically associated with the graphical environment displayed on the video screen.

28. The virtual reality system as defined in claim 24, further including a speaker for generating sound and the computer program further includes the step of controllably manipulating the speaker to generate sounds that emulate airplane engine sounds.

29. The virtual reality system as defined in claim 28, wherein the step of controllably manipulating the speaker includes manipulating the speaker to vary the intensity of the engine sound in connection with emulated movement of the graphical scene displayed on the video screen.

30. The virtual reality system as defined in claim 29, further including a seat for the patient and means associated with the seat for moving the seat in a manner logically associated with the graphical image being displayed on the video screen.

31. The virtual reality system as defined in claim 30, wherein the computer program further includes the step of controlling the movement of the seat.

32. The virtual reality system as defined in claim 7, further including tactile means for providing tactile feedback to the patient.

33. The virtual reality system as defined in claim 32, wherein the tactile means is a static object that is positioned to closely correspond to a portion of the graphical image displayed on the video screen.

34. The virtual reality system as defined in claim 32, wherein the tactile means is an active means that is controlled by the computer program to provide sensory feedback to the patient that closely corresponds to the graphical image displayed on the video screen.

35. A virtual reality system for treating patients with a fear of flying, comprising:

a video screen for displaying a graphical environment, the graphical environment emulating the interior of an airplane including a window and a view out of the window;

a headset worn by the patient, the headset having sensors disposed to detect movement and positioning of the patient's head; and

a computer program for controlling the operation of the system including the steps of:

displaying the graphical environment on the video screen;

monitoring the headset sensors and determining the position of the patient's head; and

controllably manipulating the graphical environment displayed on the video screen to reflect the movement and position of the patient's head.

36. A virtual reality system for treating patients with a particular anxiety disorder, comprising:

a video screen for displaying a graphical environment, the graphical environment being one composed to trigger patient anxiety in response to the particular anxiety disorder;

headset worn by the patient, the headset having sensors disposed to detect movement and positioning of the patient's head;

a speaker for generating sound logically associated with the graphical environment displayed on the video screen; and

a computer program for controlling the operation of the system including the steps of:

displaying the graphical environment on the video screen;
monitoring the headset sensors and determining the position of the patient's head;
controllably manipulating the graphical environment displayed on the video screen to reflect the movement and position of the patient's head; and
controllably manipulating the sound generated by the speaker in a manner logically associated with the graphical environment displayed on the video screen in response thereto.

37. A computer readable storage medium containing executable code for controlling a virtual reality system to execute the steps of:

displaying a visual, virtual environment to a patient having an anxiety disorder, the virtual environment being configured to elicit an elevated level of patient anxiety;

generating additional stimuli to further enhance the virtual environment;

receiving data indicative of patient anxiety;

interpreting the received data;

controllably manipulating the virtual environment

in response to the interpretation so as to maintain the patient anxiety level within predetermined, acceptable threshold levels.

38. The computer readable storage medium as defined in claim 37, wherein the step of generating additional stimuli includes the generation of sound that is logically associated with the visual virtual environment.

39. The computer readable storage medium as defined in claim 37, wherein the step of generating additional stimuli includes the generation of tactile stimuli that is logically associated with the visual virtual environment.

40. The computer readable storage medium as defined in claim 39, wherein the tactile stimuli includes vibrations generated by a motor.

41. A virtual reality system for treating a person having a phobia related to a moving vehicle, the system comprising:

- means for sensing a level of the person's anxiety;
- means for generating a signal related to the position of at least one portion of the person's body;
- means responsive to the sensing means and the position signal for displaying an emulation of the interior of the vehicle; and
- a sound generator adapted to generate sounds related to the emulation of the vehicle interior, the sound generator being responsive to the sensing means and the position signal.

42. The system as defined in claim 41, wherein the emulation of the interior of the vehicle includes an emulation of an external environment viewable through the window.

43. The system as defined in claim 42, wherein the signal generating means includes a headset having sensors to sense the position of the person's head.

FIG. 1

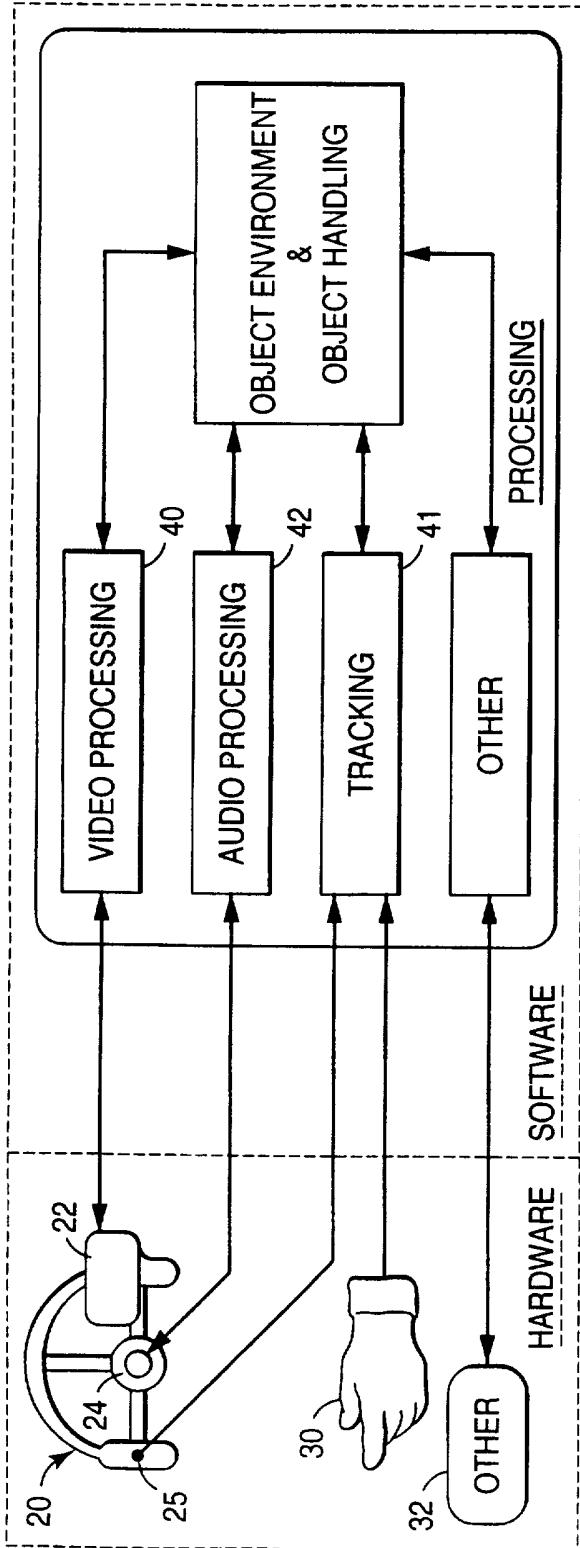
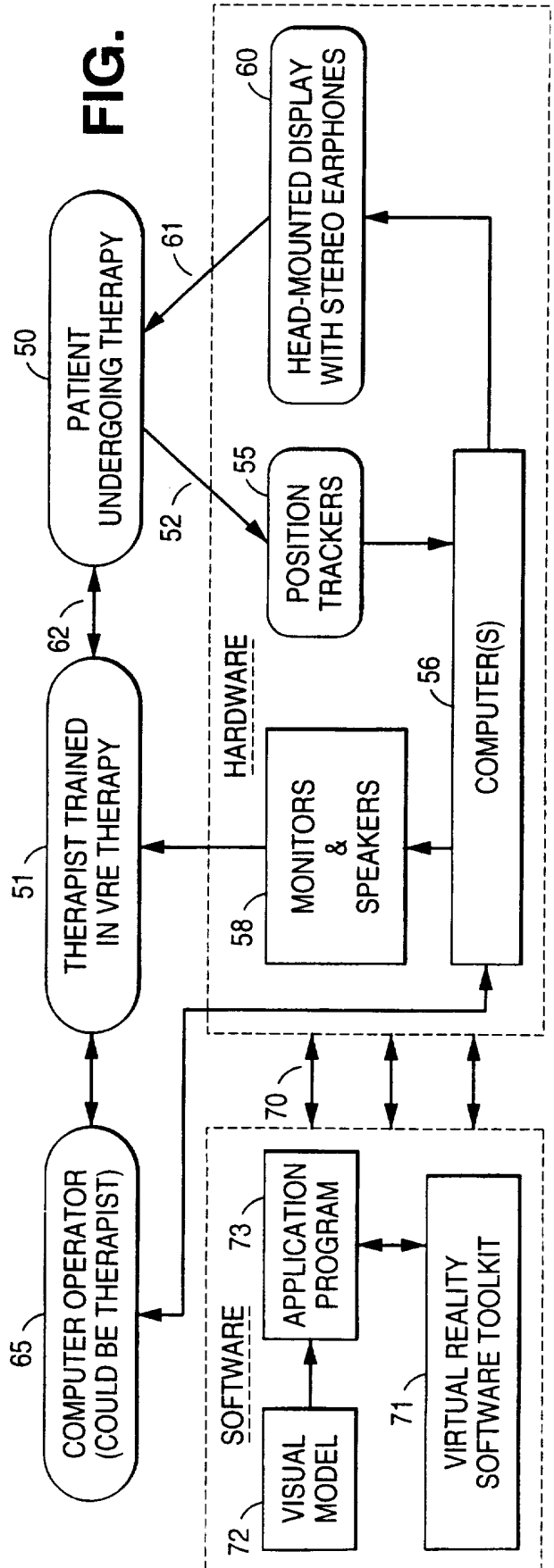


FIG. 2



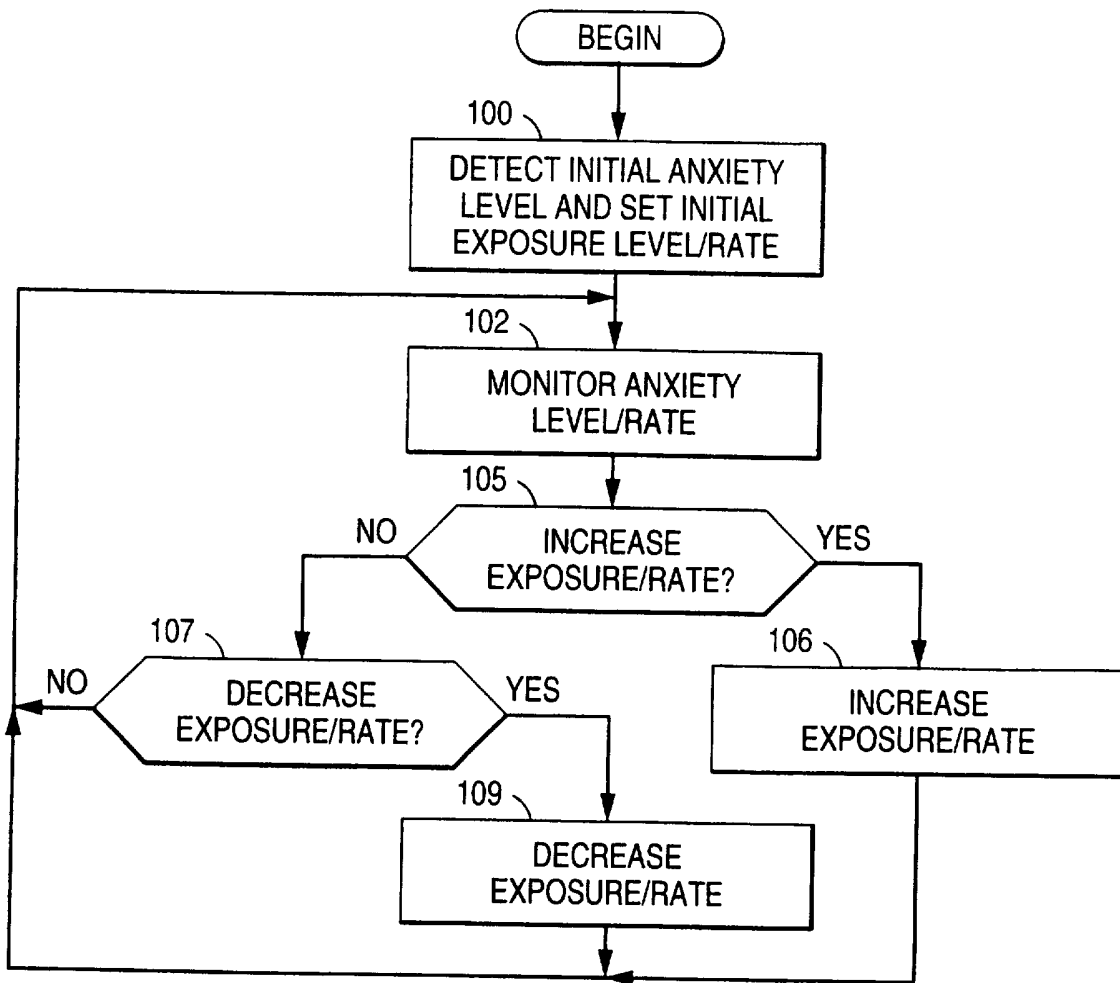


FIG 3

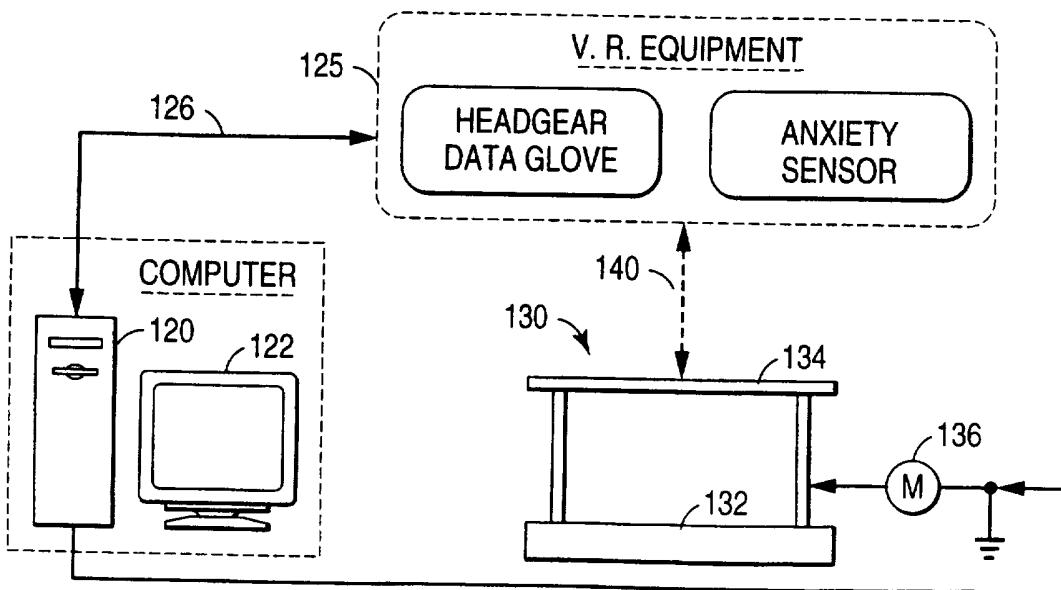


FIG 4

3/15

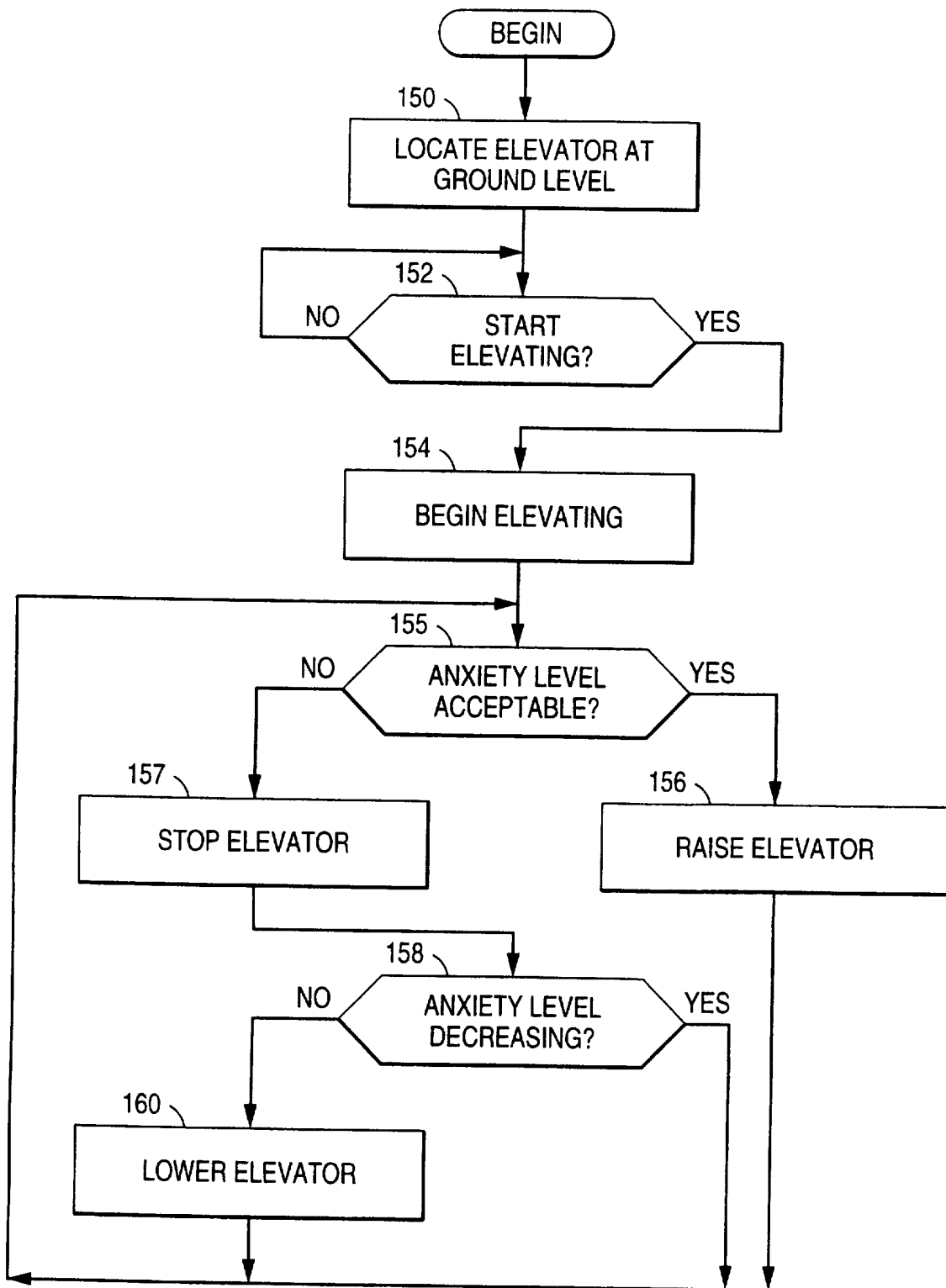


FIG 5

SUBSTITUTE SHEET (RULE 26)

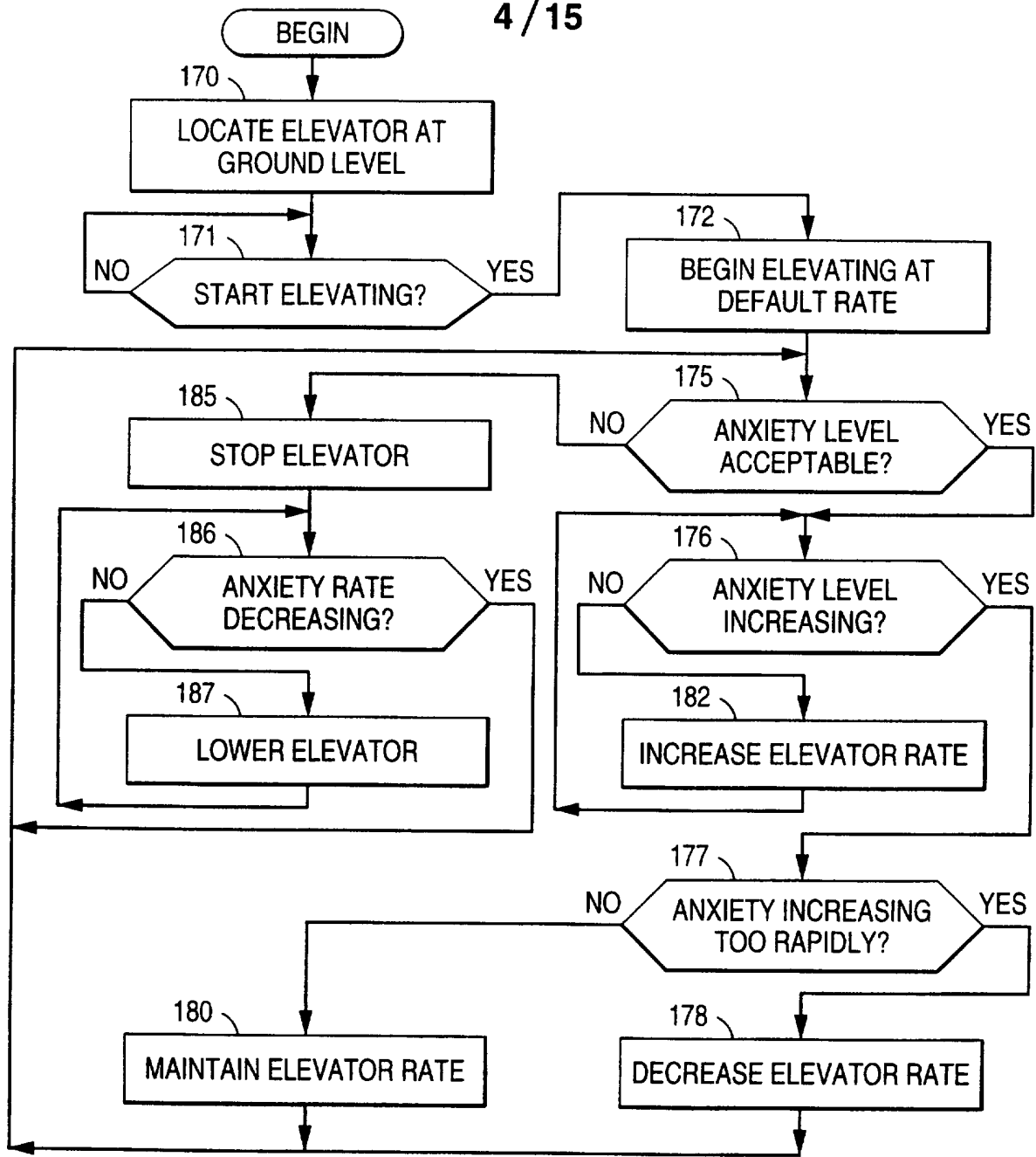


FIG 6

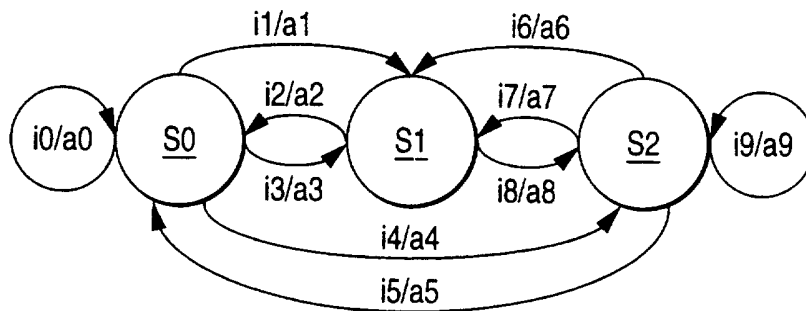


FIG 7

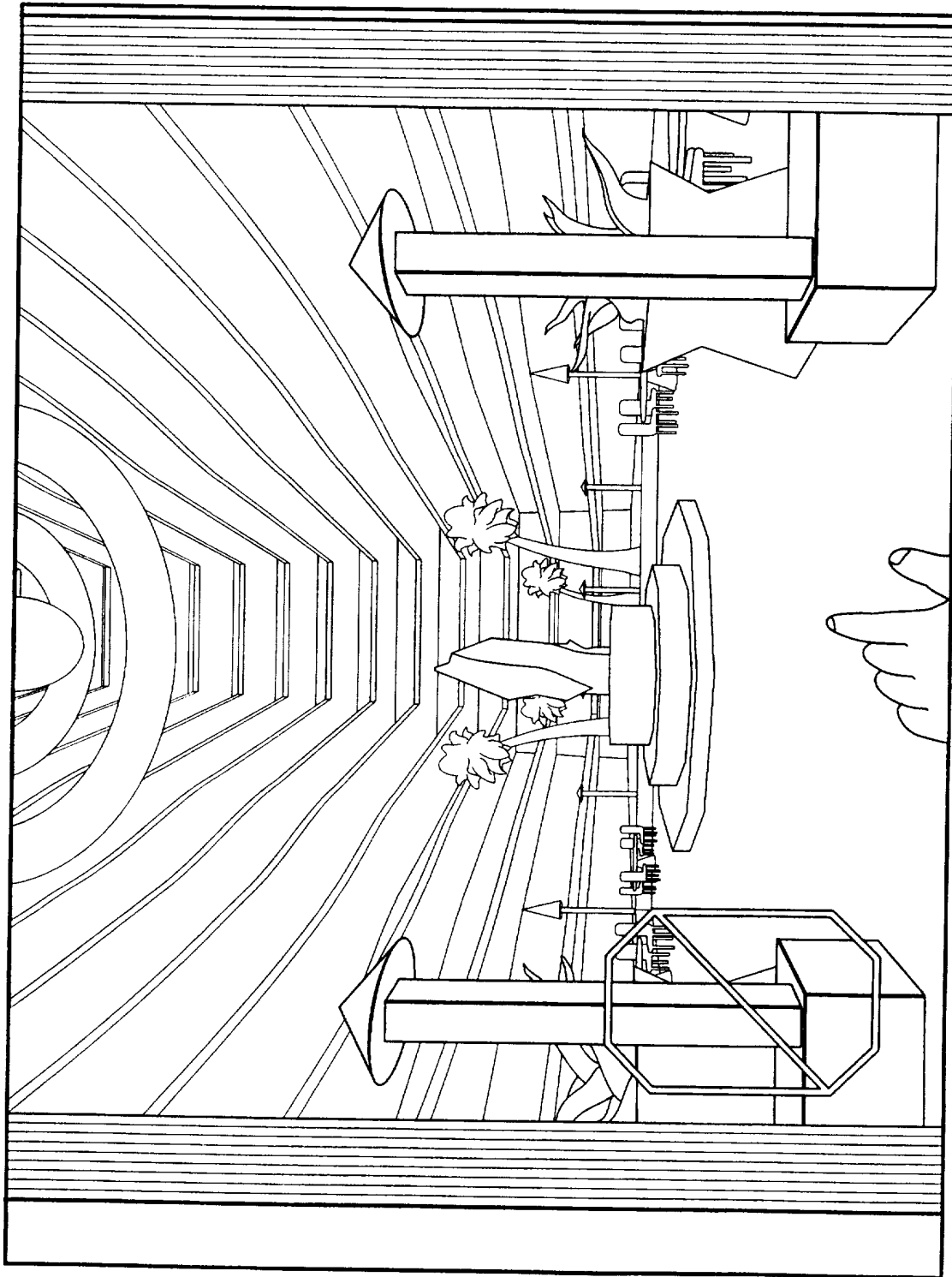


FIG 8A

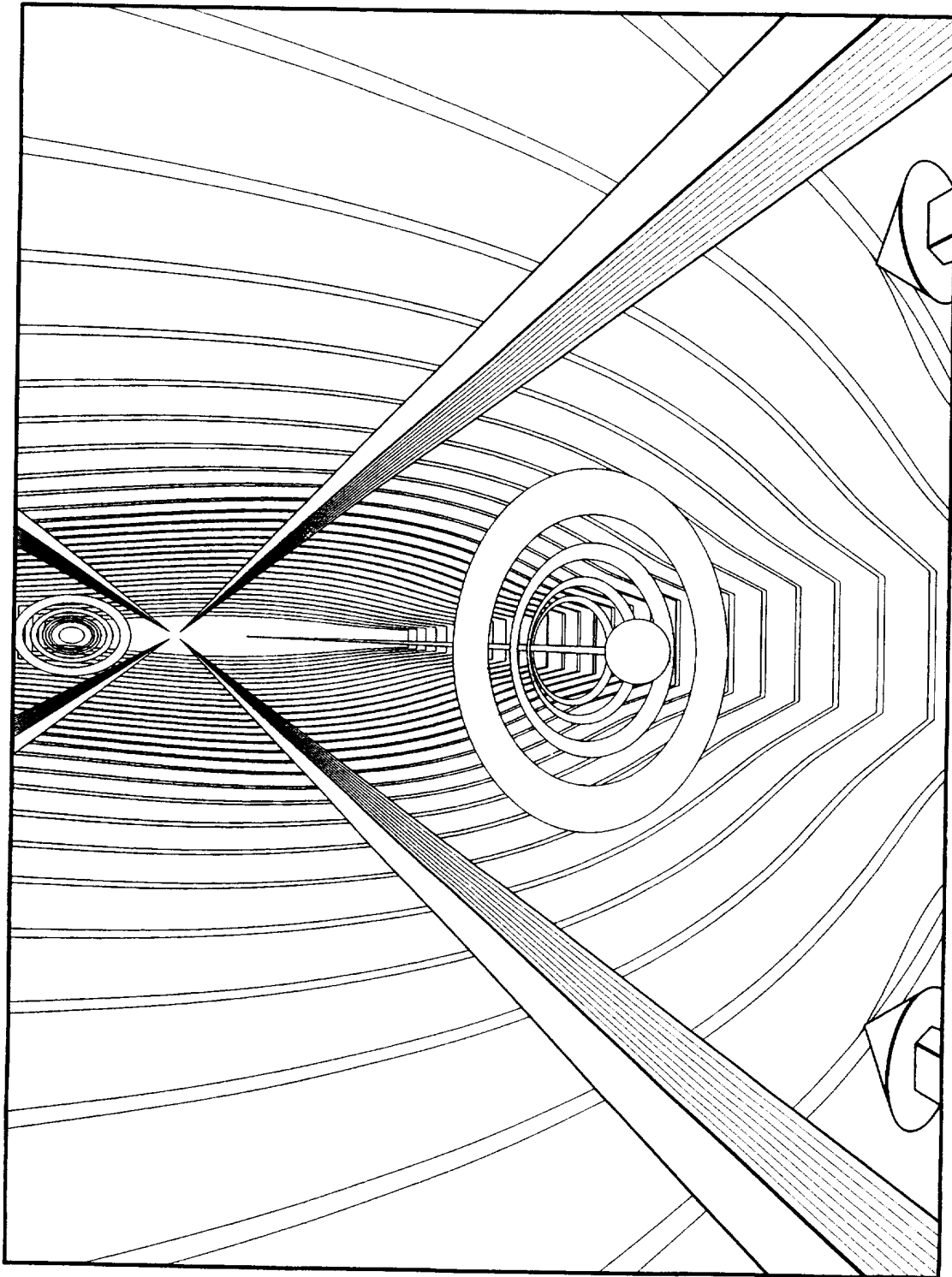


FIG 8B

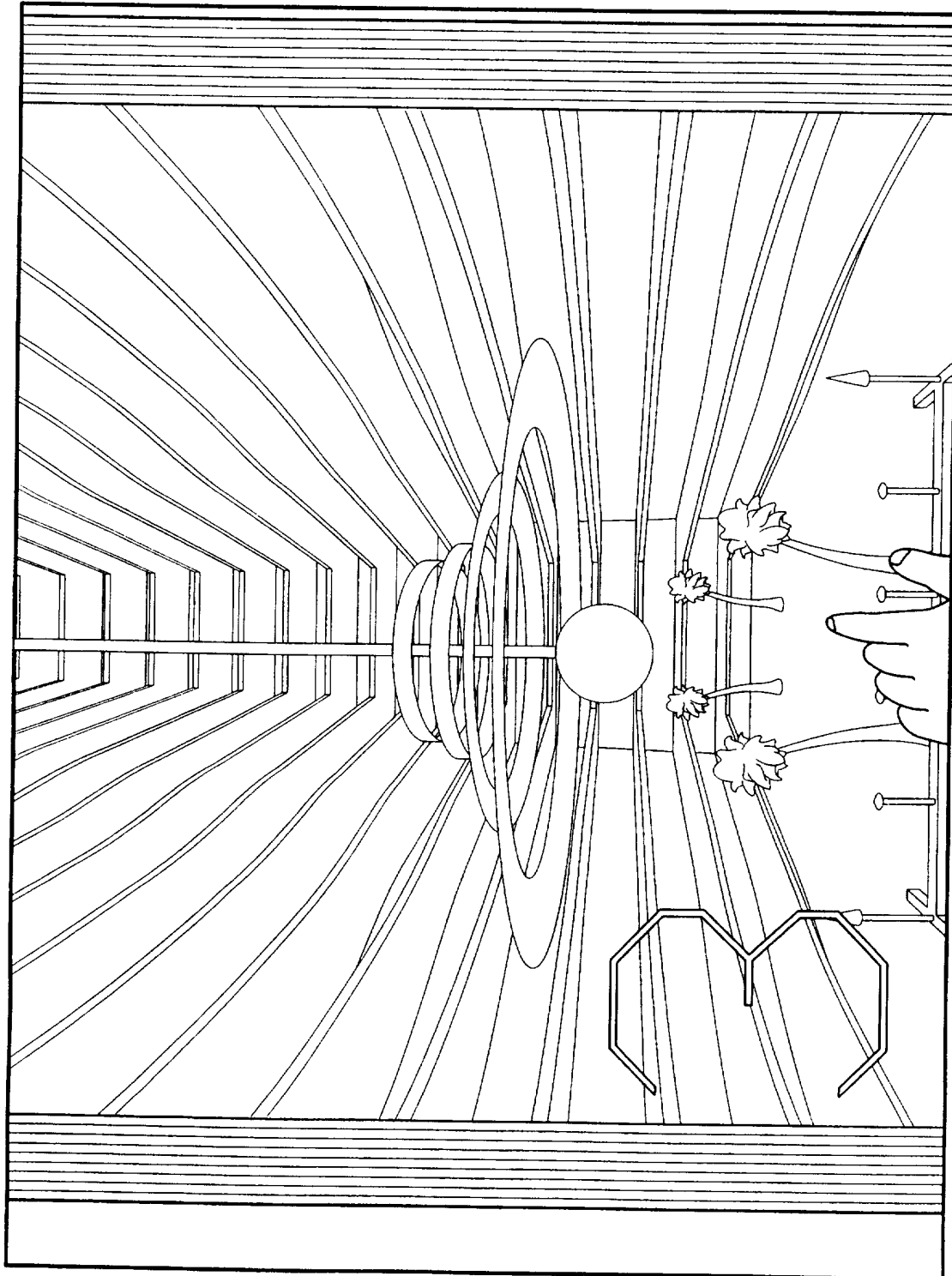


FIG 8C

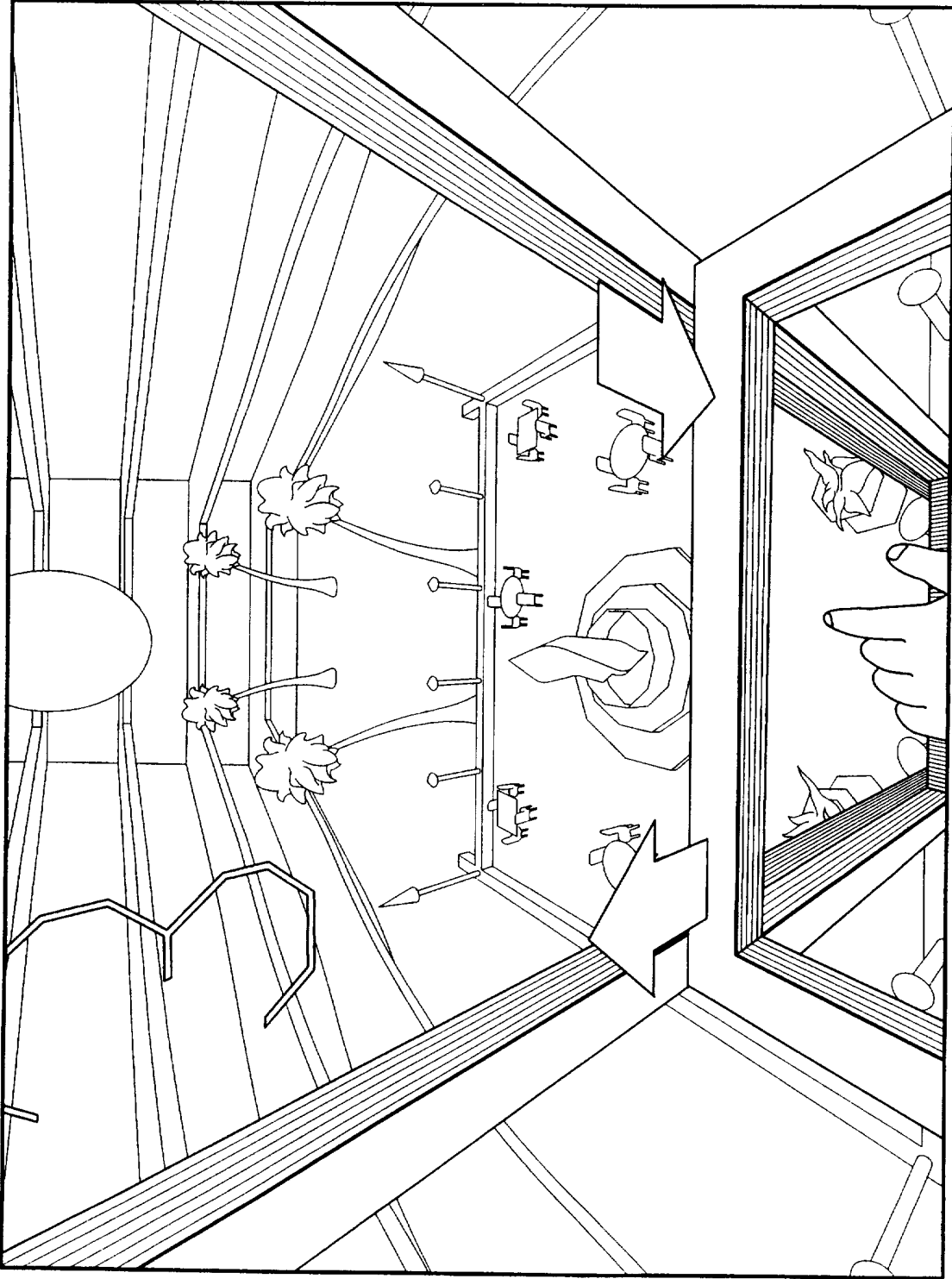


FIG 8D



FIG 9

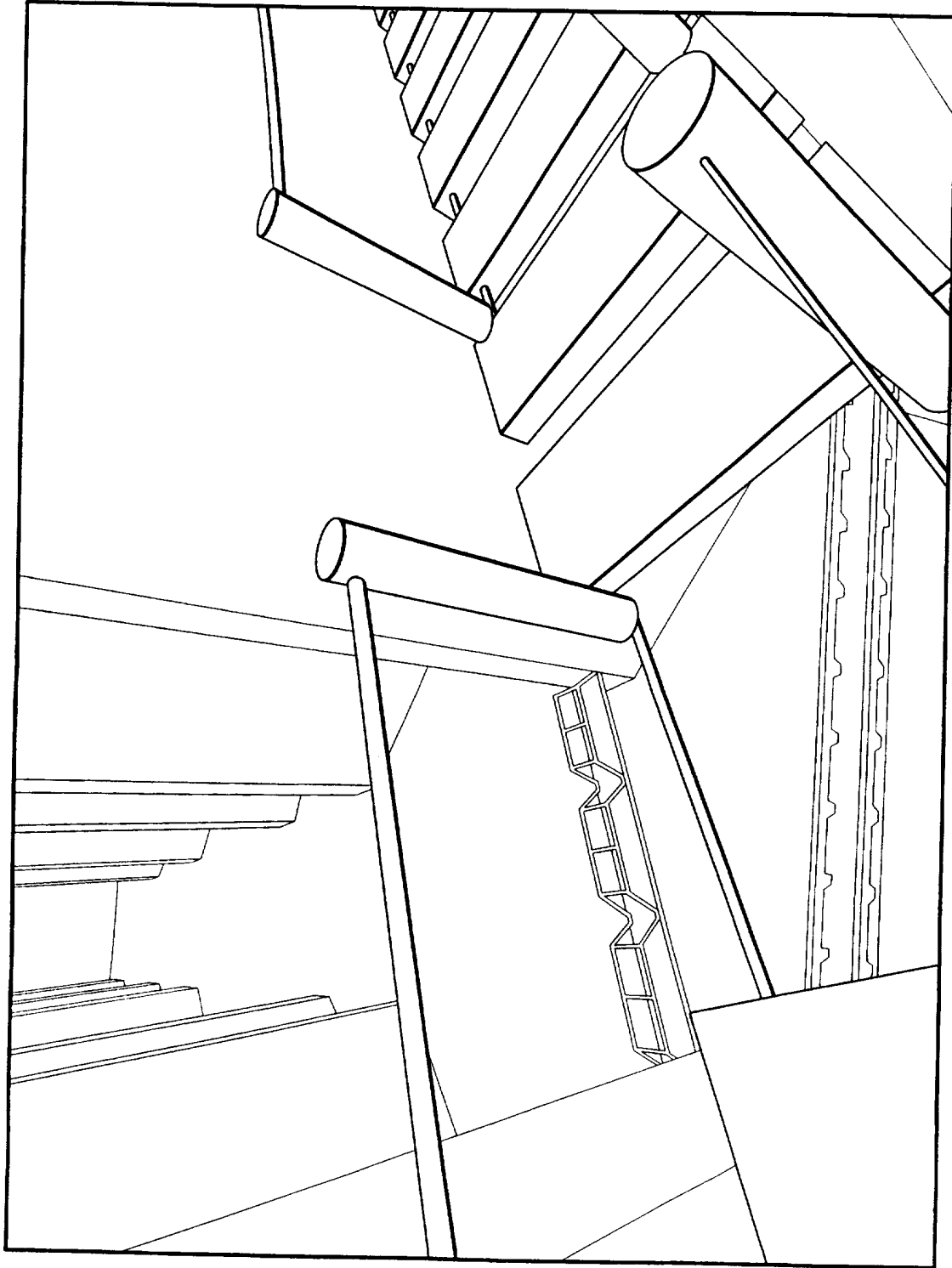


FIG 10

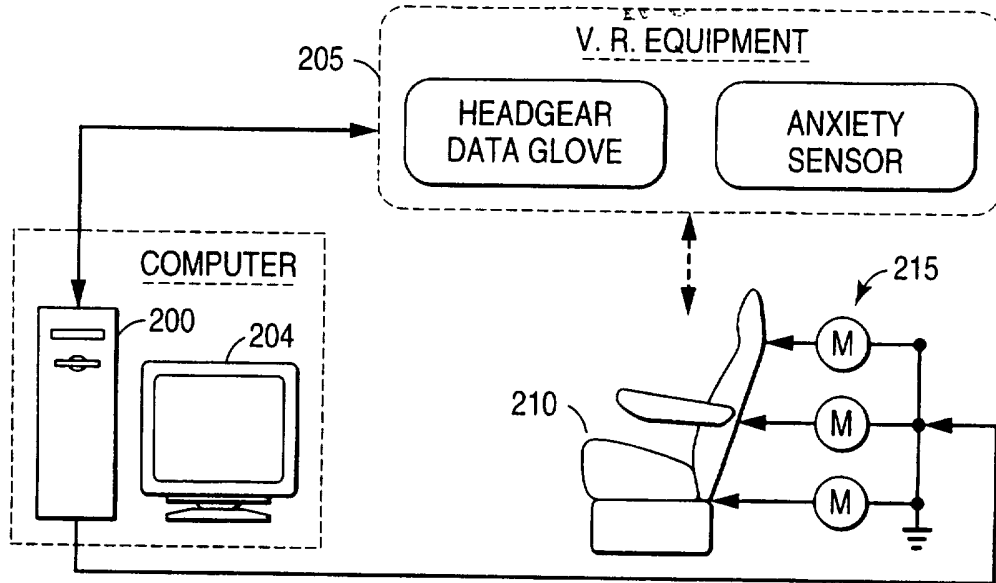


FIG 11

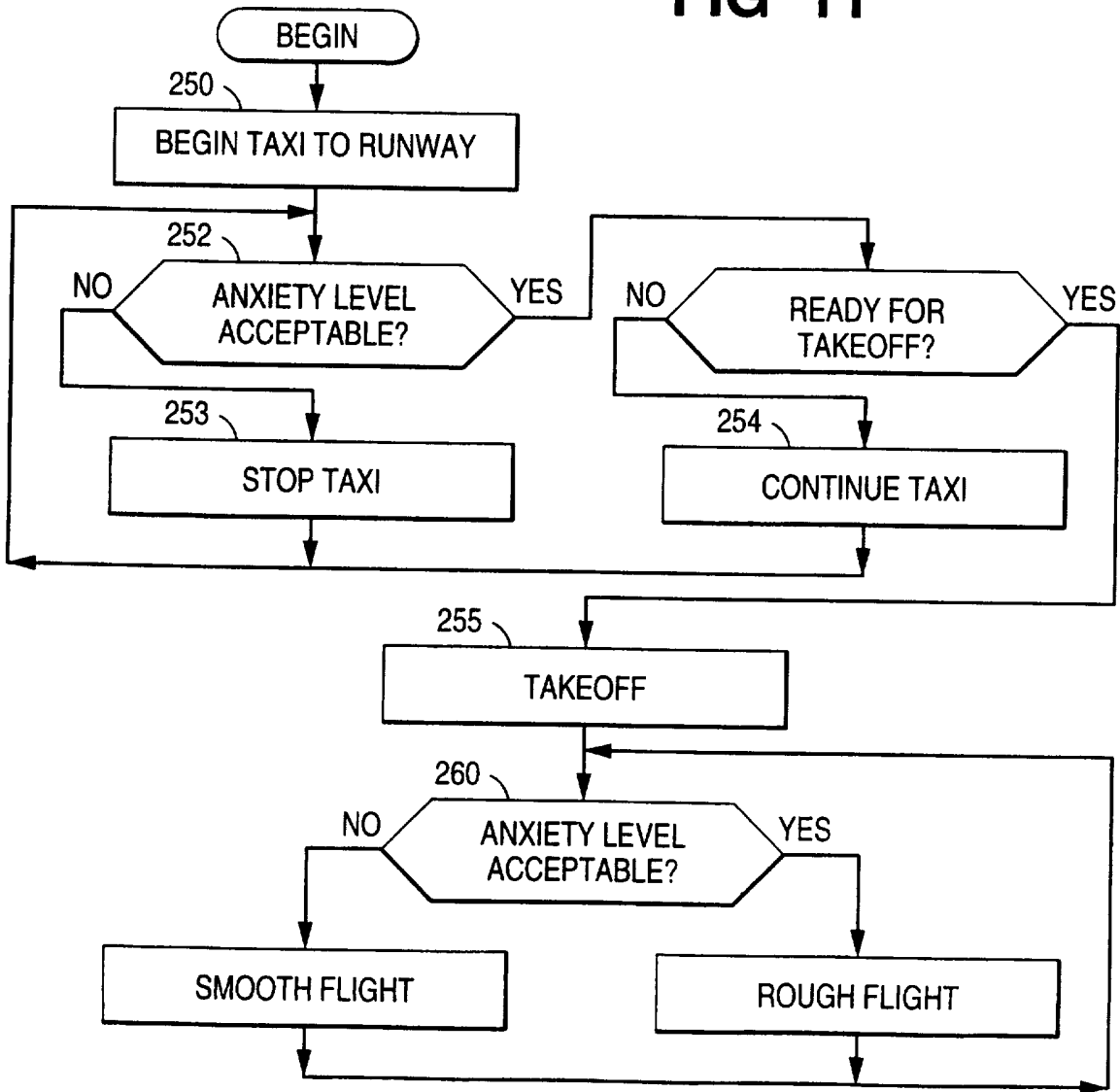


FIG 12

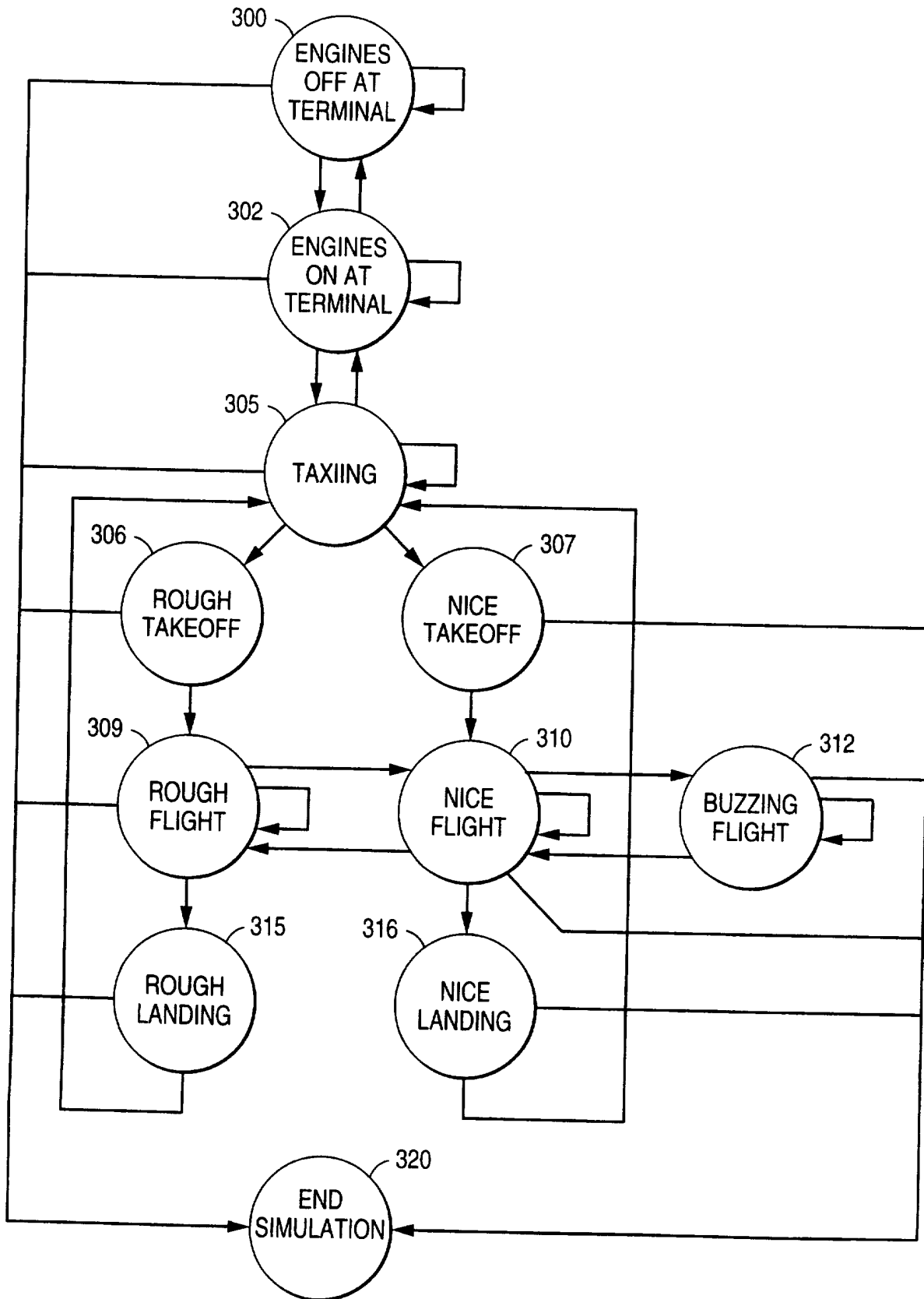


FIG 13

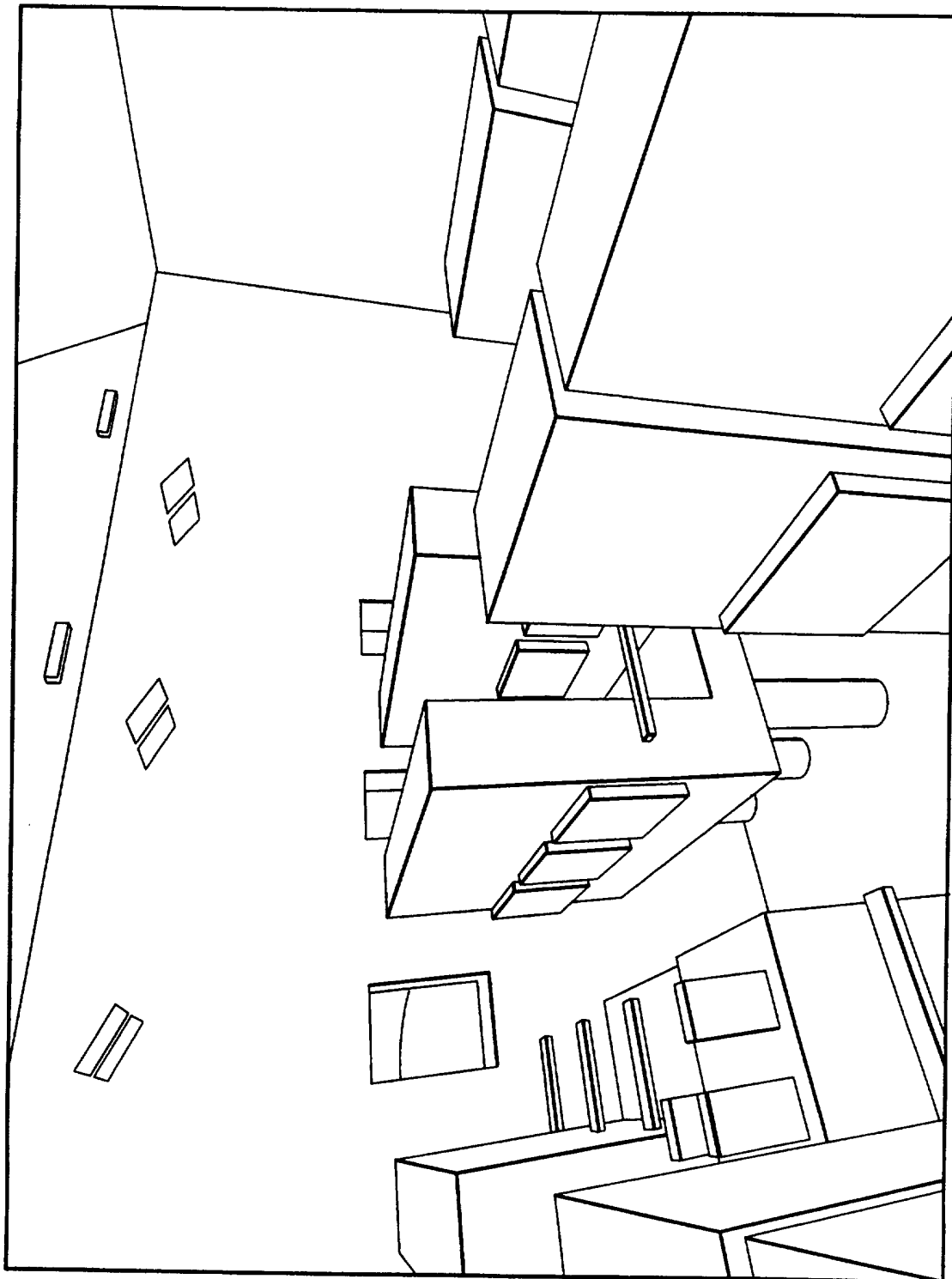


FIG 14

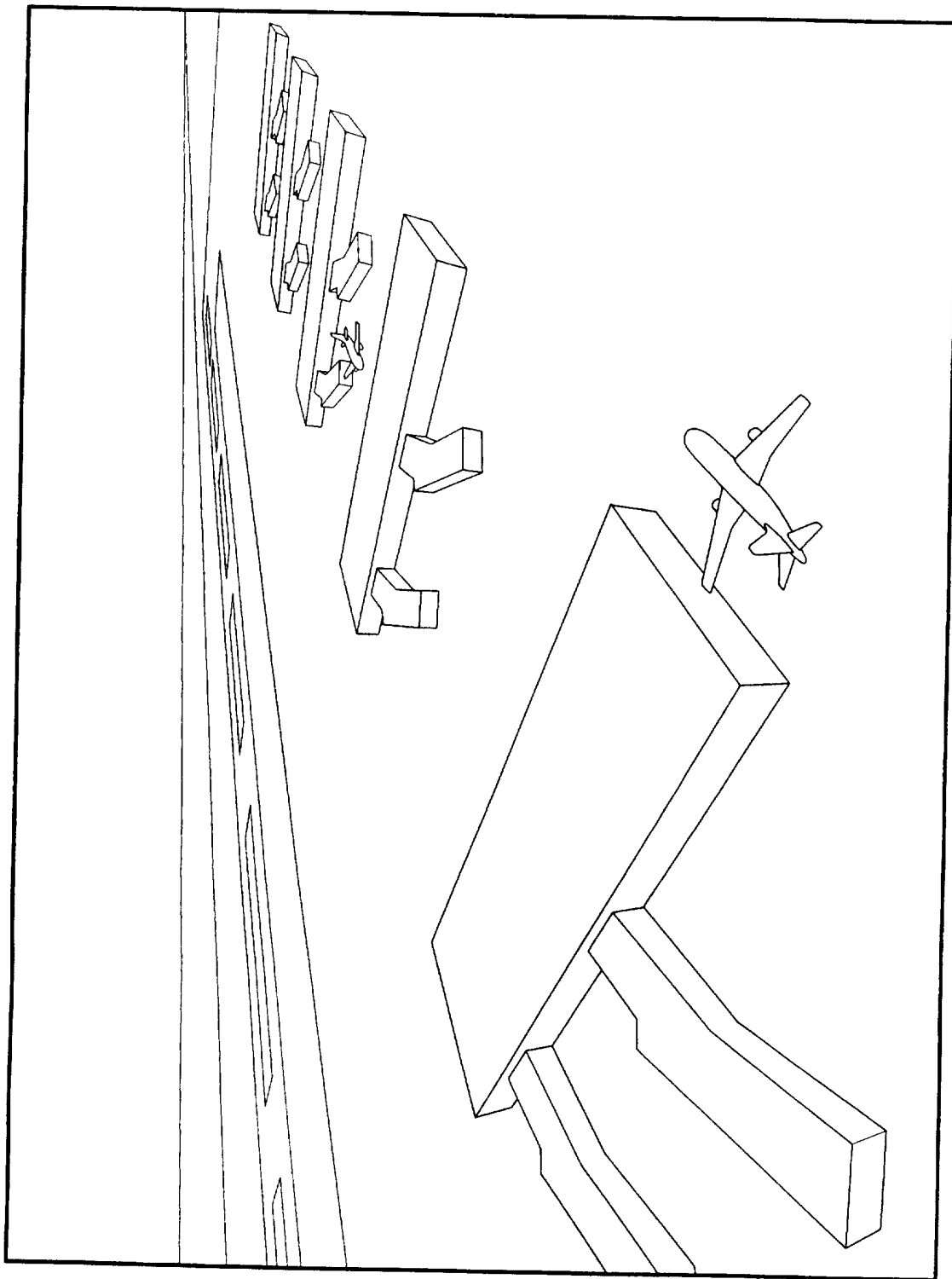


FIG 15

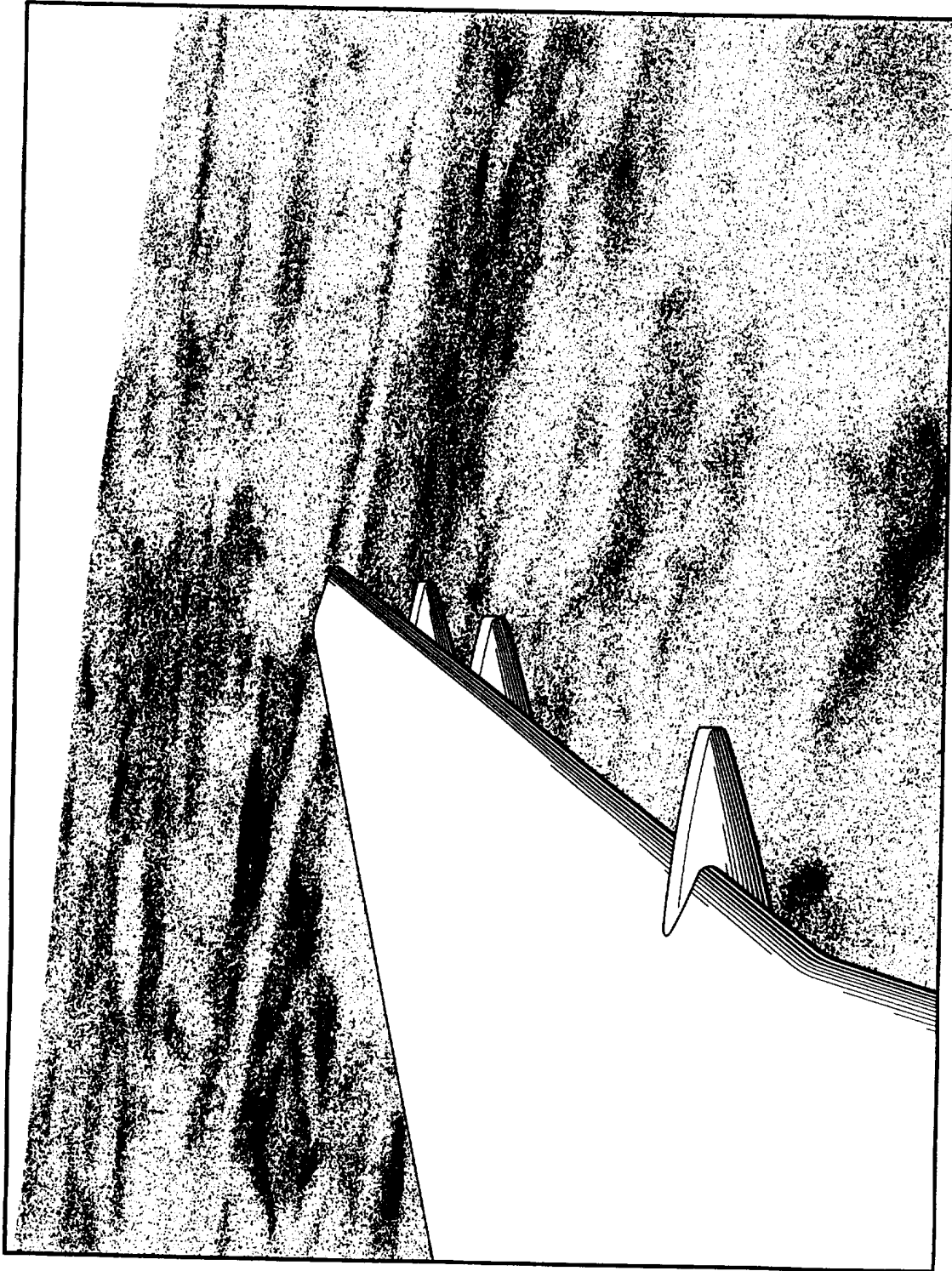


FIG 16

INTERNATIONAL SEARCH REPORT

International application No.
PCT/US97/04880

A. CLASSIFICATION OF SUBJECT MATTER

IPC(6) :Please See Extra Sheet.
US CL :Please See Extra Sheet.

According to International Patent Classification (IPC) or to both national classification and IPC

B. FIELDS SEARCHED

Minimum documentation searched (classification system followed by classification symbols)

U.S. : Please See Extra Sheet.

Documentation searched other than minimum documentation to the extent that such documents are included in the fields searched

Electronic data base consulted during the international search (name of data base and, where practicable, search terms used)
Please See Extra Sheet.

C. DOCUMENTS CONSIDERED TO BE RELEVANT

Category*	Citation of document, with indication, where appropriate, of the relevant passages	Relevant to claim No.
X --- Y	STEVENS, J. E. Flights Into Virtual Reality Treating Real-World Disorders, The Washington Post, 27 March 1995, Science Psychology, entire article.	1, 5-8, 12-14, 19, 20, 22-29, 35-38, 41- 43 ----- 2-4, 9-11, 15-18, 21, 30-34, 39, 40

Further documents are listed in the continuation of Box C. See patent family annex.

- * Special categories of cited documents:
- *A* document defining the general state of the art which is not considered to be of particular relevance
- *E* earlier document published on or after the international filing date
- *L* document which may throw doubts on priority claim(s) or which is cited to establish the publication date of another citation or other special reason (as specified)
- *O* document referring to an oral disclosure, use, exhibition or other means
- *P* document published prior to the international filing date but later than the priority date claimed
- *T* later document published after the international filing date or priority date and not in conflict with the application but cited to understand the principle or theory underlying the invention
- *X* document of particular relevance; the claimed invention cannot be considered novel or cannot be considered to involve an inventive step when the document is taken alone
- *Y* document of particular relevance; the claimed invention cannot be considered to involve an inventive step when the document is combined with one or more other such documents, such combination being obvious to a person skilled in the art
- * & * document member of the same patent family

Date of the actual completion of the international search
16 AUGUST 1997

Date of mailing of the international search report
23 SEP 1997

Name and mailing address of the ISA/US
Commissioner of Patents and Trademarks
Box PCT
Washington, D.C. 20231

Authorized officer
John Rovnak
JOHN ROVNAK

Facsimile No. (703) 305-3230

Telephone No. (703) 308-3087

INTERNATIONAL SEARCH REPORT

International application No.

PCT/US97/04880

C (Continuation). DOCUMENTS CONSIDERED TO BE RELEVANT

Category*	Citation of document, with indication, where appropriate, of the relevant passages	Relevant to claim No.
X --- Y	KOOPER, R. Virtually Present, Treatment of Acrophobia by Using Virtual Reality Graded Exposure, Delft University of Technology, Computer Science, Department of Information Systems, 19 August 1994. cover page, Table of Contents, pages 6, 7, 22, 26, 27, 29-39, 42-44, 48, 49, 51, 56, 57, 60-64, especially sections 2.1, 4.2, 5.4, 5.5, 6.1.3, 6.1.4, 6.2, 6.6, 7.2.1, 7.3.1, 8.2 and 8.5.	1, 5-8, 12-14, 19, 20, 22-29, 32, 33, 35-38, 41-43 ----- 2-4, 9-11, 15-18, 21, 30, 31, 34, 39, 40
X --- Y	US 5,320,538 A (BAUM) 14 June 1994, entire document.	1, 2, 5-8, 12, 24- 29, 32-43 ----- 3, 4, 9-11, 13-23 30, 31
Y	TOON, JOHN, Marketing on the World Wide Web, Georgia Tech, Research Horizons, Vol. 13, Number 1, Spring 1995, entire article.	15-18, 21
Y	US 5,316,480 A (ELLSWORTH) 31 May 1994, entire document, especially Fig. 22, and cols. 4, 5 and 7-12.	2-4, 30-34, 39, 40
Y	US 5,447,166 A (GEVINS) 05 September 1995, entire document, especially cols. 1-6 and 10.	1, 5, 7-11, 37, 41
Y	US 4,683,891 A (CORNELLIER et al) 04 August 1987, entire document.	1, 5, 7-11, 37, 41
Y,O,P	CURING ACROPHOBIA, (Chris), Discovery Channel Online, Cyberlife, The Digital Culture, Show #1202, June 18, 1996 (Chris).	9-11
Y	US 5,469,511 A (LEWIS et al) 21 November 1995, entire document.	1, 5, 7, 26-29, 35-38, 41
Y	EXERTAINMENT, The Interactive Workout That Makes Exercise Time Fly!, Life Fitness Corporation, 1994, entire document, especially under caption titled "Heart Rate Monitor"	1, 5, 7, 9-11, 37, 41

INTERNATIONAL SEARCH REPORT

International application No.

PCT/US97/04880

A. CLASSIFICATION OF SUBJECT MATTER:

IPC (6):

A63G 31/00, 16; A63J 5/02; G09B 3/00. 5/00, 7/00, 9/00, 02, 04, 08, 14, 19/00, 14, 16; G06G 7/48

A. CLASSIFICATION OF SUBJECT MATTER:

US CL :

364,578; 434/29, 30, 35, 36, 38, 41, 43, 44, 46, 48-51, 55, 59, 69, 219, 220, 226, 236, 307R, 308-310, 314, 322-324; 472/59-61, 64, 65, 68

B. FIELDS SEARCHED

Minimum documentation searched

Classification System: U.S.

364/578; 434/29, 30, 35, 36, 38, 41, 43, 44, 46, 48-51, 55, 59, 69, 219, 220, 226, 236, 307R 308-310, 314, 322-324; 472/59-61, 64, 65, 68

B. FIELDS SEARCHED

Electronic data bases consulted (Name of data base and where practicable terms used):

APS:

Search Terms: virtual, reality, anxiety, phobia, head, sound, tactile, force, feedback

INTERNET:

Search Terms: Altavista, Lycos, phobia, virtual, reality, Lamson