

(19) World Intellectual Property Organization
International Bureau



(43) International Publication Date
29 November 2001 (29.11.2001)

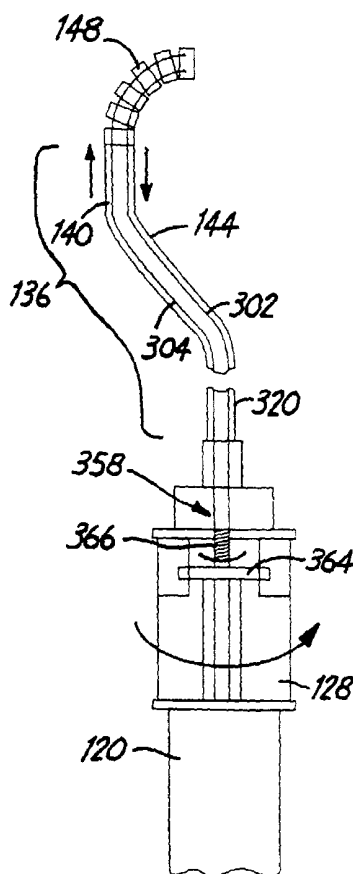
PCT

(10) International Publication Number
WO 01/89440 A3

- (51) International Patent Classification⁷: **A61B 17/00**, 17/064, 17/128
- (74) Agents: **DARDI, Peter, S.** et al.; Patterson, Thunte, Skaar & Christensen P.A., 4800 IDS Center, 80th South, 80th Street, Minneapolis, MN 55402-2100 (US).
- (21) International Application Number: PCT/US01/15905
- (22) International Filing Date: 16 May 2001 (16.05.2001)
- (81) Designated States (*national*): BR, CA, CN, JP.
- (25) Filing Language: English
- (84) Designated States (*regional*): European patent (AT, BE, CH, CY, DE, DK, ES, FI, FR, GB, GR, IE, IT, LU, MC, NL, PT, SE, TR).
- (26) Publication Language: English
- (30) Priority Data: 09/578,984 25 May 2000 (25.05.2000) US
- Published:**
— with international search report
— before the expiration of the time limit for amending the claims and to be republished in the event of receipt of amendments
- (71) Applicant: **ST. JUDE MEDICAL, INC.** [US/US]; One Lillehei Plaza, St. Paul, MN 55117 (US).
- (72) Inventors: **KUEHN, Stephen, T.**; 8761 Inverness Road, Woodbury, MN 55125 (US). **MONTPETIT, Karen, M.**; 1711 Lilac Lane, Mendota Heights, MN 55118 (US).
- (88) Date of publication of the international search report: 4 April 2002

[Continued on next page]

(54) Title: DEVICES WITH A BENDABLE TIP FOR MEDICAL PROCEDURES



(57) Abstract: An improved device (100) for performing medical procedures, preferably minimally invasive medical procedures, preferably minimally invasive medical procedures, includes a shaft (104) with a proximal and distal end and a bendable tip (108) extending from the distal end of the shaft (104). In some preferred embodiments, a fastener applicator (112) extends from the bendable tip (108). In other preferred embodiments, a malleable section (106) is located between the bendable tip (108) and the shaft (104). The bendable tip (108) can include a plurality of articulating segments (148, 150). The improved directional device can be used to repair native valves in a patient, especially heart valves.



WO 01/89440 A3



For two-letter codes and other abbreviations, refer to the "Guidance Notes on Codes and Abbreviations" appearing at the beginning of each regular issue of the PCT Gazette.

INTERNATIONAL SEARCH REPORT

International Application No
PCT/US 01/15905

A. CLASSIFICATION OF SUBJECT MATTER
IPC 7 A61B17/00 A61B17/064 A61B17/128

According to International Patent Classification (IPC) or to both national classification and IPC

B. FIELDS SEARCHED

Minimum documentation searched (classification system followed by classification symbols)
IPC 7 A61B

Documentation searched other than minimum documentation to the extent that such documents are included in the fields searched

Electronic data base consulted during the international search (name of data base and, where practical, search terms used)
EPO-Internal, WPI Data

C. DOCUMENTS CONSIDERED TO BE RELEVANT

Category	Citation of document, with indication, where appropriate, of the relevant passages	Relevant to claim No.
X	US 5 042 707 A (TAHERI) 27 August 1991 (1991-08-27) the whole document	1,2,4,8, 14-16
Y	---	3,5-7, 9-13,17
Y	DE 42 22 121 C (KERNFORSCHUNGSZENTRUM KARLSRUHE GMBH) 30 September 1993 (1993-09-30) abstract; figures column 3, line 1-25	3,5-7, 10,11
Y	US 5 989 182 A (HORI ET AL.) 23 November 1999 (1999-11-23) abstract; figures	9
	--- -/--	

Further documents are listed in the continuation of box C.

Patent family members are listed in annex.

Special categories of cited documents:

- "A" document defining the general state of the art which is not considered to be of particular relevance
- "E" earlier document but published on or after the international filing date
- "L" document which may throw doubts on priority claim(s) or which is cited to establish the publication date of another citation or other special reason (as specified)
- "O" document referring to an oral disclosure, use, exhibition or other means
- "P" document published prior to the international filing date but later than the priority date claimed

- "T" later document published after the international filing date or priority date and not in conflict with the application but cited to understand the principle or theory underlying the invention
- "X" document of particular relevance; the claimed invention cannot be considered novel or cannot be considered to involve an inventive step when the document is taken alone
- "Y" document of particular relevance; the claimed invention cannot be considered to involve an inventive step when the document is combined with one or more other such documents, such combination being obvious to a person skilled in the art.
- "&" document member of the same patent family

Date of the actual completion of the international search

7 November 2001

Date of mailing of the international search report

12.2.02

Name and mailing address of the ISA

European Patent Office, P.B. 5818 Patentlaan 2
NL - 2280 HV Rijswijk
Tel. (+31-70) 340-2040, Tx. 31 651 epo nl,
Fax: (+31-70) 340-3016

Authorized officer

GIMENEZ BURGOS, R

INTERNATIONAL SEARCH REPORT

 International Application No
 PCT/US 01/15905

C.(Continuation) DOCUMENTS CONSIDERED TO BE RELEVANT		
Category *	Citation of document, with indication, where appropriate, of the relevant passages	Relevant to claim No.
Y	WO 99 13777 A (SEGUIN) 25 March 1999 (1999-03-25) abstract; figures page 6, line 14 -page 9, line 23 ---	12,13
Y	DE 42 43 715 A (KOSCHER ET AL.) 7 July 1994 (1994-07-07) abstract; figures column 4, line 24-35 ---	17
X	US 5 897 487 A (OUCHI) 27 April 1999 (1999-04-27) abstract; figures column 3, line 1-3 ---	1,3
A	US 5 174 276 A (CROCKARD) 29 December 1992 (1992-12-29) abstract; figures -----	1

INTERNATIONAL SEARCH REPORT

In ternational application No.
PCT/US 01/15905

Box I Observations where certain claims were found unsearchable (Continuation of item 1 of first sheet)

This International Search Report has not been established in respect of certain claims under Article 17(2)(a) for the following reasons:

1. Claims Nos.: 37-48
because they relate to subject matter not required to be searched by this Authority, namely:
Rule 39.1(iv) PCT - Method for treatment of the human or animal body by surgery
2. Claims Nos.:
because they relate to parts of the International Application that do not comply with the prescribed requirements to such an extent that no meaningful International Search can be carried out, specifically:
3. Claims Nos.:
because they are dependent claims and are not drafted in accordance with the second and third sentences of Rule 6.4(a).

Box II Observations where unity of invention is lacking (Continuation of item 2 of first sheet)

This International Searching Authority found multiple inventions in this international application, as follows:

see additional sheet

1. As all required additional search fees were timely paid by the applicant, this International Search Report covers all searchable claims.
2. As all searchable claims could be searched without effort justifying an additional fee, this Authority did not invite payment of any additional fee.
3. As only some of the required additional search fees were timely paid by the applicant, this International Search Report covers only those claims for which fees were paid, specifically claims Nos.:
4. No required additional search fees were timely paid by the applicant. Consequently, this International Search Report is restricted to the invention first mentioned in the claims; it is covered by claims Nos.:

1-17

Remark on Protest

- The additional search fees were accompanied by the applicant's protest.
 No protest accompanied the payment of additional search fees.

FURTHER INFORMATION CONTINUED FROM PCT/ISA/ 210

This International Searching Authority found multiple (groups of) inventions in this international application, as follows:

1. Claims: 1-17

Device comprising a fastener applicator

2. Claims: 18-23

Device comprising a malleable section extending from the distal end of the shaft

3. Claims: 24-36

Device comprising a cord for controlling the movement of a bendable tip extending from the shaft

INTERNATIONAL SEARCH REPORT

Information on patent family members

International Application No PCT/US 01/15905
--

Patent document cited in search report	A	Publication date	Patent family member(s)	Publication date
US 5042707	A	27-08-1991	NONE	

DE 4222121	C	30-09-1993	DE 4222121 C1	30-09-1993

US 5989182	A	23-11-1999	NONE	

WO 9913777	A	25-03-1999	FR 2768324 A1	19-03-1999
			EP 1011468 A1	28-06-2000
			WO 9913777 A1	25-03-1999
			JP 2001517464 T	09-10-2001

DE 4243715	A	07-07-1994	DE 4243715 A1	07-07-1994

US 5897487	A	27-04-1999	JP 10286225 A	27-10-1998
			JP 10323323 A	08-12-1998
			DE 29806790 U1	25-06-1998

US 5174276	A	29-12-1992	GB 2226245 A	27-06-1990
			WO 9005491 A2	31-05-1990
			JP 4501676 T	26-03-1992
