



US00D826158S

(12) **United States Design Patent**
Riner

(10) **Patent No.:** **US D826,158 S**

(45) **Date of Patent:** **** Aug. 21, 2018**

(54) **SNAP-IN ELECTRICAL RECEPTACLE**

(71) Applicant: **Group Dekko, Inc.**, Garrett, IN (US)

(72) Inventor: **Raymond H. Riner**, Fort Wayne, IN (US)

(73) Assignee: **Group Dekko, Inc.**, Garrett, IN (US)

(**) Term: **15 Years**

(21) Appl. No.: **29/562,475**

(22) Filed: **Apr. 26, 2016**

(51) **LOC (11) Cl.** **13-03**

(52) **U.S. Cl.**
USPC **D13/137.2**

(58) **Field of Classification Search**
USPC D13/108, 110, 123, 133, 137.1-137.4,
D13/138.1-138.2, 139.1-139.8, 152-154,
D13/156, 158, 177, 146, 147;
D8/350-353, 331; D25/138, 163, 164
CPC H01R 25/00; H01R 25/006; H01R 9/00;
H01R 11/00; H01R 3/00; H05K 5/02
See application file for complete search history.

(56) **References Cited**

U.S. PATENT DOCUMENTS

D556,138 S * 11/2007 Ng D13/138.1
D750,559 S * 3/2016 Riner D13/108

D751,501 S * 3/2016 Riner D13/108
D751,502 S * 3/2016 Riner D13/108
D755,717 S * 5/2016 Riner D13/108
9,698,584 B2 * 7/2017 Shotey H02G 3/14

* cited by examiner

Primary Examiner — Rosemary K Tarcza
Assistant Examiner — Christy M Nemeth
(74) *Attorney, Agent, or Firm* — Taylor IP, P.C.

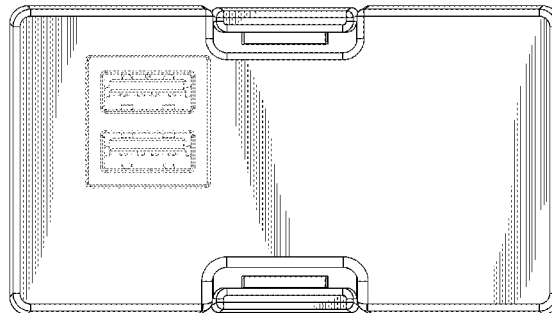
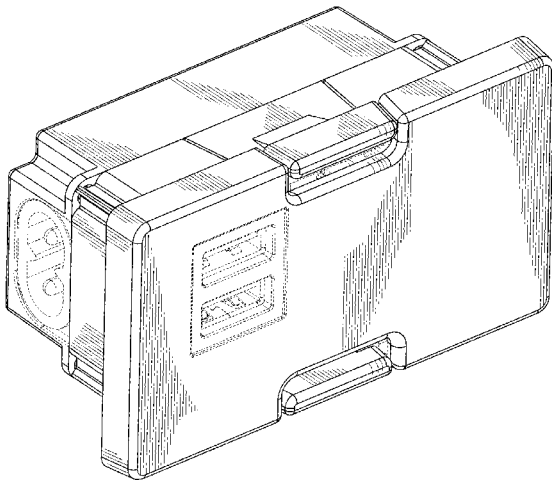
(57) **CLAIM**

The ornamental design for a snap-in electrical receptacle, as shown and described.

DESCRIPTION

FIG. 1 is a front perspective view of a snap-in electrical receptacle showing my new design; FIG. 2 is a rear view thereof; FIG. 3 is a front view thereof; FIG. 4 is a side view thereof; FIG. 5 is a top view thereof; and, FIG. 6 is a side view thereof. In the drawings, the broken lines are for the purpose of illustrating portions of the snap-in electrical receptacle that form no part of the claimed design.

1 Claim, 6 Drawing Sheets



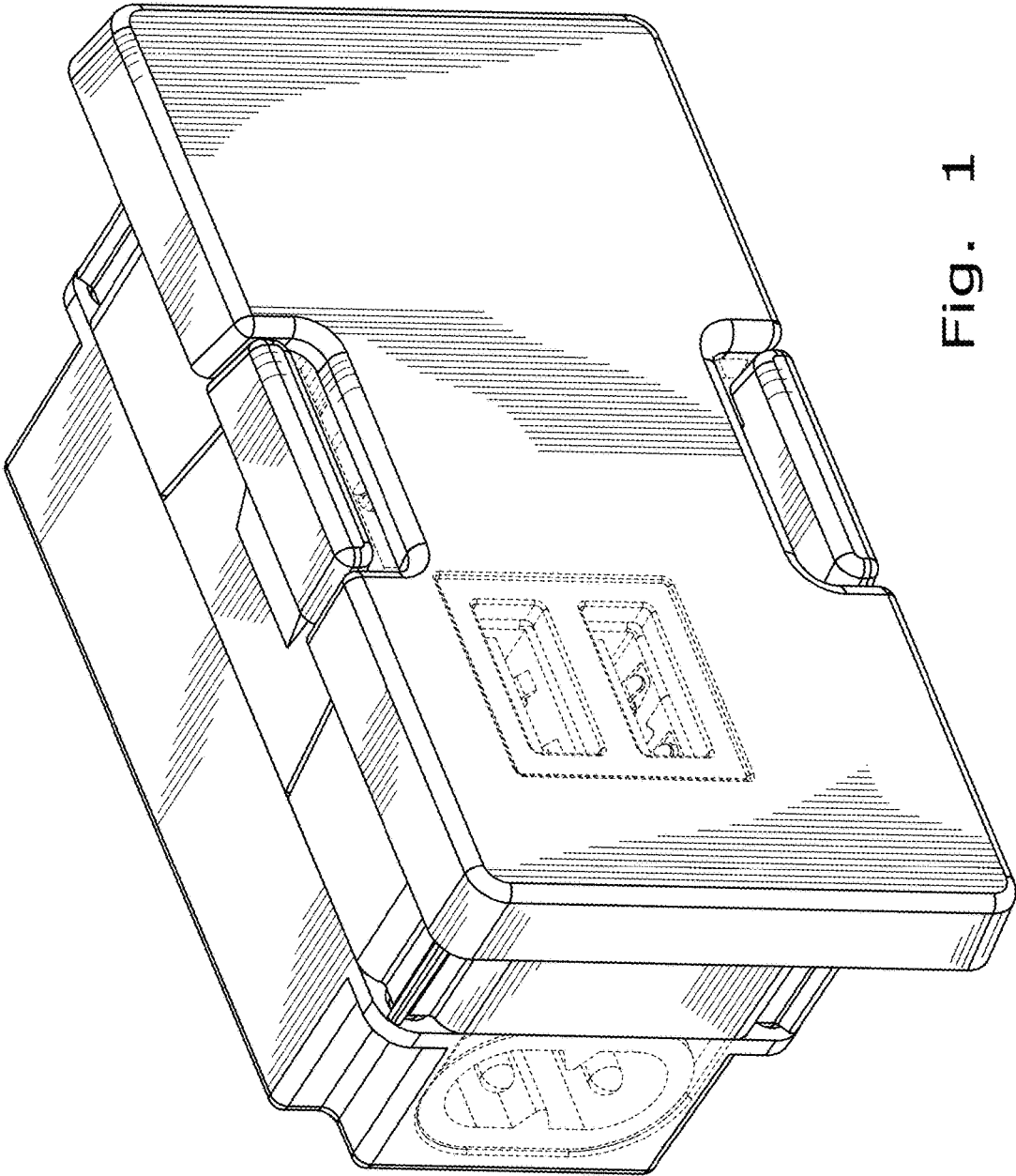


Fig. 1

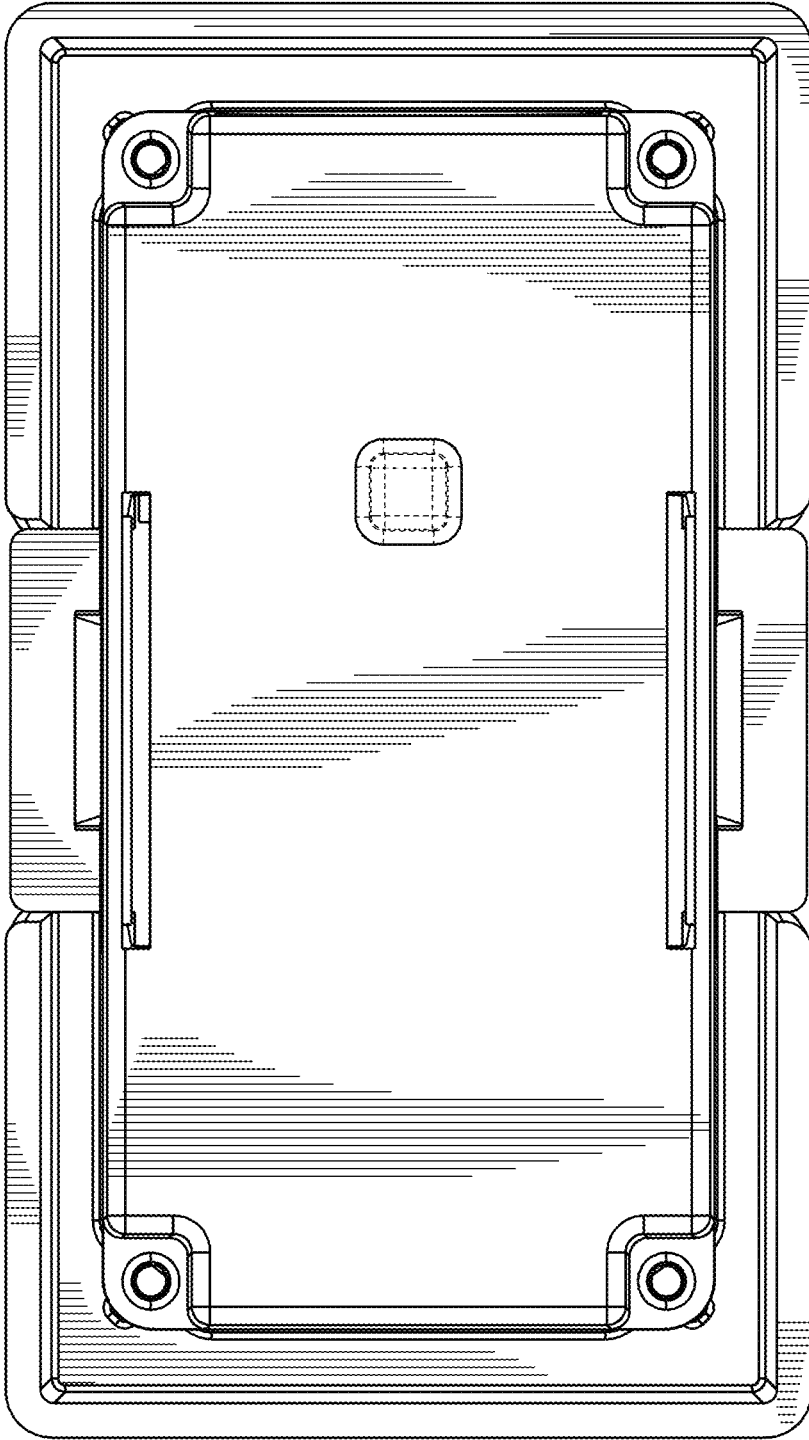


Fig. 2

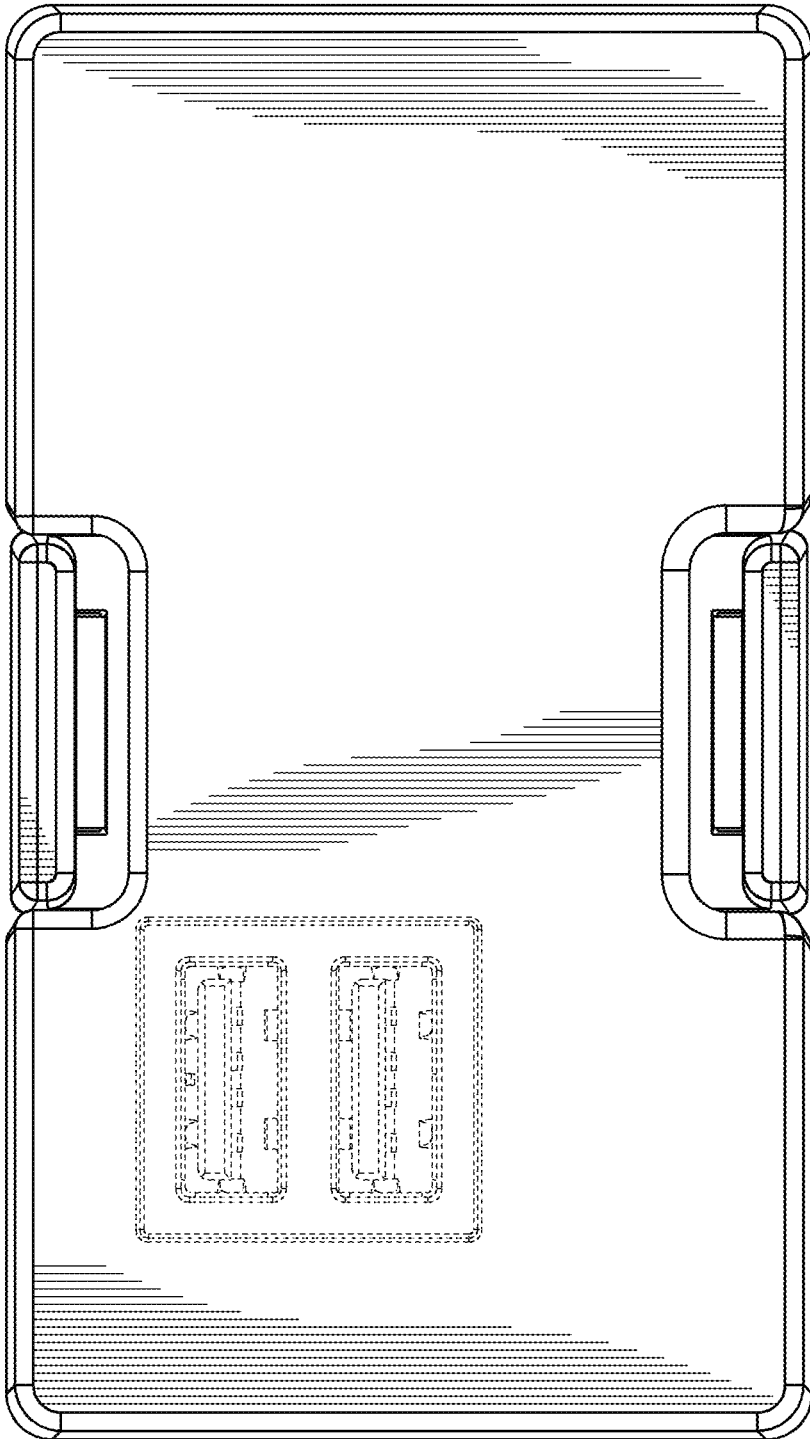


Fig. 3

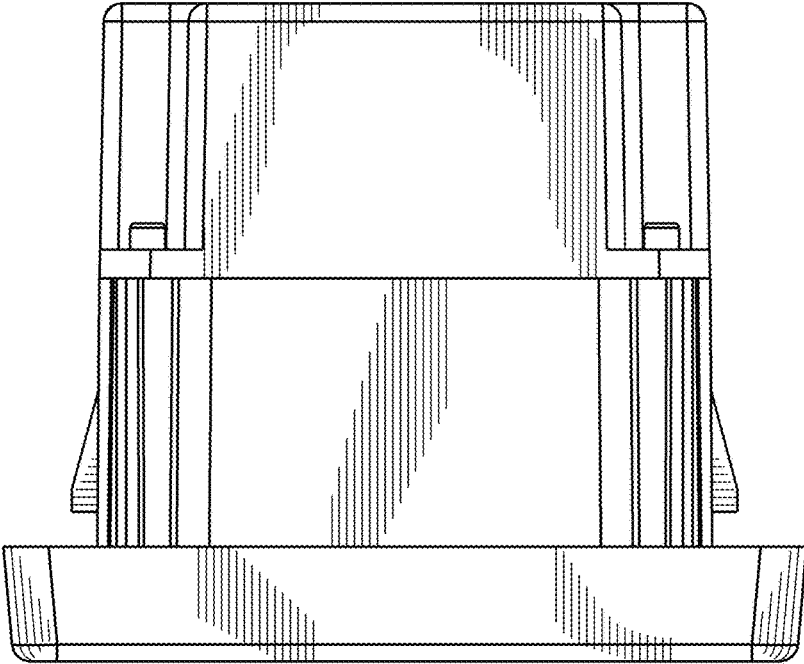


Fig. 4

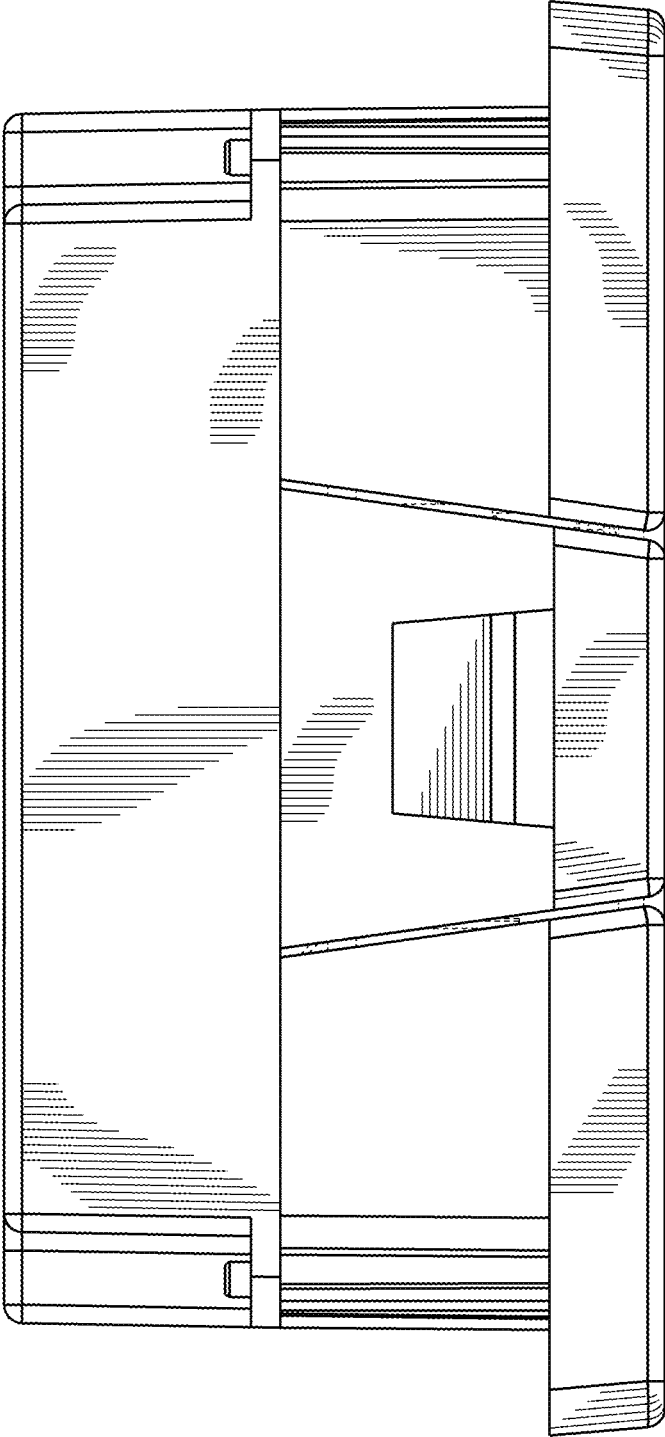


Fig. 5

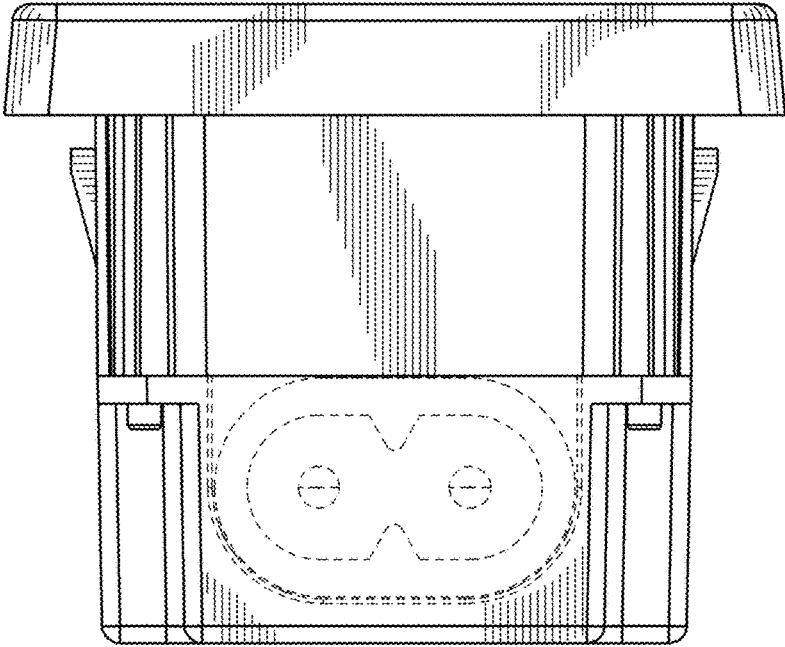


Fig. 6