



US00D613126S

(12) **United States Design Patent**  
**Warner**

(10) **Patent No.:** **US D613,126 S**

(45) **Date of Patent:** **\*\* Apr. 6, 2010**

(54) **MIXING BOWL HAVING A HANDLE IN THE BOTTOM**

(76) Inventor: **Angie Warner**, 708 N. Front,  
Monticello, IL (US) 61856

(\*\*) Term: **14 Years**

(21) Appl. No.: **29/314,308**

(22) Filed: **Mar. 20, 2009**

(51) **LOC (9) Cl.** ..... **07-01**

(52) **U.S. Cl.** ..... **D7/587; D7/584**

(58) **Field of Classification Search** ..... D7/300,  
D7/300.1, 312, 316, 318, 354, 356, 360, 376,  
D7/380, 392.1, 394, 396.2, 396.6, 397, 500,  
D7/501, 503, 505, 507, 523, 532, 535, 538,  
D7/540-555, 557, 558, 560-562, 565, 566,  
D7/570-571, 584-588, 601-602, 611, 624.1,  
D7/629-630, 642, 669, 682-383, 686, 688,  
D7/701; D6/339, 406.1-406.6, 419, 429,  
D6/430; D9/340, 414-418, 420, 422-426,  
D9/428-433, 456-457, 499, 500, 502, 655-657,  
D9/702-703, 737, 749, 755, 761, 769, 772,  
D9/901, 902; D11/152, 154, 155, 156; D12/133,  
D12/416, 419, 426.1; D14/157, 447, 457;  
D19/35; D24/132, 216, 220, 221, 224, 227;  
D26/121; D30/123, 129-130; 220/23.83,  
220/212, 506, 555, 560, 561, 574-575, 577,  
220/657; 206/561, 565; 425/459, 623; 426/106,  
426/119, 120, 127

See application file for complete search history.

(56) **References Cited**

**U.S. PATENT DOCUMENTS**

D107,585 S \* 12/1937 Titze ..... D7/542

D186,038 S \* 9/1959 Stageberg ..... D7/586  
D209,306 S \* 11/1967 Schilling ..... D7/523  
D209,311 S \* 11/1967 Schilling ..... D7/523  
3,730,385 A \* 5/1973 Rost ..... 206/520  
D272,213 S \* 1/1984 Daenen ..... D7/523  
4,446,652 A \* 5/1984 Anderson ..... 47/79  
D394,189 S \* 5/1998 Reynaert et al. .... D7/584  
D447,006 S \* 8/2001 Thun ..... D7/542  
D452,635 S \* 1/2002 Kortleven et al. .... D7/538  
D536,277 S \* 2/2007 Cabeza ..... D11/152  
D537,300 S \* 2/2007 Kim ..... D7/629  
2006/0261065 A1 \* 11/2006 Claypool et al. .... 220/212

**FOREIGN PATENT DOCUMENTS**

GB 3000448 \* 2/2002

\* cited by examiner

*Primary Examiner*—Jeffrey D Asch  
*Assistant Examiner*—Bridget L Eland  
(74) *Attorney, Agent, or Firm*—Ruth Eure

(57) **CLAIM**

The ornamental design for a mixing bowl having a handle in the bottom, as shown and described.

**DESCRIPTION**

FIG. 1 is a top view showing a mixing bowl having a handle in the bottom.

FIG. 2 is a bottom side view thereof;

FIG. 3 is a top perspective view thereof;

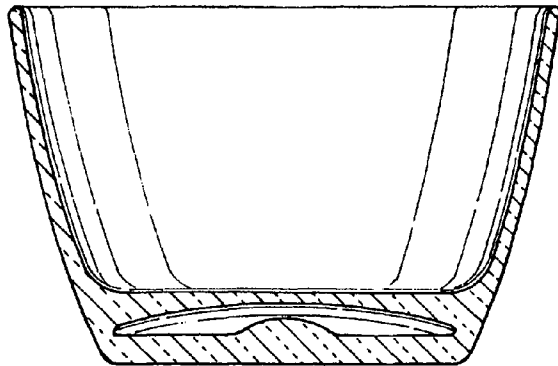
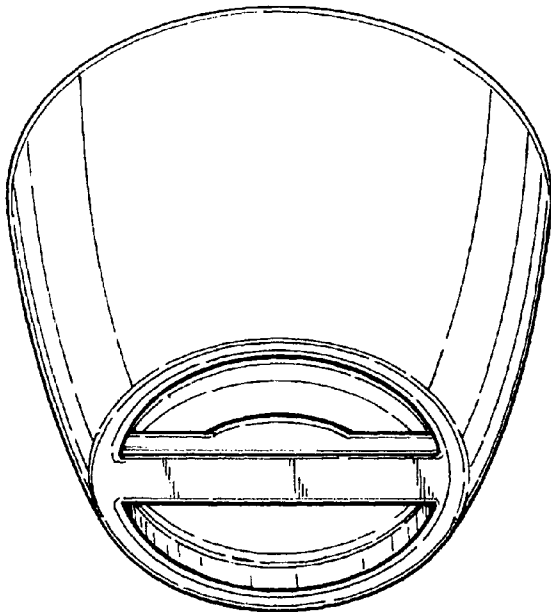
FIG. 4 is a bottom perspective view thereof;

FIG. 5 is a side view thereof;

FIG. 6 is a front or back side view thereof; and,

FIG. 7 is a cross-sectional side view thereof.

**1 Claim, 3 Drawing Sheets**



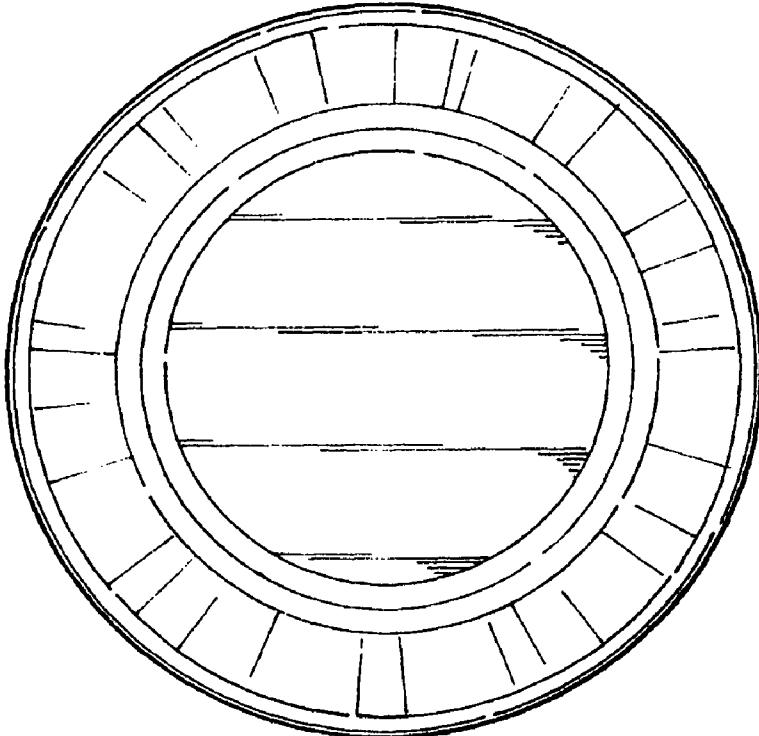


FIG.1

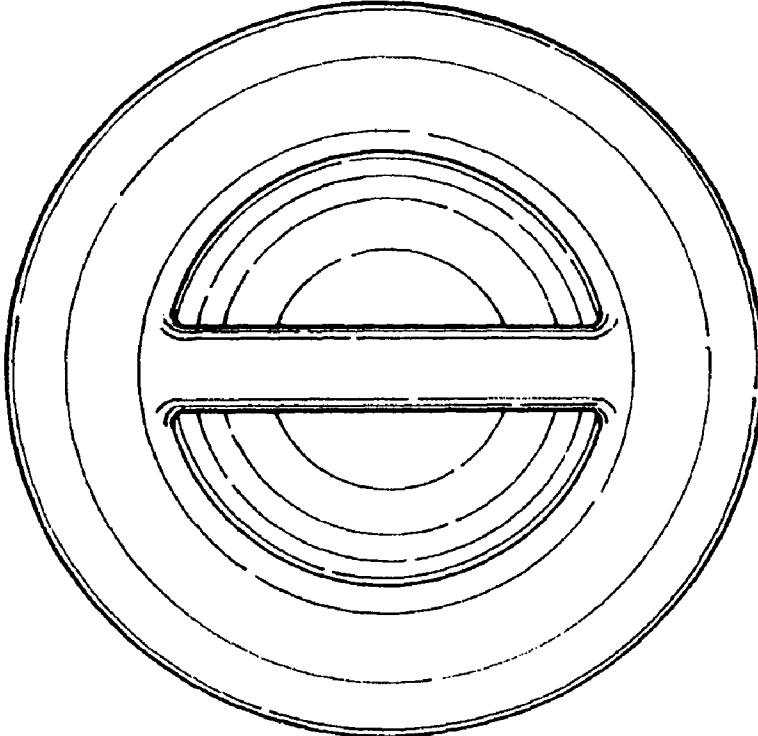


FIG.2

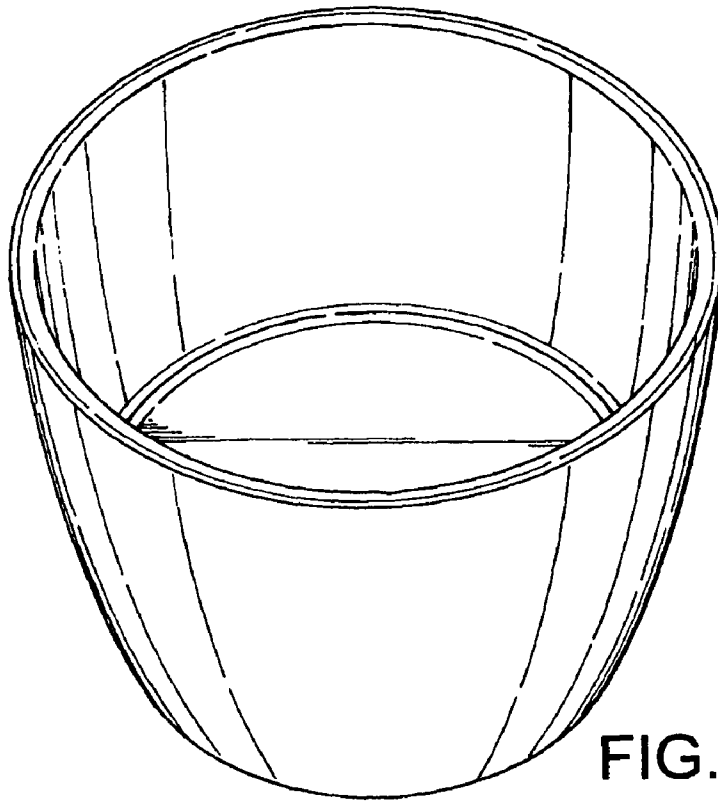


FIG. 3

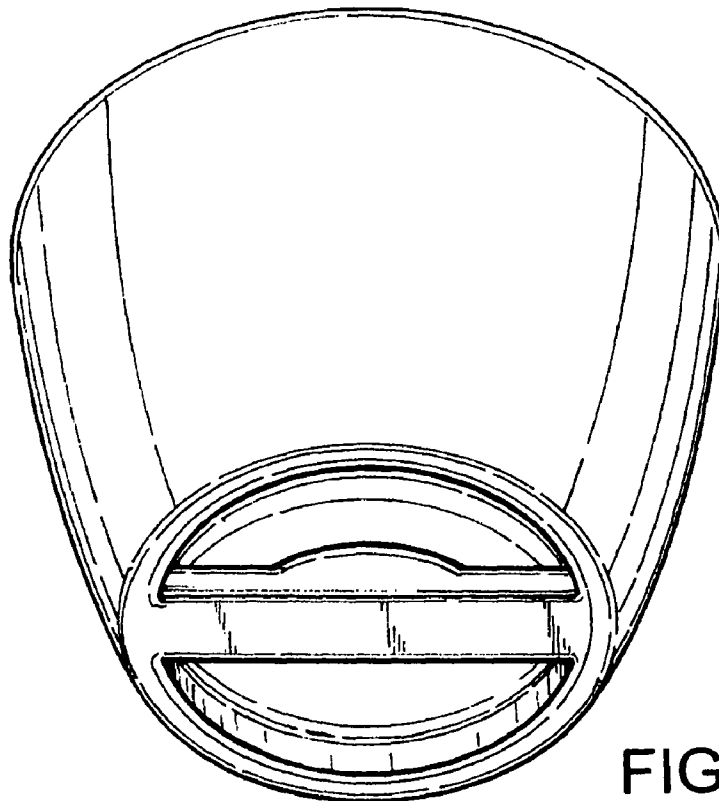


FIG. 4

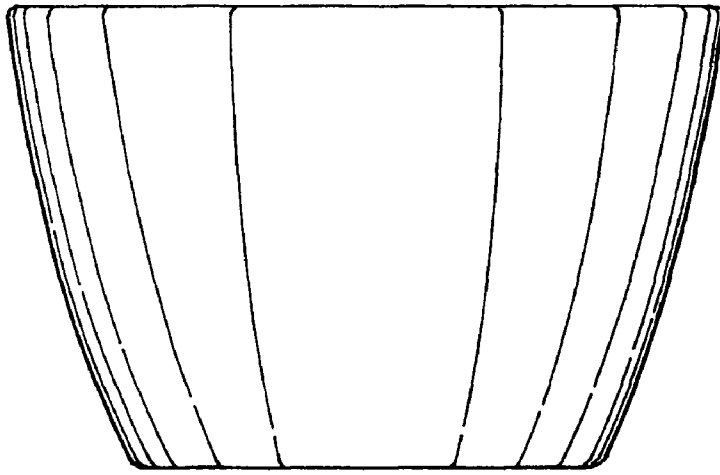


FIG. 5

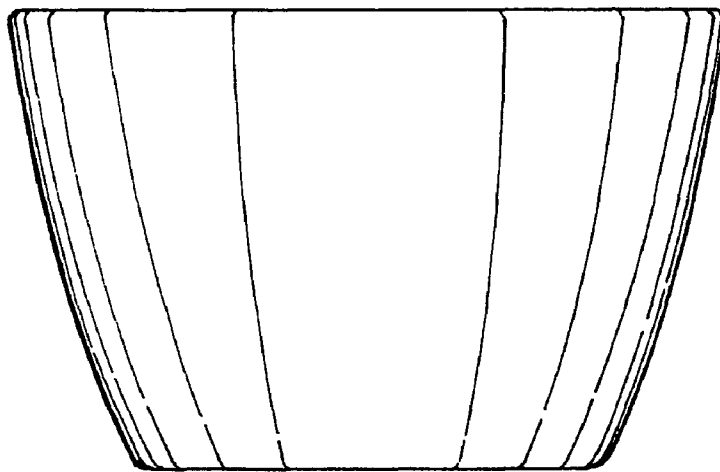


FIG. 6

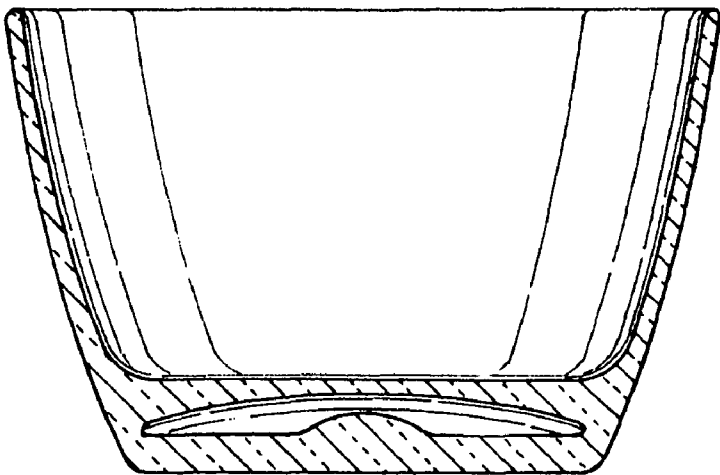


FIG. 7