



US0D1024798S

(12) **United States Design Patent**  
**Jiang**

(10) **Patent No.:** **US D1,024,798 S**

(45) **Date of Patent:** **\*\* Apr. 30, 2024**

(54) **CLOCK**

FOREIGN PATENT DOCUMENTS

(71) Applicant: **Liwei Jiang**, Fujian (CN)

CN	306546903	*	5/2021
CN	306693868	*	7/2021
GB	6125110	*	5/2021
KR	301091131.0000	*	1/2021

(72) Inventor: **Liwei Jiang**, Fujian (CN)

(\*\*) Term: **15 Years**

OTHER PUBLICATIONS

(21) Appl. No.: **29/829,728**

Eld Mirror Alarm Clock, Available on Amazon.com since Apr. 21, 2021 [online], [site visited Dec. 4, 2023], available from URL:https://amzn.eu/d/2AzQ6m8 (Year: 2021).\*

(22) Filed: **Mar. 7, 2022**

Leafre Minimalist LED Digital Wall Clock, Available on Amazon.com [online] [oldest review with photo Feb. 20, 2022] [site visited Dec. 4, 2023], available from URL:https://a.co/d/7qCxMML (Year: 2022).\*

(51) **LOC (14) Cl.** ..... **10-01**

(52) **U.S. Cl.**

\* cited by examiner

USPC ..... **D10/22; D10/15**

(58) **Field of Classification Search**

*Primary Examiner* — Brett Miller

*Assistant Examiner* — Mary Anne Arntzen

USPC ... D10/1, 2, 3, 4, 15, 22, 27, 21, 52, 57, 40,  
D10/41

(57) **CLAIM**

The ornamental design for a clock, as shown and described.

CPC ..... G04B 19/00; G04C 17/00; G04C 9/10;  
G04G 9/85; G04G 9/107; G04G 9/122

**DESCRIPTION**

See application file for complete search history.

FIG. 1 is a front and top perspective view of a clock, showing my new design;

FIG. 2 is a rear and bottom perspective view thereof;

FIG. 3 is a front elevation view thereof;

FIG. 4 is a rear view thereof;

FIG. 5 is a left side elevation view thereof;

FIG. 6 is a right side elevation view thereof;

FIG. 7 is a top plan view thereof; and,

FIG. 8 is a bottom plan view thereof.

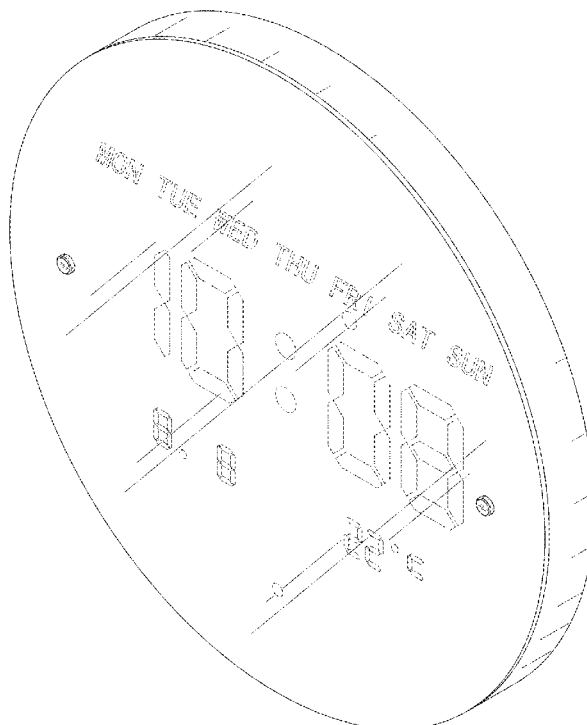
The broken lines depict portions of the clock in which the design is embodied that form no part of the claimed design.

(56) **References Cited**

U.S. PATENT DOCUMENTS

D379,767	S	*	6/1997	Rowley	
D465,736	S	*	11/2002	Truisi	D10/22
D724,958	S	*	3/2015	Daniels	D10/22
D761,128	S	*	7/2016	Funk	D10/22
D885,202	S	*	5/2020	Morris	D10/15
D908,510	S	*	1/2021	Wu	D10/22
D973,516	S	*	12/2022	Zhao	D10/22

**1 Claim, 8 Drawing Sheets**



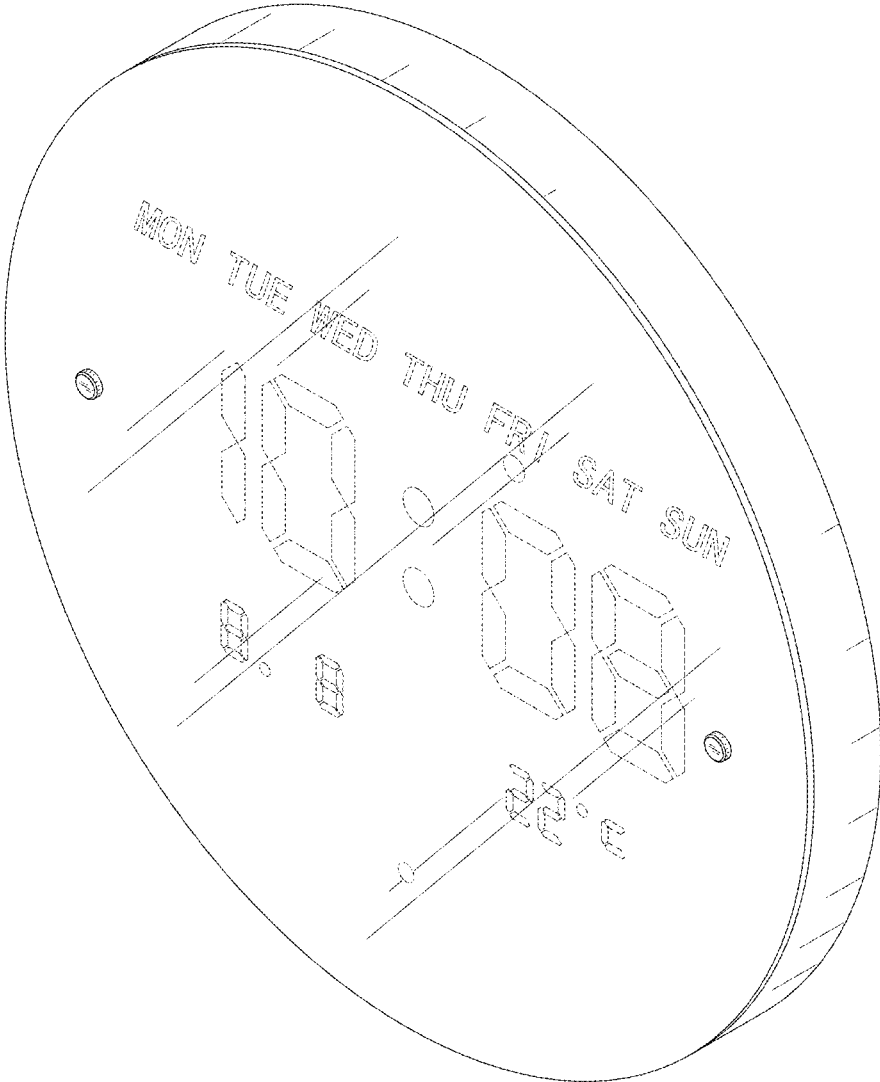


FIG. 1

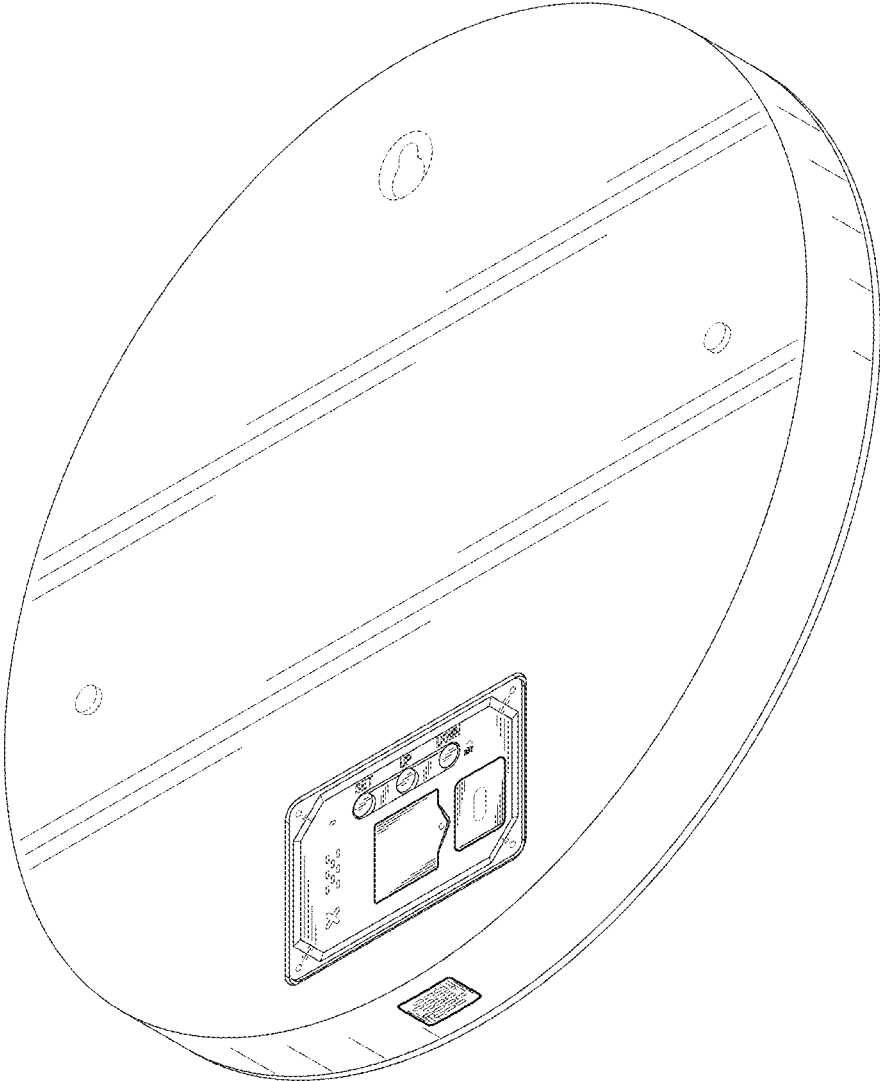


FIG. 2

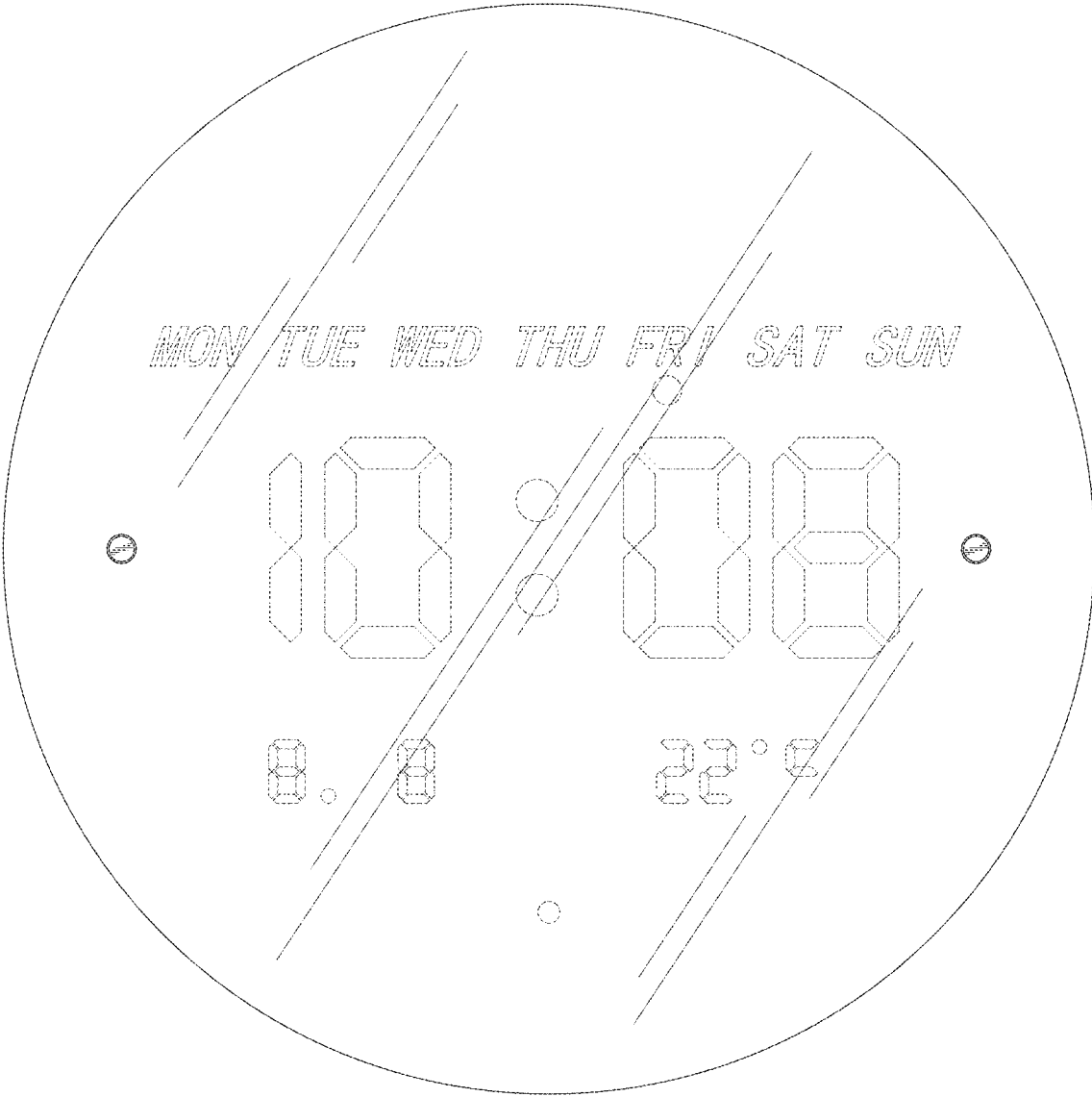


FIG. 3

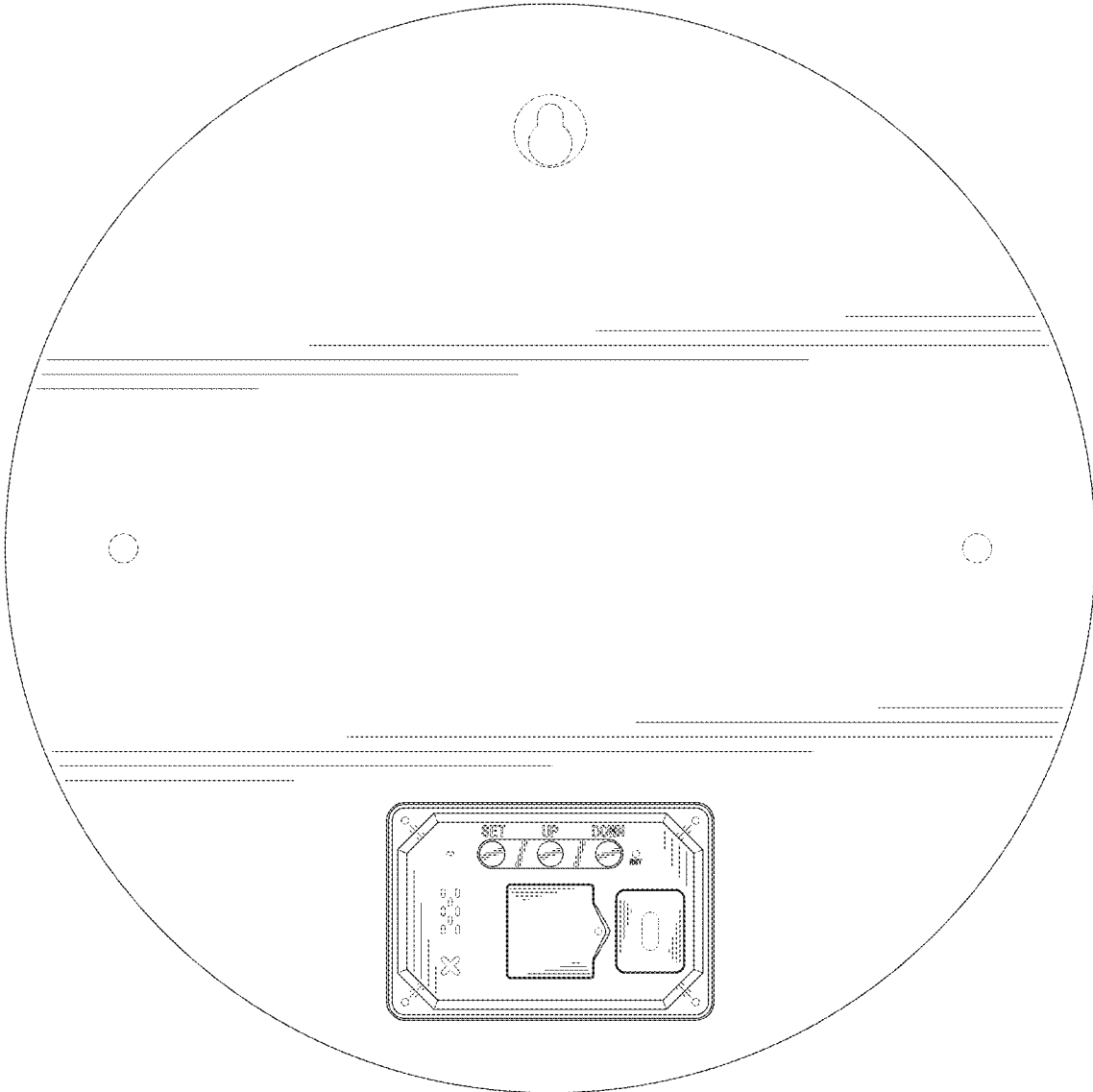


FIG. 4

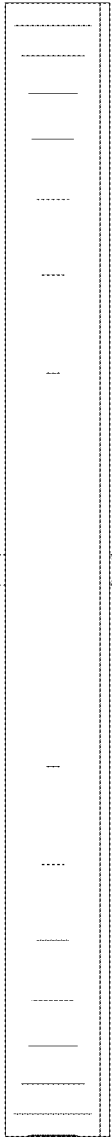


FIG. 5



FIG. 6

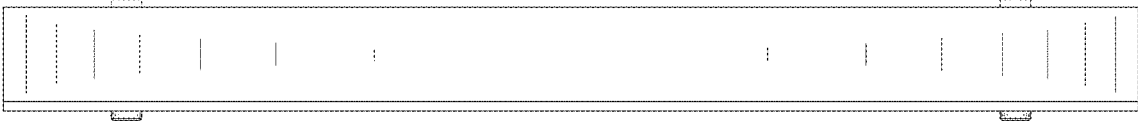


FIG. 7

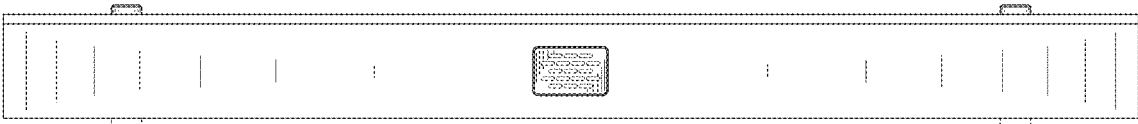


FIG. 8