



US00D341228S

United States Patent [19]

[11] Patent Number: **Des. 341,228**

Loftin

[45] Date of Patent: **** Nov. 9, 1993**

- [54] **KNEE PAD**
- [76] Inventor: **Thomas Loftin, 122 Martin Cir.,
Royal Palm Beach, Fla. 33411**
- [**] Term: **14 Years**
- [21] Appl. No.: **654,567**
- [22] Filed: **Feb. 12, 1991**
- [52] U.S. Cl. **D29/10**
- [58] Field of Search **D29/10, 20, 99;
D24/190-192; 128/846, 876, 878, 881, 882; 2/2,
16, 22-24, 415**

3,189,919	6/1965	Chase	2/16
3,693,619	9/1972	Williams	128/149
4,796,303	1/1989	Atwater	2/24

FOREIGN PATENT DOCUMENTS

2553996	4/1983	France .
522718	6/1940	United Kingdom .

Primary Examiner—Ruth McInroy
Attorney, Agent, or Firm—Terry M. Gernstein

[57] CLAIM

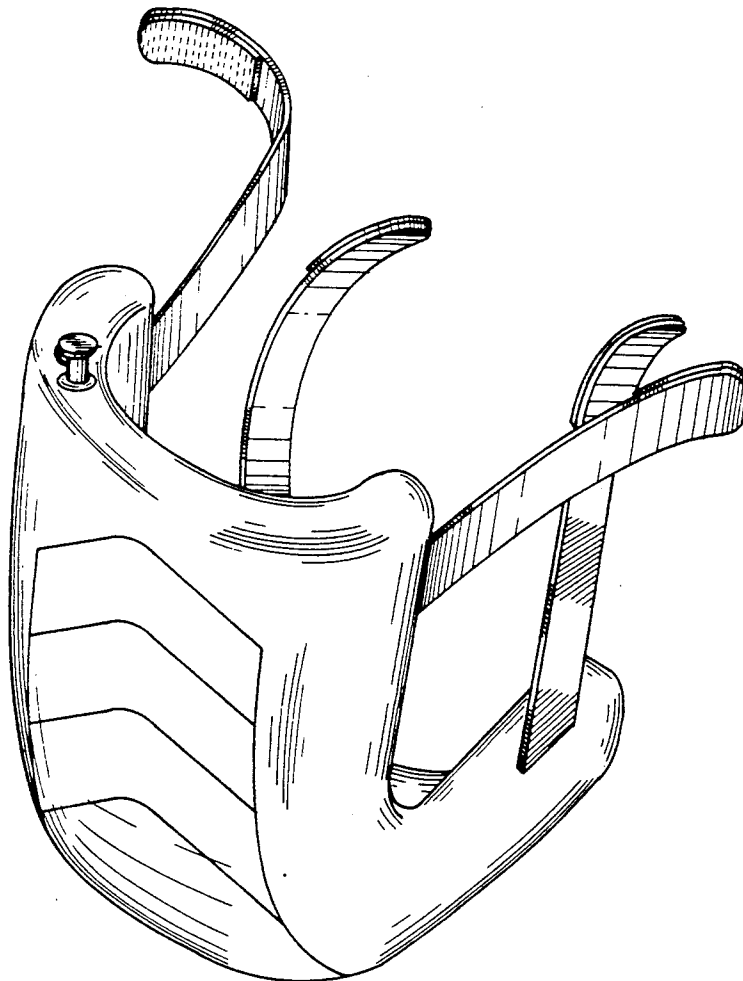
The ornamental design for a knee pad, as shown and described.

[56] **References Cited**
U.S. PATENT DOCUMENTS

D. 97,393	11/1935	Judsen	D29/10
D. 225,472	12/1972	Lowrey et al.	D29/10
D. 261,821	11/1981	Hubbard et al.	D29/10
1,074,531	9/1913	Schmitt	D29/10
1,271,119	7/1918	Barrett	2/24
1,404,723	1/1922	Swope	2/24
1,436,537	11/1922	Rylander	2/24
2,759,189	8/1956	Cole	2/24

DESCRIPTION

FIG. 1 is a front perspective view of a knee pad showing my new design;
 FIG. 2 is a front elevational view thereof;
 FIG. 3 is a rear elevational view thereof;
 FIG. 4 is a right side elevational view thereof;
 FIG. 5 is a left side elevational view thereof;
 FIG. 6 is a top plan view thereof; and,
 FIG. 7 is a bottom plan view thereof.



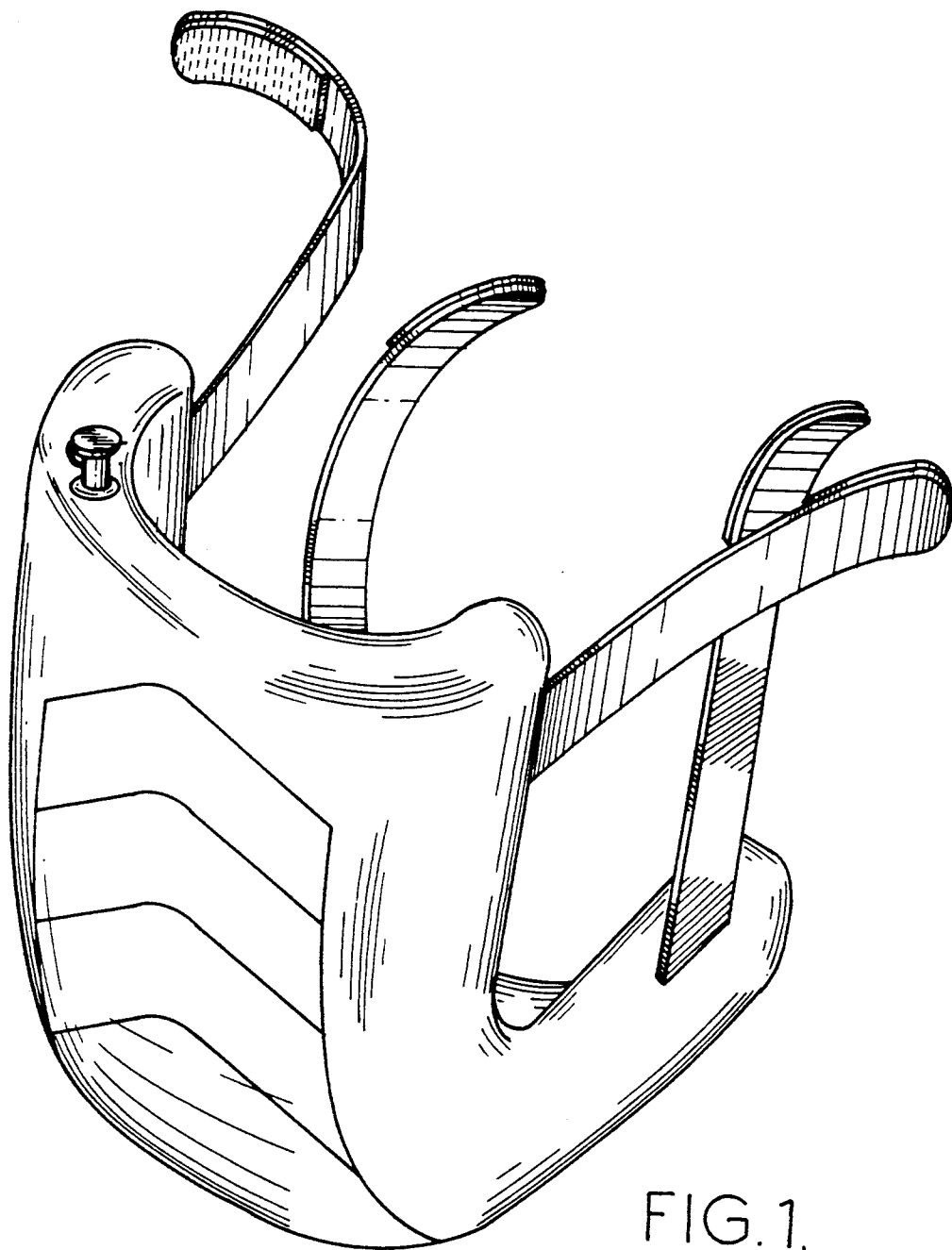


FIG. 1.

FIG. 4.

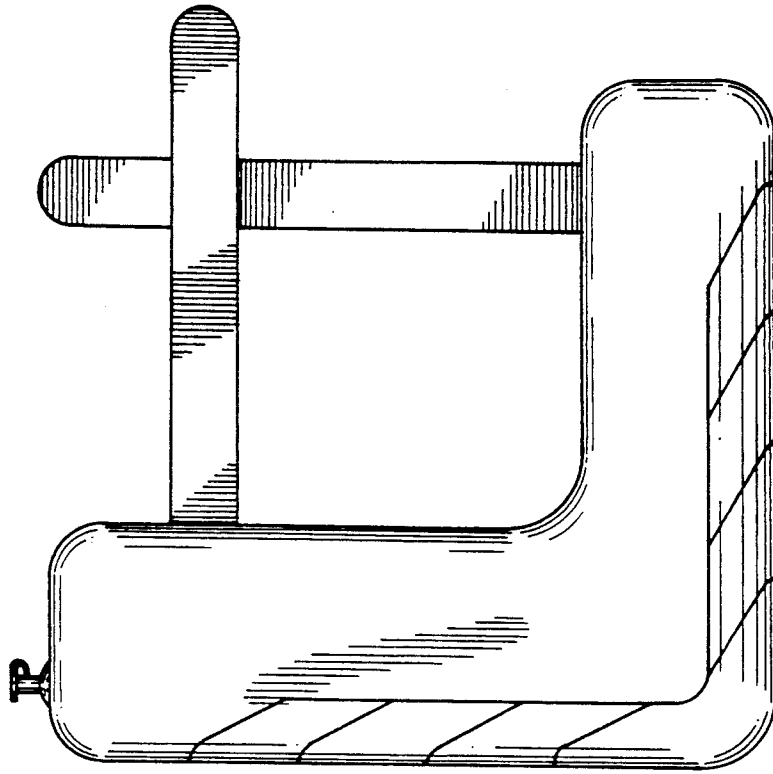


FIG. 2.

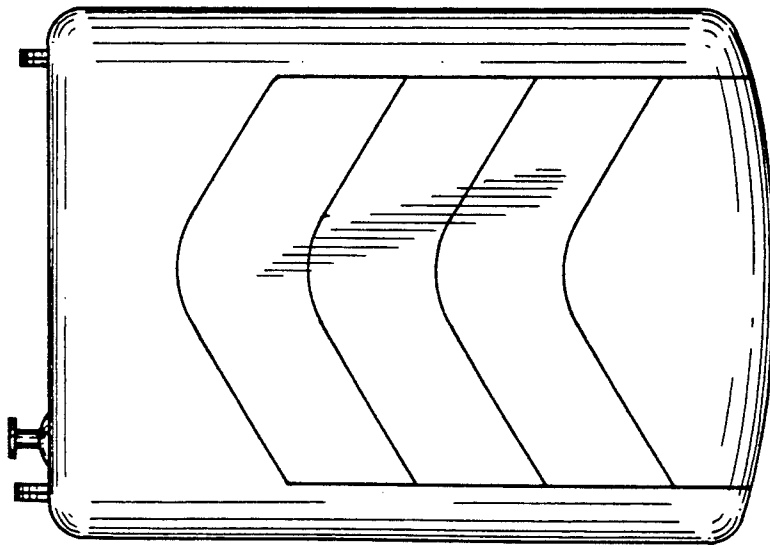


FIG. 5.

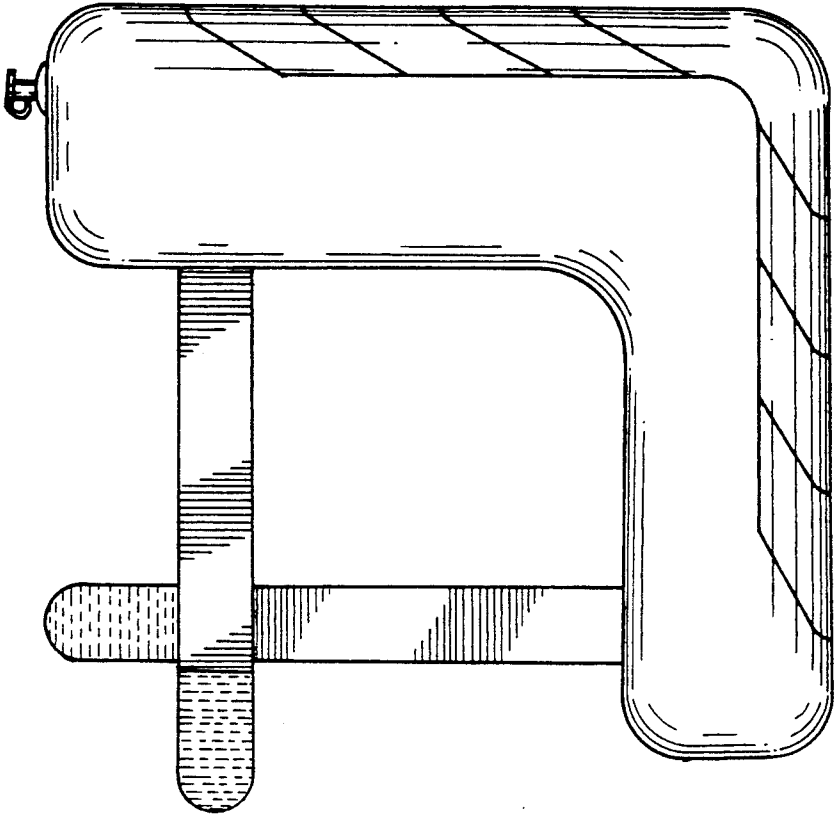


FIG. 3.

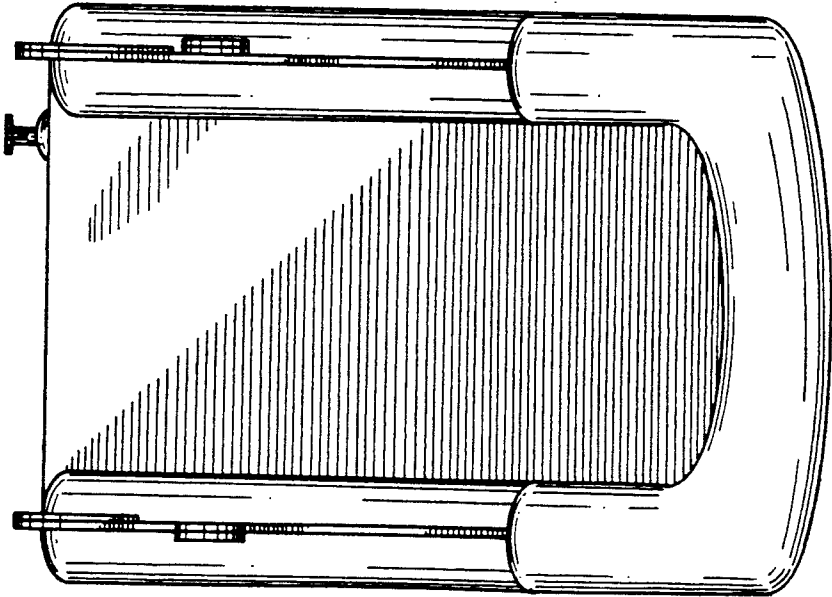


FIG. 7.

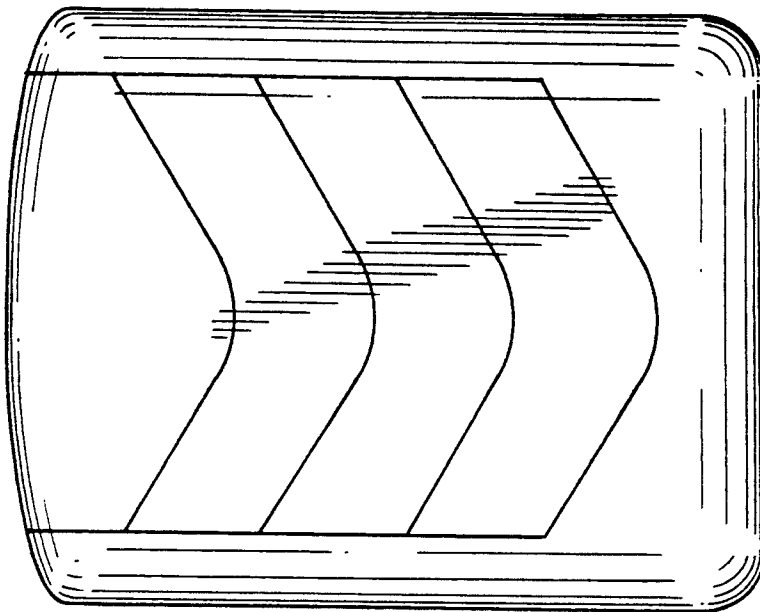


FIG. 6.

