

19



Europäisches Patentamt  
European Patent Office  
Office européen des brevets



11 Publication number:

**0 454 872 B1**

12

## EUROPEAN PATENT SPECIFICATION

45 Date of publication of patent specification: **28.06.95** 51 Int. Cl.<sup>6</sup>: **C09D 11/02**

21 Application number: **91900346.7**

22 Date of filing: **21.11.90**

86 International application number:  
**PCT/JP90/01516**

87 International publication number:  
**WO 91/07470 (30.05.91 91/12)**

54 **INK FOR USE IN INK JET RECORDING.**

30 Priority: **21.11.89 JP 302855/89**  
**21.11.89 JP 302856/89**  
**08.02.90 JP 29213/90**  
**08.02.90 JP 29214/90**  
**08.02.90 JP 29215/90**  
**08.02.90 JP 29216/90**  
**17.05.90 JP 127431/90**  
**17.05.90 JP 127435/90**  
**18.05.90 JP 128774/90**  
**21.05.90 JP 130789/90**

43 Date of publication of application:  
**06.11.91 Bulletin 91/45**

45 Publication of the grant of the patent:  
**28.06.95 Bulletin 95/26**

84 Designated Contracting States:  
**DE FR GB IT NL SE**

73 Proprietor: **SEIKO EPSON CORPORATION**  
**4-1, Nishishinjuku 2-chome**  
**Shinjuku-ku**  
**Tokyo 160 (JP)**

72 Inventor: **SHINOZUKA, Masakazu, c/o Seiko Epson Corporation**  
**3-5, Owa 3-chome**  
**Suwa-shi, Nagano 392 (JP)**  
Inventor: **NAKAMURA, Hiroto, c/o Seiko Epson Corporation**  
**3-5, Owa 3-chome**  
**Suwa-shi, Nagano 392 (JP)**  
Inventor: **KANBAYASHI, Kenichi, c/o Seiko Epson Corporation**  
**3-5, Owa 3-chome**  
**Suwa-shi, Nagano 392 (JP)**  
Inventor: **MARUYAMA, Yaeko, c/o Seiko Epson Corporation**  
**3-5, Owa 3-chome**  
**Suwa-shi, Nagano 392 (JP)**

Note: Within nine months from the publication of the mention of the grant of the European patent, any person may give notice to the European Patent Office of opposition to the European patent granted. Notice of opposition shall be filed in a written reasoned statement. It shall not be deemed to have been filed until the opposition fee has been paid (Art. 99(1) European patent convention).

**EP 0 454 872 B1**

⑤⑥ References cited:  
JP-A- 562 356  
JP-A- 4 812 294  
JP-A- 5 446 606  
JP-A-61 247 762

Inventor: OYAMA, Noriko, c/o Seiko Epson Corporation  
3-5, Owa 3-chome  
Suwa-shi, Nagano 3892 (JP)  
Inventor: ONISHI, Hiroyuki, c/o Seiko Epson Corporation  
3-5, Owa 3-chome  
Suwa-shi, Nagano 392 (JP)

⑦A Representative: Lewin, John Harvey et al  
ELKINGTON AND FIFE  
Prospect House,  
8 Pembroke Road  
Sevenoaks,  
Kent, TN13 1XR (GB)

**Description****TECHNICAL FIELD**

5 This invention relates to an ink for use with an ink-jet printing apparatus which produces a character or image on a recording medium such as of paper by jetting droplets of the ink thereon.

**BACKGROUND ART**

10 Conventional ink-jet printing methods can be broadly classified into two types, a continuous type and an on-demand type. A dissolved-type aqueous ink composition prepared by dissolving a dye in water is mainly used as an ink for use with such ink-jet printing methods.

An ink which is prepared by dissolving various water-soluble dyes in water or in a mixture of water and a water-soluble organic solvent, and if necessary adding thereto various auxiliary components is now mainly  
 15 used as the aqueous ink. The ink-jet printing methods have a great deal of potential due to the following advantageous properties: their printing processes are simple because they are of a direct printing type; no noises are produced upon printing because they are of a non-impact type; a color image can be easily produced; high-speed printing can be attained; the running cost is low because ordinary paper is usable as a recording medium; and a high-resolution image is obtainable because extremely fine droplets of an ink  
 20 are jetted on a recording medium.

However, the above conventional methods are suffering from some problems, although the problems are slightly different from one another depending upon the type of the methods. Among them, the common problems which should be solved are as follows:

- (1) a jetted ink tends to be blurred on an image-receiving sheet, so that a high-quality image cannot be  
 25 obtained;
- (2) an ink jetted on an image-receiving sheet cannot dry in a short time, so that tailing of the ink is caused; and
- (3) a nozzle or ink-supplying path gets clogged by an ink, resulting in unstable jetting of the ink.

To solve the above-described problems, various proposals have been made; for instance, Japanese  
 30 Patent Publication No. 55-29546 discloses an ink into which a specific surface active agent is incorporated in order to decrease the surface tension of the ink, thereby improving absorption of the ink in an image-receiving sheet; Japanese Patent Publication No. 56-57862 discloses a method in which a strong basic material is incorporated into an ink to raise its pH and to chemically dissolve a sizing agent and pulping agent, which are water repellents used for ordinary paper, thereby controlling expansion and absorption of  
 35 dots of the ink; and Japanese Patent Publication No. 58-13675 discloses a method in which polyvinyl pyrrolidone having a molecular weight of 40,000 or more is incorporated into an ink to control expansion and absorption of dots of the ink in an image-receiving sheet. However, according to the view of the inventors of the present invention, it is considered that these proposals can solve only part of the previously-mentioned problems, and cannot be the complete solutions thereof.

40 EP-A-0408333, which is prior art under Article 54(3) EPC, discloses an ink jet ink composition comprising a polar organic solvent and a colouring component insoluble in said organic solvent and having a particle size smaller than 10  $\mu\text{m}$ .

EP-A-0254187 discloses an ink jet ink composition having a surface tension of  $29 \pm 0.5$  mN/m, comprising an organic polar solvent and a colouring component having a particle size smaller than 5  $\mu\text{m}$ .

45 Accordingly, an object of the present invention, which can solve the above problems, is to provide an ink for an ink-jet printer for use with an ink-jet printing method in which extremely fine droplets of an ink are jetted from a recording head and deposited on the surface of an image-receiving sheet to produce an image thereon, capable of producing a high-density character or image on ordinary paper without causing blur.

50 A second object of the present invention is to provide an ink for an ink-jet printer, which has high drying ability and can produce an image without tailing.

A third object of the present invention is to provide an ink for an ink-jet printer, which does not bring about clogging in a nozzle or ink-supplying path and is excellent in jetting stability.

**55 DISCLOSURE OF THE INVENTION**

The ink for ink-jet printing according to the present invention is characterized in that the ink composition is made into a disperse system, and that both the particle size of the coloring component serving as a

dispersed phase and the surface tension of the dispersion medium are controlled to be in the specific ranges, whereby the coloring component and the dispersion medium can be separated immediately from each other in a moment when the ink is deposited on an image-receiving sheet (for instance, paper) to produce an image without blur.

5 More specifically, the ink for ink-jet printing according to the present invention is an ink composition comprising, as essential components, a coloring component and a dispersion medium in which the coloring component is homogeneously dispersed and retained, characterized in that the coloring component is insoluble in the dispersion medium, and is dispersed therein as finely divided particles with an average  
10 particle size of 0.01  $\mu\text{m}$  or more, that the dispersion medium comprises a non-polar insulation solvent and has a surface tension at 25 °C of 50 mN/m or less, and that the ink composition has such a property that the dispersion medium is instantly separated from the coloring component when the ink composition is deposited on an image-receiving material.

15 Heretofore, it has been considered that the separation between a coloring component and a solvent (vehicle) contained in an ordinary ink composition, caused on an image-receiving material, is an unfavorable phenomenon, and it should be avoided. The inventors of the present invention have reversed such a conventional common idea regarding an ink, and have found that such a separation is effectively utilizable to an ink for ink-jet printing. The present invention has been accomplished based on this finding.

20 In the case where an image is printed on ordinary paper by using the above-described ink of the present invention, the coloring component contained in the ink deposited on the paper is fixed on a spot where the ink has been deposited, and only the dispersion medium spreads along fibers of the paper to enlarge its surface area. As a result, the ink can be dried immediately. Thus, the coloring component and the dispersion medium are instantly separated from each other when the ink is deposited on the paper, so that the coloring component does not migrate, together with the dispersion medium, along fibers of the  
25 paper. For this reason, blur of an image can be prevented.

30 It is not entirely clear the reason why the separation between the coloring component and the dispersion medium contained in the ink is instantly caused when the ink is deposited on the paper, and blur of an image can be effectively prevented. However, considerable main reasons are as follows: the dispersion medium has a low surface tension, so that it can migrate along fibers of the paper in an extremely short time by utilizing capillary phenomenon; and migration of the coloring component after deposition on the paper is prevented due to cohesive power between particles of the coloring component in a dispersed state, and relatively high cohesive power between the coloring component and the paper. Since the ink of the present invention gives rise to the above-described separation phenomenon, it can produce an image which has high quality and also has improved resistance for scratch.

35 The above-described phenomenon can be explained by referring to Fig. 1. In Fig. 1, the portion indicated by reference numeral 1 is called a ring blur, and the boundary portion indicated by reference numeral 2 is called a contour. The ring blur 1 is formed when the dispersion medium contained in the ink for an ink-jet printer according to the present invention permeates an image-receiving sheet (in the case of an OHP sheet, the dispersion medium diffuses thereon), and is dried by evaporation and disappears with the passage of time. The state of an ink dot printed on an image-receiving sheet by using a conventional  
40 ink for use with an ink-jet printer is shown in Fig. 2. The ink dot shown in Fig. 1 and the one shown in Fig. 2 are formed by the same amount of the respective ink droplets, and are illustrated in the same scale. As is understood from these two figures, the conventional ink for an ink-jet printer is absorbed by an image-receiving paper, and diffuses along fibers of the paper, so that blur is formed as indicated by reference numeral 3, and a produced image has low density. Moreover, the shape of the dot is far from a circle; this  
45 is the main reason for impairing the quality of an image printed. In comparison, the ink for use with an ink-jet printer according to the present invention does not permeate along fibers of paper, and forms a circular dot with a clear contour. For this reason, the ink of the invention can produce a high-density image having high quality, and is also employable for high-resolution printing.

#### 50 BRIEF DESCRIPTION OF THE DRAWINGS

Fig. 1, Fig. 3 and Fig. 7 are schematic illustrations respectively showing the state of the ink according to the present invention when it is deposited on an image-receiving material (paper);

55 Fig. 2, Fig. 6 and Fig. 8 are schematic illustrations respectively showing the state of the conventional ink when it is deposited on an image-receiving material (paper); and

Fig. 4 and Fig. 5 are cross-sectional views respectively showing the state of the ink according to the present invention when it is deposited on an image-receiving material (paper).

BEST MODE FOR CARRYING OUT THE INVENTION

The components contained in the ink composition of the present invention will be hereinafter explained specifically.

5 Pigments and dyes which can exist in the ink in a dispersed state are usable as the coloring component.

Examples of the pigments are inorganic pigments (for example, metal oxides and carbon black), organic pigments (for example, insoluble azo pigments, soluble azo pigments, phthalocyanine-type pigments, isoindolinone-type higher pigments, and perynone-perylene-type higher pigments), and the like. In addition, 10 processed pigments whose particles are coated with a resin or the like are also employable. To improve the quality of an image printed, it is also necessary that the size distribution of particles of the pigment be as narrow as possible.

Preferred examples of the pigment are metal oxides such as iron oxide. Preferred specific examples of iron oxide are Talox BLs-500 and 100 manufactured by Titan Kogyo K.K., MTBs-10 and 15 manufactured 15 by Morishita Bengara Kogyo Co., Ltd., EPTs-500, 1000, 1001 and 1002, and MATs-305 and 305HD manufactured by Toda Kogyo K.K., and the like. In addition to the above, processed pigments such as metal oxides and iron oxides, coated with a resin or the like are also employable. The combination use of two or more types of these pigments is acceptable, if necessary.

Almost all organic pigments can be used as the coloring component. For instance, Hansa Yellow 10G, 20 Brilliant Carmine 6B, Phthalocyanine Blue, Phthalocyanine Green, etc., and Paliogen Black 0084 available from BASF Japan Ltd., etc. can be mentioned.

As other processed pigments, Microlith A treated with ethyl cellulose (for instance, Microlith Black C-A), and Microliths K and KP treated with a copolymer of vinyl chloride and vinyl acetate (for instance, Microlyce 25 Black C-T) manufactured by CIBA-GEIGY, LTD., and the like can be mentioned.

In the case where carbon black is used as the pigment, those carbon blacks which have a DBP oil absorption of 100 ml/100 g or less, and/or a specific surface area of 300 m<sup>2</sup>/g or less are preferably employable in the present invention. Specific examples of the carbon black are listed in the table below.

Specific Examples of Carbon Black			
Manufacturer	Trademark	DBP Oil Absorption (ml/100 g)	BET Specific Surface Area (m <sup>2</sup> /g)
Mitsubishi Chemical Industries, Ltd.	CF-9	65	60
	MA-100	100	134
	MA-7	65	137
	#44	76	125
	#5B	69	25
	#45	53	137
Degussa Japan Co., Ltd.	#900	55	250
	Printex 75	47	150
	Printex 90	95	300
	Printex 55	48	110
Columbian Carbon Ltd.	Raven 1020	60	95
	Raven 1255	56	125
Cabot Corp.	Monarch 800	75	210
	Monarch 1100	65	240

50 Drying of the dispersion medium at a nozzle, which obstructs stable jetting of the ink, can be prevented by controlling the boiling point of the dispersion medium to high, and its saturated vapor pressure to low. An ink containing such a dispersion medium is far superior to conventional aqueous inks in this point. In addition, the easy formation of a structure can be prevented by properly controlling the DBP oil absorption 55 or the specific surface area of the carbon black. In other words, the once dispersed carbon black does not easily form a structure, so that the easy formation of a secondary coagulation is also prevented. As a result, the probability of existence of large particles in the ink, which can be a cause for clogging, is reduced, and stable jetting of the ink is ensured.

The optimum particle size of the above-described coloring component is determined depending upon the kind of the coloring component and that of the dispersion medium employed. In general, however, the particle size of the coloring component is preferably 0.01  $\mu\text{m}$  or more, more preferably 0.01-10  $\mu\text{m}$ , and most preferably 1-5  $\mu\text{m}$ . When the particle size of the coloring component is less than 0.01  $\mu\text{m}$ , it is difficult for the ink to remarkably give rise to the previously-mentioned separation phenomenon, so that the aimed effect, which is improvement in the quality of a printed image, cannot be sufficiently obtained.

Furthermore, it is preferable that 90% or more of total particles of the coloring component contained in the ink composition have sizes which are within  $\pm 50\%$  of the average particle size. The inventors of the present invention have found that blur of the ink can be effectively prevented when particles of the coloring component contained in the ink have a narrow size distribution. The reason of this has not been perfectly clarified. It is however presumed that when particles of the coloring component are almost uniform in size, the coloring component diffuses or migrates at a constant speed, so that the coloring component is fixed at a spot where the ink has been deposited, and is prevented from diffusion toward the outside of the printed position. It is suitable that the content of the coloring component be in the range of 1-20 wt.%.

Organic solvents are used as the dispersion medium in which the above-described coloring component is dispersed. Specifically, the non-polar insulation organic solvents, aliphatic hydrocarbon type solvents, for instance, Isopar available from Exxon Chemical Japan Ltd., Soltrol manufactured by Phillips petroleum Co., Ltd., and IP Solvent manufactured by Idemitsu Petrochemical Company, Ltd. can be used. As petroleum naphtha type solvents, Naphthas No. 5 - No. 7 available from Exxon Chemical Japan Ltd. can be used. As other hydrocarbon type solvents, Solvesso available from Exxon Chemical Japan Ltd., Shell S.B.R. and Shellsol manufactured by Shell Kagaku K.K., Pegasol manufactured by Mobil petroleum Co. Inc., and the like are usable. Low toxicity, low flammability and less odor are the properties which should be also taken into consideration when selecting the solvent. The combination use of two or more types of the above solvents is also acceptable, if necessary.

In the present invention, it is necessary to control the surface tension (at 25°C) of the dispersion medium to 50 mN/m or less, preferably 35 mN/m or less. When the surface tension is in excess of 50 mN/m, the separation between the coloring component and the dispersion medium takes place slowly, so that it is difficult to obtain the aimed action and effect of the present invention.

The surface tensions of the organic solvents for use in the present invention are shown in the table below. The values of the surface tensions are taken from the data according to the respective manufacturers thereof.

	Manufacturer	Name of Solvent	Surface Tension (mN/m)
Non-Polar	Idemitsu Petrochemical Co., Ltd.	IP Solvent 1620	24.6 23°C
		IP Solvent 2028	26.1 23°C
	Exxon Chemical Japan Ltd.	Exxon Naphtha No. 6	24.6 25°C
		Solvesso 100	29.0 25°C
		Solvesso 150	30.0 25°C
		Solvesso 200	35.9 25°C
		Exxol D40	24.6 25°C
		Exxol D80	26.5 25°C
		Exxol D100	26.7 25°C
		Isopar G	22.7 25°C
		Isopar H	23.3 25°C
		Isopar L	23.9 25°C
	Isoper M	24.1 25°C	
	Mobil Petroleum Co., Inc.	Pegasol AS100	24.5 25°C
		Sartlex 60	28.3 25°C
Shell Kagaku K.K.	Shellsol D40	24.5 20°C	
	Shellsol D70	26.0 20°C	
	Shellsol 70	23.0 20°C	
	Shellsol 71	24.0 20°C	

The surface tension of the dispersion medium can be controlled to an optimum value by incorporating therewith a surface active agent which is compatible with an organic solvent.

In the present invention, aiming at obtaining the effect of protecting the coloring component after printing, a resin which is compatible with the dispersion medium can be added thereto. Since such a resin is soluble in the dispersion medium, it separates, together with the dispersion medium, from the coloring component when an image is printed, and then spreads and dries.

5 The dried resin is then separated out again to protect the coloring component fixed at the printed portion. Specifically, polar resins such as ethyl cellulose, polyacrylester, a linseed oil-modified alkyd resin, polystyrene, polyvinyl chloride, chlorinated polypropylene, a polyamide resin, a coumarone-indene resin, a rosin type resin, a terpene-phenol type resin, an alkylphenol-modified xylene resin, and the like are preferably employed. Of these resins, a terpene-phenol type resin and a rosin type resin are more preferred. Furthermore, those resins which are soluble in a solvent are preferable from the viewpoint of the preservability of the ink. It is also preferable that the melting point or softening point of the resin be 50 °C or more from the viewpoint of blocking of a recording material which is caused after printing. The combination use of two or more types of these resins is acceptable, if necessary. In the case where two or more types of the resins are used, non-polar resins such as an aliphatic hydrocarbon type resin and an alicyclic hydrocarbon type resin can be employed when one of the resins employed is a polar resin. The content of the resin is preferably 1-30 wt.%, and more preferably 1-20 wt.%. The above-described resins are specifically shown in the table below.

Manufacturer	Trademark	Type of Resin
Arakawa Chemical Industries Ltd.	Super Ester 75 Ester Gum HP Markeed 33	Specific rosin ester resin Hydrogenated rosin pentaerythritol ester resin Rosin-modified maleic acid resin
Yasuhara Chemical K.K.	YS Polyester T80	Terpenephenol resin
Shin-Nittetsu Kagaku K.K.	Escron G90	Coumarone-indene resin
Sanyo Trading Co., Ltd.	Paralloide B67	Acrylic type resin
Mitsui Petrochemical Industries, Ltd.	Hiretts HRT200X	Aliphatic hydrocarbon type resin

As a dispersing agent, which may be employed when necessary, any dispersing agent is usable as long as it is compatible with the above-described solvent, or can be stably dispersed therein. Specific examples of the dispersing agent are nonionic surface active agents such as sorbitan fatty acid esters (sorbitan monooleate, sorbitan monolaurate, sorbitan sesquioleate, sorbitan trioleate, etc.), polyoxyethylenesorbitan fatty acid esters (polyoxyethylenesorbitan monostearate, polyoxyethylenesorbitan monooleate, etc.), polyethyleneglycol fatty acid esters (polyoxyethylenemonostearate, polyethyleneglycol-diisostearate, etc.), polyoxyethylenealkylphenyl ethers (polyoxyethylenononylphenyl ether, polyoxyethyleneoctylphenyl ether, etc.), and fatty acid diethanol amides. The combination use of two or more types of these dispersing agents is acceptable, if necessary. The content of the dispersing agent is preferably 0.01-5 wt.%. The above-described dispersing agents are specifically shown in the table below.

Manufacturer	Trademark	Type of Dispersing Agent
ICI Corp.	Solsperse 17000	Fatty acid diethanol amide type
Nikko Chemicals Co., Ltd.	Nikkol T106 Hexagline 4-0 Nikkol MYS-1EX	Polyoxyethylene sorbitan monooleate type Hexaglyceryl tetraoleate type Polyoxyethylene monostearate type

50 The ink of the present invention may be prepared by dispersing the above-described components by a dispersing mill such as a ball mill, an attriter or a sand mill to obtain a homogeneous dispersion which may be subjected to filtration using a filter or the like to remove therefrom macro particles, dusts, and the like, if necessary. It is necessary that the viscosity of the ink be 30 mPa·s or less, preferably from 2 mPa·s to 15 mPa·s, from the viewpoints of the formation of droplets of the ink and stable jetting thereof under high response of the head, when the operation temperature of an ink-jet printer is set at 0 °C - 50 °C.

In the present invention, such a case is also included that the coloring component is dispersed in the dispersion medium in an emulsified state. To prepare such a disperse system, for instance, a dye is contained in a resin which is insoluble in the dispersion medium (hereinafter may be referred to as a binder

agent) to form a dispersed phase. In such an embodiment, for instance, the ink composition comprises a dye, a solvent having a high boiling point and low volatility, and a binder agent; the binder agent contains the dye, and is dispersed in the dispersion medium as finely divided particles to give a colloidal fluid.

In order to develop a liquid ink which can produce a high-quality image on any kind of image-receiving medium, has water resistance, does not cause clogging, and is excellent in recording stability and preservation stability, the inventors of the present invention experimentally prepared inks by using various dyes, organic solvents and binder agents in combination. As a result, it was found that when particles of the resin homogeneously dispersed in the dispersion medium impregnate, adsorb or support the dye of the coloring component, only the color component is fixed on an image-receiving sheet, and only the solvent permeates, diffuses or issues to the image-receiving sheet, thereby immediately causing separation between the coloring component and the solvent to form a film in a shape of dot with a clear contour as shown in Fig. 4, followed by solidifying and fixation. The ink is also excellent in the drying ability; and an image produced on an image-receiving sheet is not seen from the reverse side thereof, and is free from tailing and the like because of the surface film of the binder agent formed by the separation and the evaporation of the solvent.

Clogging of the ink can be prevented by using an organic solvent having a high boiling point and low volatility as the dispersion medium in which finely divided particles of the coloring component are dispersed.

In the present invention, the portion indicated by reference numeral 21 in Fig. 3 is called a ring blur, and the boundary portion indicated by reference numeral 22 is called a contour. The state as shown in Fig. 4 (separated only at the surface), and the state as shown in Fig. 5 (permeated into the image-receiving sheet A) are also included in embodiments of the separation. Further, the portion indicated by reference numeral 24 in Fig. 6 is called a blur. In the present invention, such a blur of the coloring component which is brought about along fibers can be prevented.

As the coloring component which is employed in the above-described emulsion-type ink, any water-soluble dye or oil-soluble dye, which has been used for conventional inks, can be employed as long as it does not undergo a change in its color tone and does not produce a precipitate when the other components of the ink are added thereto.

For instance, basic azo dyes, acidic azo dyes, direct dyes, anthraquinone type dyes, carbonium dyes, rhodamine dyes, quinoneimine dyes, etc. can be mentioned.

These dyes are homogeneously dispersed, as the coloring component, in the dispersion medium in such a state that they are impregnated by, chemically bonded to, or supported by particles of a resin or wax.

As a material to be colored (that is, the binder agent), a homopolymer, a copolymer resin emulsion, a wax emulsion, or the like of a vinyl ester type, an acrylic acid ester type, a methacrylic acid ester type, a styrene type, or an olefin type monomer can be employed.

To homogeneously retain particles of the coloring component in the dispersion medium, various surface active agents and dispersing agents are added, or a surface treatment, graft polymerization or the like is conducted.

Moreover, in order to color the emulsion particles, a solubilizing agent which can impregnate a dye is added, a dye is added at the process of emulsion polymerization for preparing an emulsion, or a dye is dissolved in a thermally fused resin or wax which is insoluble in the dispersion medium and mechanically dispersed by using a dispersing agent.

The incorporation amount of the dye in the above emulsion system is preferably from 0.5 to 20 wt.%. This is because when the amount of the dye is less than 0.5 wt.%, the desired color tone and density cannot be obtained, and when it exceeds 20 wt.%, clogging and deterioration of the preservation stability may be caused.

As the preferred organic solvent for use in the emulsion-type ink, normalparaffin type hydrocarbons, isoparaffin type hydrocarbons, aliphatic hydrocarbons, and halogenated aliphatic hydrocarbons can be mentioned. Paraffin type or alicyclic type hydrocarbons having a boiling point of 150-250 °C are preferred from the viewpoints of odor, safety, and drying ability. For instance, Isopars G, H, K, L and L (manufactured by Exxon Chemical Ltd.), IP Solvent (manufactured by Idemitsu Petrochemical Company, Ltd.), Shellsol 71 (Shell Kagaku K.K.), and the like are favorably employed.

As preferred organic-solvent-soluble-type resins, rosin type resins, terpene type resins, petroleum resins, coumarone-indene resins, styrene type resins, phenol type resins, xylene type resins, acryl type resins, and the like can be employed.

The present invention has the above basic structure. However, conventionally known dispersing agents, surface active agents, emulsifiers, viscosity regulators, specific resistance regulators, antifungal agents, and

the like can be added, if necessary.

Regarding the property of the ink, in the case where the operation temperature is adjusted to 0°C - 50°C, it is preferable, from the viewpoints of stable supply of the ink and stable jetting of droplets of the ink under high-speed response of the head, that the ink reveal a viscosity of 30 mPa·s or less in the vicinity of a jet nozzle. Furthermore, in order to attain high-speed response, the above viscosity of the ink is more preferably 2.0 - 15.0 mPa·s.

The ink can be prepared by mixing the above components, and dispersing by a dispersing mill such as a ball mill, an attriter or a sand mill to give a homogeneous dispersion. If necessary, macro particles, dusts, etc. may be removed by filtration using a filter or the like.

The coloring component is homogeneously dispersed in a cooled dispersion medium in any one of the following manners: a manner utilizing electric double phases, a manner utilizing protection effect of an absorptive layer which is formed by a surface active agent or polymeric protective colloid, a manner in which a polymer having a functional group which has a reactive group soluble in a dispersion medium is bonded to the surface of the coloring component by means of a chemical reaction, a manner in which the above-described coupling agent is bonded to the surface of the coloring component by means of a chemical reaction, and a manner in which emulsion polymerization is conducted.

Macro particles, dusts, contaminated materials and the like are removed by filtration under reduced pressure or pressure, if necessary. Further, in order to obtain a final ink, stirring or blending is needed.

The present invention will now be explained more specifically by referring to the examples. However, the following examples should not be construed as limiting the present invention. Example 1-1

Formulation	weight %
Carbon Black MA-100 (manufactured by Mitsubishi Chemical Industries, Ltd.)	2.0
Solsperse 17000 (dispersing agent, manufactured by ICI Corp.)	0.1
Isopar G (manufactured by Exxon Chemical Ltd.)	97.9

Solsperse 17000 was added to Isopar G, and dissolved by stirring. To the resulting solution, Carbon Black MA-100 was added, and dispersed by an attriter for 5 hours, followed by filtration with pressure using a membrane filter made of Teflon, having a pore size of 10 μm, thereby obtaining an ink having a viscosity of 2.3 mPa·s at 25°C. In Examples 1-2 to 1-11, inks having the formulations shown in Table 1 were respectively prepared in the same manner as the above.

#### Example 2-1

Formulation	weight %
Carbon Black MA-100 (manufactured by Mitsubishi Chemical Industries, Ltd.)	7.0
Ester Gum HP (manufactured by Arakawa Chemical Industries, Ltd.)	10.0
Solsperse 17000 (dispersing agent, manufactured by ICI Corp.)	0.1
Isopar M (manufactured by Exxon Chemical Ltd.)	82.9

Ester Gum HP and Solsperse 17000 were added to Isopar M, and dissolved by stirring. To the resulting solution, Carbon Black MA-100 was added, and dispersed by an attriter for 5 hours, followed by filtration with pressure using a membrane filter made of Teflon, having a pore size of 10 μm, thereby obtaining an ink having a viscosity of 5.3 mPa·s at 25°C. In Examples 2-2 to 2-33, inks having the formulations shown in Table 2 were respectively prepared in the same manner as the above. It is noted that in order to obtain a narrower particle size distribution, the components were dispersed in the attriter for 10 hours in Example 2-30, for 12 hours in Example 2-31, and for 10 hours in Example 2-32.

The ink of the present invention reveals a non-Newtonian flow. The viscosity of the ink was estimated, in accordance with the Casson theory, from a shear speed at the time of jetting from an ink jet head nozzle measured by an RFS-II manufactured by Rheometrics Far East Ltd. The distribution of the particle sizes was measured by an electrophoresis light scattering apparatus, ELS-800 manufactured by Otsuka Denshi K.K.

Comparative Examples

Comparative Examples are as follows:

As Comparative Example 1, a commercially available aqueous dye ink for use with an ink-jet printer was employed. The surface tension of the ink was 52 mN/m at 25 °C.

As Comparative Examples 2 and 3, the following oil-dye-dissolved-type inks were employed:

Comparative Example 2:

Sudan Black X60 (Oil dye, manufactured by BASF Japan Ltd.)	8.0%
Pegasol AS-100	92.0%

Comparative Example 3:

Sudan Black X60	8.0%
YS Polyester T80	15.0%
Solsperse 1700	0.1%
Isopar G	76.9%

As Comparative Example 4, an ink containing the following non-polar resin was employed.

Comparative Example 4:

Carbon Black MA-100	6.0%
Hiretts HRT200X	15.0%
Nikkol TO-106	1.5%
Isopar H	77.5%

As Comparative Example 5, an ink containing carbon black having a DBP oil absorption of more than 100 ml/100 g was employed.

Comparative Example 5:

Carbon Black Printex XE2 (manufactured by Degussa Japan Co., Ltd., DBP oil absorption = 400 ml/100 g)	5.0%
YS Polyester T80	10.0%
Hexagline 4-0	1.0%
Isopar H	84.0%

As Comparative Example 6, an ink containing carbon black having a BET specific surface area of more than 300 m<sup>2</sup>/g was employed.

Comparative Example 6:

5

Carbon Black Raven 5250 (manufactured by Columbian Carbon Corp., BET specific surface area = 525 m <sup>2</sup> /g)	5.0%
YS Polyster T80	10.0%
Hexagline 4-0	1.0%
Isopar H	84.0%

10

As Comparative Example 7, an ink having a wide particle size distribution, prepared by dispersing the components by an attriter for two hours was employed.

Comparative Example 7:

15

Carbon Black MA-100	5.0%
Super Ester A-75	10.0%
Solsperse 17000	1.3%
Isopar G	83.7%

20

By using the inks prepared in the above Examples and Comparative Examples, bit-image printing and character-image printing were respectively conducted by a commercially available ink-jet printer on various image-receiving sheets of high quality paper, bond paper, PPC paper, an OHP sheet, and the like. The printed images were evaluated with respect to the following items a-1 to a-6:

25

(a-1) Blur of Printed Image: After printing on the various image-receiving sheets, images were observed visually or by a microscope as to whether or not the ink was blurred, and evaluated in accordance with the following standard:

30

- No blur was found in the printed image by a visual observation and even by a microscopic observation ... very favorable (⊙)
- Blur was found in the printed image by a microscopic observation ... favorable (○)
- Blur was found in the printed image by a visual observation ... unfavorable (X)

35

(a-2) Scratch Resistance of Printed Image: After printing on the various image-receiving sheets, the surfaces of the printed images were rubbed with a clip with a load of 200 kg/cm<sup>2</sup> until stained, and evaluated in accordance with the following standard:

40

- Not stained when rubbed reciprocatingly 30 times or more ... very favorable (⊙)
- Stained when rubbed reciprocatingly 20-30 times ... favorable (○)
- Stained when rubbed reciprocatingly 20 times or less ... unfavorable (X)

45

(a-3) Blocking of Printed Image: A sheet of blank recording paper was superposed on the recording paper at a high temperature of 50 °C, and was pressed for 24 hours. Thereafter, the blank recording paper was observed as to whether or not the ink had been transferred thereto, and evaluated in accordance with the following standard:

- No transfer of the ink was found ... very favorable (⊙)
- Transfer of the ink was found ... unfavorable (X)

50

(a-4) Preservability of Ink: After preservation at a high temperature of 70 °C for 3 months, the inks were observed, and evaluated in accordance with the following standard:

- Precipitated, but the precipitate could be easily dispersed again ... very favorable (⊙)
- Precipitated, but the precipitate was not a coagulation (hard cake) ... favorable (○)
- Precipitated, and the precipitate was a coagulation ... unfavorable (X)

55

(a-5) Clogging in Nozzle: The ink-jet printer was filled with the ink, and was allowed to stand at 50 °C for one month without putting a cap on the nozzle. Thereafter, the ink was jetted from the nozzle, and evaluated in accordance with the following standard:

- Jetted immediately ... very favorable (⊙)
- Jetted after a moment or when rubbed with a rubber plate ... favorable (○)
- Not jetted ... unfavorable (X)

(a-6) Drying Speed of Printed Image: Solid printing was conducted on PPC paper, and the solid image was rubbed with PPC paper. The time after which the PPC paper was not stained any more with the ink

was measured.

20 seconds or less      very favorable (◎)

20 - 40 seconds        favorable (○)

40 seconds or more    unfavorable (X)

5

The results are shown in Table 3.

With respect to the size distribution of particles, when the dispersing time in an attriter is 10 hours or more, almost 90% or more of the total particles have particle sizes which are within  $\pm 50\%$  of the average particle size. However, the size distributions of particles of the inks prepared in Examples 2-31, 2-32 and 2-33, and Comparative Example 7 were precisely confirmed. The results are shown in the table below.

10

	Example 2-31	Example 2-32	Example 2-33	Comparative Example 7
Rate of total particles whose sizes are within $\pm 50\%$ of the average particle size (wt.%)	91.1	93.3	91.5	40.1

15

It was also confirmed that the quality of the images printed by using the inks prepared in Examples 2-31, 2-32 and 2-33 were the most excellent.

20

25

30

35

40

45

50

55

Table 1

	Example 1-1	Example 1-2	Example 1-3	Example 1-4
5 10 15 20 (Coloring Component) Carbon Black MA-100 CF-9 Organic Pigment Paliogen Black 0084 Hansa Yellow 10G Brilliant Carmine 6B Phthalocyanine Blue Phthalocyanine Green Processed Pigment Microlith Black C-T	2.0	5.0	7.0	4.0
25 30 35 (Solvent) Non-polar Solvent Isopar G Isopar H Isopar L Naphtha No. 6 Solvesso 150 IP Solvent 1620 IP Solvent 2028 Pegasol AS-100	97.9	94.9	92.9	95.9
40 (Dispersing Agent) Solsperse 17000	0.1	0.1	0.1	0.1
45 Average Particle Size $\mu\text{m}$	3.0	2.5	4.5	3.8
50 55 Viscosity mPa·s/at 25°C	2.3	2.2	3.3	4.6

Table 1 (Continuation 1)

	Example 1-5	Example 1-6	Example 1-7	Example 1-8
(Coloring Component)				
Carbon Black				
MA-100	2.0			
CF-9		5.0		
Organic Pigment				
Paliogen Black 0084			7.0	
Hansa Yellow 10G				4.0
Brilliant Carmine 6B				
Phthalocyanine Blue				
Phthalocyanine Green				
Processed Pigment				
Microlith Black C-T				
(Solvent)				
Non-polar Solvent				
Isopar G	97.9			
Isopar H		94.9		
Isopar L			92.9	
Naphtha No. 6				
Solvesso 150				
IP Solvent 1620				95.9
IP Solvent 2028				
Pegasol AS-100				
(Dispersing Agent)				
Solsperse 17000	0.1	0.1	0.1	0.1
Average Particle Size $\mu\text{m}$	3.0	2.5	4.5	3.8
Viscosity mPa·s/at 25°C	2.3	2.2	3.3	4.6

Table 2

Example 2-	1	2	3	4	5	6	7
<b>Ink Composition</b>							
<b>(Coloring Component)</b>							
Carbon Black							
CF-9		5.0					
MA-100	7.0						6.0
MA-7							
#44							
#5B							
#45							
#900							
Printex 75							
Printex 90							
Raven 1020							
Raven 1255							
Monarch 800							
Monarch 1100							
<b>Organic Pigment</b>							
Paliogen Black 0084			7.0				
Hansa Yellow 10G				4.0			
Phthalocyanine Blue					7.0		
Phthalocyanine Green						8.0	
<b>Metal Oxide (Iron Oxide)</b>							
MTB-15							
<b>(Solvent)</b>							
Isopar G		79.9					
Isopar H							
Isopar L							
Isopar M	82.9		82.9				
Naphtha No. 6						85.9	
Solvesso 150					87.9		
IP Solvent 1620							
IP Solvent 2028				83.9			
Pegasol AS100							
<b>(Resin)</b>							
Super Ester A-75			2.0	12.0			15.0
YS Polyester T-80		15.0					
Escron G90							
Ester Gum HP	10.0						
Paralloide B67					5.0		
Markeed No. 32						6.0	
Hiretts HRT 200X			8.0				
<b>(Dispersing Agent)</b>							
Solsperse 17000	0.1	0.1	0.1	0.1	0.1	0.1	
Nikkol T106							1.5
Hexagline 4-0							
Nikkol MYS-IEX							
<b>Average Particle Size <math>\mu\text{m}</math></b>	2.3	3.2	4.1	3.3	4.6	4.5	1.8
<b>Viscosity mPa·s/at 25°C</b>	5.3	6.0	4.3	5.2	3.8	4.1	9.1

Table 2 (continuation 1)

Example 2- Ink Composition	8	9	10	11	12	13	14
(Coloring Component) Carbon Black CF-9 MA-100 MA-7 #44 #5B #45 #900 Printex 75 Printex 90 Raven 1020 Raven 1255 Monarch 800 Monarch 1100 Organic Pigment Paliogen Black 0084 Hansa Yellow 10G Phthalocyanine Blue Phthalocyanine Green Metal Oxide (Iron Oxide) MTB-15	6.0	6.0	6.0	6.0	6.0	5.0	5.0
(Solvent) Isopar G Isopar H Isopar L Isopar M Naphtha No. 6 Solvesso 150 IP Solvent 1620 IP Solvent 2028 Pegasol AS100	77.5	77.5	77.5	91.0	62.5	84.0	84.0
(Resin) Super Ester A-75 YS Polyester T-80 Escron G90 Ester Gum HP Paralloide B67 Markeed No. 32 Hiretts HRT 200X	15.0	15.0	15.0	1.5	30.0	10.0	10.0
(Dispersing Agent) Solsperse 17000 Nikkol T106 Hexagline 4-0 Nikkol MYS-IEX	1.5	1.5	1.5	1.5	1.5	1.0	1.0
Average Particle Size $\mu\text{m}$	2.1	1.5	2.8	3.0	1.7	3.5	4.0
Viscosity mPa·s/at 25°C	8.7	11.3	6.2	4.1	14.5	6.5	5.3

Table 2 (continuation 2)

Example 2-	15	16	17	18	19	20	21
5 Ink Composition							
(Coloring Component)							
Carbon Black							
CF-9							
MA-100							
MA-7					5.0		
#44						5.0	
#5B							5.0
#45							
#900			5.0				
Printex 75							
Printex 90		5.0					
Raven 1020							
Raven 1255				5.0			
Monarch 800							
Monarch 1100	5.0						
Organic Pigment							
Paliogen Black 0084							
Hansa Yellow 10G							
Phthalocyanine Blue							
Phthalocyanine Green							
Metal Oxide (Iron Oxide)							
MTB-15							
(Solvent)							
Isopar G	85.0	85.0	85.0	85.0	85.0	85.0	85.0
Isopar H							
Isopar L							
Isopar M							
Naphtha No. 6							
Solvesso 150							
IP Solvent 1620							
IP Solvent 2028							
Pegasol AS100							
(Resin)							
Super Ester A-75	10.0	10.0	10.0	10.0	10.0	10.0	10.0
YS Polyester T-80							
Ecsron G90							
Ester Gum HP							
Paralloide B67							
Markeed No. 32							
Hiretts HRT 200X							
(Dispersing Agent)							
Solsperse 17000							
Nikkol T106							
Hexagline 4-0							
Nikkol MYS-IEX							
Average Particle Size $\mu\text{m}$	4.2	3.7	3.3	3.0	4.0	4.6	3.8
Viscosity mPa·s/at 25°C	0.1	5.7	6.8	7.2	5.1	4.0	4.8

Table 2 (continuation 3)

Example 2- Ink Composition	22	23	24	25	26	27
(Coloring Component) Carbon Black CF-9 MA-100 MA-7 #44 #5B #45 #900 Printex 75 Printex 90 Raven 1020 Raven 1255 Monarch 800 Monarch 1100 Organic Pigment Paliogen Black 0084 Hansa Yellow 10G Phthalocyanine Blue Phthalocyanine Green Metal Oxide (Iron Oxide) MTB-15	5.0	5.0	1.0	20.0	1.0	20.0
(Solvent) Isopar G Isopar H Isopar L Isopar M Naphtha No. 6 Solvesso 150 IP Solvent 1620 IP Solvent 2028 Pegasol AS100	85.0	85.0	97.99	88.99	86.5	67.5
(Resin) Super Ester A-75 YS Polyster T-80 Escron G90 Ester Gum HP Paralloide B67 Markeed No. 32 Hiretts HRT 200X	10.0	10.0	1.0	1.0	10.0	10.0
(Dispersing Agent) Solsperse 17000 Nikkol T106 Hexagline 4-0 Nikkol MYS-IEX			0.01	0.01	2.5	2.5
Average Particle Size $\mu\text{m}$	3.2	3.0	5.0	3.1	4.8	3.0
Viscosity mPa·s/at 25°C	6.5	7.5	2.4	18.5	3.5	23.0

Table 2 (continuation 4)

5	Example 2- Ink Composition	28	29	30	31	32	33
	(Coloring Component)						
	Carbon Black						
	CF-9						
10	MA-100	1.0	20.0	5.0	5.0	5.0	
	MA-7						
	#44						
	#5B						
	#45						
	#900						
15	Printex 75						
	Printex 90						
	Raven 1020						
	Raven 1255						
	Monarch 800						
20	Monarch 1100						
	Organic Pigment						
	Paliogen Black 0084						
	Hansa Yellow 10G						
	Phthalocyanine Blue						
25	Phthalocyanine Green						
	Metal Oxide (Iron Oxide)						
	MTB-15						10.0
	(Solvent)						
	Isopar G			83.7	83.7	88.7	
	Isopar H						
30	Isopar L						
	Isopar M	64.0	45.0				
	Naphtha No. 6						
	Solvesso 150						
35	IP Solvent 1620						74.8
	IP Solvent 2028						
	Pegasol AS100						
	(Resin)						
	Super Ester A-75	30.0	30.0			5.0	15.0
	YS Polyster T-80			10.0	10.0		
40	Escron G90						
	Ester Gum HP						
	Paralloide B67						
	Markeed No. 32						
	Hiretts HRT 200X						
	(Dispersing Agent)						
	Solsperse 17000			1.3	1.3	1.3	
	Nikkol T106						0.2
	Hexagline 4-0						
45	Nikkol MYS-IEX	5.0	5.0				
	Average Particle Size $\mu\text{m}$	3.3	3.1	1.0	1.1	1.0	5.0
50	Viscosity $\text{mPa}\cdot\text{s}/\text{at } 25^\circ\text{C}$	11.3	30.0	9.4	10.8	8.3	5.3

55

Table 3 (Test Results)

	Ex. 1-1	Ex. 1-2	Ex. 1-3	Ex. 1-4	Ex. 1-5	Ex. 1-6	Ex. 1-7	Ex. 1-8
a-1	○	○	○	○	○	○	○	○
a-2	-	-	-	-	-	-	-	-
a-3	-	-	-	-	-	-	-	-
a-4	-	-	-	-	-	-	-	-
a-5	○	○	○	○	○	○	○	○
a-6	○	○	○	○	○	○	○	○

5

10

15

20

25

30

35

40

45

50

55

5

10

15

20

25

30

35

40

45

50

55

Table 3 (Test Results) (continuation 1)

	Ex. 2-1	Ex. 2-2	Ex. 2-3	Ex. 2-4	Ex. 2-5	Ex. 2-6	Ex. 2-7	Ex. 2-8	Ex. 2-9	Ex. 2-10	Ex. 2-11
a-1	○	○	○	○	○	○	○	○	○	○	○
a-2	-	-	-	-	-	-	○	○	○	○	○
a-3	-	-	-	-	-	-	○	○	○	○	○
a-4	-	-	-	-	-	-	○	○	○	○	○
a-5	○	○	○	○	○	○	○	○	○	○	○
a-6	○	○	○	○	○	○	○	○	○	○	○

Table 3 (Test Results) (continuation 2)

	Ex. 2-12	Ex. 2-13	Ex. 2-14	Ex. 2-15	Ex. 2-16	Ex. 2-17	Ex. 2-18	Ex. 2-19	Ex. 2-20	Ex. 2-21	Ex. 2-22
a-1	○	○	○	○	○	○	○	○	○	○	○
a-2	○	-	-	-	-	-	-	-	-	-	-
a-3	○	-	-	-	-	-	-	-	-	-	-
a-4	○	-	-	-	-	-	-	-	-	-	-
a-5	○	○	○	○	○	○	○	○	○	○	○
a-6	○	○	○	○	○	○	○	○	○	○	○

5

10

15

20

25

30

35

40

45

50

55

5

10

15

20

25

30

35

40

45

50

55

Table 3 (Test Results) (continuation 3)

	Ex. 2-23	Ex. 2-24	Ex. 2-25	Ex. 2-26	Ex. 2-27	Ex. 2-28	Ex. 2-29	Ex. 2-30	Ex. 2-31	Ex. 2-32	Ex. 2-33
a-1	○	○	○	○	○	○	○	○	○	○	○
a-2	○	-	-	-	-	-	-	-	-	-	○
a-3	○	-	-	-	-	-	-	-	-	-	-
a-4	○	-	-	-	-	-	-	-	-	-	○
a-5	○	○	○	○	○	○	○	-	-	-	○
a-6	○	○	○	○	○	○	○	-	-	-	○

Table 3 (Test Results) (continuation 4)

	Comp. Ex. 1	Comp. Ex. 2	Comp. Ex. 3	Comp. Ex. 4	Comp. Ex. 5	Comp. Ex. 6	Comp. Ex. 7
a-1	X	X	X	X	O	X	X
a-2	-	-	-	○	-	-	-
a-3	-	-	-	○	-	-	-
a-4	-	-	-	○	-	-	-
a-5	X	○	○	○	X	X	○
a-6	○	○	○	○	○	○	○

As described above, when the ink for ink-jet printing according to the present invention is used, blur of an image printed on ordinary paper, which has been a conventional problem, can be prevented, and a high-density image can be clearly produced. Moreover, the ink does not cause clogging. In the case where the ink prepared by dissolving or dispersing a resin in a solvent is used, an image can be printed even on an OHP sheet or the like, and the image has resistance for scratch. Also, the preservability of the ink is high.

Since a pigment is employed in the ink, the ink reveals the remarkable effect of imparting improved resistance for light as compared with conventional inks.

#### INDUSTRIAL APPLICABILITY

The ink composition for ink-jet printing according to the present invention is widely employable as an ink for use with an ink-jet printer which produces an image on an image-recording medium by jetting droplets of the ink thereon.

#### **Claims**

1. An ink composition for ink-jet printing, comprising, as essential components, a coloring component and a dispersion medium in which said coloring component is homogeneously dispersed and retained, said coloring component being insoluble in said dispersion medium, and is dispersed therein as the state of finely divided particles with a particle size of 0.01  $\mu\text{m}$  or more, said dispersion medium comprising a non-polar insulation solvent and having a surface tension at 25°C of 50 mN/m or less, and said ink composition having the property in that said dispersion medium separates immediately from said coloring component at a moment when said ink composition is deposited on an image-recording material.

2. An ink composition according to Claim 1, wherein said ink composition further comprises a dispersing agent.
3. An ink composition according to Claim 1, wherein said coloring component has a particle size in the range of 0.01-10  $\mu\text{m}$ .
4. An ink composition according to Claim 1, wherein said coloring component comprises carbon black having a DBP oil absorption of 100 ml/100 g or less.
5. An ink composition according to Claim 1, wherein said coloring component comprises carbon black having a specific surface area of 300  $\text{m}^2/\text{g}$  or less.
6. An ink composition according to Claim 1, wherein said dispersion medium comprises an organic solvent.
7. An ink composition according to Claim 1, wherein said coloring component comprises a metal oxide.
8. An ink composition according to Claim 1, wherein 90% or more of total particles of said coloring component have particle sizes which are within  $\pm 50\%$  of an average particle size thereof.
9. An ink composition according to Claim 1, wherein said dispersion medium comprises an organic solvent having a high boiling point and low volatility.
10. An ink composition according to Claim 9, further comprising a resin which is soluble in said dispersion medium.
11. An ink composition according to Claim 1, wherein said dispersion medium further comprises a resin.
12. An ink composition according to Claim 11, wherein said resin comprises a polar resin.
13. An ink composition according to Claim 11, wherein the amount of said resin is 1-30 wt.%.
14. An ink composition according to Claim 1, wherein the amount of said coloring component is 1-20 wt.%.
15. An ink composition according to Claim 2, wherein the amount of said dispersing agent is 0.01-5 wt.%.
16. An ink composition according to Claim 11, further comprising a resin which is insoluble in said dispersion medium, said coloring component being contained in said resin, and said resin being dispersed in said dispersion medium.

#### Patentansprüche

1. Tintenzusammensetzung für das Tintenstrahldrucken, die als wesentliche Komponenten umfaßt (enthält) eine färbende Komponente und ein Dispersionsmedium, in dem die genannte färbende Komponente homogen dispergiert und zurückgehalten wird, wobei die genannte färbende Komponente in dem genannten Dispersionsmedium unlöslich ist und darin im Zustand von feinen Teilchen mit einer Teilchengröße von 0,01  $\mu\text{m}$  oder mehr dispergiert ist, das genannte Dispersionsmedium ein nicht-polares isolierendes Lösungsmittel mit einer Oberflächenspannung bei 25 °C von 50 mN/m oder weniger umfaßt und die genannte Tintenzusammensetzung die Eigenschaft hat, daß das genannte Dispersionsmedium sich in dem Augenblick, in dem die genannte Tintenzusammensetzung auf einem Bildaufzeichnungsmaterial abgeschieden wird, sich sofort von der genannten färbenden Komponente trennt.
2. Tintenzusammensetzung nach Anspruch 1, die außerdem ein Dispergiermittel enthält.
3. Tintenzusammensetzung nach Anspruch 1, in der die färbende Komponente eine Teilchengröße in dem Bereich von 0,01 bis 10  $\mu\text{m}$  hat.

4. Tintenzusammensetzung nach Anspruch 1, in der die färbende Komponente Ruß mit einer DBP-Ölabsorption von 100 ml/100 g oder weniger umfaßt.
5. Tintenzusammensetzung nach Anspruch 1, in der die färbende Komponente Ruß mit einer spezifischen Oberflächengröße von 300 m<sup>2</sup>/g oder weniger umfaßt.
6. Tintenzusammensetzung nach Anspruch 1, in der das genannte Dispersionsmedium ein organisches Lösungsmittel umfaßt.
7. Tintenzusammensetzung nach Anspruch 1, in der die färbende Komponente ein Metalloxid umfaßt.
8. Tintenzusammensetzung nach Anspruch 1, in der 90 % oder mehr der Gesamtmenge der Teilchen der genannten färbenden Komponenten Teilchengrößen aufweisen, die innerhalb  $\pm 50$  % ihrer durchschnittlichen Teilchengröße liegen.
9. Tintenzusammensetzung nach Anspruch 1, in der das genannte Dispersionsmedium ein organisches Lösungsmittel mit einem hohen Siedepunkt und einer niedrigen Flüchtigkeit umfaßt.
10. Tintenzusammensetzung nach Anspruch 9, die außerdem ein Harz enthält, das in dem genannten Dispersionsmedium löslich ist.
11. Tintenzusammensetzung nach Anspruch 1, in der das genannte Dispersionsmedium außerdem ein Harz umfaßt.
12. Tintenzusammensetzung nach Anspruch 11, in der das genannte Harz ein polares Harz umfaßt.
13. Tintenzusammensetzung nach Anspruch 11, in der die Menge des genannten Harzes 1 bis 30 Gew.-% beträgt.
14. Tintenzusammensetzung nach Anspruch 1, in der die Menge der genannten färbenden Komponente 1 bis 20 Gew.-% beträgt.
15. Tintenzusammensetzung nach Anspruch 2, in der die Menge des genannten Dispergiermittels 0,01 bis 5 Gew.-% beträgt.
16. Tintenzusammensetzung nach Anspruch 11, die außerdem ein Harz umfaßt, das in dem genannten Dispersionsmedium unlöslich ist, wobei die genannte färbende Komponente in dem genannten Harz enthalten ist und das genannte Harz in dem genannten Dispersionsmedium dispergiert ist.

#### 40 Revendications

1. Composition d'encre pour l'impression au jet d'encre, comprenant comme constituants essentiels un constituant colorant et un milieu de dispersion dans lequel ledit constituant colorant est dispersé de manière homogène et retenu, ledit constituant colorant étant insoluble dans ledit milieu de dispersion et il est dispersé dans celui-ci à l'état de particules finement divisées ayant une dimension de particule de 0,01  $\mu\text{m}$  ou plus, ledit milieu de dispersion comprenant un solvant isolant non polaire et ayant une tension superficielle à 25 °C de 50 mN/m ou moins, et ladite composition d'encre ayant la propriété que ledit milieu de dispersion se sépare immédiatement dudit constituant colorant au moment où ladite composition d'encre est déposée sur un matériau d'enregistrement d'images.
2. Composition d'encre selon la revendication 1, qui comprend en outre un agent dispersant.
3. Composition d'encre selon la revendication 1, dans laquelle ledit constituant colorant a une dimension de particule dans l'intervalle de 0,01-10  $\mu\text{m}$ .
4. Composition d'encre selon la revendication 1, dans laquelle ledit constituant colorant comprend du noir de carbone ayant une absorption d'huile DBP de 100 ml/100 g ou moins.

5. Composition d'encre selon la revendication 1, dans laquelle ledit constituant colorant comprend du noir de carbone ayant une surface spécifique de 300 m<sup>2</sup>/g ou moins.
6. Composition d'encre selon la revendication 1, dans laquelle ledit milieu de dispersion comprend un solvant organique.
7. Composition d'encre selon la revendication 1, dans laquelle ledit constituant colorant comprend un oxyde métallique.
8. Composition d'encre selon la revendication 1, dans laquelle 90 % ou plus du total des particules dudit constituant colorant ont des dimensions de particules dans l'intervalle de  $\pm 50$  % par rapport à leur dimension moyenne de particules.
9. Composition d'encre selon la revendication 1, dans laquelle ledit milieu de dispersion comprend un solvant organique ayant un poids d'ébullition élevé et une faible volatilité.
10. Composition d'encre selon la revendication 9, comprenant en outre une résine qui est soluble dans ledit milieu de dispersion.
11. Composition d'encre selon la revendication 1, dans laquelle ledit milieu de dispersion comprend en outre une résine.
12. Composition d'encre selon la revendication 11, dans laquelle ladite résine comprend une résine polaire.
13. Composition d'encre selon la revendication 11, dans laquelle la quantité de ladite résine est de 1-30 % en poids.
14. Composition d'encre selon la revendication 1, dans laquelle la quantité dudit constituant colorant est de 1-20 % en poids.
15. Composition d'encre selon la revendication 2, dans laquelle la quantité dudit agent dispersant est de 0,01-5 % en poids.
16. Composition d'encre selon la revendication 11, comprenant en outre une résine qui est insoluble dans ledit milieu de dispersion, ledit constituant colorant étant contenu dans ladite résine et ladite résine étant dispersée dans ledit milieu de dispersion.

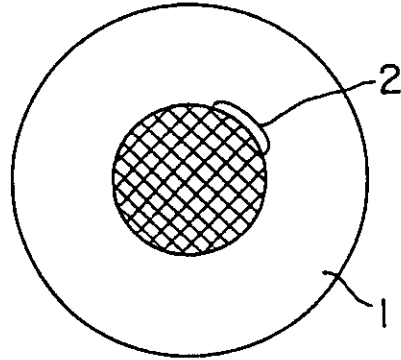


FIG. 1

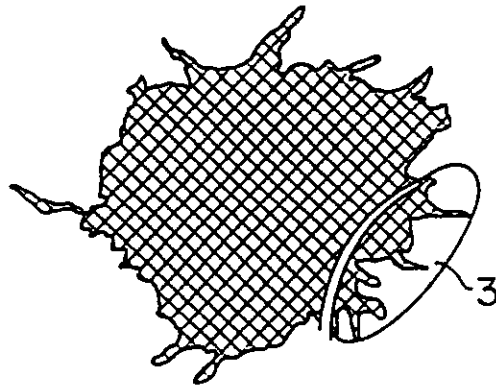


FIG. 2

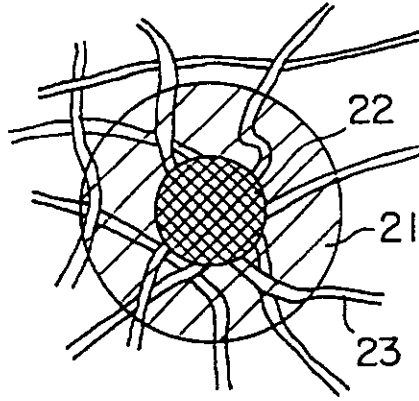


FIG. 3

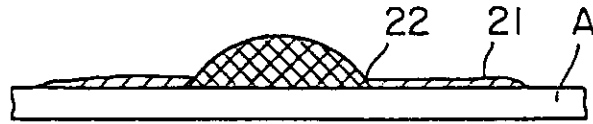


FIG. 4

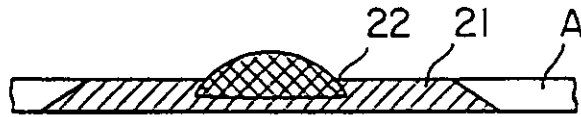


FIG. 5

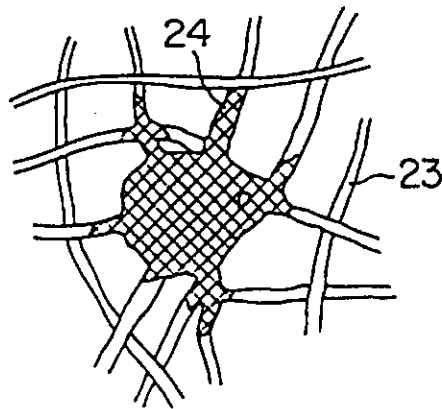


FIG. 6

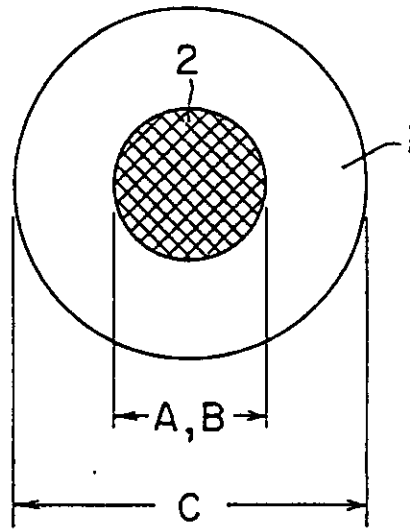


FIG. 7

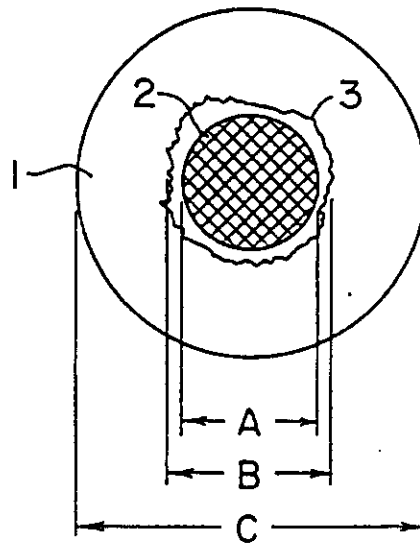


FIG. 8

REGISTER ENTRY FOR EP0454872 /

European Application No EP91900346.7 filing date 21.11.1990

Application in Japanese

Priorities claimed:

21.11.1989 in Japan - doc: 01302855  
21.11.1989 in Japan - doc: 01302856  
08.02.1990 in Japan - doc: 02029213  
08.02.1990 in Japan - doc: 02029214  
08.02.1990 in Japan - doc: 02029215  
08.02.1990 in Japan - doc: 02029216  
17.05.1990 in Japan - doc: 02127431  
17.05.1990 in Japan - doc: 02127435  
18.05.1990 in Japan - doc: 02128774  
21.05.1990 in Japan - doc: 02130789

PCT EUROPEAN PHASE

PCT Application PCT/JP90/01516 Publication No WO91/07470 on 30.05.1991

Designated States DE FR GB IT NL SE

Title INK FOR USE IN INK JET RECORDING.

Applicant/Proprietor

SEIKO EPSON CORPORATION, 4-1, Nishi-Shinjuku 2-chome, Shinjuku-ku Tokyo-to  
160, Japan [ADP No. 50309772004]

Inventors

MASAKAZU SHINOZUKA, C/O SEIKO EPSON CORPORATION, 3-5, Owa 3-chome,  
Suwa-shi, Nagano 392, Japan [ADP No. 59086256001]

HIROTO NAKAMURA, C/O SEIKO EPSON CORPORATION, 3-5, Owa 3-chome, Suwa-shi,  
Nagano 392, Japan [ADP No. 59086264001]

KENICHI KANBAYASHI, C/O SEIKO EPSON CORPORATION, 3-5, Owa 3-chome,  
Suwa-shi, Nagano 392, Japan [ADP No. 59086272001]

YAEKO MARUYAMA, C/O SEIKO EPSON CORPORATION, 3-5, Owa 3-chome, Suwa-shi,  
Nagano 392, Japan [ADP No. 59086280001]

NORIKO OYAMA, C/O SEIKO EPSON CORPORATION, 3-5, Owa 3-chome, Suwa-shi,  
Nagano 3892, Japan [ADP No. 59086298001]

HIROYUKI ONISHI, C/O SEIKO EPSON CORPORATION, 3-5, Owa 3-chome, Suwa-shi,  
Nagano 392, Japan [ADP No. 59086306001]

Classified to

C09D

Address for Service

ELKINGTON AND FIFE, Prospect House, 8 Pembroke Road, SEVENOAKS, Kent, TN13  
1XR, United Kingdom [ADP No. 00000067004]

EPO Representative

JOHN HARVEY LEWIN, ELKINGTON AND FIFE Prospect House, 8 Pembroke Road,  
Sevenoaks, Kent, TN13 1XR, United Kingdom [ADP No. 58793647001]

Publication No EP0454872 dated 06.11.1991  
Publication in English

Examination requested 15.08.1991

Patent Granted with effect from 28.06.1995 (Section 25(1)) with title INK FOR  
USE IN INK JET RECORDING.

---

26.05.1995 Notification from EPO of change of Applicant/Proprietor details  
from  
SEIKO EPSON CORPORATION, 4-1, Nishi-Shinjuku 2-chome, Shinjuku-ku  
Tokyo-to 160, Japan [ADP No. 50309772004]  
to  
SEIKO EPSON CORPORATION, 4-1, Nishishinjuku 2-chome, Shinjuku-ku  
Tokyo 160, Japan [ADP No. 50309772004]  
Entry Type 25.14 Staff ID. RD06 Auth ID. EPT

\*\*\*\* END OF REGISTER ENTRY \*\*\*\*

OA80-01  
PA

OPTICS - PATENTS

28/08/96 11:04:56  
PAGE: 1

RENEWAL DETAILS

PUBLICATION NUMBER EP0454872

PROPRIETOR(S)

SEIKO EPSON CORPORATION, 4-1, Nishishinjuku 2-chome, Shinjuku-ku  
Tokyo 160, Japan

DATE FILED 21.11.1990

DATE GRANTED 28.06.1995

DATE NEXT RENEWAL DUE 21.11.1996

DATE NOT IN FORCE

DATE OF LAST RENEWAL 13.11.1995

YEAR OF LAST RENEWAL 06

STATUS PATENT IN FORCE

\*\*\*\* END OF REPORT \*\*\*\*