



US00D726516S

(12) **United States Design Patent**  
**Hall**

(10) **Patent No.:** **US D726,516 S**

(45) **Date of Patent:** **\*\* Apr. 14, 2015**

(54) **FISH TAPE LEADER**

(71) Applicant: **Clarence Hall**, Conyers, GA (US)

(72) Inventor: **Clarence Hall**, Conyers, GA (US)

(\*\*) Term: **14 Years**

(21) Appl. No.: **29/454,304**

(22) Filed: **May 8, 2013**

(51) **LOC (10) Cl.** ..... **08-05**

(52) **U.S. Cl.**

USPC ..... **D8/14**

(58) **Field of Classification Search**

CPC ..... H02G 1/02; H02G 1/08; H02G 1/081;  
H02G 1/083

USPC ..... D8/14; D10/65; 33/392; 254/134.3 FT,  
254/134.3 R

See application file for complete search history.

(56) **References Cited**

**U.S. PATENT DOCUMENTS**

1,672,324	A *	6/1928	Kepler	.....	254/134.3 FT
1,730,993	A *	10/1929	Buchanan et al.	...	254/134.3 FT
2,490,837	A *	12/1949	Scott, Jr.	.....	254/134.3 R
2,711,878	A *	6/1955	Feinen	.....	254/134.3 R
3,554,493	A *	1/1971	Bowden et al.	.....	254/134.3 FT
3,858,848	A *	1/1975	MacFetrich	.....	254/134.3 FT
D376,081	S *	12/1996	Klamm	.....	D8/14
5,621,977	A *	4/1997	Hampton	.....	33/392

D379,598	S *	6/1997	Trammell	.....	D10/65
D380,165	S *	6/1997	Bertsch	.....	D10/65
D387,254	S *	12/1997	Klamm	.....	D8/14
6,622,393	B2 *	9/2003	Bartimus	.....	33/392
6,929,251	B2 *	8/2005	Watson	.....	254/134.3 FT
6,948,253	B1 *	9/2005	Lin	.....	33/392
7,216,846	B2 *	5/2007	Crawford	.....	254/134.3 FT
7,278,220	B1 *	10/2007	Lin	.....	33/392
8,657,259	B2 *	2/2014	Pagliarioli et al.	...	254/134.3 FT
2004/0065872	A1 *	4/2004	Watson	.....	254/134.3 FT
2006/0242852	A1 *	11/2006	Lin	.....	33/392
2007/0001157	A1 *	1/2007	Quick	.....	254/134.3 FT
2012/0080650	A1 *	4/2012	Davidson et al.	...	254/134.3 FT

\* cited by examiner

*Primary Examiner* — Philip S Hyder

*Assistant Examiner* — Roselynn Cody

(74) *Attorney, Agent, or Firm* — Michael J. Bootcheck, LLC

(57) **CLAIM**

The ornamental design for a fish tape leader, as shown and described.

**DESCRIPTION**

FIG. 1 is a perspective view of the leader with a tape extending therefrom;

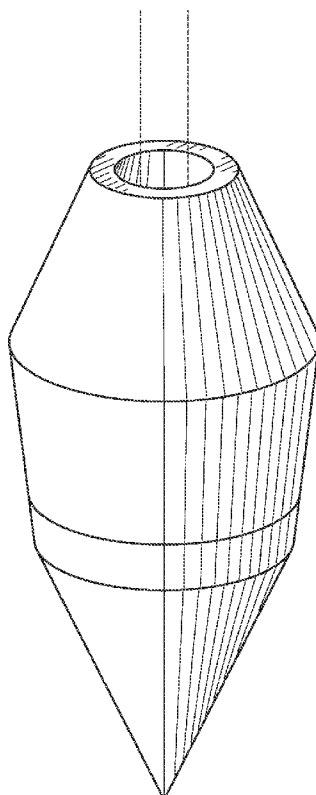
FIG. 2 is a side view thereof;

FIG. 3 is a top view thereof; and,

FIG. 4 is a bottom view thereof.

The broken lines in FIGS. 1-3 are directed to environment and form no part of the claim.

**1 Claim, 3 Drawing Sheets**



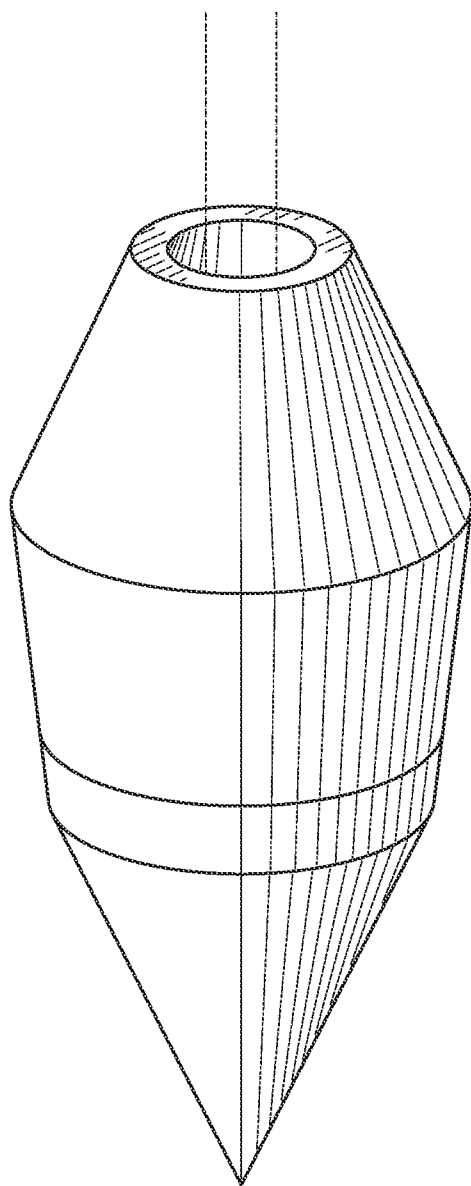


FIG. 1

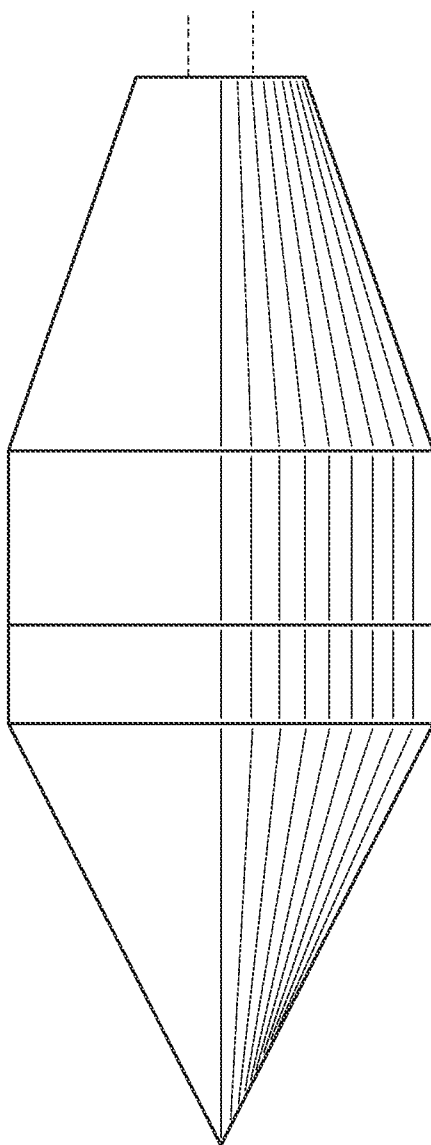


FIG. 2

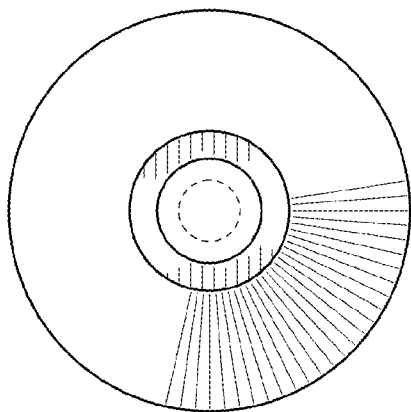


FIG. 3

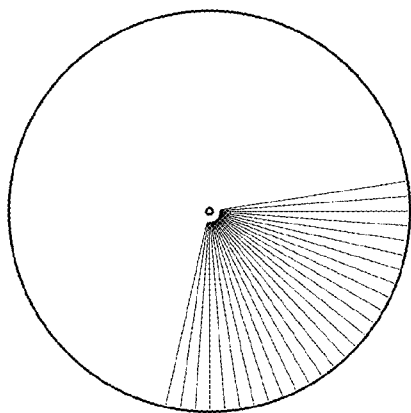


FIG. 4