



US00D883790S

(12) **United States Design Patent**
Garcia de Alba Morales

(10) **Patent No.:** **US D883,790 S**

(45) **Date of Patent:** **** May 12, 2020**

(54) **JUG**
(71) Applicant: **Illinois Tool Works Inc.**, Glenview, IL (US)
(72) Inventor: **Luis Ignacio Garcia de Alba Morales**, Guadalajara (MX)
(73) Assignee: **Illinois Tool Works Inc.**, Glenview, IL (US)
(**) Term: **15 Years**
(21) Appl. No.: **29/661,141**

D347,387 S *	5/1994	Bridger	D9/520
D351,347 S *	10/1994	Ring	D9/528
D358,991 S *	6/1995	Bridger	D9/528
D429,644 S *	8/2000	Hughes	D9/528
D462,616 S *	9/2002	Scheida	D9/520
D654,796 S *	2/2012	Wurth	D9/528
D785,457 S *	5/2017	Clemence	D9/528
D810,572 S *	2/2018	Oliveira	D9/528
D821,881 S *	7/2018	Clemence	D9/528
D826,056 S *	8/2018	Salotti	D9/528
D832,108 S *	10/2018	Clemence	D9/528
D835,511 S *	12/2018	Charlton	D9/528
D836,445 S *	12/2018	Charlton	D9/528
D842,114 S *	3/2019	Bradley	D9/528
D842,703 S *	3/2019	Lam	D9/528
D852,633 S *	7/2019	Bradley	D9/528

* cited by examiner

(22) Filed: **Aug. 24, 2018**
(51) **LOC (12) Cl.** **09-01**
(52) **U.S. Cl.**
USPC **D9/528**; D9/570
(58) **Field of Classification Search**
USPC D9/434, 516, 523, 527-528, 530-531, D9/543, 569-570, 575, 715, 719; D15/152; D23/211.1-211.2
CPC B65D 1/00; B65D 1/02; B65D 1/0223; B65D 1/0261; B65D 1/0284; B65D 1/44; B65D 23/00; B65D 23/10; B65D 23/102; B65D 2501/00; B65D 2501/0009; B65D 2501/081
See application file for complete search history.

Primary Examiner — Dana Meyrow
(74) *Attorney, Agent, or Firm* — Blue Filament Law PLLC

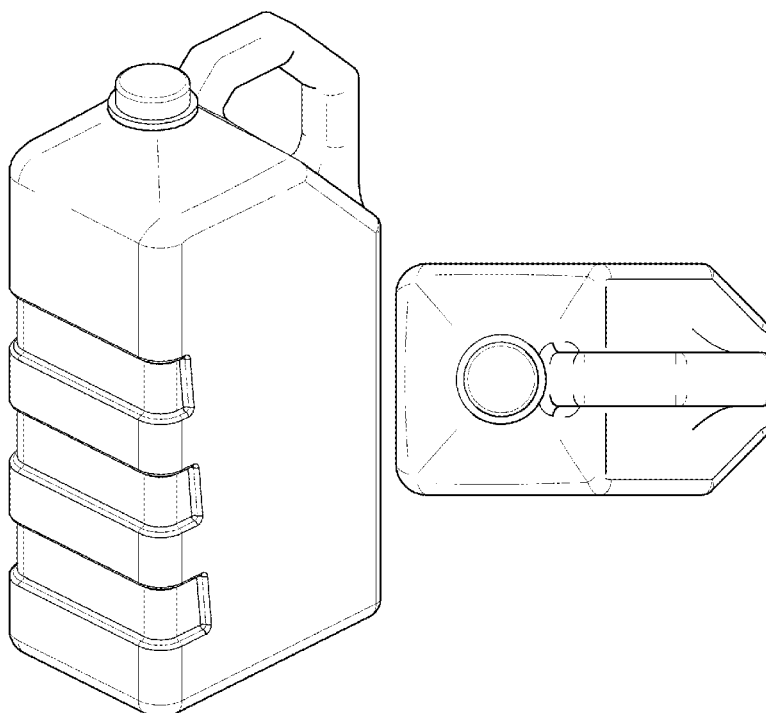
(57) **CLAIM**
The ornamental design for a jug, as shown and described.

DESCRIPTION

FIG. 1 is a first perspective view of the inventive jug; FIG. 2 is a second perspective of the jug depicted in FIG. 1; FIG. 3 is a front view of the jug depicted in FIG. 1; FIG. 4 is a back view of the jug depicted in FIG. 1; FIG. 5 is a bottom view of the jug depicted in FIG. 1; FIG. 6 is a top view of the jug depicted in FIG. 1; and, FIG. 7 is a right side view of the jug depicted in FIG. 1, where a left side view is a mirror image of FIG. 7.

1 Claim, 3 Drawing Sheets

(56) **References Cited**
U.S. PATENT DOCUMENTS
4,969,571 A * 11/1990 Bartz B65D 1/20 215/382
D346,331 S * 4/1994 Jaramillo D9/520



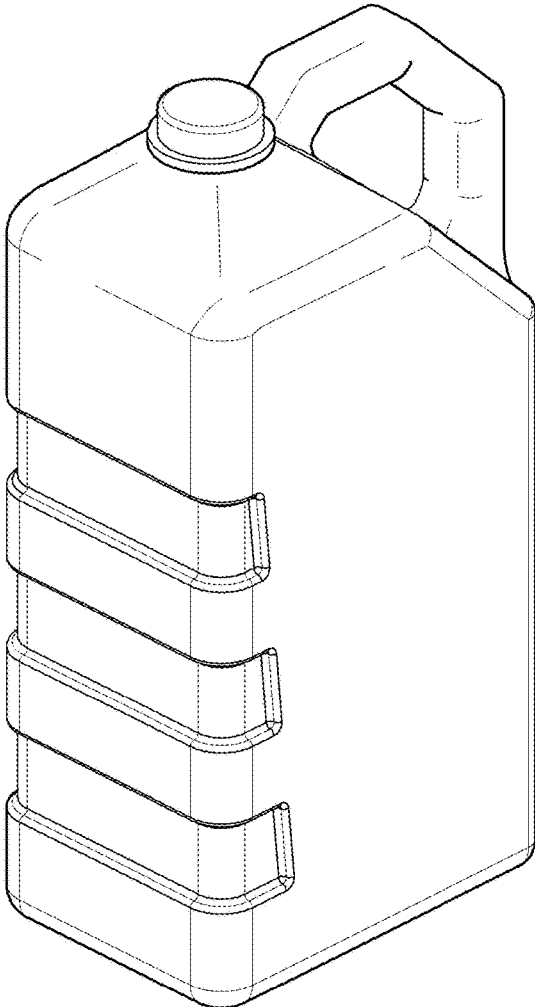


FIG. 1

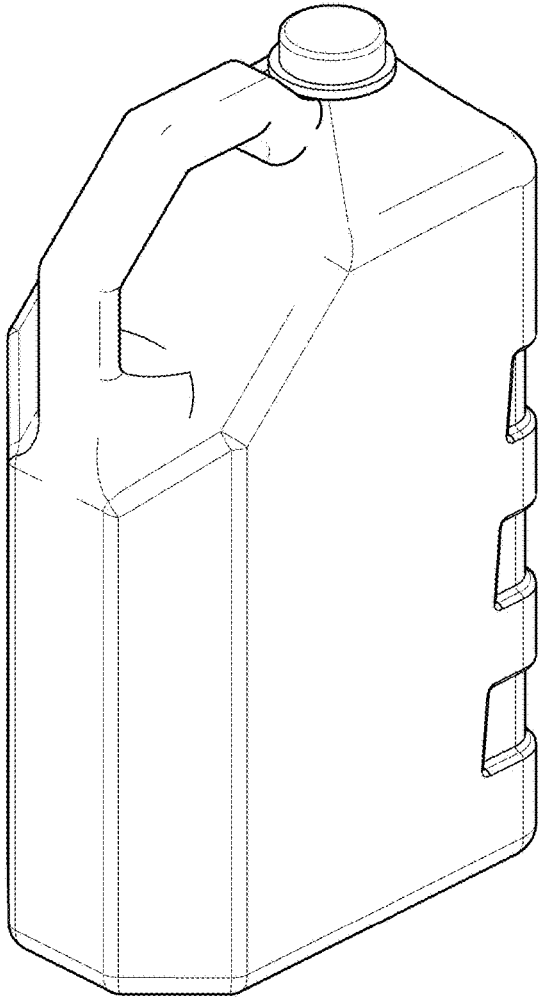


FIG. 2

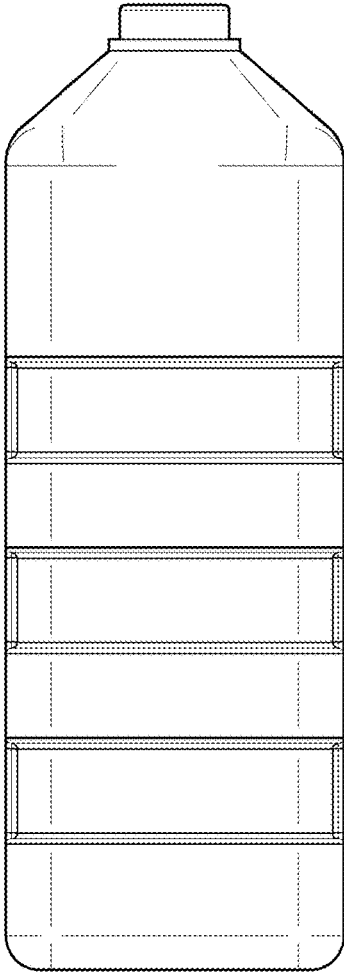


FIG. 3

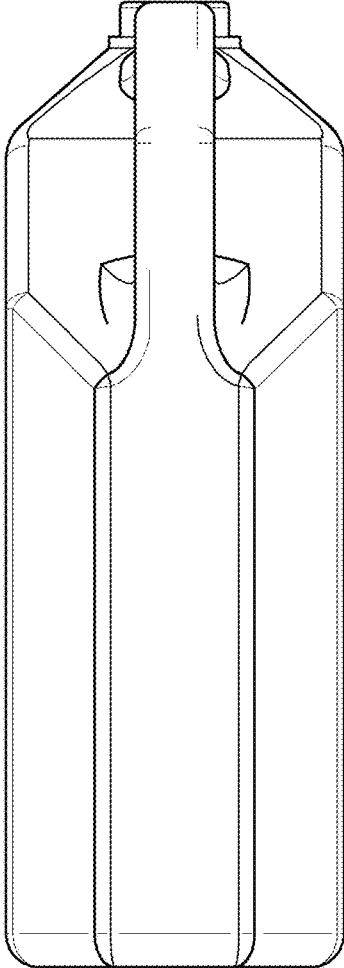


FIG. 4

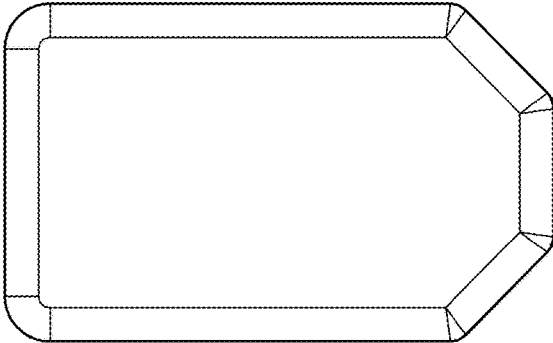


FIG. 5

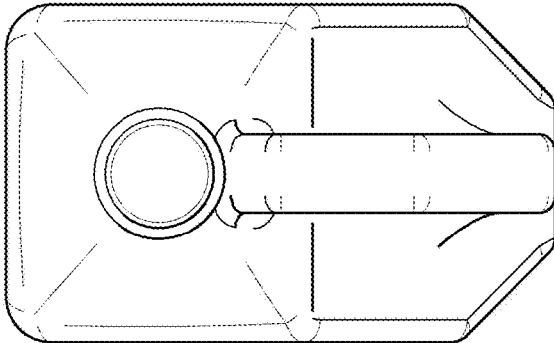


FIG. 6

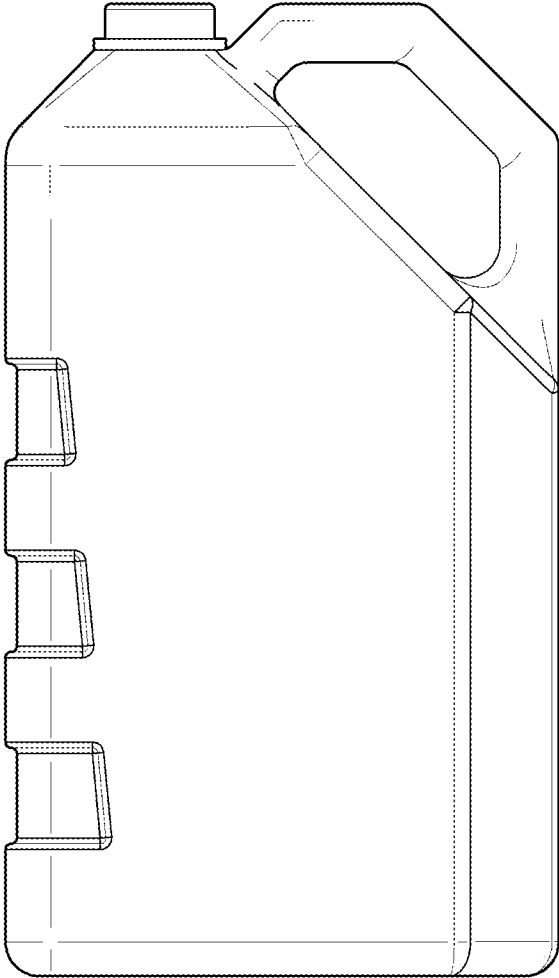


FIG. 7