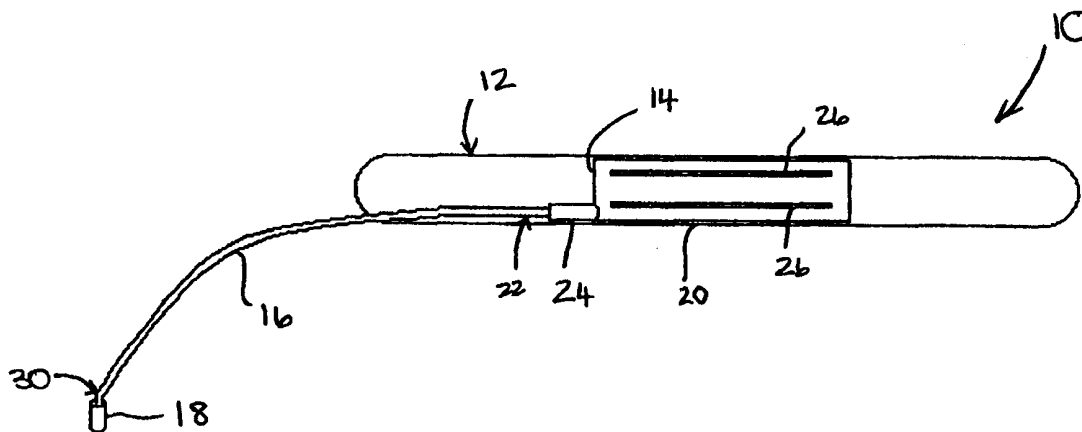




INTERNATIONAL APPLICATION PUBLISHED UNDER THE PATENT COOPERATION TREATY (PCT)

(51) International Patent Classification ⁷ : A61F 2/00	A1	(11) International Publication Number: WO 00/18319 (43) International Publication Date: 6 April 2000 (06.04.00)
<p>(21) International Application Number: PCT/ZA99/00104</p> <p>(22) International Filing Date: 30 September 1999 (30.09.99)</p> <p>(30) Priority Data: 98/8945 30 September 1998 (30.09.98) ZA</p> <p>(71) Applicants (for all designated States except US): BURGER, Nicolaas, Daniel, Lombard [ZA/ZA]; Generaal Louis Botha Drive, 0010 Constantia Park (ZA). OTTERMANN, Rudolf, Werner [ZA/ZA]; Farm Wolfshohle, Oorzaak, 0350 Froomdal (ZA). VON WIELLIGH, Adam, Jacobus [ZA/ZA]; Farm De Kroon, 0250 Brits (ZA).</p> <p>(71)(72) Applicant and Inventor: PRETORIUS, Johannes, Jacobus [ZA/ZA]; 101 Rodene Avenue, Lynnrodene, 0040 Pretoria (ZA).</p> <p>(74) Agents: DUNLOP, Alan, J., S. et al.; Hahn & Hahn Inc., 222 Richard Street, Hatfield, 0083 Pretoria (ZA).</p>	<p>(81) Designated States: AE, AL, AM, AT (Utility model), AU, AZ, BA, BB, BG, BR, BY, CA, CH, CN, CR, CU, CZ (Utility model), DE (Utility model), DK (Utility model), DM, EE (Utility model), ES, FI (Utility model), GB, GD, GE, GH, GM, HR, HU, ID, IL, IN, IS, JP, KE, KG, KP, KR, KZ, LC, LK, LR, LS, LT, LU, LV, MD, MG, MK, MN, MW, MX, NO, NZ, PL, PT, RO, RU, SD, SE, SG, SI, SK, SL, TJ, TM, TR, TT, TZ, UA, UG, US, UZ, VN, YU, ZA, ZW, ARIPO patent (GH, GM, KE, LS, MW, SD, SL, SZ, TZ, UG, ZW), Eurasian patent (AM, AZ, BY, KG, KZ, MD, RU, TJ, TM), European patent (AT, BE, CH, CY, DE, DK, ES, FI, FR, GB, GR, IE, IT, LU, MC, NL, PT, SE), OAPI patent (BF, BJ, CF, CG, CI, CM, GA, GN, GW, ML, MR, NE, SN, TD, TG).</p> <p>Published <i>With international search report. Before the expiration of the time limit for amending the claims and to be republished in the event of the receipt of amendments.</i></p>	

(54) Title: DISTENSIBLE SLING FOR URINARY INCONTINENCE



(57) Abstract

The invention provides a sling prosthesis (10) for urinary incontinence and also a method of treating urinary incontinence. The sling (10) has a flexible elongate member (12) and a distensible portion (14) and is configured to be inserted dorsally between the urethra and pelvic bone, with ends of the elongate member attachable to retropubic or ischial structures. A valve (18) which is subcutaneously implantable in a labial or scrotal region may be connected via a conduit (16) to the distensible portion (14) so that the distensible portion (14) sufficiently constricts the urethra to inhibit undesirable leakage of urine. Fluid can then either be injected into or extracted from the distensible portion in order to alter distension thereof.

FOR THE PURPOSES OF INFORMATION ONLY

Codes used to identify States party to the PCT on the front pages of pamphlets publishing international applications under the PCT.

AL	Albania	ES	Spain	LS	Lesotho	SI	Slovenia
AM	Armenia	FI	Finland	LT	Lithuania	SK	Slovakia
AT	Austria	FR	France	LU	Luxembourg	SN	Senegal
AU	Australia	GA	Gabon	LV	Latvia	SZ	Swaziland
AZ	Azerbaijan	GB	United Kingdom	MC	Monaco	TD	Chad
BA	Bosnia and Herzegovina	GE	Georgia	MD	Republic of Moldova	TG	Togo
BB	Barbados	GH	Ghana	MG	Madagascar	TJ	Tajikistan
BE	Belgium	GN	Guinea	MK	The former Yugoslav Republic of Macedonia	TM	Turkmenistan
BF	Burkina Faso	GR	Greece	ML	Mali	TR	Turkey
BG	Bulgaria	HU	Hungary	MN	Mongolia	TT	Trinidad and Tobago
BJ	Benin	IE	Ireland	MR	Mauritania	UA	Ukraine
BR	Brazil	IL	Israel	MW	Malawi	UG	Uganda
BY	Belarus	IS	Iceland	MX	Mexico	US	United States of America
CA	Canada	IT	Italy	NE	Niger	UZ	Uzbekistan
CF	Central African Republic	JP	Japan	NL	Netherlands	VN	Viet Nam
CG	Congo	KE	Kenya	NO	Norway	YU	Yugoslavia
CH	Switzerland	KG	Kyrgyzstan	NZ	New Zealand	ZW	Zimbabwe
CI	Côte d'Ivoire	KP	Democratic People's Republic of Korea	PL	Poland		
CM	Cameroon	KR	Republic of Korea	PT	Portugal		
CN	China	KZ	Kazakstan	RO	Romania		
CU	Cuba	LC	Saint Lucia	RU	Russian Federation		
CZ	Czech Republic	LI	Liechtenstein	SD	Sudan		
DE	Germany	LK	Sri Lanka	SE	Sweden		
DK	Denmark	LR	Liberia	SG	Singapore		
EE	Estonia						

DISTENSIBLE SLING FOR URINARY INCONTINENCE

The invention relates to a sling for urinary incontinence and to a method of treating urinary incontinence.

Background to the invention

In healthy people, muscular tube-like ureters move urine from the kidneys to the bladder, where it is stored until it is convenient to urinate, at which point the urine flows out of the body through the tube-like urethra. A circular muscle, called the sphincter, controls the activity of the urethra.

Stress incontinence is a storage problem in which the urethral sphincter is not able to hold urine. Storage problems may occur as a result of weakened pelvic muscles that support the bladder (seen especially in elderly people), or malfunction of the urethral sphincter. Prior trauma to the urethral area, neurological injury, and some medications may also weaken the urethral closure.

More particularly, an underactive outlet in men may result from a congenital defect or from direct or indirect trauma to the anatomy or physiology of the bladder outlet. Indeed, direct trauma due to prostatectomy is the most common cause of male sphincter weakness.

Stress incontinence may be seen in women who have had multiple pregnancies, pelvic surgery, pelvic prolapse (protrusion of the bladder or urethra into the vaginal space), cystocele, or

rectocele. Additionally, women with low estrogen levels may have stress incontinence due to decreased vaginal muscle tone.

Stress incontinence results in a condition in which patients suffer urine leakage when coughing, sneezing, standing up, lifting objects, or physically exerting themselves. Sufferers may experience not only physical discomfort, but also emotional discomfort. Many people affected by loss of bladder control isolate themselves for fear of embarrassment and ridicule, and the condition is often connected to a loss of self-esteem, with many sufferers being too embarrassed to report the condition or seek medical treatment. Adults also often find employment difficult or impossible because of these factors.

While many sufferers of stress incontinence simply wear a catheter or adult diaper, the applicant is aware of many different surgical procedures that may be used to treat incontinence. Some of the more common procedures performed to treat urinary incontinence include bladder neck suspension or sling procedures, periurethral bulking injections (for example, collagen injections around the urethra, injections of other material and injections of balloon-like structures), anterior vaginal repair or implantation of an artificial urinary sphincter.

Many of these procedures have potentially serious complications, for example, potential complications that can occur after a collagen injection include infection, urine retention, and temporary erectile dysfunction in men. Some people may also have a potentially serious allergic reaction to collagen. Some of the procedures also require substantial invasive surgery, which is not only expensive but is also potentially harmful for the patient undergoing the surgery. Invasive surgery is again required if the continence of the patient later changes, if the original procedure was insufficient to properly treat the incontinence or if infection necessitates removal of the

device. Furthermore, sometimes discomfort experienced by patients having, for example artificial urinary sphincters, is not negligible. Apart from the above factors, the products and procedures are expensive, thereby often limiting the treatment available to many patients.

In the sling procedure mentioned above, a piece of abdominal tissue (fascia) or synthetic material is placed underneath the urethra like a hammock or sling to support and compress it, thus inhibiting urine leakage during stress manoeuvres. The various sling procedures performed all involve placing a sling under the urethrovesical junction and anchoring it to retropubic or abdominal structures or both. These procedures have traditionally been performed on mostly female patients, where the sling is placed between the urethra and vaginal wall.

Severe complications, many of which are directly attributable to local effects of the sling (i.e. infection, erosion of the sling, nonhealing of the vaginal wall in women, abscess and vesicovaginal fistula in women) have been observed. Other possible complications include urinary retention and new onset of irritative voiding symptoms.

A need therefore exists to provide an affordable and simplified device and procedure for treating urinary stress incontinence, which reduces the possibility of complications arising, requires less invasive surgery and which is easier to adjust, especially in men.

Summary of the Invention

Accordingly, according to a first embodiment of the invention there is provided a prosthesis for treating urinary incontinence, the prosthesis including:

- a flexible elongate member; and
- a distensible portion.

The distensible portion may be located on a surface of the elongate member. The prosthesis may include a conduit, typically a flexible pipe, in flow communication with the distensible portion. A valve means connected to an end of the conduit remote from the distensible portion may be provided, the valve means being in flow communication with the distensible portion.

At least one ridge may be located on an inner surface of the distensible portion. Similarly, at least one longitudinal or spiral ridge may be located along at least a portion of the length of an inner surface of the conduit.

The valve means may be sized and configured to permit subcutaneous implantation thereof in a labial region of a female patient, or in a scrotum of a male patient. The valve means typically includes a housing; a layer of resiliently deformable material; and a protection means for protecting the conduit from penetration by a sharp object. The resiliently deformable material may be self-sealing, for example, the material may be a silicone rubber. An outer surface of the valve means may contain grooves or ridges.

The sharp object from which the protection means protects the conduit may be a needle, more particularly, a syringe needle. The protection means may be a cone-shaped plate having perforations to permit fluid flow therethrough.

The elongate member, distensible portion and conduit may be manufactured from bio-compatible materials. Similarly, the valve means may be covered with a bio-compatible material.

According to a second embodiment of the invention there is provided a method for surgically treating urinary incontinence, the method including the following steps:

- inserting a prosthesis dorsally between the urethra and pelvic bone, the prosthesis including a flexible elongate member and a distensible portion; and
- securing either end of the elongate member to retropubic or ischial structures such that the distensible portion is positioned between the urethra and pelvic bone.

The prosthesis may be a prosthesis substantially of the type described above.

The prosthesis may be positioned such that the distensible portion is located between the urethra and the elongate member, and the elongate member is located between the pelvic bone and the distensible portion. The ends of the elongate member are preferably attached to left and right inferior pubic rami using non-absorbable sutures. The valve means may be subcutaneously implanted in a labial region of a female patient, or in a scrotum of a male patient.

The method may further include the step of distending the distensible portion by injecting fluid, preferably a fluid containing radio-opaque dye, into the distensible portion through the valve means in order to increase pressure exerted by the prosthesis on the urethra. The distensible portion may be distended until the pressure is sufficient so as to substantially constrict the urethra. Fluid may also be extracted from the distensible portion through the valve means so as to decrease the pressure exerted by the prosthesis on the urethra.

Description of the Drawings

The invention will now be described further, by way of non-limiting example, with reference to the accompanying drawings.

In the drawings,

Figure 1 shows a plan view of a prosthesis for use in the treatment of urinary incontinence according to the invention;

Figure 2 shows a front view of the prosthesis of Figure 1;

Figure 3 shows a sectioned side view of a valve of the prosthesis of Figure 1;

Figure 4 shows a front partially sectioned view of the prosthesis of Figure 1 in a male patient;

Figure 5 shows a side view of the prosthesis of Figure 4; and

Figure 6 shows a front sectioned view of the prosthesis of Figure 1 in a female patient.

Referring to the drawings, reference numeral 10 generally indicates a prosthesis in accordance with the invention.

In Figures 1 and 2, the prosthesis 10 has a flexible elongate member 12, a distensible portion 14, a conduit in the form of a flexible pipe 16 and a valve means in the form of a valve 18.

The elongate member 12 is in the form of a fibre-reinforced sling 12 manufactured from silicone impregnated nylon fibre. The distensible portion 14 is in the form of a balloon 14 bonded to a surface 20 of the sling 12.

One end 22 of the pipe 16 is attached to the balloon 14 so as to be in fluid flow communication therewith. A collar 24 is provided to facilitate bonding of the pipe 16 to the balloon 14. Longitudinal ridges 26 are located on an inner wall 28 of the balloon 14 to inhibit blockage of the balloon 14 due to external pressure when the balloon 14 is in an undistended state.

Moulded longitudinal ridges (not shown) in the pipe 16 inhibit kinking of the pipe 16 and thereby prevent potential blockages in the pipe 16 which could be caused if the pipe 16 were to kink. The longitudinal ridges also inhibit blockage to the pipe 16 which may be caused by external pressures exerted on the pipe 16 after implantation in a patient.

Referring also to Figure 3, end portion 30 of the flexible pipe 16 is attached to the valve 18. The valve 18 has a stainless steel housing 32; a layer of resiliently deformable elastic polymeric material 34 of the silicone rubber or sealant type; and a protection means in the form of a substantially conical plate 36. The silicone rubber material 34 forms a plug 34 in the valve body 37. The plate 36 is perforated to allow fluid flow therethrough while inhibiting larger solid material from passing through the valve 18 into the pipe 16. Ridges 35 are located on an outer surface of the housing 32. The housing 32 and silicone plug 34 are encapsulated with silicone rubber 33 to provide bio-compatibility of the valve 18 and also to insulate the valve 18 in the event that the valve 18 develops a leak.

Referring now to Figures 4 to 6, the prosthesis 10 is permanently implanted in a patient whilst the patient is under anaesthesia. The sling 12 is cut to a required size to permit a suitable fit for implantation and attachment to the pelvic bone 38. The prosthesis 10 is inserted dorsally between the patient's urethra 40 and pelvic bone 38 such that the balloon 14 is positioned between the urethra 40 and the sling surface 20, with the sling 12 located against the pelvic bone 38. End

portions 42 and 44 of the sling 12 are secured to the patient's left and right inferior pubic rami 46 and 48, respectively, in order to maintain the balloon 14 in its desired position. Non-absorbable sutures 50, which run through the fibre-reinforced sling 12, are used to secure the prosthesis 10 to the pubic rami 46 and 48. Surgical staples 52 and screws 53 are in some instances additionally used.

The flexible pipe 16 and valve 18 are then routed to a scrotum 54 if the patient is male or to a labium 56 if the patient is female, and are subcutaneously implanted so that the implanted valve 18 remains easily accessible after completion of the implantation procedure. The ridges 35 moulded on the outer surface of the housing 22 permit easy attachment of the valve 18 onto the tissue underlying the skin 58 by means of non-soluble sutures (not shown). This also inhibits the valve 18 from becoming displaced from the implantation location. After implantation of the prosthesis 10 is complete, air inside the balloon 14 is extracted and the operating wound is closed.

Approximately four weeks after the above procedure, the balloon 14 is systematically distended with a fluid, typically distilled water, containing a radio opaque dye. The position of the valve 18 is located underneath the skin 58 of the patient and the radio opaque dye is injected into the valve 18, using a syringe and needle (not shown). The needle penetrates the silicone sealant plug 34 in the stainless steel housing 32. The needle is unable to penetrate the conical plate 36, which serves to protect the pipe 16 from accidental puncture by the needle should too much pressure be applied when inserting the needle into the valve 18. Fluid from the syringe is then injected into the valve 18, from where the fluid flows through the perforations in the plate 36 into the pipe 16 and balloon 18.

As the fluid flows into the balloon 14, the balloon 14 distends and exerts pressure on the pelvic bone 38 and urethra 40. This pressure blocks the urinary pathway by forming an artificial obstruction in the urethra 40. This obstruction simulates the function of the sphincter (not shown), thus inhibiting leakage of urine from the bladder (also not shown). Radiography is used during the inflation procedure to enable the practitioner conducting the procedure to ascertain when the urethra 40 becomes obstructed. The syringe needle is then removed from the valve 18 and the silicone sealant 34 seals the perforation created by the needle.

The balloon pressure required to sufficiently obstruct the urethra 40 and thus inhibit leakage of urine varies from patient to patient. Typically 3 ml to 6 ml, and more particularly 4 ml to 5 ml of fluid is required for the balloon 14 to be sufficiently distended to obstruct the urethra 40. The pressure in the balloon 14 can easily be altered by injecting or extracting the fluid into or from the valve 18 located underneath the skin 58. This can be repeated until such time as the correct pressure is attained.

Similarly, if the continence of the patient later changes, for example due to weight change or other physical changes, the amount of fluid in the balloon can easily be increased or decreased in the manner described above.

While the balloon 14 must be sufficiently distended to inhibit urine leakage, it is also important that the balloon 14 not exert too much pressure on the urethra 40 so that normal urination becomes impossible or difficult. When the patient wishes to urinate, the bladder detrusor muscles contract, causing an increase in bladder pressure. If the patient also exerts pressure on the lower abdominal organs by pressing down on the abdominal area slightly, the combination of these pressures causes the urethra 40 to move down and away from the balloon 14. Less pressure is

thus exerted on the urethra 40 by the balloon 14 and urine should therefore be able to pass through the obstruction, resulting in normal controlled urination. If normal urination is not possible in this way, then the balloon 14 has been over-distended, and fluid can be extracted therefrom.

Although the above described surgical procedure has thus far been experimentally performed on male patients only, the procedure and prosthesis is also suitable for use in female patients. In particular, the positioning of the sling 12 and balloon 14 between the urethra 40 and pelvic bone 38, rather than between the urethra 40 and vaginal wall 39, is advantageous in that the risk of damage and/or sepsis of the vaginal wall 39 as a result of friction between the sling 12 and vaginal wall 39 is removed.

In the trials conducted so far, each patient had prior to the implantation of the prosthesis been required to wear a catheter. After implantation of the prosthesis, all the patients showed an improvement in continence, and correspondingly all the patients reported a cessation of incontinence.

All materials used are bio-compatible and inert due to the permanent nature of the prosthesis in the body. The balloon, sling and pipe are manufactured from a two part Bayer Siloprene Liquid Silicone RubberTM (LSR Grade 40) system. The Siloprene LSRTM grade offers good mechanical strength, flexibility and moulding properties. The materials comply with US Pharmacopoeia XXII, Class VI requirements as well as the requirements set out by the American Food and Drug Administration. The stainless steel insert used for the valve housing and plate is grade 316 L, commonly used in surgical applications.

The invention is not limited to the precise constructional details as herein described. For example, the prosthesis may be manufactured from any suitable bio-compatible material and the valve may be differently configured.

The applicant believes that the invention is advantageous in that it provides a prosthesis for the treatment of stress incontinence which is externally adjustable if the continence of the patient changes, requires less invasive surgery than alternative products and procedures, and is less expensive than alternatives. Furthermore, the costs of the procedure to implant the prosthesis are further reduced because of the reduced operating time required for surgery. The prosthesis is also anatomically designed so that little or no discomfort is experienced by a patient in whom the prosthesis is implanted.

CLAIMS

1. A prosthesis for treating urinary incontinence, the prosthesis including:
a flexible elongate member; and
a distensible portion.
2. A prosthesis as claimed in claim 1, wherein distension of the distensible portion is alterable.
3. A prosthesis as claimed in either of claims 1 or 2, which includes a conduit in flow communication with the distensible portion.
4. A prosthesis as claimed in claim 3, wherein the conduit is a flexible pipe.
5. A prosthesis as claimed in either of claims 3 or 4, which further includes a valve means connected to an end of the conduit remote from the distensible portion, the valve means being in flow communication with the distensible portion.
6. A prosthesis as claimed in any one of claims 1 to 5, wherein at least one ridge is located on an inner surface of the distensible portion.
7. A prosthesis as claimed in any one of claims 3 to 6, wherein at least one longitudinal ridge is located along at least a portion of the length of an inner surface of the conduit.

8. A prosthesis as claimed in any one of claims 3 to 6, wherein at least one spiral ridge runs along the length of an inner surface of the conduit.
9. A prosthesis as claimed in any one of claims 5 to 8, wherein the valve means is sized and configured to permit subcutaneous implantation thereof in a labial region.
10. A prosthesis as claimed in any one of claims 5 to 8, wherein the valve means is sized and configured to permit subcutaneous implantation thereof in a scrotum.
11. A prosthesis as claimed in any one of claims 5 to 10, wherein the valve means includes:
a housing;
a layer of resiliently deformable material; and
a protection means for protecting the conduit from penetration by a sharp object.
12. A prosthesis as claimed in claim 11, wherein the resiliently deformable material is self-sealing.
13. A prosthesis as claimed in either of claims 11 or 12, wherein the resiliently deformable material is a silicone rubber.
14. A prosthesis as claimed any one of claims 11 to 13, wherein the sharp object is a needle.
15. A prosthesis as claimed in claim 14, wherein the needle is a syringe needle.

16. A prosthesis as claimed in any one of claims 11 to 15, wherein the protection means is a cone-shaped plate having perforations to permit fluid flow therethrough.
17. A prosthesis as claimed in any one of claims 5 to 16, wherein an outer surface of the valve means is grooved.
18. A prosthesis as claimed in any one of claims 5 to 17, wherein an outer surface of the valve means is ridged.
19. A prosthesis as claimed in any one of claims 3 to 18, wherein the elongate member, distensible portion and conduit are manufactured from bio-compatible materials.
20. A prosthesis as claimed in any one of claims 5 to 19, wherein the valve means is covered with a bio-compatible material.
21. A method for surgically treating urinary incontinence, the method including the following steps:
inserting a prosthesis dorsally between the urethra and pelvic bone, the prosthesis including a flexible elongate member and a distensible portion; and
securing either end of the elongate member to retropubic or ischial structures such that the distensible portion is positioned between the urethra and pelvic bone.
22. A method as claimed in claim 21, which further includes the step of distending the distensible portion.

23. A method as claimed in either of claims 21 or 22, wherein the distension of the distensible portion is adjustable.
24. A method as claimed in any one of claims 21 to 23, wherein the prosthesis includes a conduit in flow communication with the distensible portion.
25. A method as claimed in claim 24, wherein the conduit is a flexible pipe.
26. A method as claimed in any one of claims 24 to 25, wherein a valve means is connected in flow communication to an end of the conduit which is remote the distensible portion.
27. A method as claimed in any one of claims 21 to 26, wherein the distensible portion is located on a surface of the elongate member.
28. A method as claimed in claim 27, wherein the prosthesis is positioned such that the distensible portion is located between the urethra and the elongate member.
29. A method as claimed in either of claims 27 or 28, wherein the elongate member is located between the pelvic bone and the distensible portion.
30. A method as claimed in any one of claims 21 to 29, wherein the ends of the elongate member are attached to left and right inferior pubic rami.

31. A method as claimed in claim 30, wherein non-absorbable sutures are used to attach the elongate member to the inferior pubic rami. f
32. A method as claimed in any one of claims 26 to 31, wherein the valve means is subcutaneously implanted in a labial region. it
33. A method as claimed in any one of claims 26 to 31, wherein the valve means is subcutaneously implanted in a scrotum. ci
34. A method as claimed in any one of claims 26 to 33, wherein fluid is injected into the distensible portion through the valve means. /a
35. A method as claimed in any one of claims 26 to 33, wherein fluid is extracted from the distensible portion through the valve means. /a
36. A method as claimed in either of claims 34 or 35, wherein the fluid contains a radio opaque dye.
37. A method as claimed in any one of claims 21 to 36, wherein the distensible portion is distended until the prosthesis exerts sufficient pressure on the urethra so as to substantially constrict the urethra.
38. A method as claimed in claim 37, wherein the pressure is increased by injecting further fluid into the distensible portion.

39. A method as claimed in claim 37, wherein the pressure is decreased by extracting fluid from the distensible portion.
40. A prosthesis according to the invention, as hereinbefore generally described.
41. A prosthesis as specifically described with reference to or as illustrated in the accompanying drawings.
42. A prosthesis including any new and inventive integer or combination of integers, substantially as herein described.
43. A method for surgically treating urinary incontinence according to the invention, as hereinbefore generally described.
44. A method for surgically treating urinary incontinence as specifically described with reference to or as illustrated in the accompanying drawings.
45. A method for surgically treating urinary incontinence including any new and inventive integer or combination of integers, substantially as herein described.

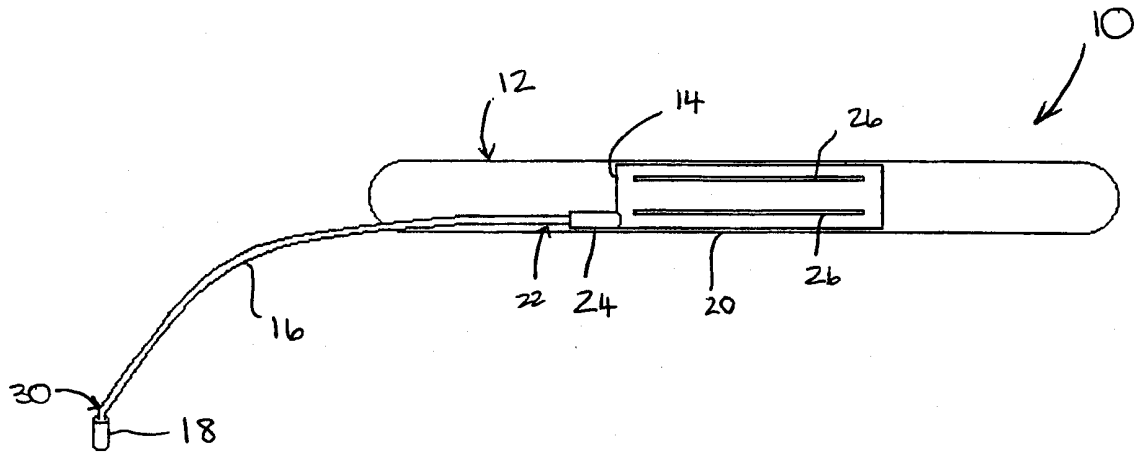


Figure 1

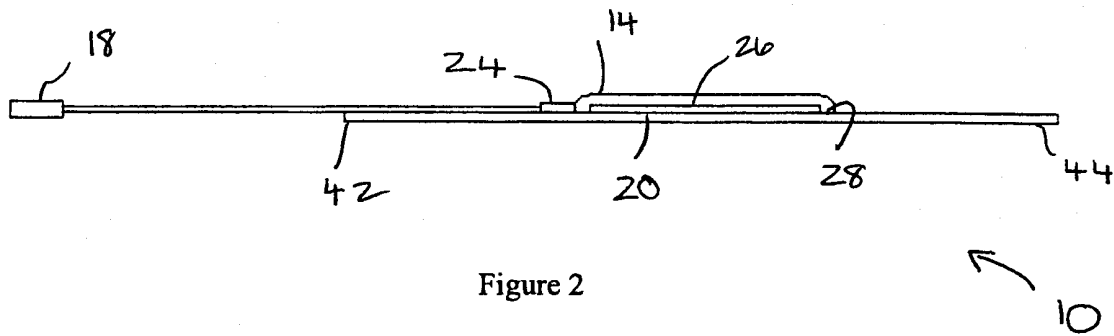


Figure 2

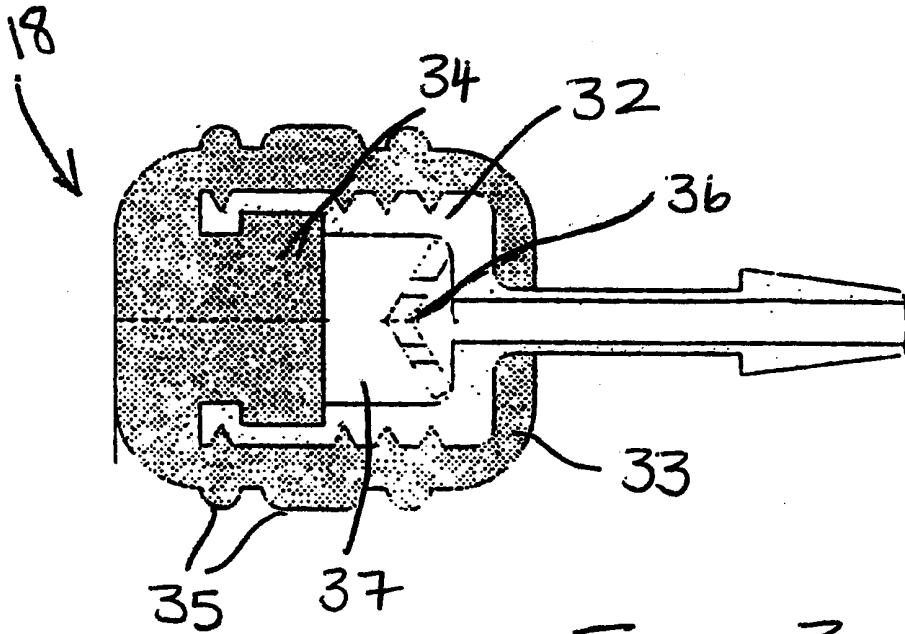


Figure 3

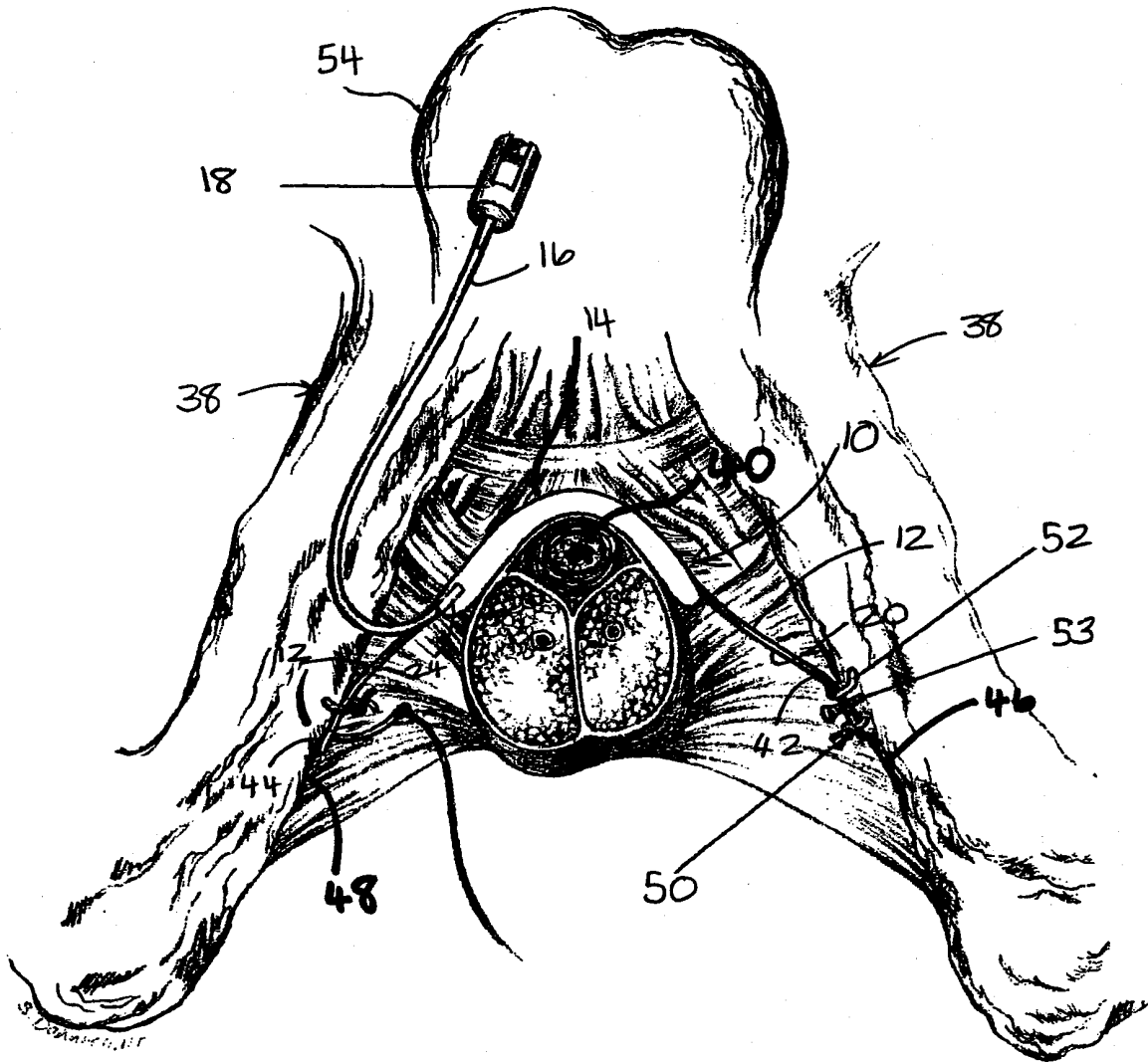


Figure 4

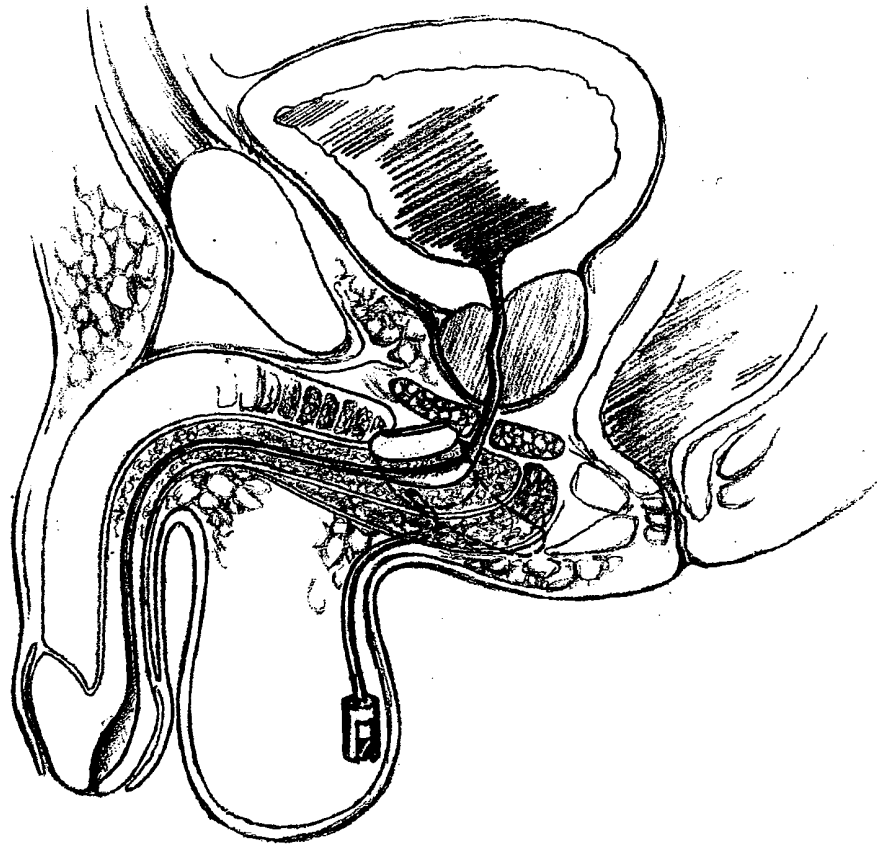


FIGURE 5

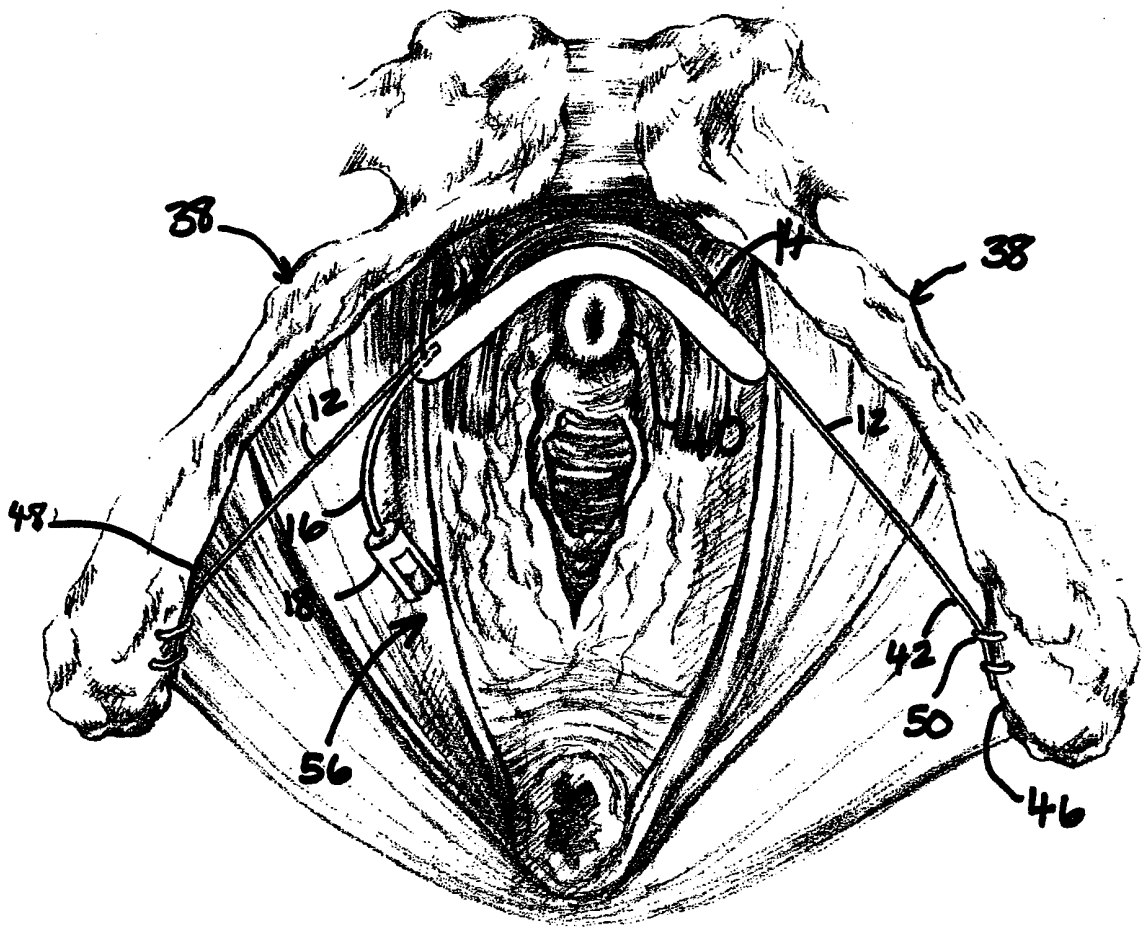


Figure 6

INTERNATIONAL SEARCH REPORT

International Application No

PCT/ZA 99/00104

A. CLASSIFICATION OF SUBJECT MATTER
IPC 7 A61F2/00

According to International Patent Classification (IPC) or to both national classification and IPC

B. FIELDS SEARCHED

Minimum documentation searched (classification system followed by classification symbols)

IPC 7 A61F

Documentation searched other than minimum documentation to the extent that such documents are included in the fields searched

Electronic data base consulted during the international search (name of data base and, where practical, search terms used)

C. DOCUMENTS CONSIDERED TO BE RELEVANT

Category °	Citation of document, with indication, where appropriate, of the relevant passages	Relevant to claim No.
X	WO 85 02993 A (HABLEY MEDICAL TECHNOLOGY CORP) 18 July 1985 (1985-07-18) page 15, paragraph 2; figures page 29	1-6, 10, 19, 20, 40-42
A	--- ---	7, 8, 11-15
X	US 4 709 690 A (HABER TERRY M) 1 December 1987 (1987-12-01) column 3, line 29 - line 59; figures --- -/--	1-5, 10-16, 19, 20, 40-42

Further documents are listed in the continuation of box C.

Patent family members are listed in annex.

° Special categories of cited documents :

- "A" document defining the general state of the art which is not considered to be of particular relevance
- "E" earlier document but published on or after the international filing date
- "L" document which may throw doubts on priority claim(s) or which is cited to establish the publication date of another citation or other special reason (as specified)
- "O" document referring to an oral disclosure, use, exhibition or other means
- "P" document published prior to the international filing date but later than the priority date claimed

- "T" later document published after the international filing date or priority date and not in conflict with the application but cited to understand the principle or theory underlying the invention
- "X" document of particular relevance; the claimed invention cannot be considered novel or cannot be considered to involve an inventive step when the document is taken alone
- "Y" document of particular relevance; the claimed invention cannot be considered to involve an inventive step when the document is combined with one or more other such documents, such combination being obvious to a person skilled in the art.
- "&" document member of the same patent family

Date of the actual completion of the international search

28 January 2000

Date of mailing of the international search report

04/02/2000

Name and mailing address of the ISA

European Patent Office, P.B. 5818 Patentlaan 2
 NL - 2280 HV Rijswijk
 Tel. (+31-70) 340-2040, Tx. 31 651 epo nl,
 Fax: (+31-70) 340-3016

Authorized officer

Neumann, E

INTERNATIONAL SEARCH REPORT

International Application No PCT/ZA 99/00104

C.(Continuation) DOCUMENTS CONSIDERED TO BE RELEVANT

Category	Citation of document, with indication, where appropriate, of the relevant passages	Relevant to claim No.
A	EP 0 650 703 A (ROBERT ANTOINE JEAN HENRI ;CORREIA LIMA SALVADOR VILAR (BR)) 3 May 1995 (1995-05-03) column 2, line 14 -column 3, line 12; figures ---	1-5, 9-11,13, 14,19, 20,40-42
A	US 5 078 676 A (BAILLY PIERRE) 7 January 1992 (1992-01-07) column 4, line 37 - line 53; figures column 6, line 63 -column 7, line 15 -----	1-5, 9-13,19, 20,40-42

INTERNATIONAL SEARCH REPORT

international application No.

PCT/ZA 99/00104

Box I Observations where certain claims were found unsearchable (Continuation of item 1 of first sheet)

This International Search Report has not been established in respect of certain claims under Article 17(2)(a) for the following reasons:

1. Claims Nos.: 21-39, 43-45
because they relate to subject matter not required to be searched by this Authority, namely:
Rule 39.1(iv) PCT - Method for treatment of the human or animal body
by surgery
2. Claims Nos.:
because they relate to parts of the International Application that do not comply with the prescribed requirements to such
an extent that no meaningful International Search can be carried out, specifically:
3. Claims Nos.:
because they are dependent claims and are not drafted in accordance with the second and third sentences of Rule 6.4(a).

Box II Observations where unity of invention is lacking (Continuation of item 2 of first sheet)

This International Searching Authority found multiple inventions in this international application, as follows:

1. As all required additional search fees were timely paid by the applicant, this International Search Report covers all
searchable claims.
2. As all searchable claims could be searched without effort justifying an additional fee, this Authority did not invite payment
of any additional fee.
3. As only some of the required additional search fees were timely paid by the applicant, this International Search Report
covers only those claims for which fees were paid, specifically claims Nos.:
4. No required additional search fees were timely paid by the applicant. Consequently, this International Search Report is
restricted to the invention first mentioned in the claims; it is covered by claims Nos.:

Remark on Protest

- The additional search fees were accompanied by the applicant's protest.
- No protest accompanied the payment of additional search fees.

INTERNATIONAL SEARCH REPORT

Information on patent family members

International Application No

PCT/ZA 99/00104

Patent document cited in search report	Publication date	Patent family member(s)	Publication date
WO 8502993 A	18-07-1985	US 4552128 A	12-11-1985
		US 4587954 A	13-05-1986
		AU 577823 B	06-10-1988
		AU 3789185 A	30-07-1985
		EP 0167602 A	15-01-1986
		IN 164154 A	21-01-1989
		JP 5021582 B	24-03-1993
		JP 61500830 T	01-05-1986
		ZA 8500009 A	27-11-1985
		CA 1232408 A	09-02-1988
		ES 539701 A	01-04-1986
		NZ 210804 A	29-05-1987
		US 4709690 A	01-12-1987
EP 0650703 A	03-05-1995	BR 9302774 A	14-02-1995
		JP 7171175 A	11-07-1995
US 5078676 A	07-01-1992	FR 2653993 A	10-05-1991
		DE 69002920 D	30-09-1993
		DE 69002920 T	05-01-1994
		EP 0426545 A	08-05-1991
		ES 2044493 T	01-01-1994
		JP 3158154 A	08-07-1991