

(19) World Intellectual Property Organization
International Bureau



(43) International Publication Date
15 December 2005 (15.12.2005)

PCT

(10) International Publication Number
WO 2005/117535 A3

(51) International Patent Classification:
E05B 65/00 (2006.01) *E05B 39/02* (2006.01)

SCHMUTZLER, Todd [US/US]; 1525 N. 290W, Angola, IN 46703 (US).

(21) International Application Number:
PCT/US2004/037838

(74) Agent: VAN DYKE, GARDNER, LINN & BURKHART, LLP; Timothy A. Flory, 2851 Charlevoix Drive, SE, P.O. Box 888695, Grand Rapids, MI 49588-8695 (US).

(22) International Filing Date:
12 November 2004 (12.11.2004)

(81) Designated States (unless otherwise indicated, for every kind of national protection available): AE, AG, AL, AM, AT, AU, AZ, BA, BB, BG, BR, BW, BY, BZ, CA, CH, CN, CO, CR, CU, CZ, DE, DK, DM, DZ, EC, EE, EG, ES, FI, GB, GD, GE, GH, GM, HR, HU, ID, IL, IN, IS, JP, KE, KG, KP, KR, KZ, LC, LK, LR, LS, LT, LU, LV, MA, MD, MG, MK, MN, MW, MX, MZ, NA, NI, NO, NZ, OM, PG, PH, PL, PT, RO, RU, SC, SD, SE, SG, SK, SL, SY, TJ, TM, TN, TR, TT, TZ, UA, UG, US, UZ, VC, VN, YU, ZA, ZM, ZW.

(25) Filing Language: English

(26) Publication Language: English

(30) Priority Data:
29/206,196 27 May 2004 (27.05.2004) US
60/521,745 29 June 2004 (29.06.2004) US

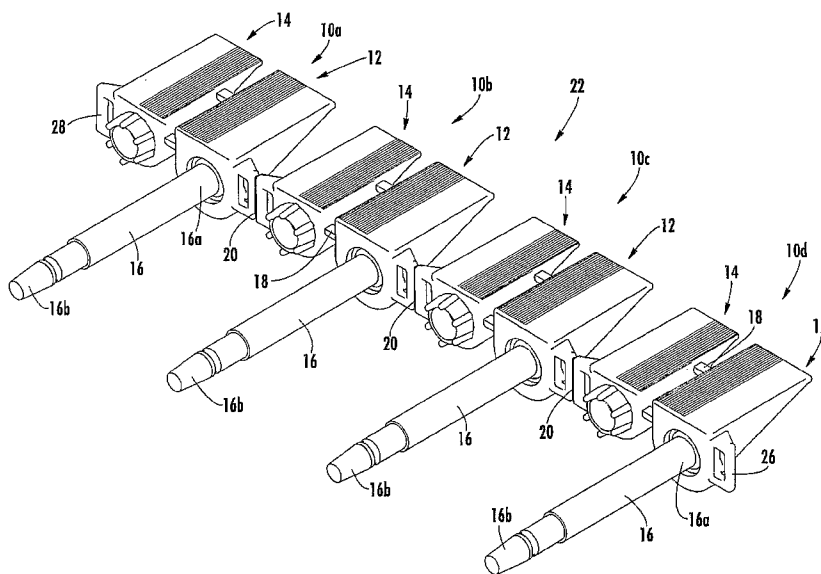
(71) Applicant (for all designated States except US): BRAMMALL, INC. [US/US]; 409 Hoosier Drive, Angola, IN 46703 (US).

(84) Designated States (unless otherwise indicated, for every kind of regional protection available): ARIPO (BW, GH, GM, KE, LS, MW, MZ, NA, SD, SL, SZ, TZ, UG, ZM, ZW), Eurasian (AM, AZ, BY, KG, KZ, MD, RU, TJ, TM), European (AT, BE, BG, CH, CY, CZ, DE, DK, EE, ES, FI, FR, GB, GR, HU, IE, IS, IT, LU, MC, NL, PL, PT, RO, SE, SI, SK, TR), OAPI (BF, BJ, CF, CG, CI, CM, GA, GN, GQ, GW, ML, MR, NE, SN, TD, TG).

(72) Inventors; and
(75) Inventors/Applicants (for US only): HAMILTON, Eric, K. [US/US]; 10421 White Cedar Road, Fort Wayne, IN 46814 (US). KROMKOWSKI, Joseph, S. [US/US]; 15283 Roscommon Lane, Granger, IN 46530 (US).

[Continued on next page]

(54) Title: LOCKING DEVICE



(57) Abstract: A locking device (10) includes a pair of end pieces (12, 14) and a locking member (16). One end piece (12) receives an end of the locking member, while the other end piece (14) is configured to receive the other end when the locking member is inserted through an object to lock the locking device to the object. The end pieces are formed together via a forming process, and are joined together via at least one frangible element or portion (18, 20) that is formed or molded during the forming process. The end pieces thus may be separated via breaking the frangible element or elements when it is desired to lock the locking device to an object. Multiple locking devices may be formed together and may be joined via frangible portions or elements such that a strip or series (22) of locking devices may be unitarily formed together.



WO 2005/117535 A3



Declarations under Rule 4.17:

- *as to applicant's entitlement to apply for and be granted a patent (Rule 4.17(ii))*
- *as to the applicant's entitlement to claim the priority of the earlier application (Rule 4.17(iii))*
- *of inventorship (Rule 4.17(iv))*

Published:

- *with international search report*
- *before the expiration of the time limit for amending the claims and to be republished in the event of receipt of amendments*

(88) Date of publication of the international search report:

2 October 2008

INTERNATIONAL SEARCH REPORT

International application No.

PCT/US 04/37838

A. CLASSIFICATION OF SUBJECT MATTER

IPC(8) - E05B 65/00, 39/02 (2008.04)

USPC - 70/91; 292/327

According to International Patent Classification (IPC) or to both national classification and IPC

B. FIELDS SEARCHED

Minimum documentation searched (classification system followed by classification symbols)

USPC: 70/91; 292/327

Documentation searched other than minimum documentation to the extent that such documents are included in the fields searched
USPC: 70/14, 33, 34, 91, 181-189; 292/86, 119, 156, 259R, 288, 307R, 317-321, 327, 340, DIG32; and search terms listed below.

Electronic data base consulted during the international search (name of data base and, where practicable, search terms used)
PubWest (PGPB,USPT,USOC,EPAB,JPAB; PLUR=YES; OP=ADJ); Google Scholar
Search terms: bolt, seal, cargo, rod, lock, locking, fastener, fastening, mold, molded, frangible, identification, id, indicia, tamper, tampering, sleeve, roughened, surface, barcode, security, strap, tab, cavity, connecting, joining, polymer, injection

C. DOCUMENTS CONSIDERED TO BE RELEVANT

Category*	Citation of document, with indication, where appropriate, of the relevant passages	Relevant to claim No.
X --- Y	US 5,125,700 A (FATTORI et al.) 30 June 1992 (30.06.1992), see Figs. 1-4, 11, 13, 22, 32; and col. 5, lines 37-39 and 58-60; col. 6, lines 3-8; col. 7, line 14 - col. 8, line 54.	1-6 and 9 ----- 7, 8, and 10-30
Y	US 5,228,617 A (McGRATH) 20 July 1993 (20.07.1993), see col. 3, line 62 - col. 4, line 2.	7 and 26
Y	US 2001/0004055 A1 (KUBOTA et al) 21 June 2001 (21.06.2001), see Figs. 1-6 and paragraphs [0051], [0070], and [0075].	8, 15-30
Y	US 6,265,973 B1 (BRAMMALL et al.) 24 July 2001 (24.07.2001), see Figs. 1a, 10, and 11 and col. 7, lines 4-12.	10 and 30
Y	US 5,219,194 A (TRENT et al.) 15 June 1993 (15.06.1993), see Fig. 5.	11, 27, and 28
Y	US 2003/0068213 A1 (JANISCH, Jr. et al.) 10 April 2003 (10.04.2003), see Fig. 5 and para. [0037].	12-20
Y	US 5,365,811 A (CHI) 22 November 1994 (22.11.1994), see Fig. 5 and col. 5, lines 48-60.	13, 14, and 18

Further documents are listed in the continuation of Box C.

* Special categories of cited documents:	"T" later document published after the international filing date or priority date and not in conflict with the application but cited to understand the principle or theory underlying the invention
"A" document defining the general state of the art which is not considered to be of particular relevance	"X" document of particular relevance; the claimed invention cannot be considered novel or cannot be considered to involve an inventive step when the document is taken alone
"E" earlier application or patent but published on or after the international filing date	"Y" document of particular relevance; the claimed invention cannot be considered to involve an inventive step when the document is combined with one or more other such documents, such combination being obvious to a person skilled in the art
"L" document which may throw doubts on priority claim(s) or which is cited to establish the publication date of another citation or other special reason (as specified)	"&" document member of the same patent family
"O" document referring to an oral disclosure, use, exhibition or other means	
"P" document published prior to the international filing date but later than the priority date claimed	

Date of the actual completion of the international search 09 July 2008 (09.07.2008)	Date of mailing of the international search report 18 JUL 2008
--	--

Name and mailing address of the ISA/US
Mail Stop PCT, Attn: ISA/US, Commissioner for Patents
P.O. Box 1450, Alexandria, Virginia 22313-1450
Facsimile No. 571-273-3201

Authorized officer:
Lee W. Young
PCT Helpdesk: 571-272-4300
PCT OSP: 571-272-7774