

(19) World Intellectual Property
Organization
International Bureau



(43) International Publication Date
21 April 2005 (21.04.2005)

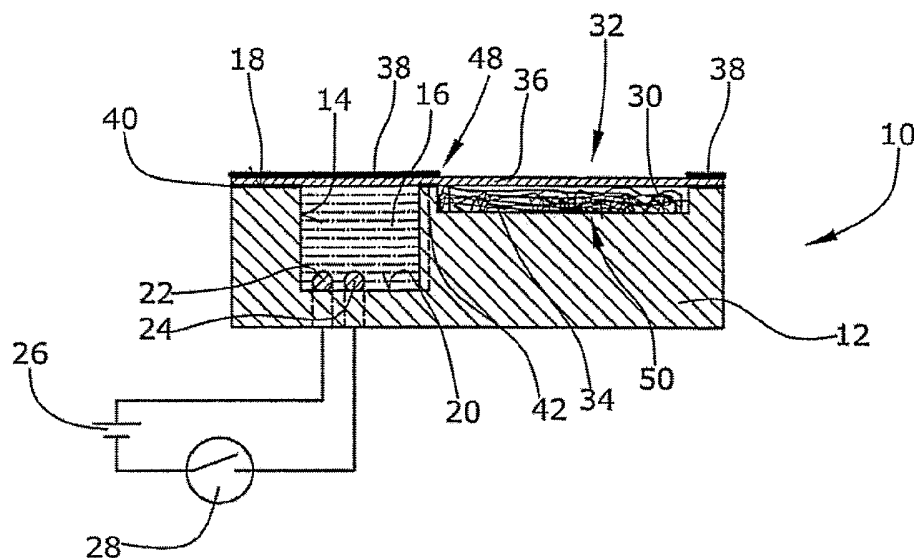
PCT

(10) International Publication Number
WO 2005/036234 A1

- (51) International Patent Classification⁷: **G02B 26/02**
- (21) International Application Number:
PCT/US2004/026500
- (22) International Filing Date: 13 August 2004 (13.08.2004)
- (25) Filing Language: English
- (26) Publication Language: English
- (30) Priority Data:
03021893.7 27 September 2003 (27.09.2003) EP
- (71) Applicant (for all designated States except US): **3M INNOVATIVE PROPERTIES COMPANY** [US/US]; 3M Center, Post Office Box 33427, Saint Paul, MN 55133-3427 (US).
- (72) Inventors; and
- (75) Inventors/Applicants (for US only): **SCHUMACHER, Knut** [DE/DE]; 3M Germany, Carl-Schurz-Strasse 1, 41453 Neuss (DE). **KUEPPER, Anton** [DE/DE]; 3M Germany, Carl-Schurz-Strasse 1, 41453 Neuss (DE). **SCHULZE, Gerhard, Friedrich, Walter** [DE/DE]; 3M Germany, Hansastrasse 9, 41453 Neuss (DE).
- (74) Agents: **FULTON, Lisa, P.** et al.; Office of Intellectual Property Counsel, Post Office Box 33427, Saint Paul, MN 55133-3427 (US).
- (81) Designated States (unless otherwise indicated, for every kind of national protection available): AE, AG, AL, AM, AT, AU, AZ, BA, BB, BG, BR, BW, BY, BZ, CA, CH, CN, CO, CR, CU, CZ, DE, DK, DM, DZ, EC, EE, EG, ES, FI, GB, GD, GE, GH, GM, HR, HU, ID, IL, IN, IS, JP, KE, KG, KP, KR, KZ, LC, LK, LR, LS, LT, LU, LV, MA, MD, MG, MK, MN, MW, MX, MZ, NA, NI, NO, NZ, OM, PG, PH, PL, PT, RO, RU, SC, SD, SE, SG, SK, SL, SY, TJ, TM, TN, TR, TT, TZ, UA, UG, US, UZ, VC, VN, YU, ZA, ZM, ZW.
- (84) Designated States (unless otherwise indicated, for every kind of regional protection available): ARIPO (BW, GH, GM, KE, LS, MW, MZ, NA, SD, SL, SZ, TZ, UG, ZM, ZW), Eurasian (AM, AZ, BY, KG, KZ, MD, RU, TJ, TM), European (AT, BE, BG, CH, CY, CZ, DE, DK, EE, ES, FI, FR, GB, GR, HU, IE, IT, LU, MC, NL, PL, PT, RO, SE, SI, SK, TR), OAPI (BF, BJ, CF, CG, CI, CM, GA, GN, GQ, GW, ML, MR, NE, SN, TD, TG).

[Continued on next page]

(54) Title: DISPLAY DEVICE FOR IRREVERSIBLY SWITCHING FROM A FIRST STATE TO A SECOND STATE



(57) Abstract: The display device (10) capable of irreversibly switching from a first indicating state to a second indicating state comprises a chamber (14) containing an electrolytic liquid (16) and having at least one exit opening (46), and at least two electrodes (22, 24) located in said chamber (14) and in contact with said electrolytic liquid (16) as well as subjectable to electric voltage, wherein, upon application of electric voltage of a predetermined level to said electrodes (22, 24), gas is generated in said chamber (14) causing the pressure within said chamber (14) to exceed a threshold value such that liquid (16) irreversibly exits said chamber (14) through said at least one exit opening (46) thereby switching from the first indicating state to the second indicating state.

WO 2005/036234 A1



Published:

— *with international search report*

For two-letter codes and other abbreviations, refer to the "Guidance Notes on Codes and Abbreviations" appearing at the beginning of each regular issue of the PCT Gazette.

**DISPLAY DEVICE FOR IRREVERSIBLY SWITCHING FROM A FIRST
INDICATING STATE
TO A SECOND INDICATING STATE**

5 BACKGROUND OF THE INVENTION

Field of the Invention

The present invention relates to a non-reversible display
10 device capable of irreversibly switching from a first
indicating state to a second indicating state.

Related Prior Art

15 Several indicating or displaying devices of different types
and technologies are known in the prior art. Among these
types of indicating or displaying devices there are
electrochrome display devices (see e.g. DE-A-25 45 391 and
DE-A-198 25 371), electroluminescent display devices (see
20 e.g. DE-A-100 42 500), and the widely spread LCD display
devices. Moreover, indicating devices are known in which the
change of an indicating state results from a chemically
induced change of colour (see e.g. EP-B-0 081 031 and DE-A-
44 43 470).

25 The problem with all of the above-identified types of
display devices is that maintaining one of the two
indicating states requires the provision of energy of a
power supply. As soon as power is no longer supplied (e.g.
30 due to an exhaust of the power supply like a battery or the
like) the display device automatically switches to the
indicating state which requires no power.

In US-A-4,156,559 as well as in DE-B-27 27 854 there is disclosed an electrolytic display cell comprising two parallel plates whereof one is covered by a semi-transparent electrode and whereof the other supports a counter-
5 electrode. Between the electrode and the counter-electrode an electrolyte is arranged containing a metallic salt dissolved in a solvent. The electrode and counter-electrode are connected to the positive and negative terminals of a d.c. voltage source via a switch permitting the connection
10 of each terminal to any one of the electrodes. Connecting the electrode of the electrolytic display device to the negative terminal of the d.c. voltage source results in an electrolytic deposition of the metallic salt of the electrolyte on the semi-transparent electrode resulting in a
15 change of its transmissivity defining a first indicating state. If the electrode is connected to the positive terminal of the d.c. voltage source, the metallic salt disposed on the semi-transparent electrode dissolves into the electrolyte. That means an indication on the known
20 electrolytic display device can be erased again which is a disadvantage if the switch can be operated inadvertently so that valuable information may get lost.

SUMMARY OF THE INVENTION

25 It is an object of the present invention to provide a non-reversible bistable display device which works reliably within a wide temperature range and with low activation energy consumption.

30 Another object of the present invention is to provide a non-reversible bistable display device which can be manufactured with low production costs.

According to the invention, a non-reversible bistable display device capable of irreversibly switching from a first indicating state to a second indicating state is provided, wherein the display device comprises

- a chamber containing an electrolytic liquid and having at least one exit opening, and
- at least two electrodes located in said chamber and in contact with said electrolytic liquid as well as subjectable to electric voltage,
- wherein, upon application of electric voltage of a predetermined level to said electrodes, gas is generated in said chamber causing the pressure within said chamber to exceed a threshold value such that liquid irreversibly exits said chamber through said at least one exit opening thereby switching from the first indicating state to the second indicating state.

The function of the display device according to the invention is based on the discharge of liquid through at least one exit opening of a chamber by increasing the pressure within the chamber to exceed a threshold value. A specific feature of the invention is that the increase of pressure results from the generation of gaseous components caused by an electrolysis performed within the chamber and initiated upon the application of electrical energy.

Accordingly, the chamber comprises an electrolytic liquid and at least two electrodes subjectable to electric voltage. When applying electric voltage to the at least two electrodes, current flows through the electrolytic liquid resulting in an electrolysis-generated gas. The electrolytic

liquid comprises conductivity modulators such as for example a salt or other materials basically known to the those skilled in the art. In particular, the electrolytic liquid can be ink having a sufficient electrical conductivity so as to function as a electrolyte.

An advantage of the display device according to the invention is the comparatively low energy consumption for activating the display device i.e. for discharging liquid out of the chamber thereby irreversibly switching from a first indicating state in which no liquid is discharged, to a second indicating state in which liquid is or has been discharged. Generating the gaseous components using an electrolysis process can already be initiated by the application of relatively low electrical voltage (e.g. in the range of up to about 5 V) and, accordingly, the electrical energy required is rather low. In particular, if the speed of switching from the first indicating state to the second indicating state is of less relevance, the electrolysis can take place over a time of several seconds which further reduces the electrical power required.

By way of experiments it was found out that for example a voltage of around 3V was sufficient when applied to a volume of 15 nanoliter of a aqueous solution containing a salt (e.g. NaCl) and conventional ink particles (e.g. as used in ink jet printers), causing a current of around 0.7 mA and a switching time of about 20 seconds for discharging electrolytic liquid out of the chamber.

Moreover, the design of the display device according to the invention need not be complex and, accordingly, its function and operation can be rather reliable also within a wide

temperature range because the electrolysis is relatively independent of the temperature of the electrolytic liquid.

Depending on the content of the chamber either the
5 electrolytic liquid or another indicating liquid can be discharged. In one embodiment of the present invention the chamber is completely filled with electrolytic liquid so that this liquid is discharged out of the at least one exit opening. In another embodiment of the present invention the
10 chamber is partially filled with electrolytic liquid within the area of the two electrodes, but within the area of the at least one exit opening is filled with another indicating liquid. If these two liquids are immisible, the two liquids directly can contact each other. As an alternative of such a
15 design, between both liquids there can be arranged a membrane or the like flexible separating film of wall dividing the chamber into two parts wherein in the one part the at least two electrodes and the electrolytic liquid are arranged and in the other part the at least one exit opening
20 and the indicating liquid are located.

Moreover, in another embodiment of the present invention, the discharged liquid is received by a receiving space which at least partially is visible from outside. The receiving
25 space can be open to the environment so that liquid can exit or the receiving space can be closed. In the latter case a venting opening for exiting gas from the receiving space to the environment when liquid enters the receiving space, can be arranged in the receiving space. However, a venting
30 opening is not necessary, because the gas contained in the receiving space can be compressed when the liquid enters the receiving space. Finally, the receiving space can have an expansion wall so that the receiving space can expand when

liquid enters. Also a receiving space can be used employing the mechanisms of venting and/or compression and/or expansion in combination.

5 In a preferred embodiment of the present invention a porous element is arranged within the receiving space for sucking-up the liquid discharged from the at least one exit opening and entering the receiving space. Preferably, the sucking-up of the liquid takes place by capillary forces generated
10 within the porous element. Most preferably the porous element is a fabric and in particular a non-woven fabric.

It is preferred to have the at least two electrodes and each of the exit openings be spaced from each other as far as
15 possible. By such a design, when gas is generated and the pressure is increased, during at least the first phase of the discharge process the gas pushes liquid out of the at least one exit opening, before perhaps the gas as such flows through the at least one exit opening.

20 Different shapes of the chamber between the at least two electrodes and the at least one exit opening are possible. For example the chamber can be designed like a channel comprising two opposite ends, the one end being provided
25 with the electrodes and the other end being provided with the at least one exit opening. Moreover, such a channel can be substantially straight or corrugated or spirally wound.

In another aspect of the present invention the at least one
30 exit opening comprises a means for preventing unintended exit of liquid. This means can be a capillary stop i.e. a narrowed area through which the liquid within the chamber will not exit due to surface tension phenomena. Moreover, a

capillary stop can be provided by a hydrophobic surface of the chamber within the area of the at least one exit opening. Suitable different designs of capillary stops are known to those skilled in the art of microfluidic systems.

5

According to another aspect of the present invention, the chamber of the display device comprises at least one weakened location which will break if the pressure within the chamber exceeds a threshold value. The broken weakened location provides an exit opening of the liquid.

10

One alternative for providing a weakened location is the formation of a thin portion within the wall of the chamber i.e. a hole in the chamber covered by a film which breaks when the pressure within the chamber exceeds a threshold value.

15

BRIEF DESCRIPTION OF THE DRAWINGS

20

The present invention will be described in more detail referring to specific embodiments as depicted in the drawing in which

25

Fig. 1 shows a cross-sectional view of a display device according to a first embodiment of the invention in its first indicating state,

30

Fig. 2 shows a top view of the display device of Fig. 1 with its cover removed,

Fig. 3 shows a cross-sectional view of the display device when liquid is transferred from one chamber to an adjacent

chamber switching from the first to the second indicating state,

5 Fig. 4 shows a top view of a display device with its cover removed, according to a second embodiment of the invention,

Fig. 5 shows a top view of a display device with its cover removed, according to a third embodiment of the invention,

10

Fig. 6 shows a cross-sectional view of a display device according to a fourth embodiment of the invention,

15 Fig. 7 shows a top view of a display device with its cover removed, according to a fifth embodiment of the invention, and

Fig. 8 shows a cross-sectional view of a display device according to a sixth embodiment of the invention.

20

DETAILED DESCRIPTION OF THE PREFERRED EMBODIMENTS

25 In the Figures different display devices according to the invention are shown wherein like parts of the individual embodiments are referred to by the same reference numerals.

The working principal of the invention will be explained hereinbelow referring to Figures 1 to 3 showing a first embodiment of a non-reversible bistable display device 10. 30 The display device 10 comprises a substrate 12 made of a non conductive material such as molded synthetic material, a foil, or glass. Most preferably the substrate 12 comprises an electrically insulating material. Within the substrate 12

there is provided a chamber 14 containing an electrolyte 16. As can be seen from Figures 1 and 3 the chamber 14 is open to the top side 18 of the substrate 12. Within the chamber 14 and preferably at the bottom 20 thereof, there are
5 arranged two electrodes 22,24 connected to a voltage source 26 via a switch 28.

Beside the chamber 14 within the top side 18 of the substrate 12 there is arranged another recess 30 filled with
10 a porous element 32 provided as a non-woven fabric 34. This non-woven fabric comprises synthetic fibers, for example fibres of polypropylene or polyethylene. However, other fibers are also possible. Also other porous elements 32 are possible like for example foamed elements. As described
15 below, the porous element 32 is selected to provide a structure that, by capillary action, is capable of sucking-up liquid from the chamber 14 and distributing it evenly within the recess 30.

20 Typically, the chamber 14 has a diameter of less than 10mm and the sides of the recess 30 have a length in the range of from about 5 to 12mm.

The top side 18 of the substrate 12 is covered by a film 36
25 covering the chamber 14 and the recess 30. The film 36 is transparent within its area covering the recess 30 and is opaque within its remaining area and, accordingly, in particular within the area covering the chamber 14. Within
its opaque areas the film 36 can be provided with a coating
30 38. The film 36 is mounted to the substrate 12 by means of an adhesive layer 40. The film 36 and adhesive layer 40 may, for example, be provided by a conventional transparent adhesive tape applied over the substrate 12.

The chamber 14 and the recess 30 are separated by a curved narrow edge 42 to which the film 36 is also adhered by the adhesive layer 40. If the pressure within the chamber 14 increases, the film 36 will be subjected to a peeling force around the edge of the recess 30. The peeling force will act preferentially at the edge 42 because of the curvature of the latter and, as soon as it exceeds the adhesive force between the film 36 and the adhesive layer 40 or between the edge 42 and the adhesive layer 40 at this point, the film 36 will peel away from the edge 42.

Fig. 1 shows the device 10 in its first indicating state in which the chamber 14 completely filled with electrolytic liquid 16 is closed by the film 36. In Fig. 3 the situation is shown in which the display device 10 is in its second indicating state which will be explained now.

In order to transfer the device 10 from its first indicating state of Fig. 1 to its second indicating state of Fig. 3, an operating voltage is applied to the electrodes 22 and 24 by closing the switch 28. Since the electrolytic liquid 16 is electrically conductive, a current is flowing there through. The flow of current through the electrolytic liquid 16 results in an electrolysis which in turn generates gas bubbles 44. The generation of gas of O_2 and H is a normal process in the electrolysis. These gaseous components increases the pressure within the chamber 14. As a result thereof, the force acting on the film 36 at its interface to the edge 42 decreases the adhesive force therebetween so that the film 36 pops up to a little extent providing an exit opening 46 for the chamber 14. In other words the edge 42 together with the film 36 provides a weakened location 48

which breaks when the pressure in the chamber 14 exceeds a threshold value. Due to the narrow design of the edge 42 the film 36 will release within the area of the edge 42 and not within another area of the top side 18 of the substrate 12.

5 It is possible that several small passages over the edge 42, i.e. several exit openings 46 are provided upon the increase of the pressure within the chamber 14.

10 As a result of the formation of the exit opening 46, liquid 16 from the chamber 14 exits into the recess 30 which functions as a receiving space 50 for the liquid 16. Liquid 16 entering the non-woven fabric 34 will be sucked thereby so that the fabric 34 is filled with the liquid 16. In case of a coloured liquid 16 i.e. an electrolytic ink, the non-
15 woven fabric 34 will change its colour when soaked with the ink, thereby making visible the switching from the first indicating state in which the non-woven fabric 34 has the colour of the fibers thereof, to the second indicating state in which the non-woven fabric 34 is coloured by the ink.

20

Several different designs of the electrodes 22,24, the edge 42 separating the chamber 14 from the receiving space 50 and the arrangement of these two chambers are shown in Figures 4 to 9.

25

In particular, the embodiment 60 of Fig. 4 is provided with a substrate 12 manufactured in molded interconnect device (MID) technique. This technique is known to those skilled in the art for forming three dimensional printed circuit
30 boards. The electrodes 22,24 can be formed as electrically conductive traces along the top surface 18 of the substrate 12 and down into the chamber 14. As in Figures 1 to 3, the edge 42 between the chamber 14 and the receiving space 50

(recess 30) at the top side 18 of the substrate 12 is curved towards the chamber 14 resulting in a concentration of the forces for releasing the film 36 from the edge 42.

5 In Fig. 5 an embodiment of a display device 70 is shown in which an annular channel 72 is arranged around the chamber 14 wherein the annular channel 72 is in fluid communication with the receiving space 50. The edge 42 between the chamber 14 and the receiving space 50 is annular. Due to the
10 surrounding channel 72 irrespective of where the film 36 will release from the edge 42, liquid 16 from the chamber 14 via the channel 72 will be received by the receiving space 50. The substrate 12 of the display device 70 is again made in MID-technique.

15

In Fig. 6 a display device 80 is shown which, adjacent the edge 42, is provided with a channel 82 leading to the receiving space 50. The benefit of this design is that through the channel 82 which is dimensioned accordingly,
20 liquid 16 can flow due to capillary forces. This supports the exit of liquid 16 from the chamber 14 even if the film 36 is merely slightly separated from the edge 42.

Fig. 7 shows a design of a device 90 wherein the receiving
25 space 50 is arranged as an annular space surrounding the chamber 14. Also the edge 42 separating the chamber 14 from the receiving space 50 is annular.

In Fig. 8 another design of a display device 100 is shown.
30 The chamber 14 of this device 100 is in the form of a straight channel with two opposite ends wherein the electrodes 22, 24 are arranged near one end and the exit opening 46 is arranged at the other end. Distancing the

electrodes 22, 24 from the exit opening 46 in this way can be useful in certain circumstances in preventing gas bubbles generated during electrolysis in the liquid 16 from entering the receiving space 50. If it is required to increase the
5 length of the channel-shaped chamber 14, it may be necessary to use a channel that follows a corrugated or a spiral path (rather than a straight path) to avoid an undesirable increase in the length of the device 100.

10 The exit opening 46 of the chamber 14 of device 100 is designed such that liquid 16 of the chamber 14 does not exit there through under normal pressure conditions. In other words the exit opening 46 forms a capillary stop preventing
15 liquid 16 from flowing out of the chamber 14. The capillary stop function can be overcome in the device 100 upon the increase of the pressure within the chamber 14 when the electrolysis takes place. In this case, liquid 16 is discharged through the exit opening 46 into the adjacent receiving space 50.

20 In connection with Fig. 8 another alternative of the present invention will be described which alternative can also be used in the embodiments of Figures 1 to 7.

25 As can be seen in Fig. 8, the chamber 14 is filled with two different liquids 16 and 102. Liquid 16 which is in contact with the electrodes 22 and 24 is an electrolyte as described above. The other liquid 102 is not necessarily an
30 electrolyte and is located within that part of the volume of the chamber 14 which is located between the electrolyte 16 and the exit opening 46. Increasing the pressure of the electrolyte 16 due to electrolysis, will result in a force

acting on the volume of liquid 102 causing liquid 102 to exit from the chamber 14 into the receiving space 50.

5 The interface between both liquids 16 and 102 is referred to in Fig. 8 by 104. These two liquids can contact each other directly if the liquids are not immisible. In order to guarantee no mixing-up of the two liquids, at the interface 104 thereof a flexible membrane (not shown) can be arranged.

10 Although the invention has been described and illustrated with reference to specific illustrative embodiments thereof, it is not intended that the invention be limited to those illustrative embodiments. Those skilled in the art will
15 recognise that variations and modifications can be made without departing from the true scope of the invention as defined by the claims that follow. It is therefore intended to include within the invention all such variations and modifications as fall within the scope of the appended claims and equivalents thereof.

20

CLAIMS

1. Display device capable of irreversibly switching from a first indicating state to a second indicating state, the display device comprising:
 - a chamber (14) containing an electrolytic liquid (16) and having at least one exit opening (46), and
 - at least two electrodes (22,24) located in said chamber (14) and in contact with said electrolytic liquid (16) as well as subjectable to electric voltage,
 - wherein, upon application of electric voltage of a predetermined level to said electrodes (22,24), gas is generated in said chamber (14) causing the pressure within said chamber (14) to exceed a threshold value such that liquid irreversibly exits said chamber (14) through said at least one exit opening (46) thereby switching from the first indicating state to the second indicating state.

2. Display device according to claim 1, further comprising a receiving space (50) for receiving liquid (16) exiting said chamber (14) through said at least one exit opening (46) when the pressure therein exceeds the threshold value.

3. Display device according to claim 2, further comprising a porous element (32) arranged within said receiving space (50) and for sucking-up liquid (16) entering said receiving space (50) from the chamber (14).

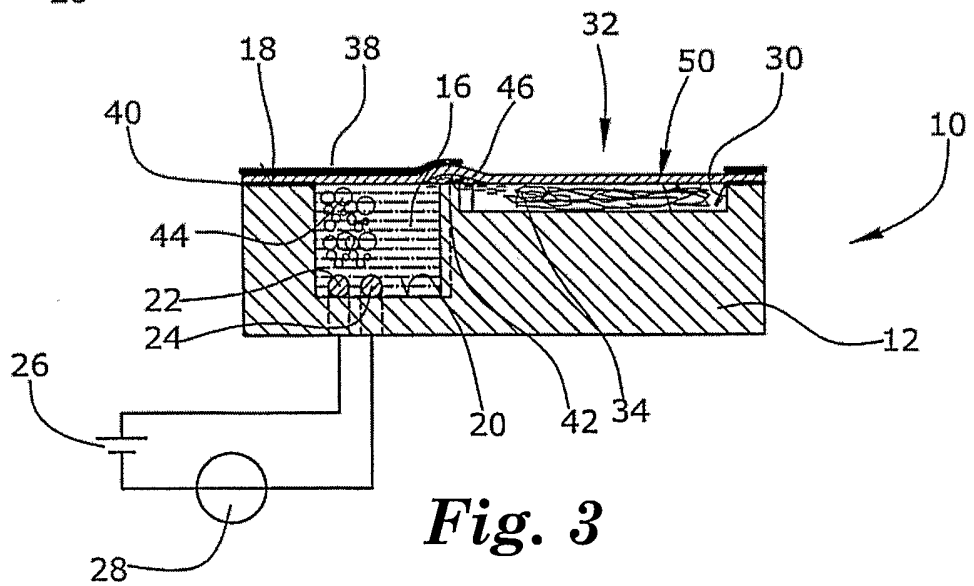
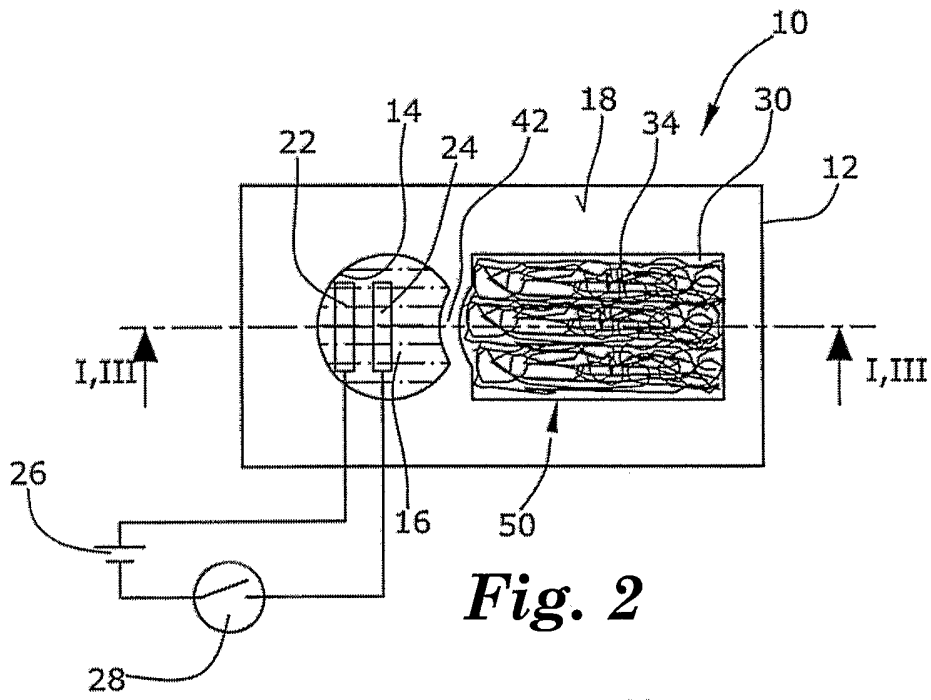
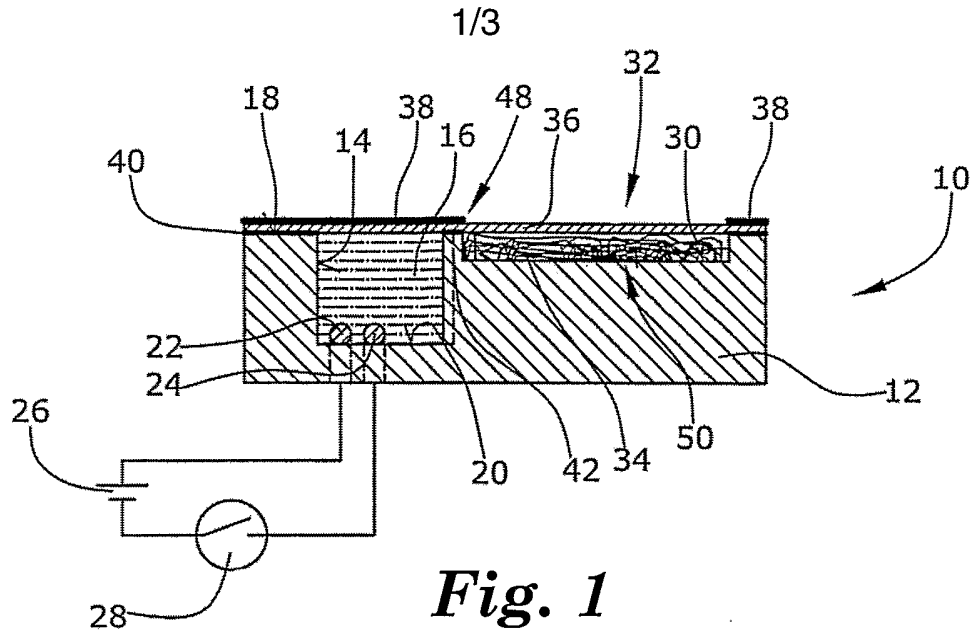
4. Display device according to claim 3, wherein said porous element (32) is a fabric, in particular a nonwoven fabric (34).
5. Display device according to any one of claims 1 to 4, wherein said electrodes (22,24) and said at least one exit opening (46) of said chamber (14) are spaced apart from each other, preferably as far as possible.
6. Display device according to any one of claims 1 to 5, wherein said chamber (14) is shaped like a channel comprising two opposite ends spaced apart from each other and wherein said electrodes (22,24) are arranged near the one end and said at least one exit opening (46) is arranged near the other end of said channel.
7. Display device according to claim 6, wherein the channel substantially is straight.
8. Display device according to any one of claims 1 to 7, wherein the chamber is closed and wherein a weakened location (48) is arranged in a wall of said chamber (14), said weakened location (48) being capable of breaking if the pressure within said chamber (14) exceeds said threshold value.
9. Display device according to claim 8, wherein said weakened location (48) is formed by a thinner portion of the wall of said closed chamber (14).
10. Display device according to any one of claims 1 to 7, further comprising a substrate (12), a recess formed within an outer surface (18) of said substrate (12), and

a covering layer (36) covering said recess and attached to said outer surface of said substrate by a bonding material (40) to form said closed chamber (14), said weakened location (48) being formed by a narrowed region (42) in the area in which said covering layer (36) is adhered to said outer surface (18) of said substrate (12).

11. Display device according to claim 10, wherein said recess at least partially is surrounded by an edge (42) forming the narrowed region.
12. Display device according to claim 11, wherein said edge (42) is curved.
13. Display device according to any one of claims 10 to 12, wherein said substrate (12) comprises another recess (30) adjacent said edge (42) and forming said receiving space (50).
14. Display device according to claim 12, wherein the covering layer (36) covers both recesses (50).
15. Display device according to any one of claims 11 to 13, wherein said edge (42) extends along a circle and wherein said receiving space (50) extends around said edge (42).
16. Display device according to any one of claims 1 to 7, wherein a capillary stop is arranged in said at least one exit opening (46).
17. Display device according to any one of claims 1 to 16, wherein said chamber (14) is filled with said

electrolytic liquid (16) up to said at least one exit opening (46) and wherein electrolytic liquid (16) exits through said at least one exit opening (46) when the pressure within said chamber (14) exceeds the threshold value.

18. Display device according to any one of claims 1 to 16, wherein within said chamber (14) between said electrolytic liquid (16) and said at least one exit opening (46) there is arranged an indicating liquid (102) exiting through said at least one exit opening (46) when the pressure within said chamber (14) exceeds the threshold value.
19. Display device according to claim 18, wherein said indicating liquid (102) is immisible with the electrolytic liquid (16).
20. Display device according to claim 18 or 19, wherein said indicating liquid (102) and said electrolytic liquid (16) are separated by a flexible membrane.
21. Display device according to any one of claims 1 to 20, wherein said liquid (16) exiting through said at least one exit opening (46) when the pressure within said chamber (14) exceeds the threshold value is coloured.



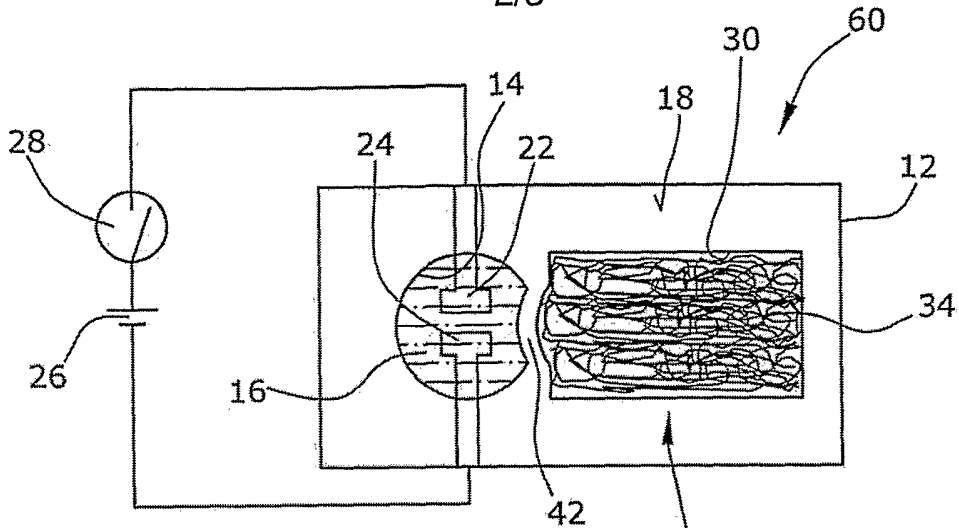


Fig. 4

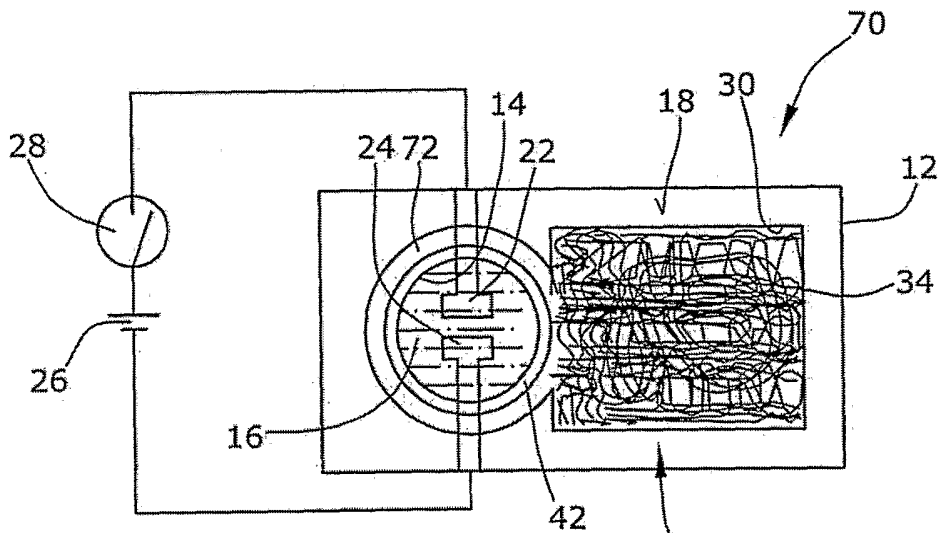


Fig. 5

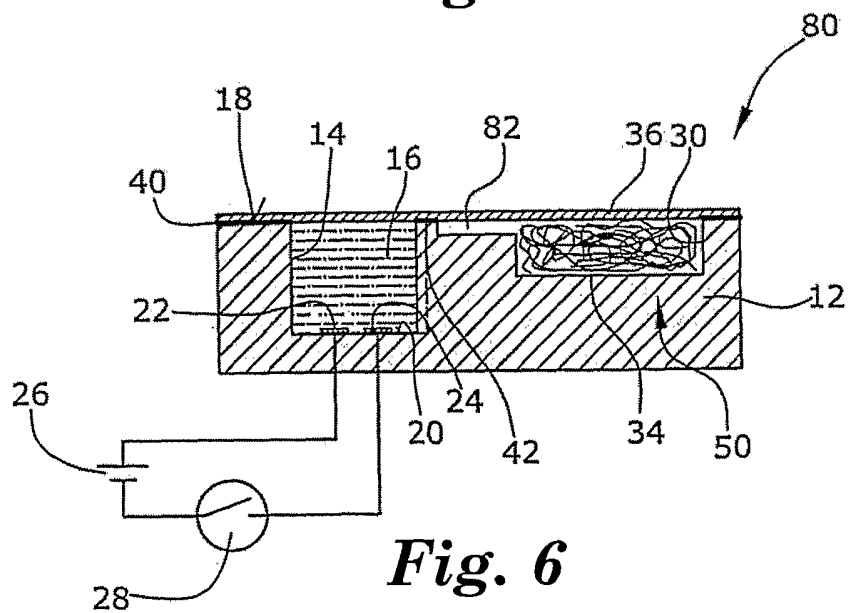


Fig. 6

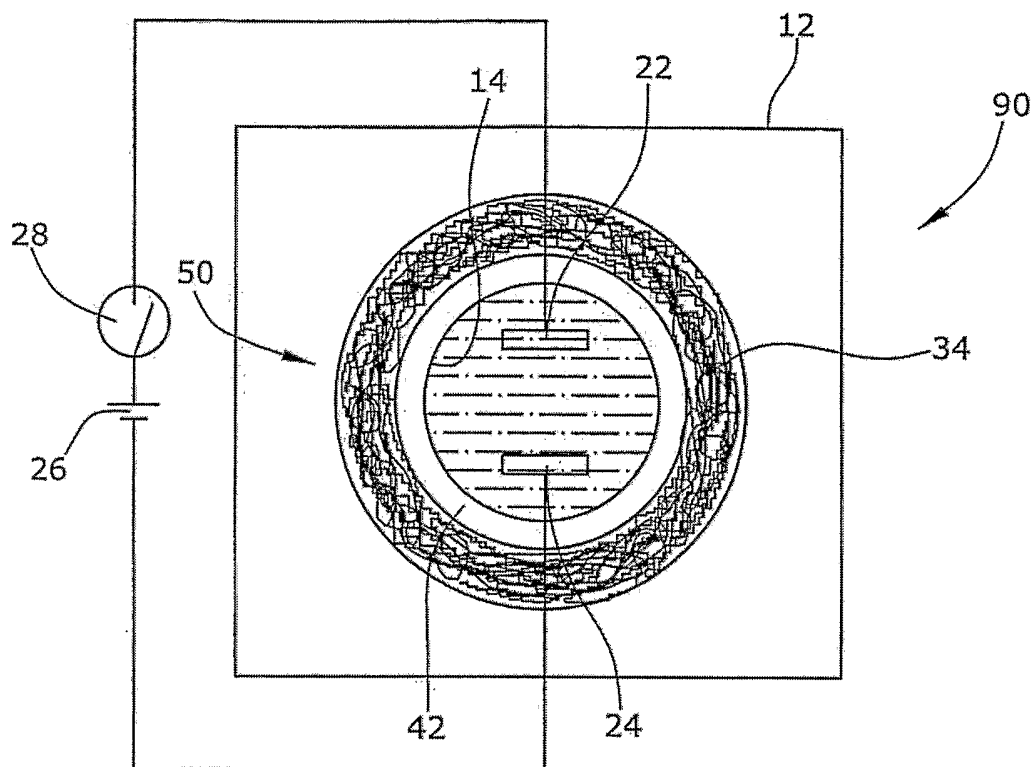


Fig. 7

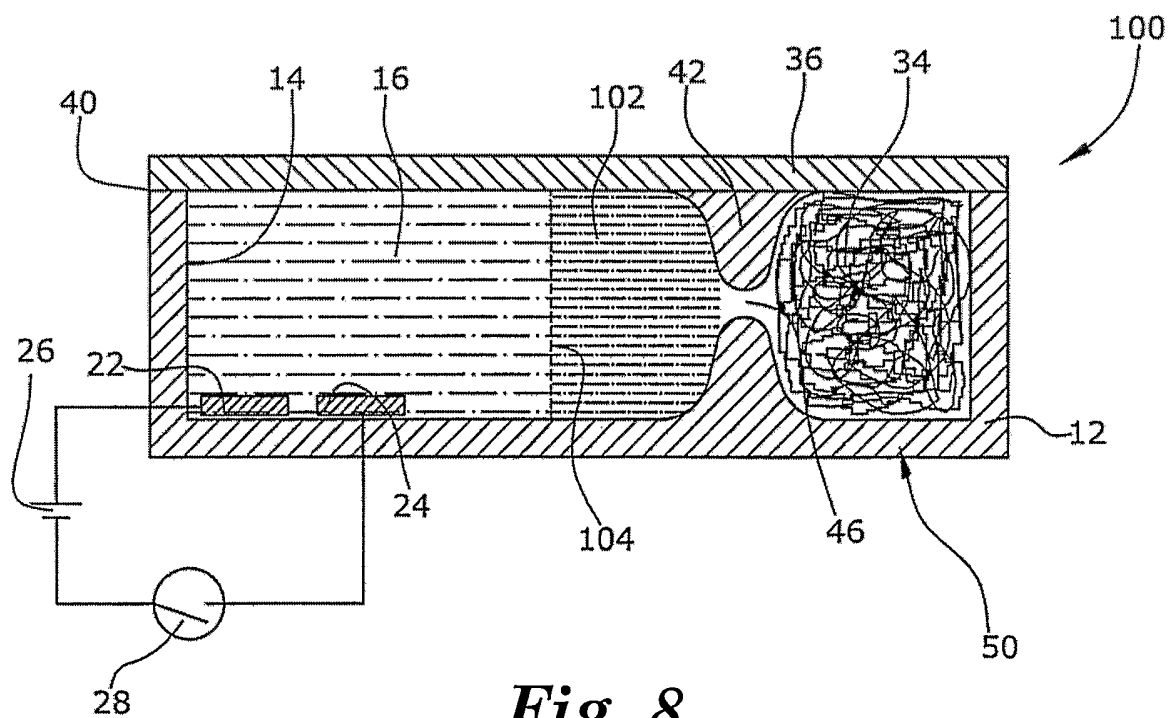


Fig. 8

INTERNATIONAL SEARCH REPORT

International Application No
PCT/US2004/026500

A. CLASSIFICATION OF SUBJECT MATTER IPC 7 G02B26/02		
According to International Patent Classification (IPC) or to both national classification and IPC		
B. FIELDS SEARCHED		
Minimum documentation searched (classification system followed by classification symbols) IPC 7 G02B		
Documentation searched other than minimum documentation to the extent that such documents are included in the fields searched		
Electronic data base consulted during the international search (name of data base and, where practical, search terms used) EPO-Internal		
C. DOCUMENTS CONSIDERED TO BE RELEVANT		
Category °	Citation of document, with indication, where appropriate, of the relevant passages	Relevant to claim No.
X	US 4 988 157 A (JACKEL JANET L ET AL) 29 January 1991 (1991-01-29) abstract; figures 11,12 column 2, line 53 - line 55 column 6, line 5 - line 17 column 7, line 3 - line 13 column 8, line 25 - line 63 -----	1,2,5-7, 16,17
A	US 4 583 824 A (LEA MICHAEL C) 22 April 1986 (1986-04-22) the whole document -----	1-21
A	US 5 978 527 A (DONALD DAVID K) 2 November 1999 (1999-11-02) the whole document -----	1-21
A	EP 1 306 704 A (AGILENT TECHNOLOGIES INC) 2 May 2003 (2003-05-02) the whole document -----	1-21
<input type="checkbox"/> Further documents are listed in the continuation of box C.		
<input checked="" type="checkbox"/> Patent family members are listed in annex.		
° Special categories of cited documents :		
A document defining the general state of the art which is not considered to be of particular relevance *E* earlier document but published on or after the International filing date *L* document which may throw doubts on priority claim(s) or which is cited to establish the publication date of another citation or other special reason (as specified) *O* document referring to an oral disclosure, use, exhibition or other means *P* document published prior to the international filing date but later than the priority date claimed		*T* later document published after the international filing date or priority date and not in conflict with the application but cited to understand the principle or theory underlying the invention *X* document of particular relevance; the claimed invention cannot be considered novel or cannot be considered to involve an inventive step when the document is taken alone *Y* document of particular relevance; the claimed invention cannot be considered to involve an inventive step when the document is combined with one or more other such documents, such combination being obvious to a person skilled in the art. *&* document member of the same patent family
Date of the actual completion of the international search <p style="text-align: center;">17 November 2004</p>		Date of mailing of the international search report <p style="text-align: center;">25/11/2004</p>
Name and mailing address of the ISA European Patent Office, P.B. 5818 Patentlaan 2 NL - 2280 HV Rijswijk Tel. (+31-70) 340-2040, Tx. 31 651 epo nl, Fax: (+31-70) 340-3016		Authorized officer <p style="text-align: center;">Daffner, M</p>

INTERNATIONAL SEARCH REPORT

Information on patent family members

International Application No PCT/US2004/026500

Patent document cited in search report	A	Publication date	Patent family member(s)	Publication date
US 4988157	A	29-01-1991	NONE	
US 4583824	A	22-04-1986	NONE	
US 5978527	A	02-11-1999	US 5828799 A US 6212308 B1	27-10-1998 03-04-2001
EP 1306704	A	02-05-2003	US 2003077023 A1 EP 1306704 A1 JP 2003215479 A	24-04-2003 02-05-2003 30-07-2003