



US00D994470S

(12) **United States Design Patent**
Tao

(10) **Patent No.:** **US D994,470 S**

(45) **Date of Patent:** **** Aug. 8, 2023**

(54) **D-RING TIE DOWN ANCHOR**

(71) Applicant: **QINGDAO HUILISHENG**
HARDWARE PRODUCTS CO., LTD,
Shangdong (CN)

(72) Inventor: **Xiaoqing Tao**, Pingdu (CN)

(73) Assignee: **QINGDAO HUILISHENG**
HARDWARE PRODUCTS CO., LTD,
Qingdao (CN)

(**) Term: **15 Years**

(21) Appl. No.: **29/867,829**

(22) Filed: **Nov. 9, 2022**

(30) **Foreign Application Priority Data**

Oct. 13, 2022 (CN) 202230676016.X

(51) **LOC (14) Cl.** **08-11**

(52) **U.S. Cl.**
USPC **D8/367; D8/356**

(58) **Field of Classification Search**
USPC D8/367, 354, 349, 373, 356; D6/323;
248/301-304, 339; D12/215, 162, 416;
D25/199

CPC A47G 1/00; E04G 21/3276
See application file for complete search history.

(56) **References Cited**

U.S. PATENT DOCUMENTS

5,011,106 A * 4/1991 Cody E04G 21/3276
248/237
5,054,576 A * 10/1991 Glynn E04G 21/3276
248/237
D329,196 S * 9/1992 Schor D8/356
5,603,187 A * 2/1997 Merrin F24S 25/61
52/90.2

5,687,535 A * 11/1997 Rohlf E04D 13/12
52/27
D401,542 S * 11/1998 Lindenman D12/162
6,065,917 A 5/2000 Shambeau et al.
7,163,083 B2 * 1/2007 Argoud E04G 21/3261
248/237
D565,206 S * 3/2008 Nelson D25/199
D658,975 S * 5/2012 Cordova D8/367
D658,976 S * 5/2012 Morrow, Jr. D8/367
8,651,784 B2 2/2014 Grasso
9,010,487 B2 * 4/2015 Cruz E04G 21/3276
182/3
D769,701 S * 10/2016 Dunkinson D8/367
D772,040 S * 11/2016 Grant D8/367
D795,683 S * 8/2017 Malin D8/394
D845,206 S * 4/2019 Lavoie D12/215
D874,586 S * 2/2020 Bartolotta D21/694
D937,660 S * 12/2021 Marsden A47B 95/008
D8/330
D971,713 S * 12/2022 Huang D12/162
D977,377 S * 2/2023 Tao D12/162
D980,700 S * 3/2023 Lynn D8/367

(Continued)

Primary Examiner — Cynthia R Underwood

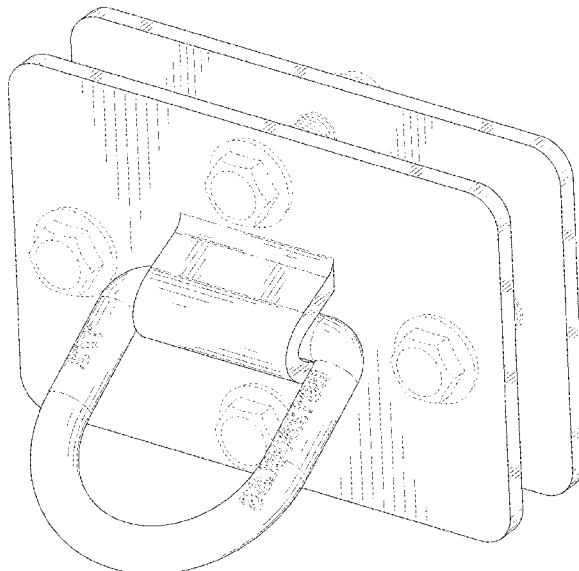
(57) **CLAIM**

The ornamental design for a D-ring tie down anchor, as shown and described.

DESCRIPTION

FIG. 1 is a perspective view of a D-ring tie down anchor showing my new design;
FIG. 2 is a rear perspective view thereof;
FIG. 3 is a front view thereof;
FIG. 4 is a rear view thereof;
FIG. 5 is a left side view thereof;
FIG. 6 is a right side view thereof;
FIG. 7 is a top view thereof; and,
FIG. 8 is a bottom view thereof.
The broken lines depict portions of the D-ring tie down anchor that form no part of the claimed design.

1 Claim, 8 Drawing Sheets



(56)

References Cited

U.S. PATENT DOCUMENTS

2020/0369196	A1	11/2020	Mckimson et al.	
2022/0072349	A1*	3/2022	Nichols	E04G 21/3214
2022/0180015	A9*	6/2022	Fugallo, III	H04L 67/10
2022/0332157	A1*	10/2022	Barrios Albert	B60D 1/565
2023/0078073	A1*	3/2023	Øllgaard	B25B 13/18

* cited by examiner

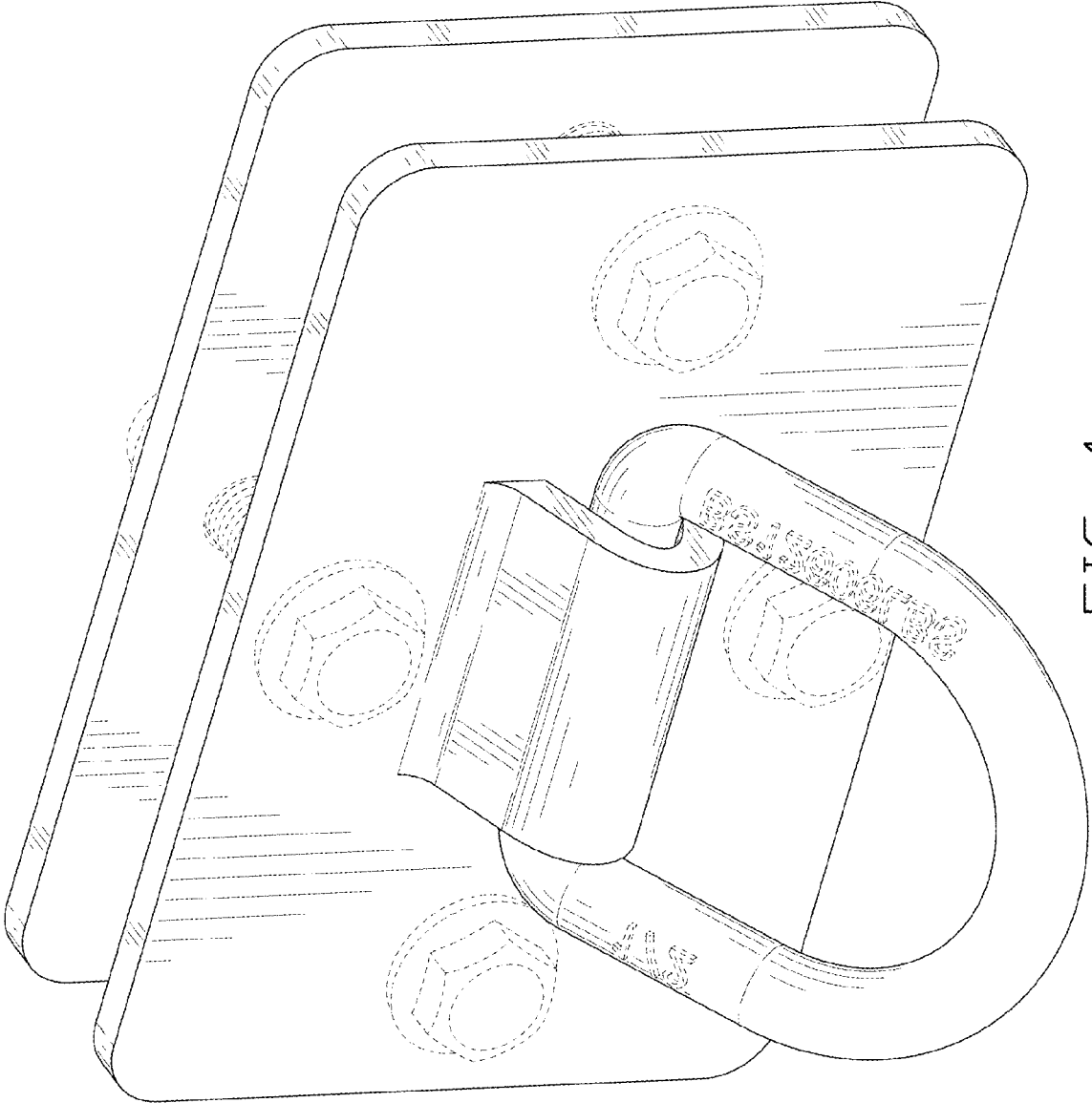


FIG. 1

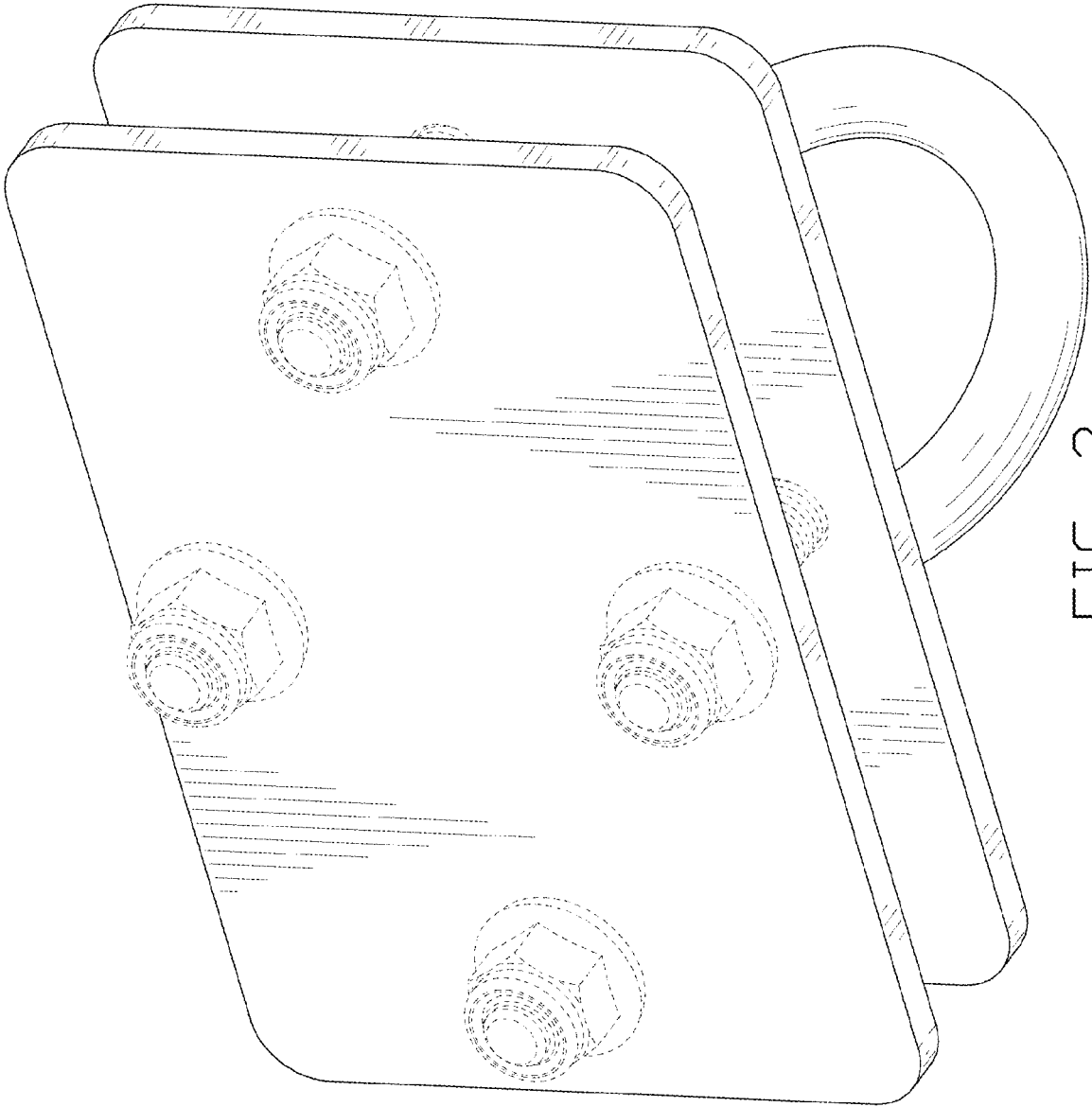


FIG. 2

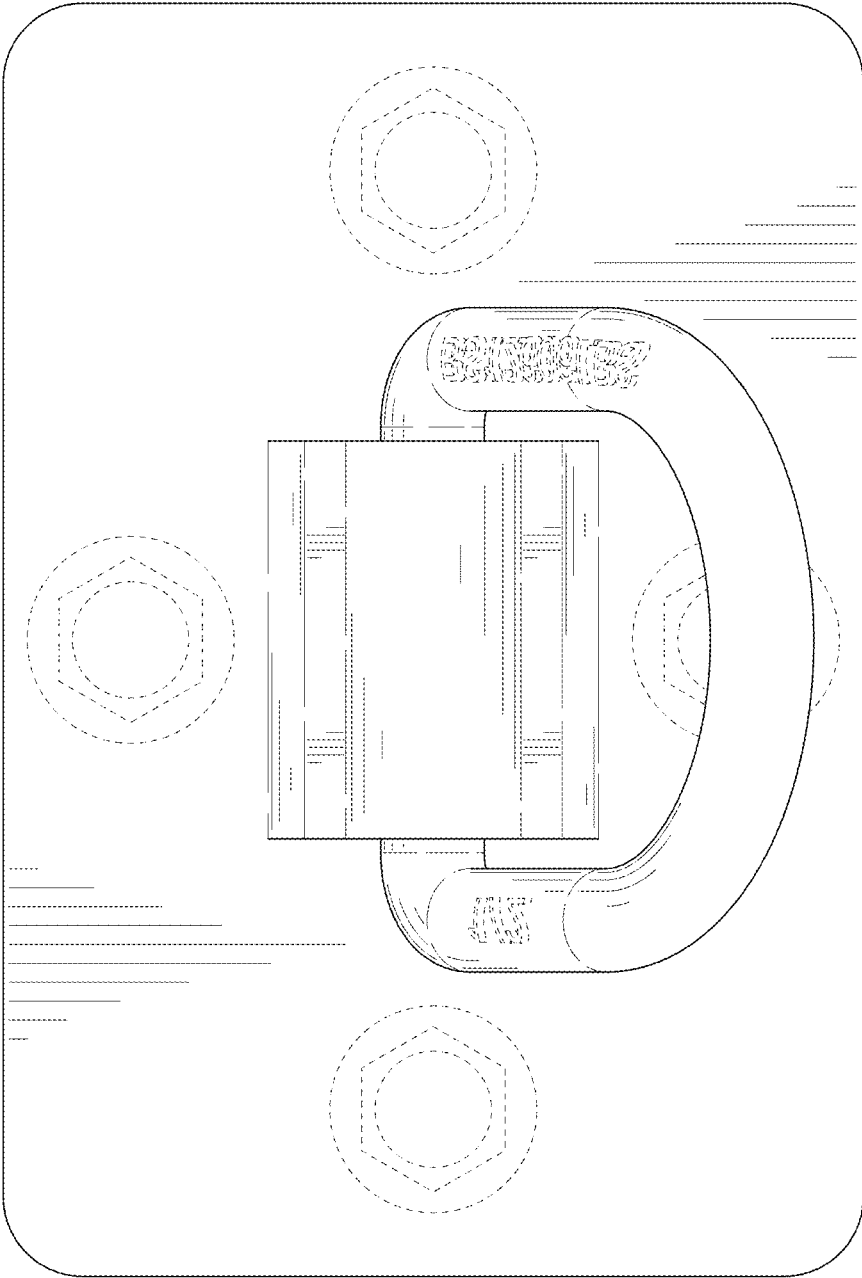


FIG. 3

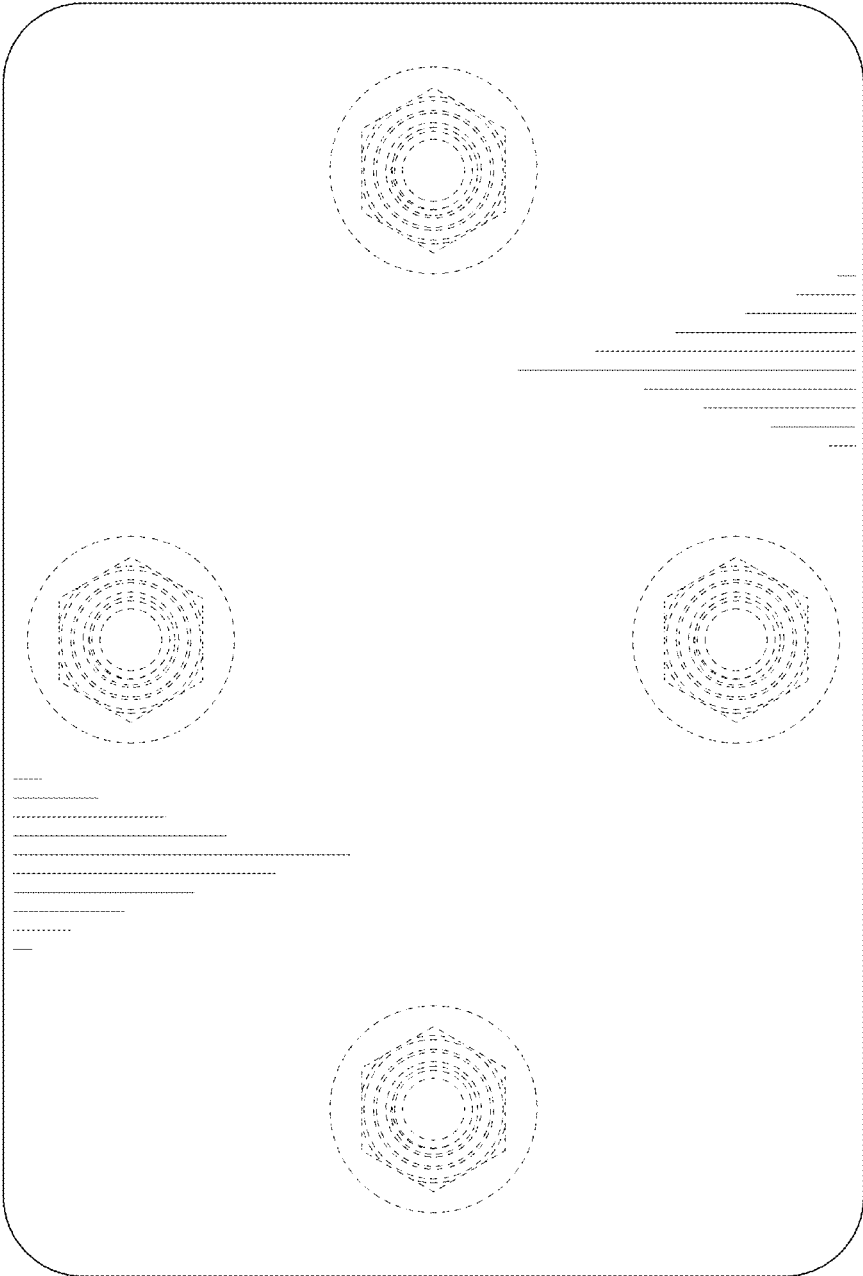


FIG. 4

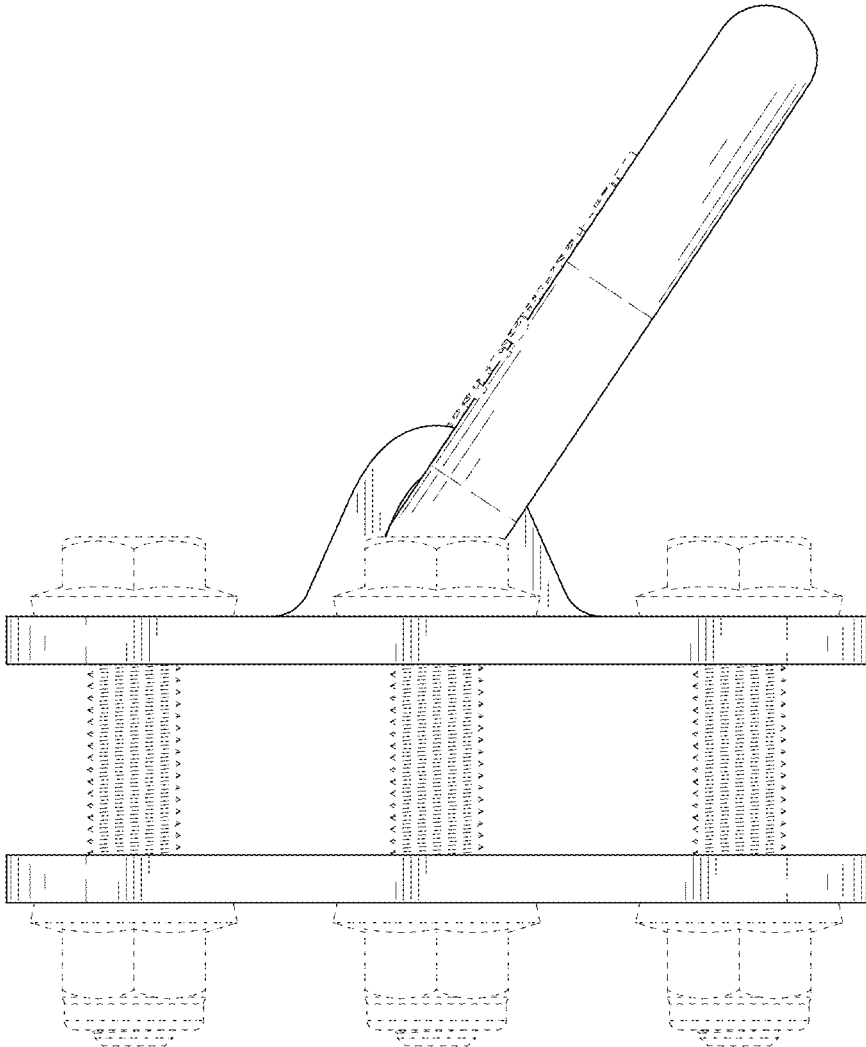


FIG. 5

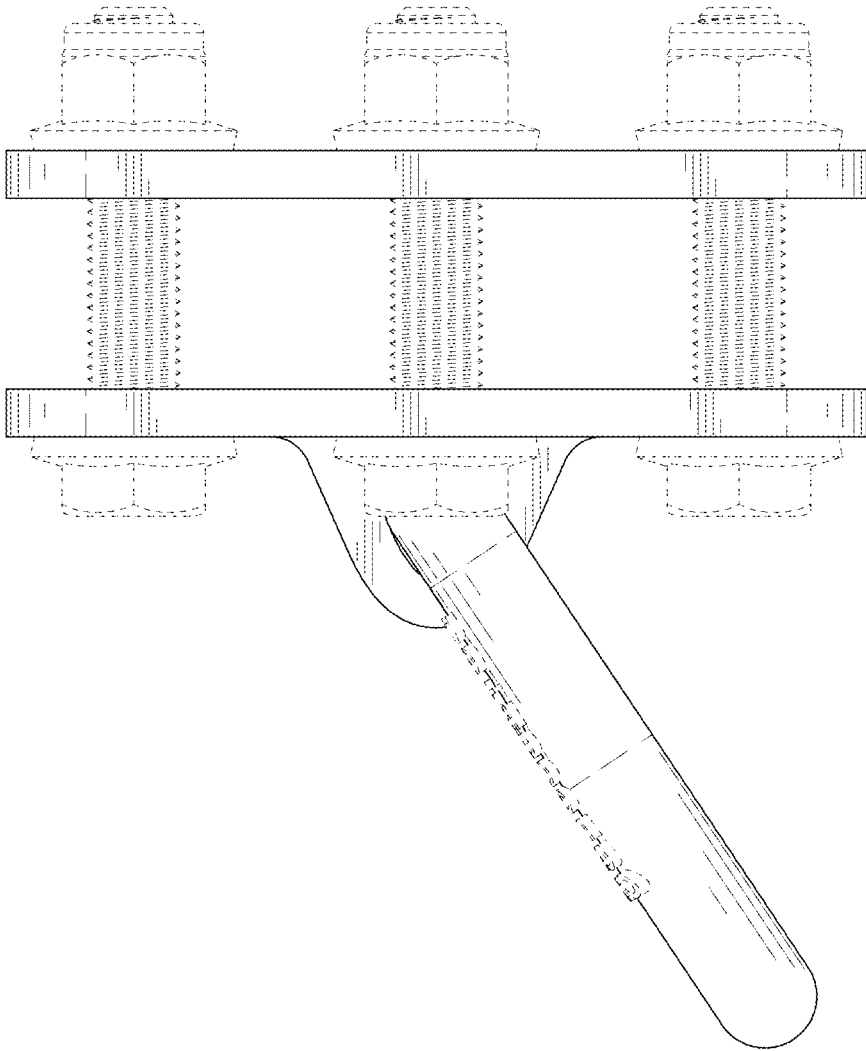


FIG. 6

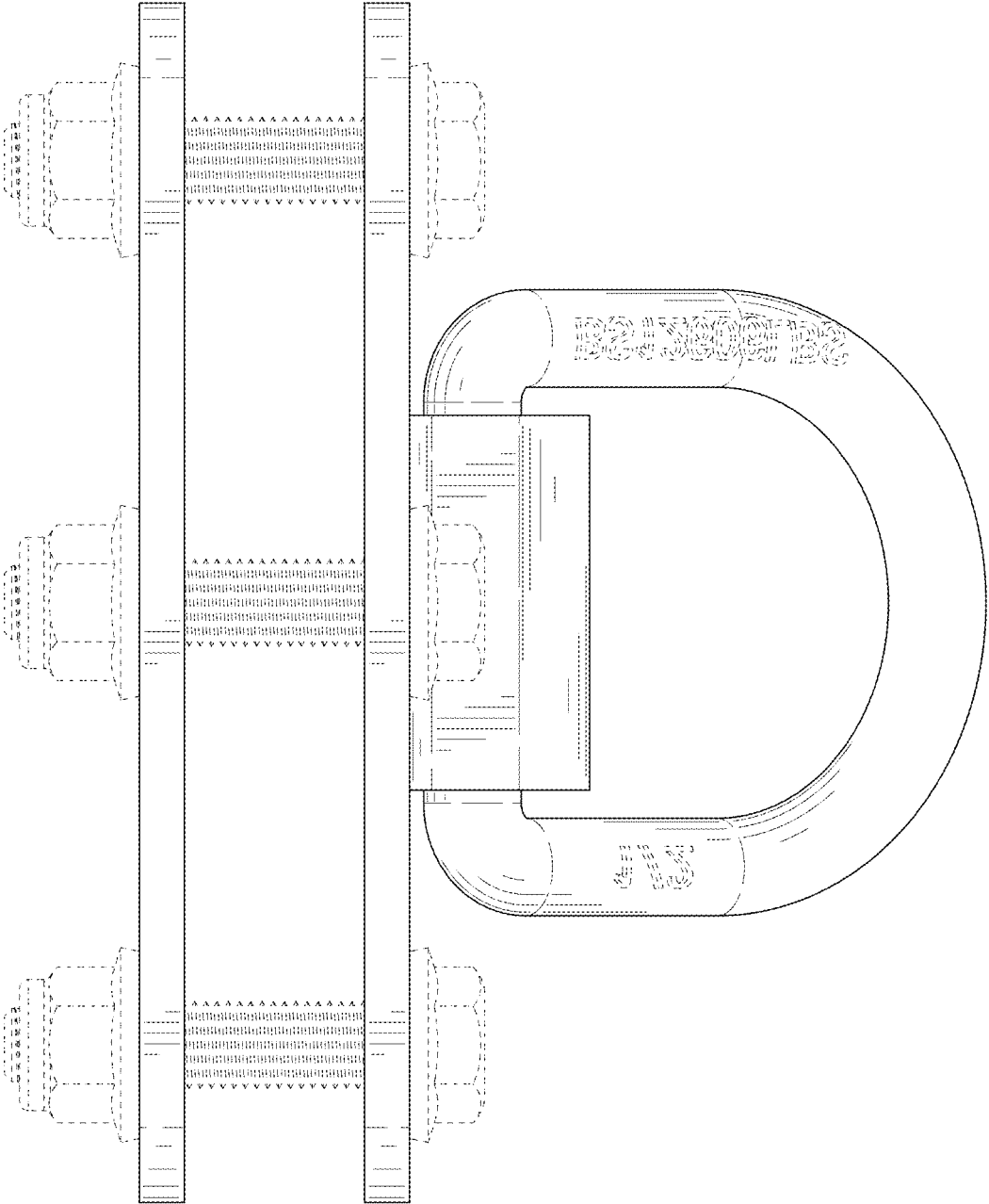


FIG. 7

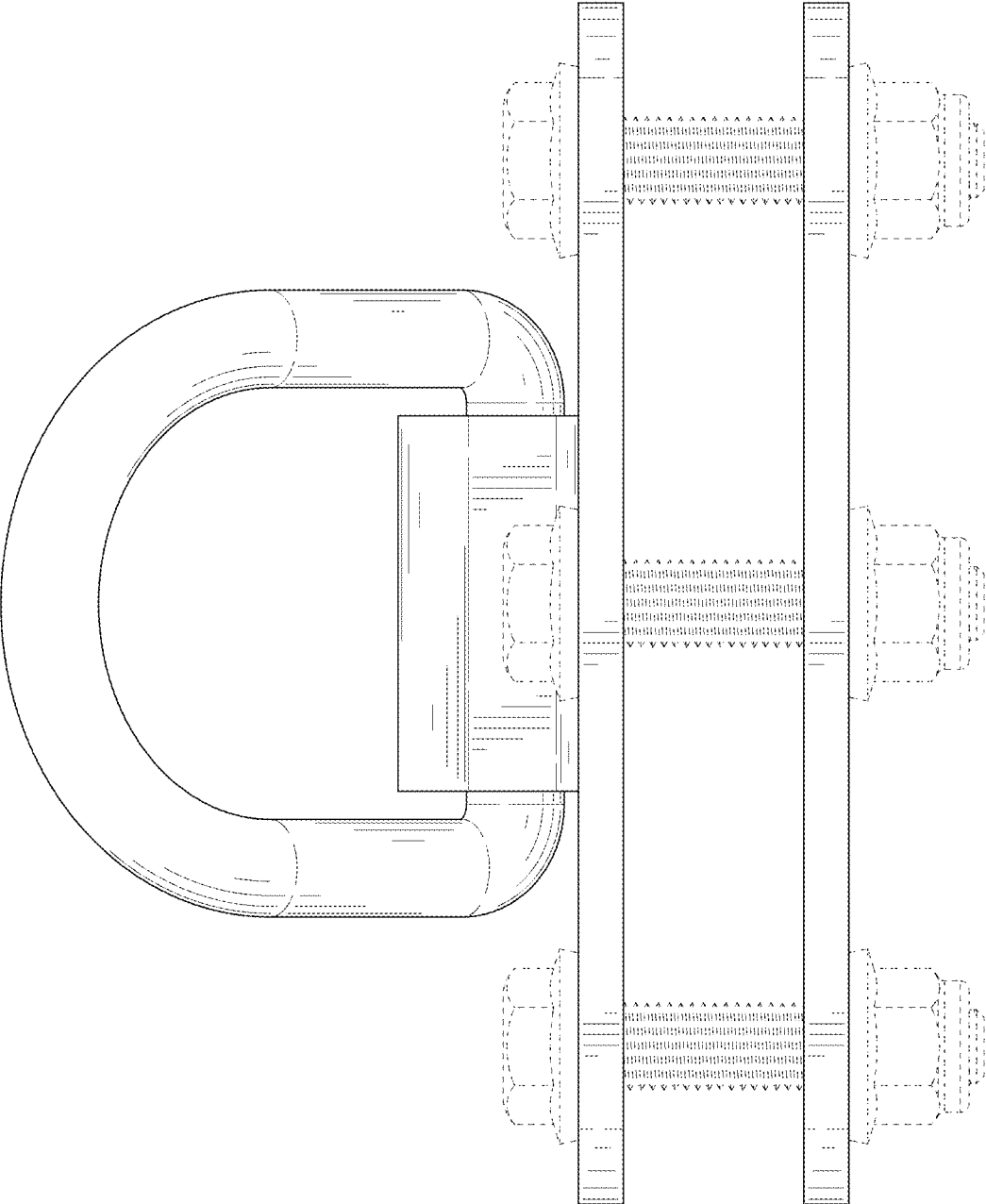


FIG. 8