

(19) World Intellectual Property  
Organization  
International Bureau



(43) International Publication Date  
23 October 2003 (23.10.2003)

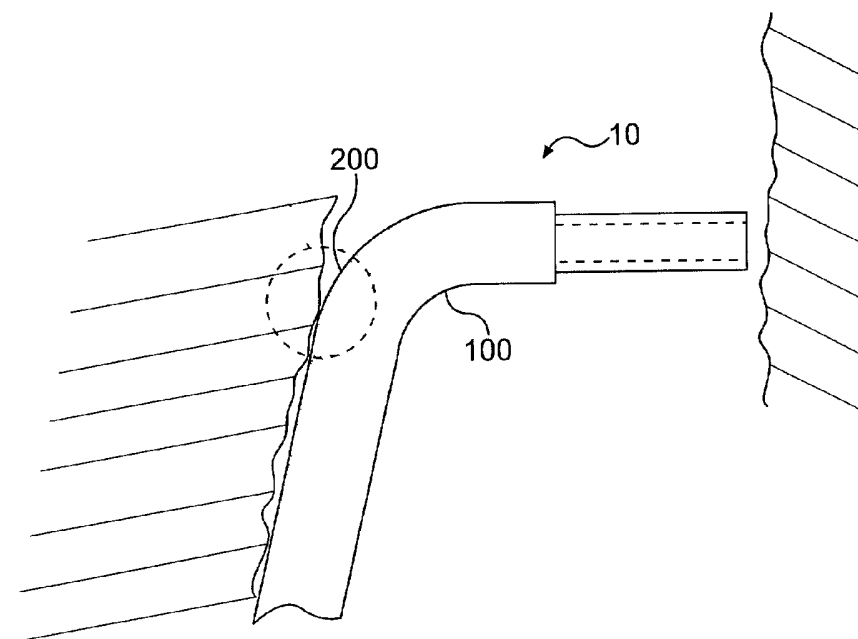
PCT

(10) International Publication Number  
WO 2003/086501 A3

- (51) International Patent Classification<sup>7</sup>: A61M 5/32
- (21) International Application Number: PCT/US2003/011149
- (22) International Filing Date: 11 April 2003 (11.04.2003)
- (25) Filing Language: English
- (26) Publication Language: English
- (30) Priority Data:  
60/371,432 11 April 2002 (11.04.2002) US
- (71) Applicant: EVA CORPORATION [US/US]; c/o Hugh H. Trout, III, M.D., 8218 Wisconsin Avenue, Suite 204, Bethesda, MD 20814 (US).
- (72) Inventors: TROUT, Hugh, H., III; 8218 Wisconsin Avenue, Suite 204, Bethesda, MD 20814 (US). PATTERSON, Frank; 18 Juniper Ridge Road, Exeter, NH 03833 (US).
- (74) Agents: COULBY, John, N. et al.; Collier Shannon Scott, PLLC, 3050 K Street, N.W., Suite 400, Washington, DC 20007 (US).
- (81) Designated States (*national*): AE, AG, AL, AM, AT, AU, AZ, BA, BB, BG, BR, BY, BZ, CA, CH, CN, CO, CR, CU, CZ, DE, DK, DM, DZ, EC, EE, ES, FI, GB, GD, GE, GH, GM, HR, HU, ID, IL, IN, IS, JP, KE, KG, KP, KR, KZ, LC, LK, LR, LS, LT, LU, LV, MA, MD, MG, MK, MN, MW, MX, MZ, NO, NZ, OM, PH, PL, PT, RO, RU, SC, SD, SE, SG, SK, SL, TJ, TM, TN, TR, TT, TZ, UA, UG, UZ, VC, VN, YU, ZA, ZM, ZW.
- (84) Designated States (*regional*): ARIPO patent (GH, GM, KE, LS, MW, MZ, SD, SL, SZ, TZ, UG, ZM, ZW), Eurasian patent (AM, AZ, BY, KG, KZ, MD, RU, TJ, TM), European patent (AT, BE, BG, CH, CY, CZ, DE, DK, EE, ES, FI, FR, GB, GR, HU, IE, IT, LU, MC, NL, PT, RO, SE, SI, SK, TR), OAPI patent (BF, BJ, CF, CG, CI, CM, GA, GN, GQ, GW, ML, MR, NE, SN, TD, TG).
- Published:  
— with international search report

[Continued on next page]

(54) Title: STABILIZING SURGICAL DELIVERY APPARATUS AND METHOD OF USE



(57) Abstract: An embodiment of the present invention relates to an apparatus and method for stabilizing a catheter during a surgical procedure. In particular, an embodiment of the present invention relates to a stabilizing surgical delivery apparatus (100) that comprises a catheter (100) and a plurality of micro-barbs (200) located on an external surface of the catheter (100), wherein the micro-barbs (200) are minimally exposed when the catheter (100) is in a linear position and fully exposed when the catheter (100) is in an articulated, non-linear position. The micro-barbs (200) contact or may become embedded in an endoluminal surface opposite the surgical site to provide stabilization to the catheter (100) during the surgical procedure.

WO 2003/086501 A3



---

**(88) Date of publication of the international search report:**

24 June 2004

*For two-letter codes and other abbreviations, refer to the "Guidance Notes on Codes and Abbreviations" appearing at the beginning of each regular issue of the PCT Gazette.*

**INTERNATIONAL SEARCH REPORT**

International application No.

PCT/US03/11149

**A. CLASSIFICATION OF SUBJECT MATTER**

IPC(7) : A61M 5/32  
 US CL : 604/174

According to International Patent Classification (IPC) or to both national classification and IPC

**B. FIELDS SEARCHED**

Minimum documentation searched (classification system followed by classification symbols)  
 U.S. : Please See Continuation Sheet

Documentation searched other than minimum documentation to the extent that such documents are included in the fields searched

Electronic data base consulted during the international search (name of data base and, where practicable, search terms used)  
 ESAT(anchor anchoring stabilizer stabilize, barbs microbarbs, hooks, spines, quills, protrusions, ridges, burrs, catheter)

**C. DOCUMENTS CONSIDERED TO BE RELEVANT**

| Category * | Citation of document, with indication, where appropriate, of the relevant passages | Relevant to claim No. |
|------------|--|-----------------------|
| A, E       | US 6,589,213 B2 (REYDEL) 8 July 2003, Figures 5-7                                  | 1, 2, 4, 6-9, 18      |

Further documents are listed in the continuation of Box C.  See patent family annex.

|   |  |
|---|--|
| * Special categories of cited documents:  | "T" later document published after the international filing date or priority date and not in conflict with the application but cited to understand the principle or theory underlying the invention  |
| "A" document defining the general state of the art which is not considered to be of particular relevance  | "X" document of particular relevance; the claimed invention cannot be considered novel or cannot be considered to involve an inventive step when the document is taken alone   |
| "E" earlier application or patent published on or after the international filing date   | "Y" document of particular relevance; the claimed invention cannot be considered to involve an inventive step when the document is combined with one or more other such documents, such combination being obvious to a person skilled in the art |
| "L" document which may throw doubts on priority claim(s) or which is cited to establish the publication date of another citation or other special reason (as specified) | "&" document member of the same patent family  |
| "O" document referring to an oral disclosure, use, exhibition or other means  |  |
| "P" document published prior to the international filing date but later than the priority date claimed  |  |

|  |  |
|--|--|
| Date of the actual completion of the international search<br>20 February 2004 (20.02.2004) | Date of mailing of the international search report<br><b>12 MAR 2004</b> |
|--|--|

|   |  |
|---|--|
| Name and mailing address of the ISA/US<br>Mail Stop PCT, Attn: ISA/US<br>Commissioner for Patents<br>P.O. Box 1450<br>Alexandria, Virginia 22313-1450<br>Facsimile No. (703) 305-3230 | Authorized officer<br><i>C. L. Rodriguez</i><br>Telephone No. (703) 308-2194 |
|---|--|

**INTERNATIONAL SEARCH REPORT**

PCT/US03/11149

**Continuation of B. FIELDS SEARCHED Item 1:**

604/174, 93.01, 104, 175, 264, 523, 539, 500, 508, 513-517, 540, 541, 543, 544; 606/108, 191-194, 197; 623/1.15, 23.64-23.66, 23.7, 23.74, 23.72, 1.11