



US00D904591S

(12) **United States Design Patent**
Wang

(10) **Patent No.:** **US D904,591 S**
(45) **Date of Patent:** **** Dec. 8, 2020**

- (54) **CABINET AIR CONDITIONER**
- (71) Applicants: **GD MIDEA AIR-CONDITIONING EQUIPMENT CO., LTD.**, Foshan (CN); **MIDEA GROUP CO., LTD.**, Foshan (CN)
- (72) Inventor: **Hailu Wang**, Foshan (CN)
- (73) Assignees: **GD MIDEA AIR-CONDITIONING EQUIPMENT CO., LTD.**, Foshan (CN); **MIDEA GROUP CO., LTD.**, Foshan (CN)

| | | | | | | |
|----------|---|---|---------|-------|-------|---------|
| D689,994 | S | * | 9/2013 | Jun | | D23/351 |
| D701,596 | S | * | 3/2014 | Yoo | | D23/351 |
| D708,724 | S | * | 7/2014 | Yoo | | D23/351 |
| D717,419 | S | * | 11/2014 | Choi | | D23/351 |
| D777,892 | S | * | 1/2017 | Bu | | D23/351 |
| D778,416 | S | * | 2/2017 | Bu | | D23/351 |
| D797,268 | S | * | 9/2017 | Park | | D23/351 |
| D799,656 | S | * | 10/2017 | Park | | D23/351 |
| D819,189 | S | * | 5/2018 | Chen | | D23/332 |
| D840,525 | S | * | 2/2019 | Park | | D23/351 |
| D840,526 | S | * | 2/2019 | Park | | D23/351 |
| D884,858 | S | * | 5/2020 | Zhang | | D23/333 |
| D892,287 | S | * | 8/2020 | Park | | D23/351 |

* cited by examiner

Primary Examiner — Natasha Vujcic
(74) *Attorney, Agent, or Firm* — Anova Law Group PLLC

- (**) Term: **15 Years**
- (21) Appl. No.: **29/694,250**
- (22) Filed: **Jun. 10, 2019**

(57) **CLAIM**

The ornamental design of a cabinet air conditioner, as shown and described.

(30) **Foreign Application Priority Data**

Feb. 19, 2019 (CN) 2019 3 0067849

- (51) **LOC (12) Cl.** **23-04**
- (52) **U.S. Cl.**
USPC **D23/351**

- (58) **Field of Classification Search**
USPC D23/333, 351–354, 388
CPC F24F 1/00; F24F 1/0007; F24F 1/02; F24F 1/08; F24F 1/42; F24F 1/56; F24F 1/60; F24F 3/044; F24F 3/048; F24F 3/16; G05D 23/1905; G05D 23/1932; G05D 23/1902; G05D 23/1931; G05B 19/0426; G05B 19/409; G05B 15/02

See application file for complete search history.

(56) **References Cited**

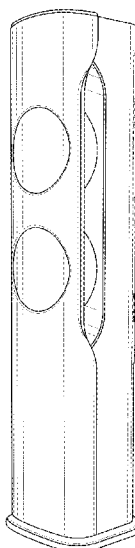
U.S. PATENT DOCUMENTS

| | | | | | | |
|----------|---|---|--------|------|-------|---------|
| D468,414 | S | * | 1/2003 | Fok | | D23/328 |
| D683,005 | S | * | 5/2013 | Park | | D23/351 |
| D689,993 | S | * | 9/2013 | Yoon | | D23/351 |

DESCRIPTION

FIG. 1 is a perspective view of a cabinet air conditioner, showing my new design;
 FIG. 2 is a top plan view thereof;
 FIG. 3 is a bottom plan view thereof.
 FIG. 4 is a front elevation view thereof;
 FIG. 5 is a rear elevation view thereof;
 FIG. 6 is a left side elevation view thereof;
 FIG. 7 is a right side elevation view thereof;
 FIG. 8 is a perspective view thereof in a use configuration; and,
 FIG. 9 is a ride side elevation view thereof in the use configuration of FIG. 8.
 The broken lines immediately adjacent the shaded area represent the bounds of the claimed design while all other broken lines illustrate portions of the cabinet air conditioner which form no part of the claimed design.

1 Claim, 5 Drawing Sheets



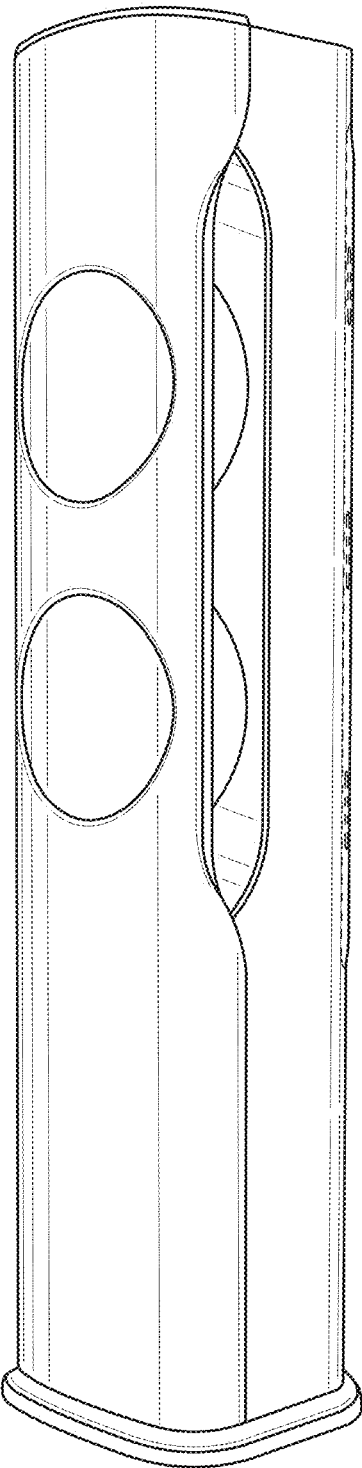


FIG. 1

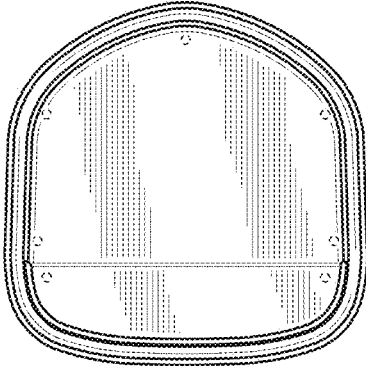


FIG. 2

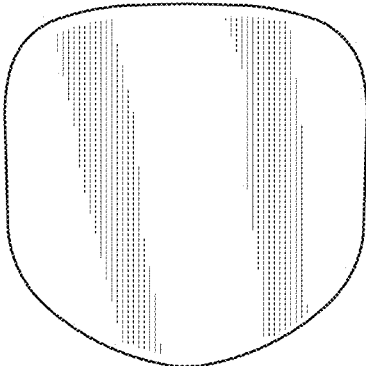


FIG. 3

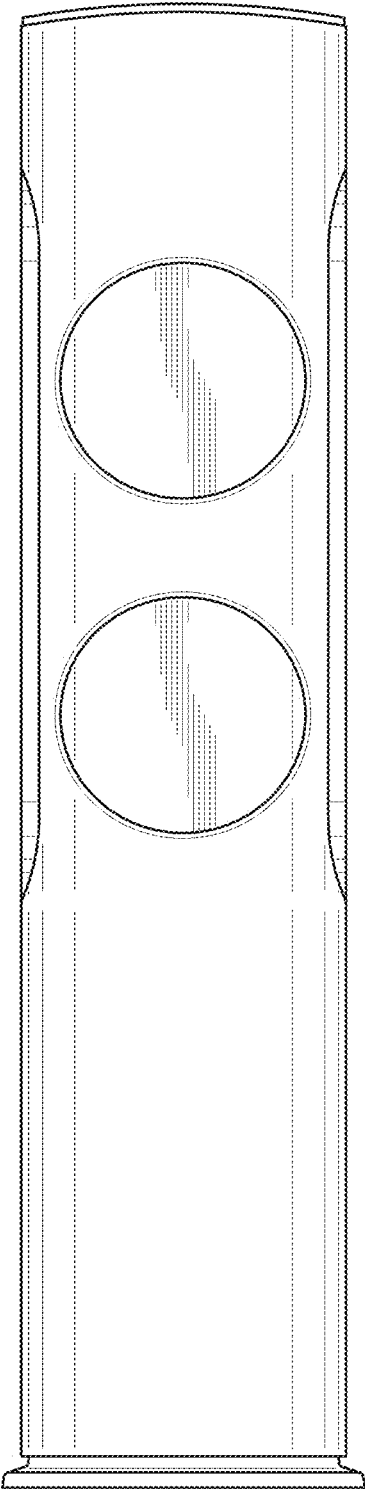


FIG. 4

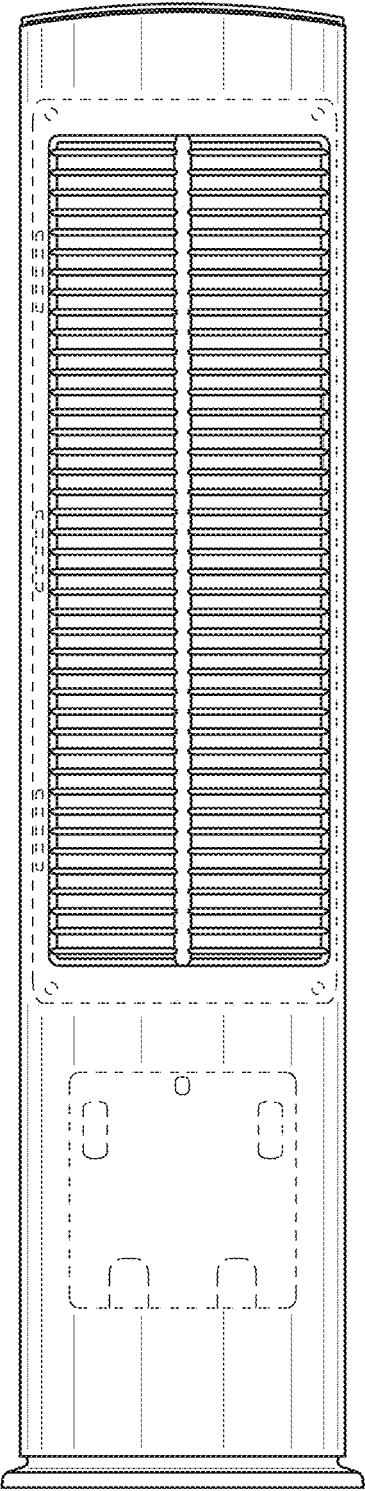


FIG. 5

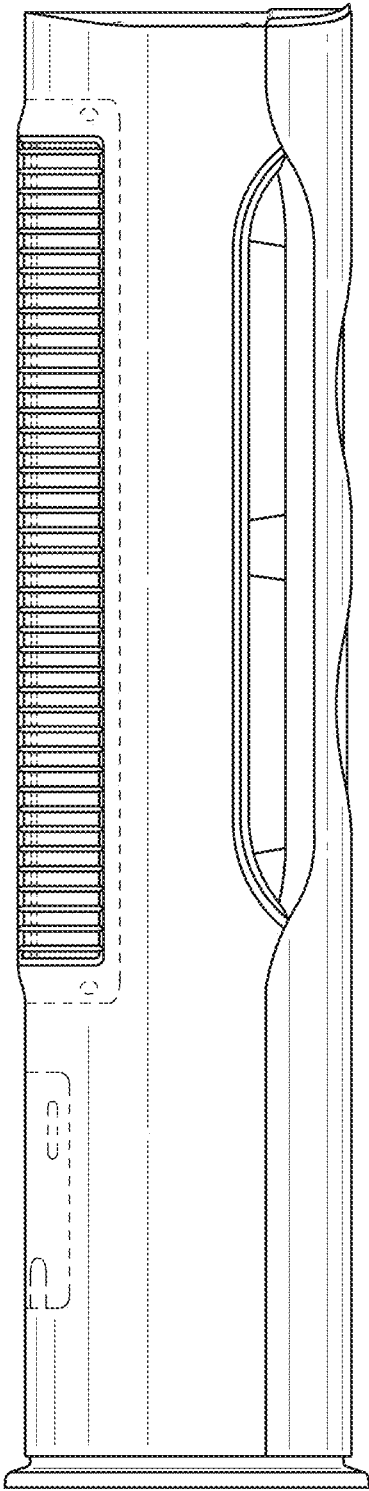


FIG. 6

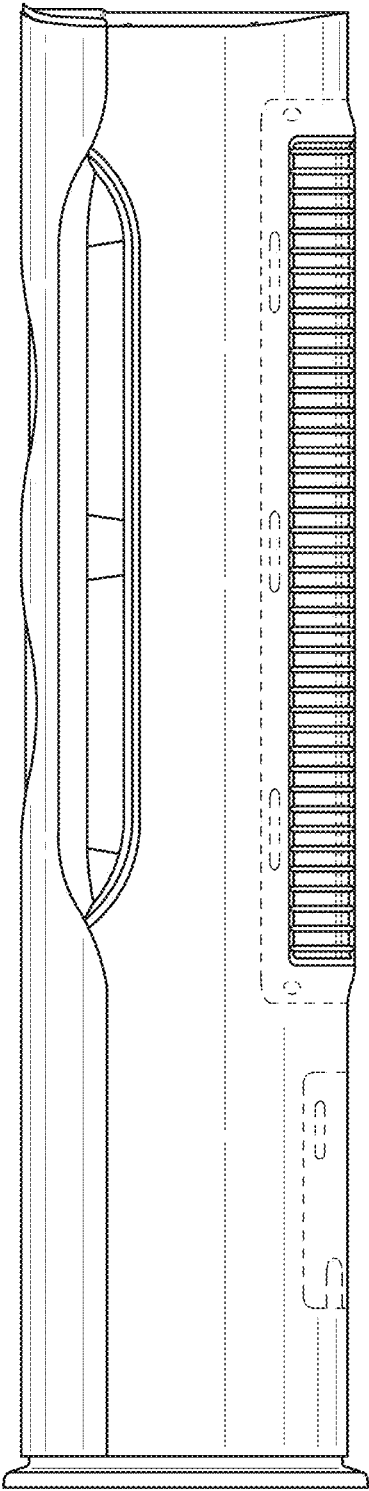


FIG. 7

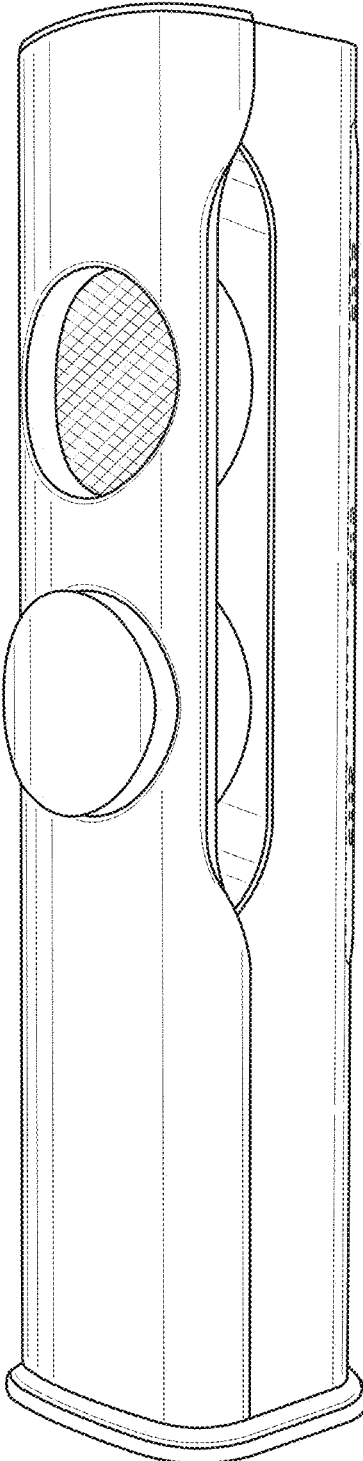


FIG. 8

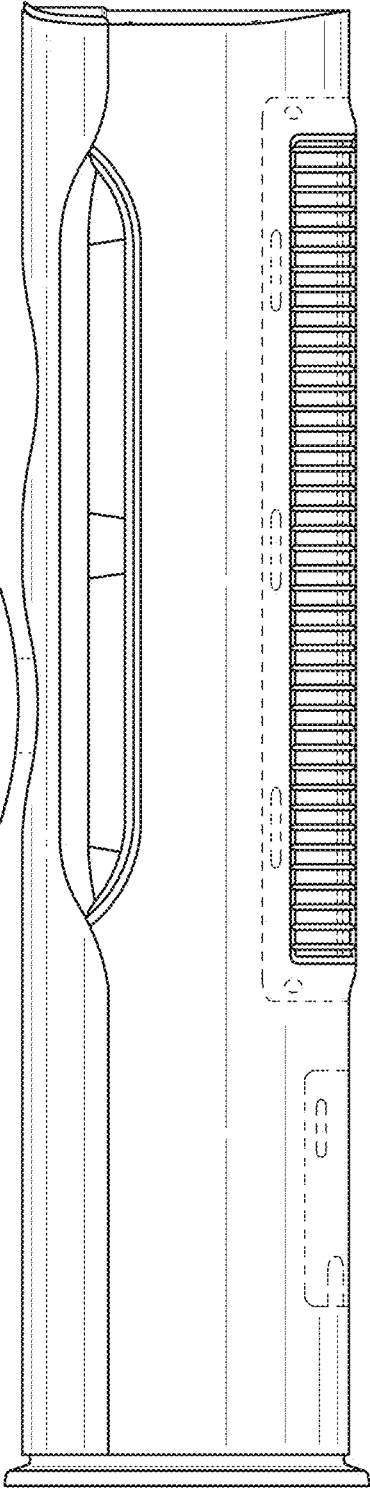


FIG. 9