



US00D856476S

(12) **United States Design Patent**  
**Park**

(10) **Patent No.:** **US D856,476 S**

(45) **Date of Patent:** **\*\* Aug. 13, 2019**

(54) **NOZZLE FOR FLUID PUMP**  
(71) Applicant: **Dukshin Corp., Ltd.**, Incheon (KR)  
(72) Inventor: **Kyung Suh Park**, Suwon-si (KR)  
(73) Assignee: **DUKSHIN CORP., LTD.**, Incheon (KR)  
(\*\*) Term: **15 Years**  
(21) Appl. No.: **29/631,097**

D755,925 S \* 5/2016 Park ..... D15/7  
D760,351 S \* 6/2016 Weidmann ..... D23/226  
D780,891 S \* 3/2017 Endo ..... D23/226  
D800,867 S \* 10/2017 Blum ..... D23/213

\* cited by examiner

*Primary Examiner* — Robin V Webster  
(74) *Attorney, Agent, or Firm* — Kirton McConkie; Evan R. Witt

(22) Filed: **Dec. 27, 2017**  
(51) **LOC (12) Cl.** ..... **23-01**  
(52) **U.S. Cl.**  
USPC ..... **D23/226**  
(58) **Field of Classification Search**  
USPC ..... D23/213, 223, 226; D15/7  
CPC ..... A01M 7/0046; B05B 9/01; B05B 1/30;  
B05B 7/08; B05B 5/1691; B05B 5/043;  
B05B 5/025; B05B 1/005; B05B 7/083  
See application file for complete search history.

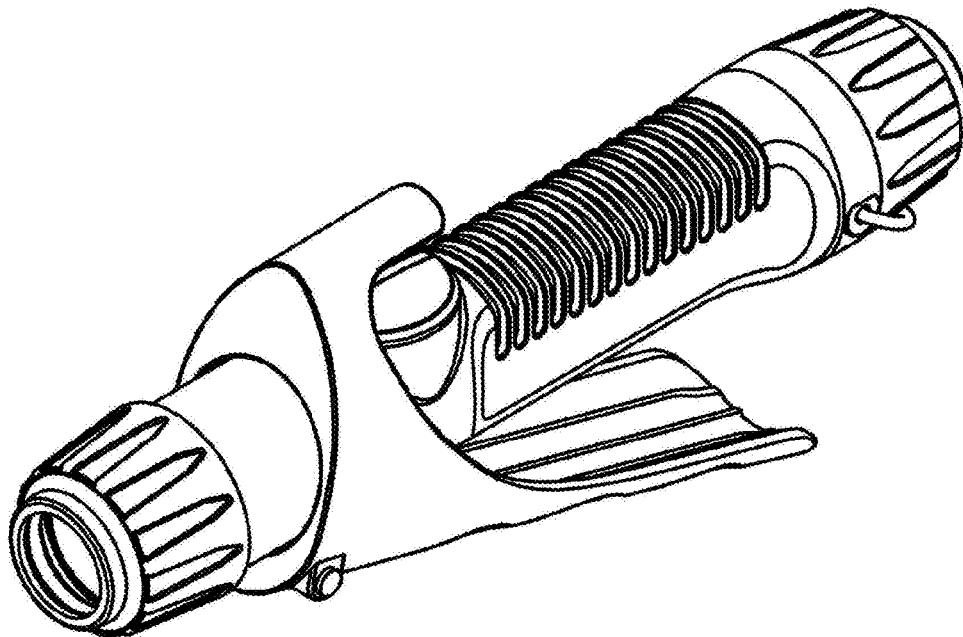
(57) **CLAIM**  
The ornamental design for a nozzle for fluid pump, as shown.

**DESCRIPTION**

FIG. 1 is a perspective view of a nozzle for fluid pump showing my new design;  
FIG. 2 is a right side elevational view thereof;  
FIG. 3 is a left side elevational view thereof;  
FIG. 4 is a front elevational view thereof;  
FIG. 5 is a rear elevational view thereof;  
FIG. 6 is a top plan view thereof;  
FIG. 7 is a bottom plan view thereof; and,  
FIG. 8 is another perspective view thereof.

(56) **References Cited**  
U.S. PATENT DOCUMENTS  
D559,350 S \* 1/2008 Huang ..... D23/213  
D733,255 S \* 6/2015 Blum ..... D23/213

**1 Claim, 5 Drawing Sheets**



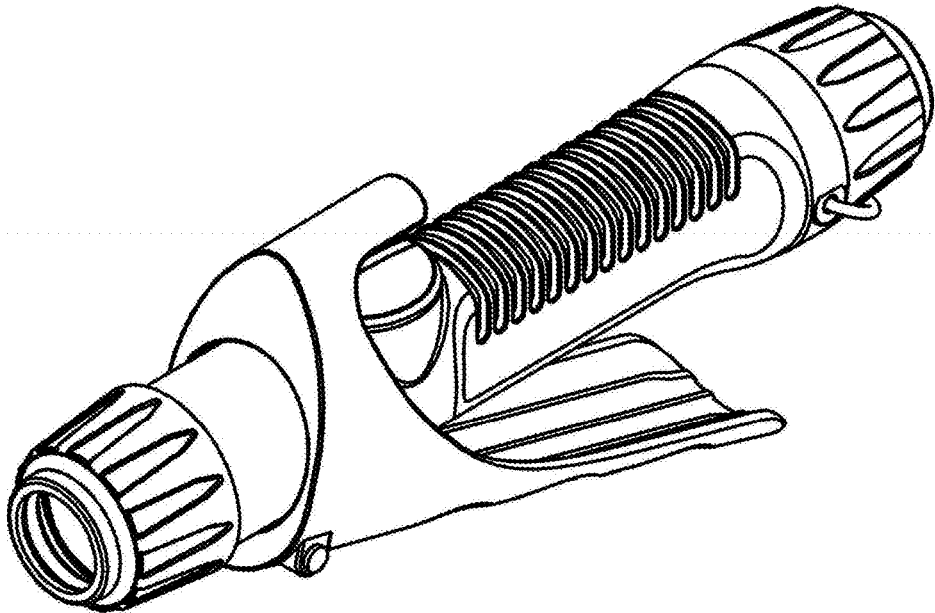


Fig. 1

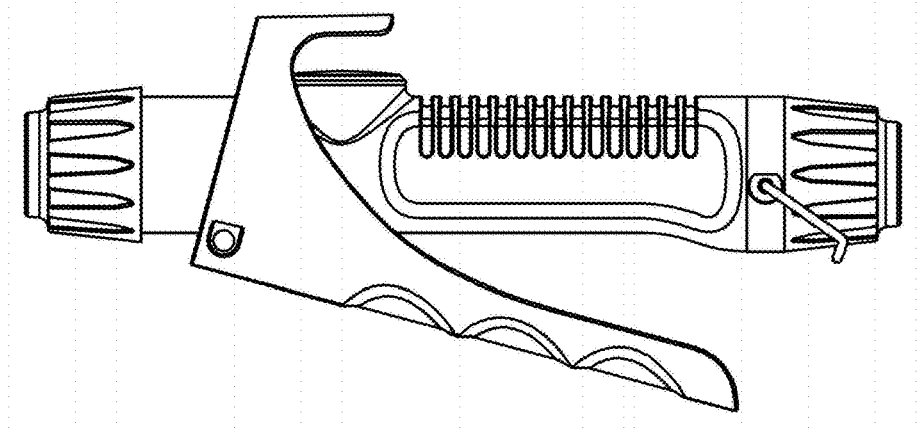


Fig. 2

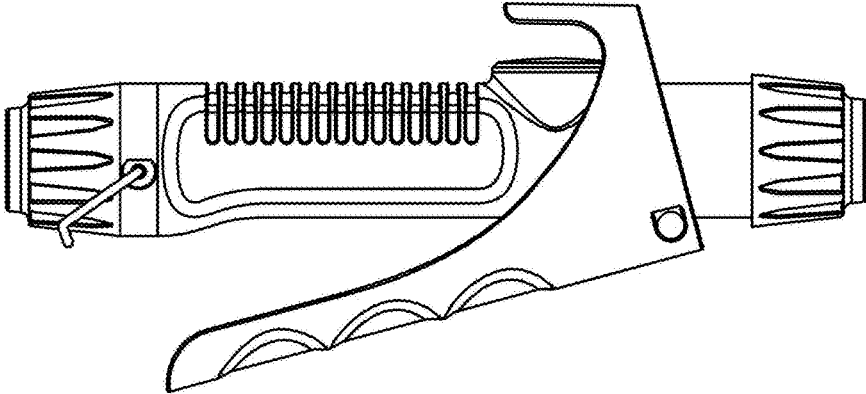


Fig. 3

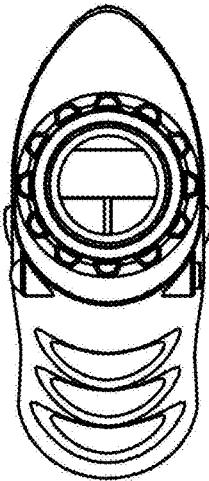


Fig. 4

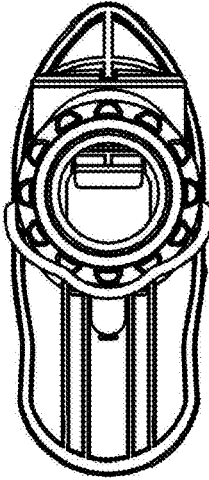


Fig. 5

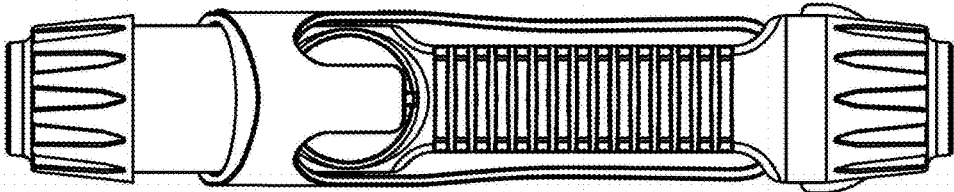


Fig. 6

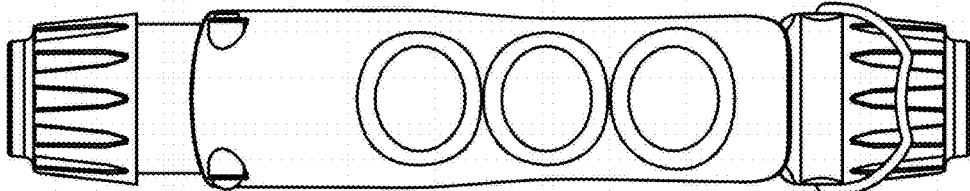


Fig. 7

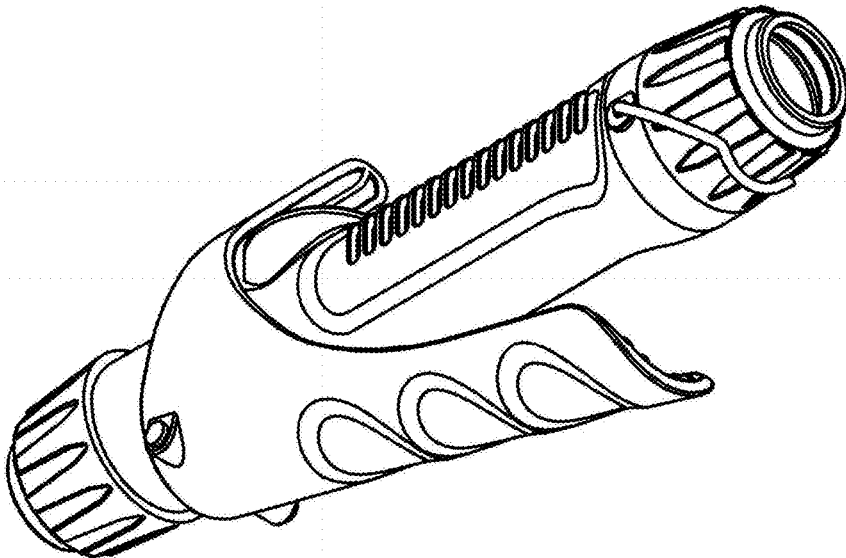


Fig. 8