



(12) **United States Design Patent** (10) **Patent No.:** **US D796,352 S**
Morneau et al. (45) **Date of Patent:** **** Sep. 5, 2017**

(54) **THERMOSTAT**
 (71) Applicant: **ARTIKA FOR LIVING INC.**, Dorval, Quebec (CA)
 (72) Inventors: **Dave Morneau**, Mont St-Hilaire (CA);
Alireza Hatamian, Montreal (CA);
Oliver Bradley, Montreal (CA)
 (73) Assignee: **Artika For Living Inc.**, Dorval (CA)
 (**) Term: **15 Years**
 (21) Appl. No.: **29/563,019**
 (22) Filed: **May 2, 2016**

(30) **Foreign Application Priority Data**
 Dec. 16, 2015 (CA) 165918
 (51) **LOC (10) Cl.** **10-04**
 (52) **U.S. Cl.**
 USPC **D10/49; D10/60**
 (58) **Field of Classification Search**
 USPC D10/49, 50, 60
 CPC . F23N 5/20; F23N 5/203; F23N 5/206; F23N 5/18; F23N 5/184; F23N 5/187; F23N 5/22; F23N 2025/12; F23N 2041/02; F24F 11/00; F24F 11/0012; F24F 11/0009; F24F 11/001; F24F 2011/0057; F24F 2011/0073; F24F 2011/0091
 See application file for complete search history.

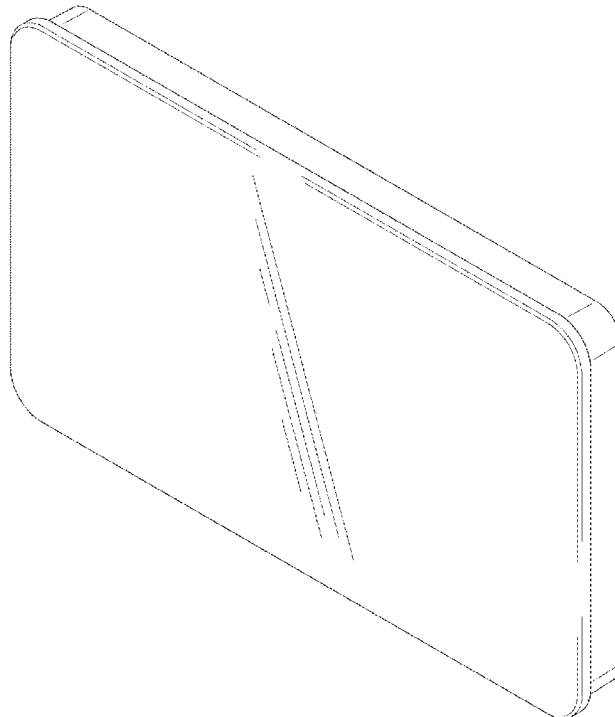
(56) **References Cited**
 U.S. PATENT DOCUMENTS
 D421,399 S * 3/2000 Bennett D10/103
 D595,161 S * 6/2009 Fisher D10/50
 D737,154 S * 8/2015 Jacoby D10/50
 D738,756 S * 9/2015 Jiang D10/50
 D741,269 S * 10/2015 Bhattacharya D10/50
 D744,433 S * 12/2015 Baumgartner D10/49
 D751,426 S * 3/2016 Edgar D10/50

* cited by examiner
Primary Examiner — Antoine D Davis
 (74) *Attorney, Agent, or Firm* — Brouillette Legal Inc.;
 Robert Brouillette

(57) **CLAIM**
 The ornamental design for a thermostat, as shown.

DESCRIPTION
 FIG. 1 is a perspective view of a thermostat;
 FIG. 2 is a front elevation view of the thermostat;
 FIG. 3 is a left side elevation view of the thermostat;
 FIG. 4 is a right side elevation view of the thermostat;
 FIG. 5 is a rear elevation view of the thermostat;
 FIG. 6 is a top plan view of the thermostat; and,
 FIG. 7 is a bottom plan view of the thermostat.
 The broken lines are for environmental purposes only and form no part of the claimed design.

1 Claim, 7 Drawing Sheets



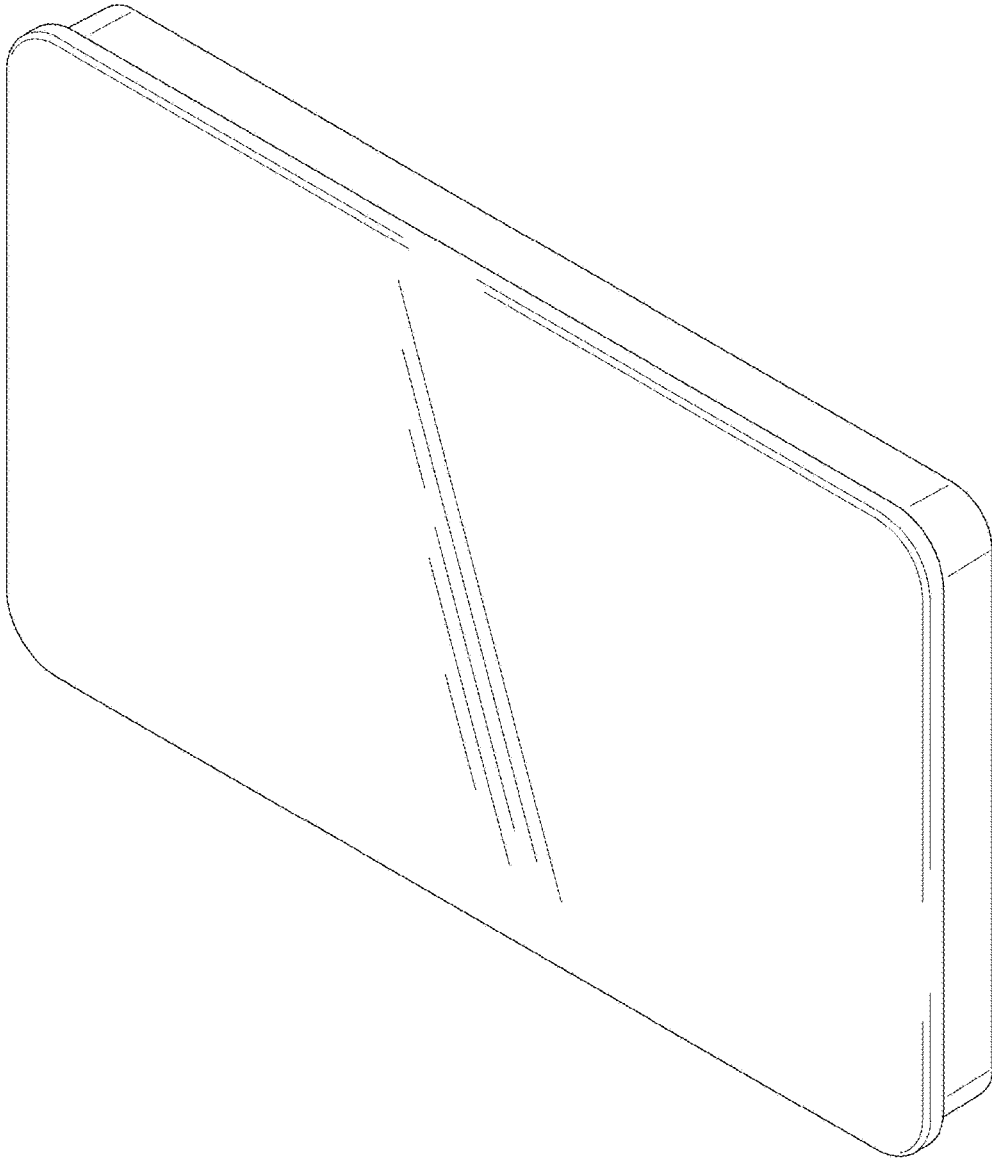


FIG. 1

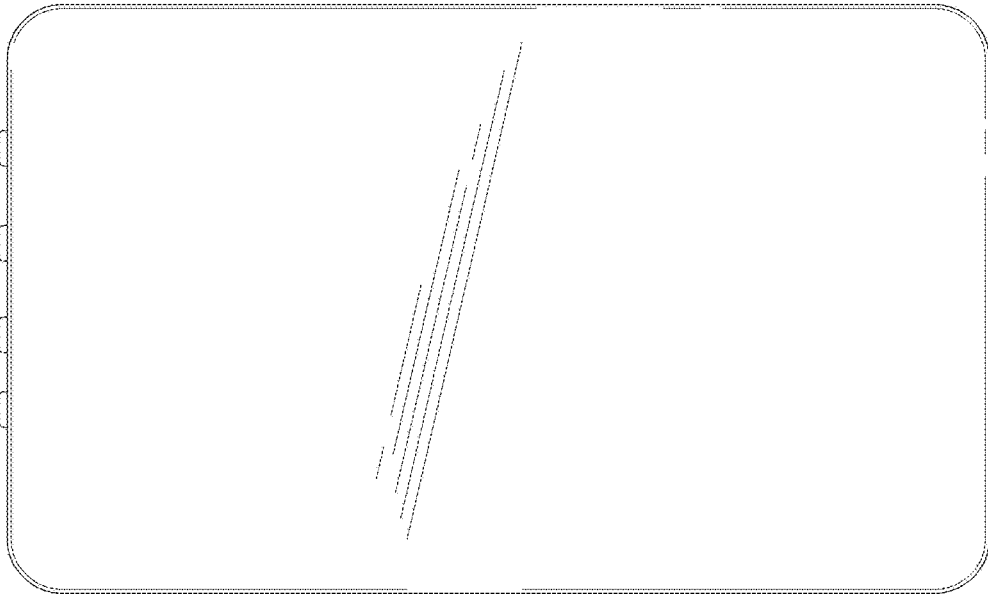


FIG. 2

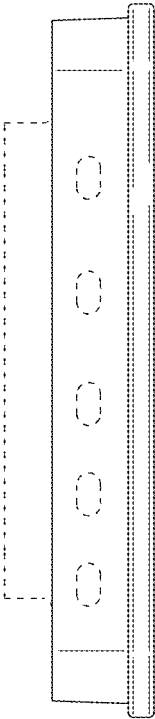


FIG. 3

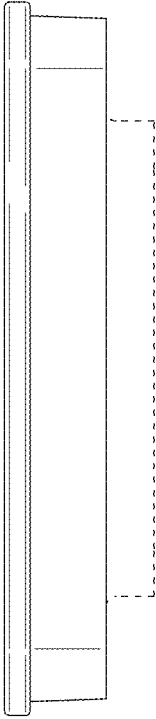


FIG. 4

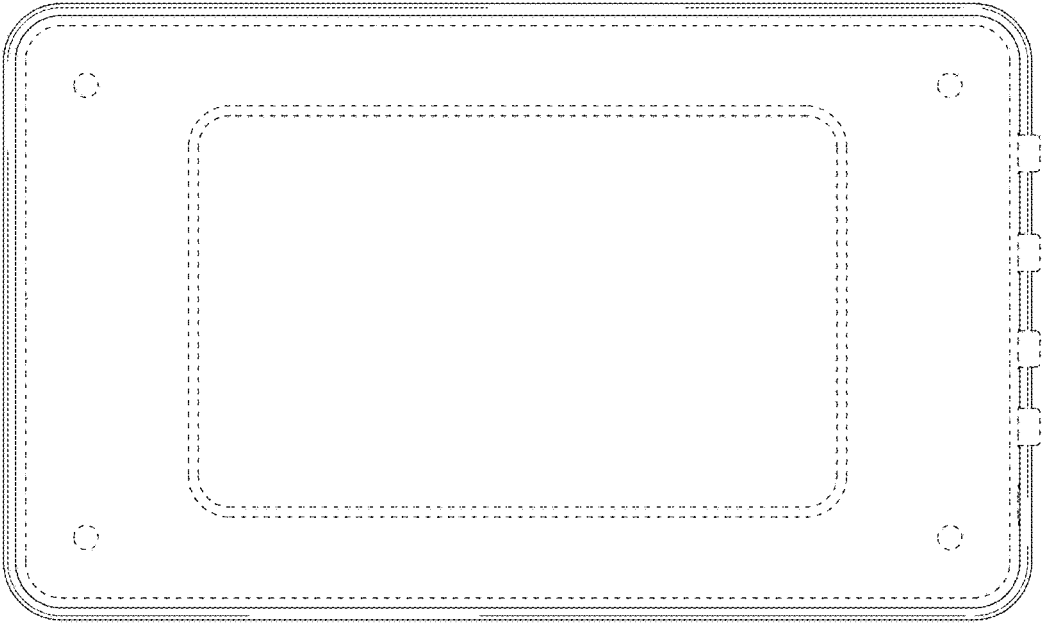


FIG. 5

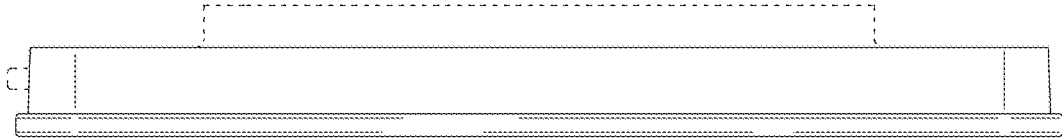


FIG. 6

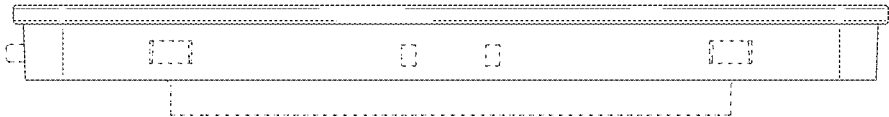


FIG. 7