



US00D801398S

(12) **United States Design Patent**
Bartlett et al.

(10) **Patent No.:** **US D801,398 S**

(45) **Date of Patent:** **** Oct. 31, 2017**

(54) STUFFING MACHINE	5,199,244 A *	4/1993	Beier	B68G 7/06 141/67
(71) Applicant: Build-A-Bear Retail Management, Inc., St. Louis, MO (US)	D427,209 S *	6/2000	Collida	D15/66
	D486,162 S *	2/2004	Collida	D15/66
	D490,089 S *	5/2004	Box	D15/66
(72) Inventors: Mark Bartlett, Florissant, MO (US); Beth Ellis, St. Louis, MO (US)	D549,256 S *	8/2007	Bartleucci	D15/145
	D552,642 S *	10/2007	Scheinman	D15/145
	8,955,213 B2 *	2/2015	Gordon	A63H 9/00 29/428
(73) Assignee: Build-A-Bear Retail Management, Inc., St. Louis, MO (US)	D753,731 S *	4/2016	Watkins, Jr.	D15/66
	2006/0163291 A1 *	7/2006	Bartleucci	A63H 3/02 222/412

(**) Term: **15 Years**

* cited by examiner

(21) Appl. No.: **29/571,071**

Primary Examiner — Mitchell Siegel

(22) Filed: **Jul. 14, 2016**

(74) *Attorney, Agent, or Firm* — Lewis Rice LLC

(51) **LOC (10) Cl.** **15-03**

(57) **CLAIM**

(52) **U.S. Cl.**

The ornamental design for a stuffing machine, as shown and described.

USPC **D15/66**

(58) **Field of Classification Search**

USPC D15/66

CPC ... B68G 7/06; B68G 1/00; A63H 9/00; A63H

3/02

See application file for complete search history.

DESCRIPTION

FIG. 1 provides a front perspective view of a stuffing machine.

FIG. 2 provides a front view of a stuffing machine.

FIG. 3 provides a rear view of a stuffing machine.

FIG. 4 provides a left side view of a stuffing machine.

FIG. 5 provides a right side view of a stuffing machine.

FIG. 6 provides a top view of a stuffing machine; and,

FIG. 7 provides a bottom view of a stuffing machine.

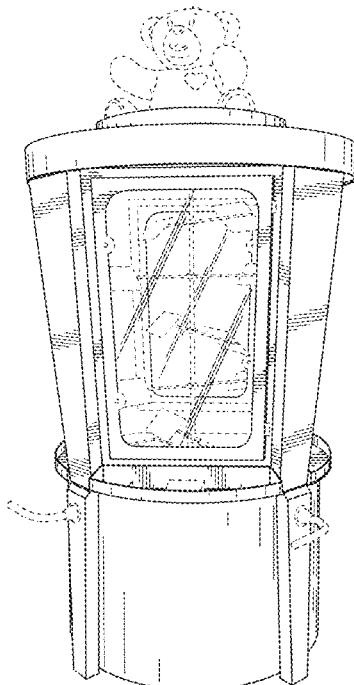
The broken lines shown in the drawings are included for the purpose of illustrating environmental structure and form no part of the claimed design.

(56) **References Cited**

U.S. PATENT DOCUMENTS

2,794,454 A *	6/1957	Moulthrop	B68G 7/06 141/67
3,351,106 A *	11/1967	Moulthrop	B68G 7/06 141/314
3,693,836 A *	9/1972	Eisner	G01G 13/00 141/67
4,664,160 A *	5/1987	Rothstein	B68G 7/06 141/67

1 Claim, 7 Drawing Sheets



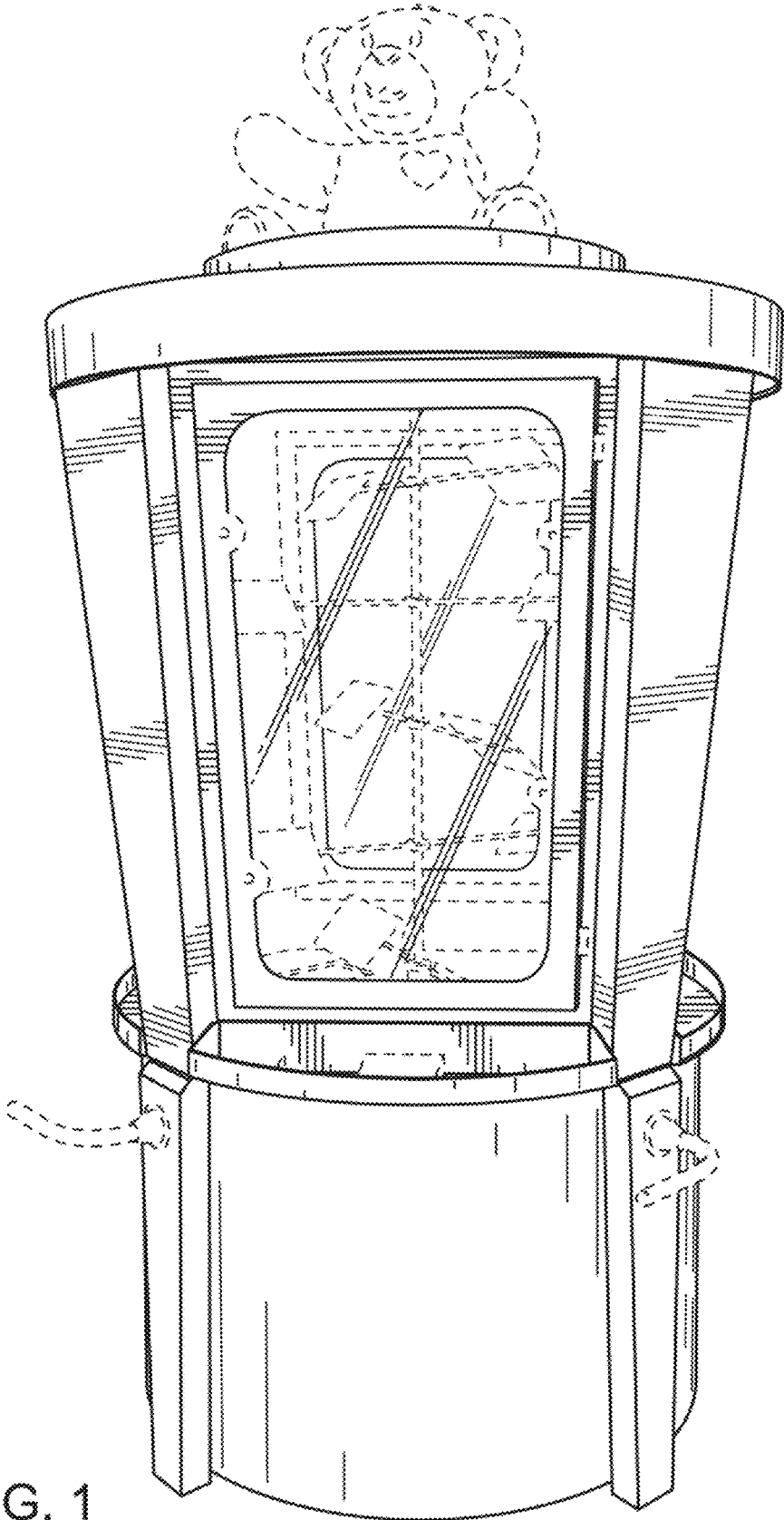


FIG. 1

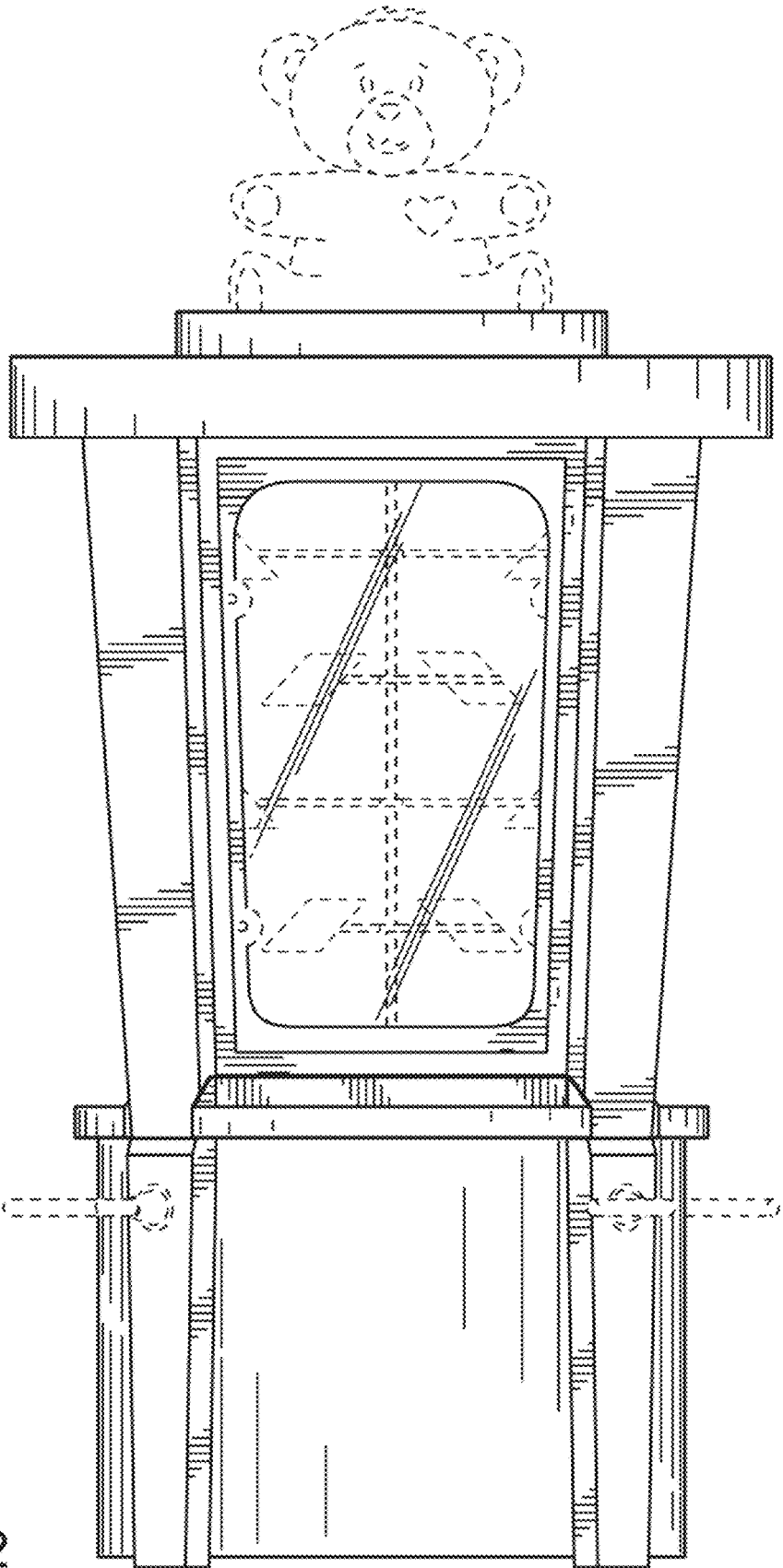


FIG. 2

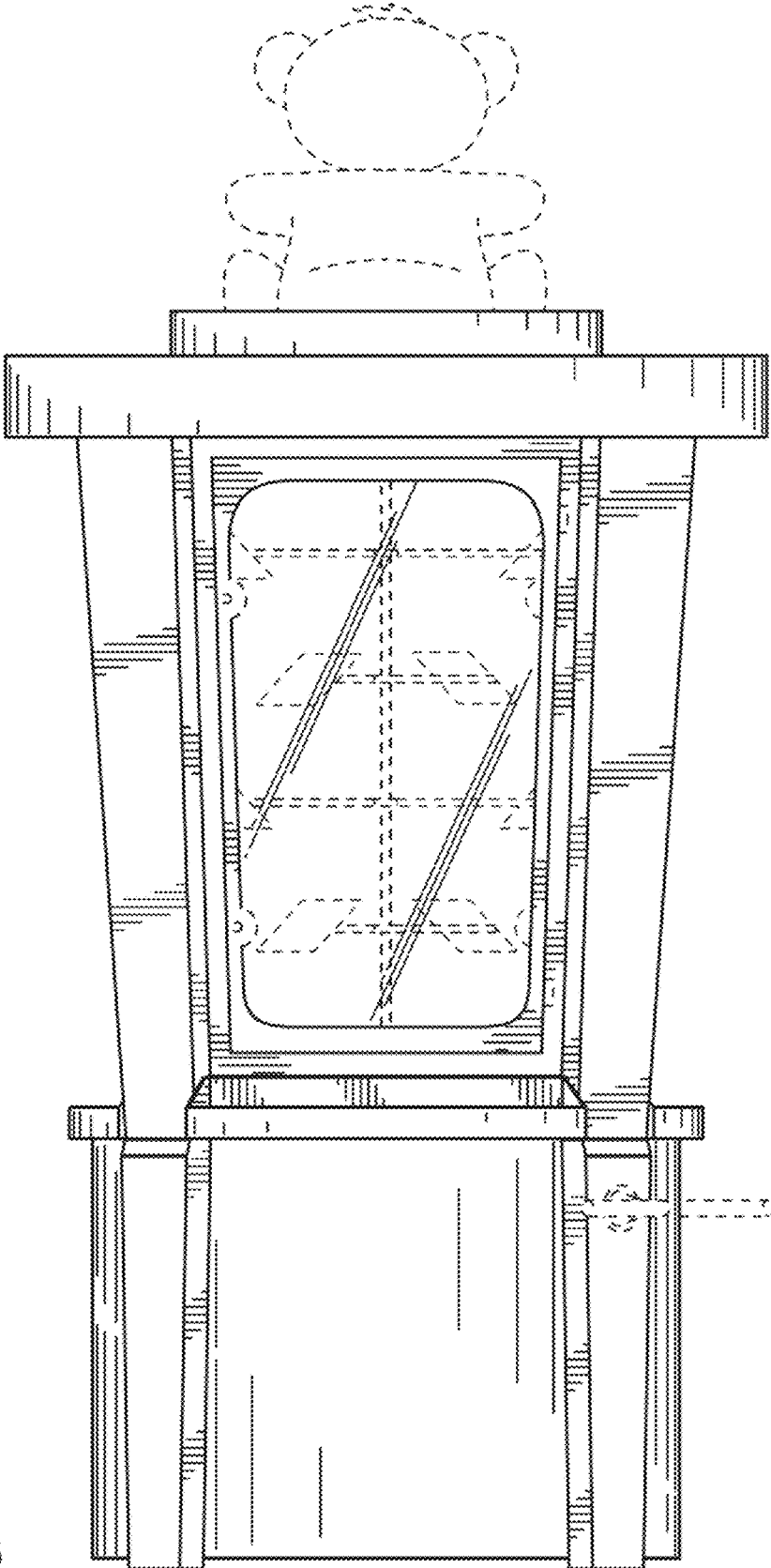


FIG. 3

STUFFING MACHINE
Inventor: Bartlett Docket No. 213/2522D
Sheet 4 of 7

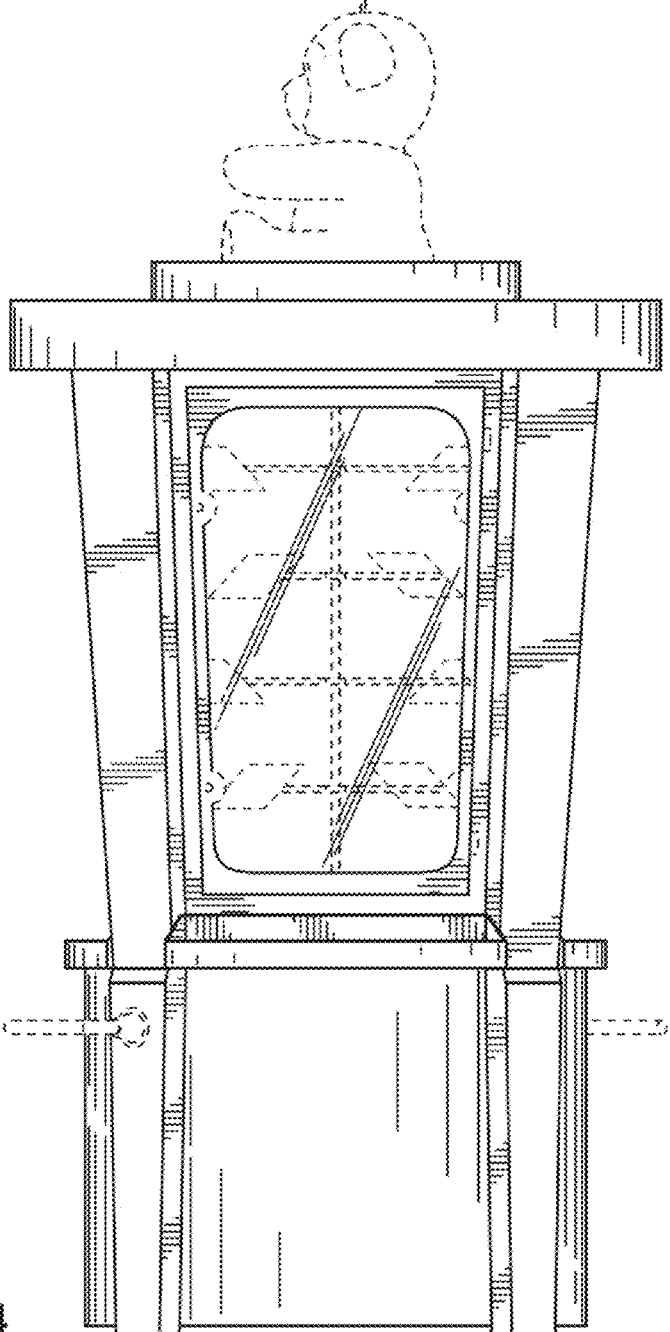


FIG. 4

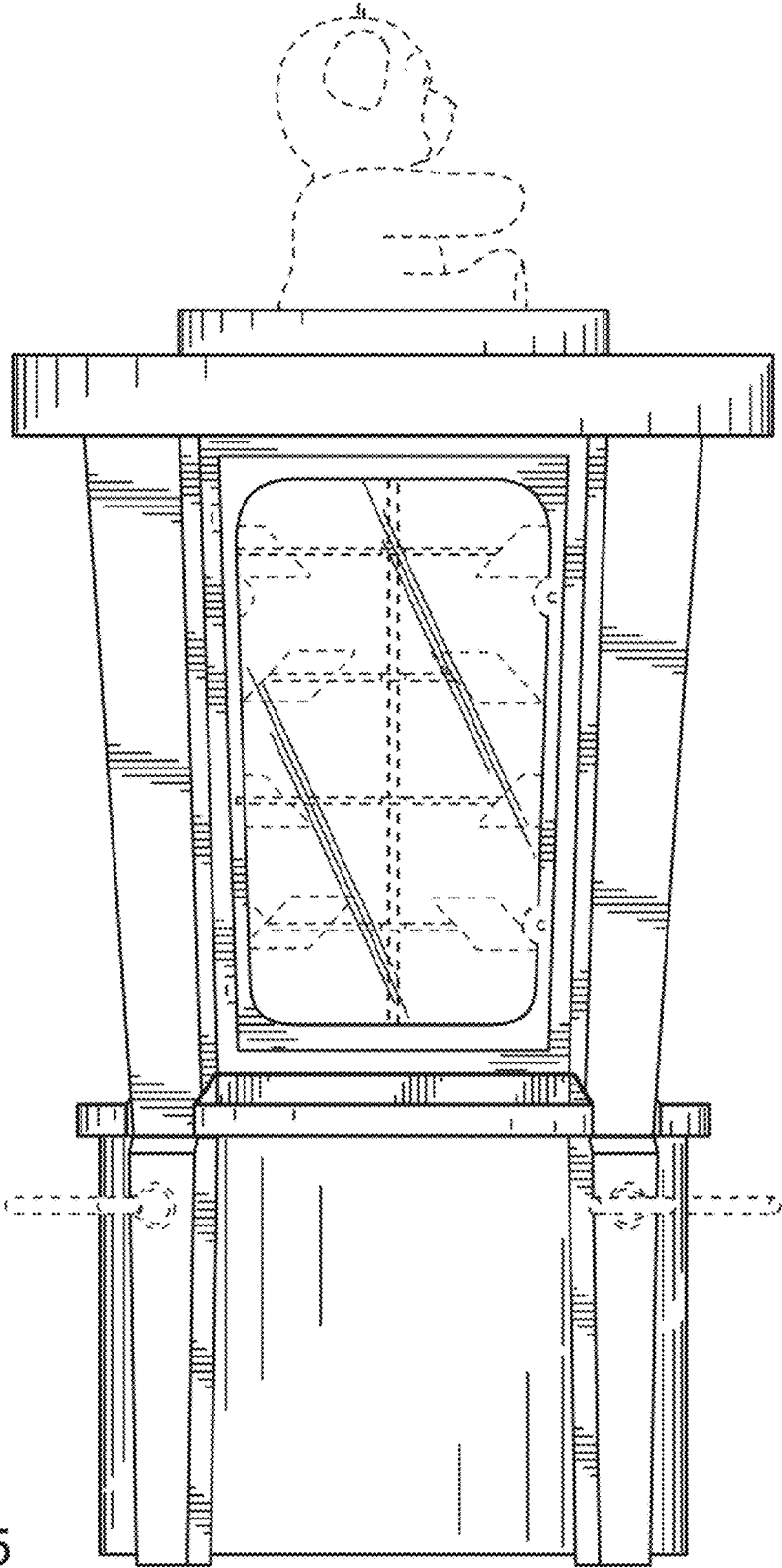


FIG. 5

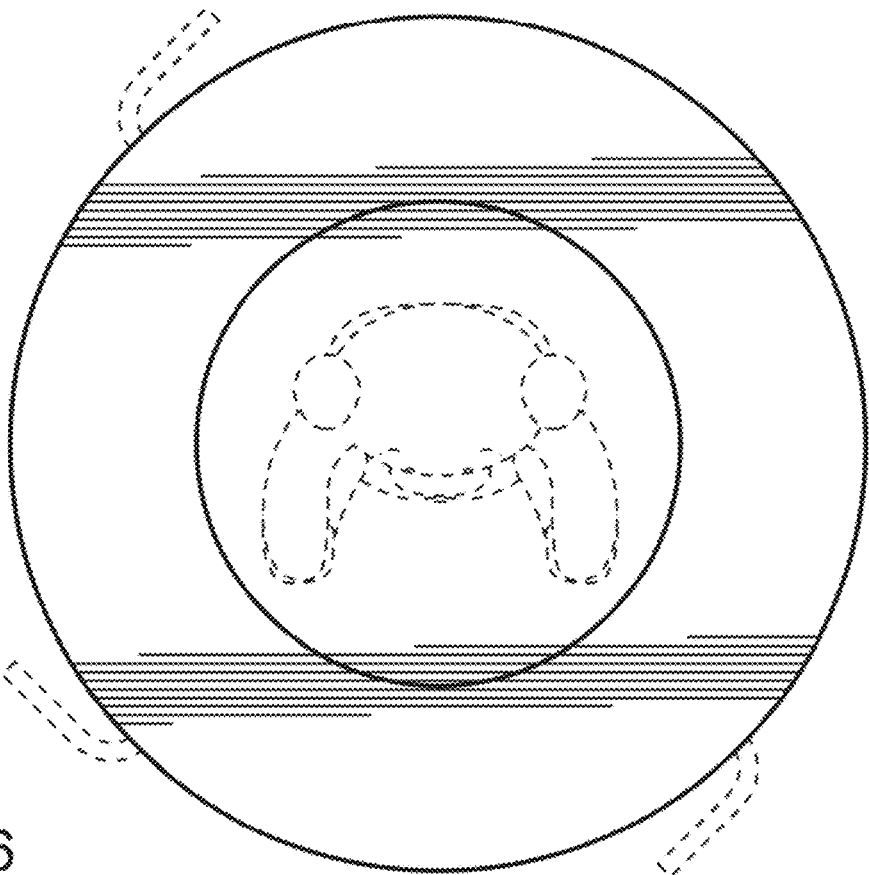


FIG. 6

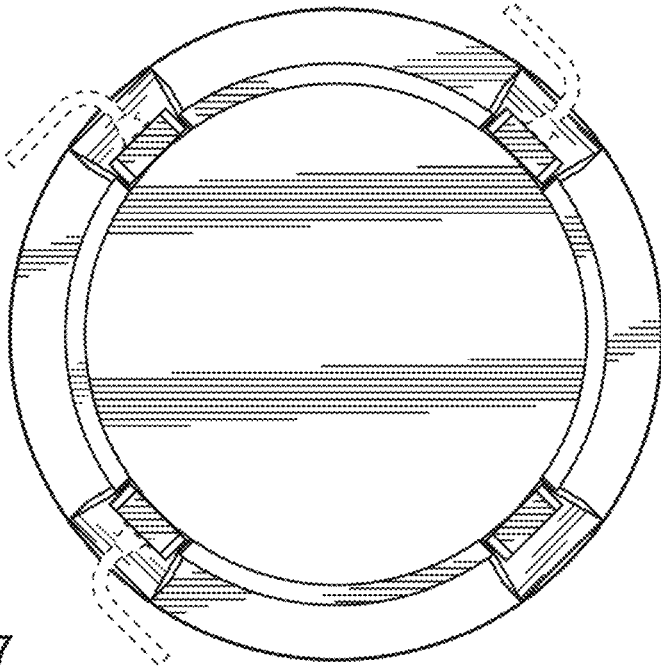


FIG. 7