



(43) International Publication Date
27 September 2012 (27.09.2012)

- (51) International Patent Classification:
E04H 6/18 (2006.01) *E04H 6/42* (2006.01)
- (21) International Application Number:
PCT/EP2012/054866
- (22) International Filing Date:
20 March 2012 (20.03.2012)
- (25) Filing Language: English
- (26) Publication Language: English
- (30) Priority Data:
11159466.9 23 March 2011 (23.03.2011) EP
- (71) Applicant (for all designated States except US): **SKY-LINE PARKING AG** [CH/CH]; Lagerhausstrasse 3, CH-8400 Winterthur (CH).
- (72) Inventor; and
- (75) Inventor/Applicant (for US only): **STUTZ, Frido** [CH/CH]; Grosszelgstrasse 2, CH-8426 Lufingen (CH).
- (74) Agent: **FELBER, Josef**; Felber & Partner Ag, Dufourstrasse 116, CH-8034 Zürich (CH).
- (81) Designated States (unless otherwise indicated, for every kind of national protection available): AE, AG, AL, AM, AO, AT, AU, AZ, BA, BB, BG, BH, BR, BW, BY, BZ, CA, CH, CL, CN, CO, CR, CU, CZ, DE, DK, DM, DO,

DZ, EC, EE, EG, ES, FI, GB, GD, GE, GH, GM, GT, HN, HR, HU, ID, IL, IN, IS, JP, KE, KG, KM, KN, KP, KR, KZ, LA, LC, LK, LR, LS, LT, LU, LY, MA, MD, ME, MG, MK, MN, MW, MX, MY, MZ, NA, NG, NI, NO, NZ, OM, PE, PG, PH, PL, PT, QA, RO, RS, RU, RW, SC, SD, SE, SG, SK, SL, SM, ST, SV, SY, TH, TJ, TM, TN, TR, TT, TZ, UA, UG, US, UZ, VC, VN, ZA, ZM, ZW.

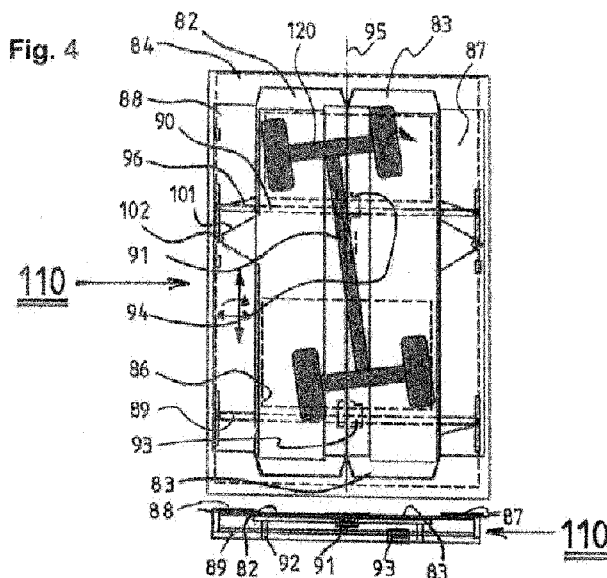
(84) Designated States (unless otherwise indicated, for every kind of regional protection available): ARIPO (BW, GH, GM, KE, LR, LS, MW, MZ, NA, RW, SD, SL, SZ, TZ, UG, ZM, ZW), Eurasian (AM, AZ, BY, KG, KZ, MD, RU, TJ, TM), European (AL, AT, BE, BG, CH, CY, CZ, DE, DK, EE, ES, FI, FR, GB, GR, HR, HU, IE, IS, IT, LT, LU, LV, MC, MK, MT, NL, NO, PL, PT, RO, RS, SE, SI, SK, SM, TR), OAPI (BF, BJ, CF, CG, CI, CM, GA, GN, GQ, GW, ML, MR, NE, SN, TD, TG).

Published:

- with international search report (Art. 21(3))
- before the expiration of the time limit for amending the claims and to be republished in the event of receipt of amendments (Rule 48.2(h))

(88) Date of publication of the international search report:
3 January 2013

(54) Title: ENTRANCE GATE FOR AN AUTOMATIC PARKING GARAGE HAVING MECHANISM FOR CENTERING A VEHICLE ON THE ENTRANCE GATE



(57) Abstract: An entrance gate and an automatic parking garage having such an entrance gate (110) are provided. The entrance gate includes two stationary ground plates (81); two trace plates (82, 83) thereabove, movable in the plane in any direction in a gliding manner, each for receiving thereon a front and rear wheel of a car; a stationary top plate (84) above the trace plates, having two opposing cut-out windows (85,86), with each trace plate (82, 83) exposed through one window (85, 86); and two centering plates (87, 88) above the top plate (84), on outer sides of the cut-out windows (85, 86). The centering plates (87, 88) connect with and are driven by two drive units (93, 94) to affect synchronous counter-movements. When being driven toward each other, the centering plates (87,88) touch outer sides of tires of a car resting on the trace plates (82, 83) and move the car toward a centerline (95) of the entrance gate (110), until the centerline (95) of the car is aligned with the centerline (95) of the entrance gate (110).

WO 2012/126902 A3

INTERNATIONAL SEARCH REPORT

International application No
PCT/EP2012/054866

A. CLASSIFICATION OF SUBJECT MATTER
INV. E04H6/18 E04H6/42
ADD.
According to International Patent Classification (IPC) or to both national classification and IPC

B. FIELDS SEARCHED
Minimum documentation searched (classification system followed by classification symbols)
E04H
Documentation searched other than minimum documentation to the extent that such documents are included in the fields searched

Electronic data base consulted during the international search (name of data base and, where practicable, search terms used)
EPO-Internal, WPI Data

C. DOCUMENTS CONSIDERED TO BE RELEVANT		
Category*	Citation of document, with indication, where appropriate, of the relevant passages	Relevant to claim No.
A	FR 2 644 196 A1 (IDEE SARL [FR]) 14 September 1990 (1990-09-14) figures 1-6 page 5, line 1 - line 15 -----	1-9
A	DE 197 43 515 A1 (MAURER FRIEDRICH SOEHNE [DE]) 2 July 1998 (1998-07-02) figure 1 -----	1-9
A	JP 5 272255 A (.) 19 October 1993 (1993-10-19) figure 1 -----	1-9
A	US 2010/034626 A1 (REINIGER DAVID JOHN [US] ET AL) 11 February 2010 (2010-02-11) figure 4 -----	1-9

Further documents are listed in the continuation of Box C.

See patent family annex.

* Special categories of cited documents :

"A" document defining the general state of the art which is not considered to be of particular relevance	"T" later document published after the international filing date or priority date and not in conflict with the application but cited to understand the principle or theory underlying the invention
"E" earlier application or patent but published on or after the international filing date	"X" document of particular relevance; the claimed invention cannot be considered novel or cannot be considered to involve an inventive step when the document is taken alone
"L" document which may throw doubts on priority claim(s) or which is cited to establish the publication date of another citation or other special reason (as specified)	"Y" document of particular relevance; the claimed invention cannot be considered to involve an inventive step when the document is combined with one or more other such documents, such combination being obvious to a person skilled in the art
"O" document referring to an oral disclosure, use, exhibition or other means	"&" document member of the same patent family
"P" document published prior to the international filing date but later than the priority date claimed	

Date of the actual completion of the international search 7 November 2012	Date of mailing of the international search report 14/11/2012
---	---

Name and mailing address of the ISA/ European Patent Office, P.B. 5818 Patentlaan 2 NL - 2280 HV Rijswijk Tel. (+31-70) 340-2040, Fax: (+31-70) 340-3016	Authorized officer Brucksch, Carola
--	---

INTERNATIONAL SEARCH REPORT

Information on patent family members

International application No

PCT/EP2012/054866

Patent document cited in search report	Publication date	Patent family member(s)	Publication date
FR 2644196	A1	14-09-1990	NONE
DE 19743515	A1	02-07-1998	NONE
JP 5272255	A	19-10-1993	JP 2858060 B2 17-02-1999 JP 5272255 A 19-10-1993
US 2010034626	A1	11-02-2010	NONE