

(12) UK Patent Application (19) GB (11) 2499178 (13) A

(43) Date of Reproduction by UK Office 14.08.2013

(21) Application No: 1112155.5

(22) Date of Filing: 25.02.2010

Date Lodged: 15.07.2011

(30) Priority Data:
(31) 20090870 (32) 25.02.2009 (33) NO

(86) International Application Data:
PCT/EP2010/052387 En 25.02.2010

(87) International Publication Data:
WO2010/097426 En 02.09.2010

(51) INT CL:
B63B 21/22 (2006.01) B63B 21/04 (2006.01)
B66D 1/26 (2006.01) B66D 1/74 (2006.01)
B66D 5/00 (2006.01) F16G 11/08 (2006.01)

(56) Documents Cited:
WO 2009/005367 A2 WO 2008/153411 A1
US 6182915 B1 US 6019058 A
US 3771488 A US 20080173115 A1
US 20050191165 A1

(58) Field of Search:
INT CL B63B, B66D, F16G
Other: EPO-Internal

(71) Applicant(s):
ROLLS-ROYCE MARINE AS
(Incorporated in Norway)
Serviceboks 22, NO-6025 Ålesund, Norway

(72) Inventor(s):
Per Ingeberg

(74) Agent and/or Address for Service:
Forresters
Sherborne House, 119-121 Cannon Street, LONDON,
EC4N 5AT, United Kingdom

(54) Title of the Invention: **Method and device for handling of rope**
Abstract Title: **Method and device for handling of rope**

(57) A rope handling system for an offshore vessel for handling of synthetic rope (3) for heavy lifting and deployment operations offshore, the system comprising multiple winch drums (11) adopted for housing a predetermined length of rope (3), a spooling system (13, 17) to spool in and spool out rope on the drums (11), a transfer system comprising of sheaves (14, 21, 22) for leading the rope (3) between a drum (11) and a traction winch (15), the traction winch (15) comprising three or more sheaves (30), where the sheaves are arranged so that rope may be arranged from one sheave to the next substantially following a common tangent of the two sheaves and so that the rope rests against about half the circumference of each sheave, and where each sheave operated by an independent motor (32), and where a rope stopper (4) is arranged downstream of the traction winch relative to the drum (11) upstream of the traction winch, is described. A method for handling rope during heavy lifting and deployment operations, and a method for loading rope onto the system are also described.

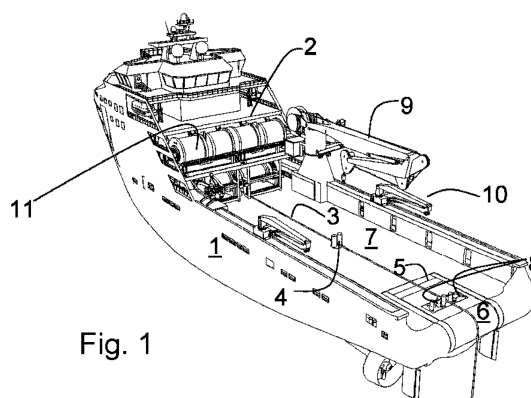


Fig. 1

GB 2499178 A