

(19) World Intellectual Property Organization
International Bureau



(43) International Publication Date
30 August 2001 (30.08.2001)

PCT

(10) International Publication Number
WO 01/62158 A3

(51) International Patent Classification⁷: A61B 17/34, 17/115, 17/11

(21) International Application Number: PCT/US01/05480

(22) International Filing Date: 21 February 2001 (21.02.2001)

(25) Filing Language: English

(26) Publication Language: English

(30) Priority Data:
09/510,933 22 February 2000 (22.02.2000) US

(71) Applicant: POWERMED, INC. [US/US]; P.O. Box 1021, Washington's Crossing, PA 18977 (US).

(72) Inventor: WHITMAN, Michael, P.; 16 Pheasant Run, New Hope, PA 18938 (US).

(74) Agents: BIRDE, Patrick, J. et al.; Kenyon & Kenyon, One Broadway, New York, NY 10004 (US).

(81) Designated States (*national*): AE, AG, AL, AM, AT, AU, AZ, BA, BB, BG, BR, BY, BZ, CA, CH, CN, CR, CU, CZ, DE, DK, DM, DZ, EE, ES, FI, GB, GD, GE, GH, GM, HR, HU, ID, IL, IN, IS, JP, KE, KG, KP, KR, KZ, LC, LK, LR, LS, LT, LU, LV, MA, MD, MG, MK, MN, MW, MX, MZ, NO, NZ, PL, PT, RO, RU, SD, SE, SG, SI, SK, SL, TJ, TM, TR, TT, TZ, UA, UG, UZ, VN, YU, ZA, ZW.

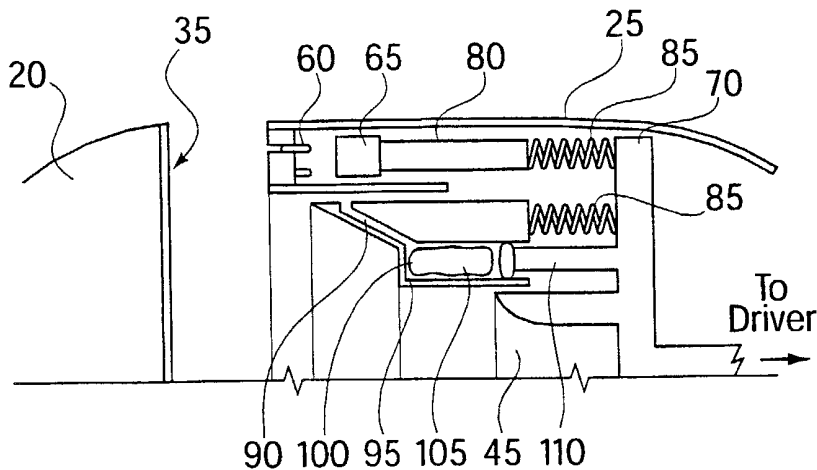
(84) Designated States (*regional*): ARIPO patent (GH, GM, KE, LS, MW, MZ, SD, SL, SZ, TZ, UG, ZW), Eurasian patent (AM, AZ, BY, KG, KZ, MD, RU, TJ, TM), European patent (AT, BE, CH, CY, DE, DK, ES, FI, FR, GB, GR, IE, IT, LU, MC, NL, PT, SE, TR), OAPI patent (BF, BJ, CF, CG, CI, CM, GA, GN, GW, ML, MR, NE, SN, TD, TG).

Published:
— with international search report

(88) Date of publication of the international search report:
14 February 2002

For two-letter codes and other abbreviations, refer to the "Guidance Notes on Codes and Abbreviations" appearing at the beginning of each regular issue of the PCT Gazette.

(54) Title: A FLUID DELIVERY DEVICE



WO 01/62158 A3

(57) Abstract: A fibrin injection mechanism for use in combination with an anastomosing and stapling attachment for an electro-mechanical device driver comprises a cylindrical dispensing chamber (95) adjacent the cylindrical blade (75) of the attachment and containing a sac (100) filled with fibrin, a plurality of channels extending (90) within the blade (75) communicating between the dispensing chamber (95) and the cutting edge (75) of the blade, such that when the turning drive shaft is activated, the staple driver (65) of the attachment moves forward to push a plurality of staples (60) through corresponding staple ports (55) and against the anvil (20) of the attachment to pass through and staple together the target tissue, while the blade driver (75) of the attachment moves forward to cut the unwanted residual tissue (post stapling), while a plunger (delivery) driver (110) moves forward through the dispensing chamber (95) to compress the sac (100) to its break point, releasing the fluid medication into the dispensing chamber (95), and eventually pushing the medication through the channels (90) to deliver the fibrin to the cutting edge of the blade (75) and thus to the site of the newly stapled target tissue to accelerate the healing process.

INTERNATIONAL SEARCH REPORT

International Application No
PCT/US 01/05480

A. CLASSIFICATION OF SUBJECT MATTER
IPC 7 A61B17/34 A61B17/115 A61B17/11

According to International Patent Classification (IPC) or to both national classification and IPC

B. FIELDS SEARCHED

Minimum documentation searched (classification system followed by classification symbols)

IPC 7 A61B

Documentation searched other than minimum documentation to the extent that such documents are included in the fields searched

Electronic data base consulted during the international search (name of data base and, where practical, search terms used)

EPO-Internal, WPI Data

C. DOCUMENTS CONSIDERED TO BE RELEVANT

Category °	Citation of document, with indication, where appropriate, of the relevant passages	Relevant to claim No.
X	WO 90 05489 A (IMMUNO SWEDEN AB) 31 May 1990 (1990-05-31) the whole document ---	1,3
X	US 6 010 512 A (CHU ET AL.) 4 January 2000 (2000-01-04) column 7, line 58 -column 8, line 13; figures ---	1,3
X	US 5 411 508 A (BESSLER ET AL.) 2 May 1995 (1995-05-02) abstract; figures 2A,10A-10D column 12, line 18-66 column 17, line 14 -column 18, line 57 ---	1
A	-/--	3,9

Further documents are listed in the continuation of box C.

Patent family members are listed in annex.

° Special categories of cited documents:

- *A* document defining the general state of the art which is not considered to be of particular relevance
- *E* earlier document but published on or after the international filing date
- *L* document which may throw doubts on priority claim(s) or which is cited to establish the publication date of another citation or other special reason (as specified)
- *O* document referring to an oral disclosure, use, exhibition or other means
- *P* document published prior to the international filing date but later than the priority date claimed

- *T* later document published after the international filing date or priority date and not in conflict with the application but cited to understand the principle or theory underlying the invention
- *X* document of particular relevance; the claimed invention cannot be considered novel or cannot be considered to involve an inventive step when the document is taken alone
- *Y* document of particular relevance; the claimed invention cannot be considered to involve an inventive step when the document is combined with one or more other such documents, such combination being obvious to a person skilled in the art.
- * & * document member of the same patent family

Date of the actual completion of the international search

11 September 2001

Date of mailing of the international search report

20/09/2001

Name and mailing address of the ISA

European Patent Office, P.B. 5818 Patentlaan 2
NL - 2280 HV Rijswijk
Tel. (+31-70) 340-2040, Tx. 31 651 epo nl,
Fax: (+31-70) 340-3016

Authorized officer

Giménez Burgos, R

INTERNATIONAL SEARCH REPORT

Int. l. Application No PCT/US 01/05480

C.(Continuation) DOCUMENTS CONSIDERED TO BE RELEVANT		
Category °	Citation of document, with indication, where appropriate, of the relevant passages	Relevant to claim No.
X	WO 97 12555 A (CEDARS-SINAI MEDICAL CENTER) 10 April 1997 (1997-04-10) abstract; figures	1
A	page 22, line 13 -page 23, line 31; figures	3,9
X	----- US 5 697 940 A (CHU ET AL.) 16 December 1997 (1997-12-16) column 12, line 51-56 column 14, line 5-12; figures 22,23	1
X	----- US 4 813 928 A (ABE ET AL.) 21 March 1989 (1989-03-21) abstract; figures column 2, line 30-42 -----	1

INTERNATIONAL SEARCH REPORT

Information on patent family members

International Application No

PCT/US 01/05480

Patent document cited in search report	A	Publication date	Patent family member(s)	Publication date
WO 9005489	A	31-05-1990	SE 465201 B	12-08-1991
			AU 4633589 A	12-06-1990
			EP 0407510 A1	16-01-1991
			SE 8804184 A	18-11-1988
			WO 9005489 A1	31-05-1990
			AU 6881691 A	13-06-1991
			SE 8903871 A	18-05-1991
			WO 9107136 A1	30-05-1991
			<hr/>	
US 6010512	A	04-01-2000	US 5846248 A	08-12-1998
			US 6171315 B1	09-01-2001
			US 2001000348 A1	19-04-2001
			CA 2217870 A1	17-10-1996
			EP 0830086 A1	25-03-1998
			JP 11503631 T	30-03-1999
			WO 9632069 A1	17-10-1996
<hr/>				
US 5411508	A	02-05-1995	US 5197649 A	30-03-1993
			AU 661053 B2	13-07-1995
			AU 2724592 A	06-05-1993
			AU 3424995 A	01-02-1996
			CA 2081239 A1	30-04-1993
			EP 0540010 A2	05-05-1993
			JP 5337122 A	21-12-1993
<hr/>				
WO 9712555	A	10-04-1997	US 5702412 A	30-12-1997
			US 6068637 A	30-05-2000
			AU 7255796 A	28-04-1997
			EP 0915677 A2	19-05-1999
			EP 0956825 A2	17-11-1999
			JP 11514263 T	07-12-1999
			WO 9712555 A2	10-04-1997
<hr/>				
US 5697940	A	16-12-1997	US 5356416 A	18-10-1994
			US 5269789 A	14-12-1993
			US 6051003 A	18-04-2000
			CA 2174540 A1	11-05-1995
			EP 0724407 A1	07-08-1996
			JP 9503949 T	22-04-1997
			WO 9512355 A1	11-05-1995
			EP 0696900 A1	21-02-1996
			JP 8502198 T	12-03-1996
			WO 9408517 A1	28-04-1994
<hr/>				
US 4813928	A	21-03-1989	DE 3713623 A1	29-10-1987
			FR 2597743 A1	30-10-1987