

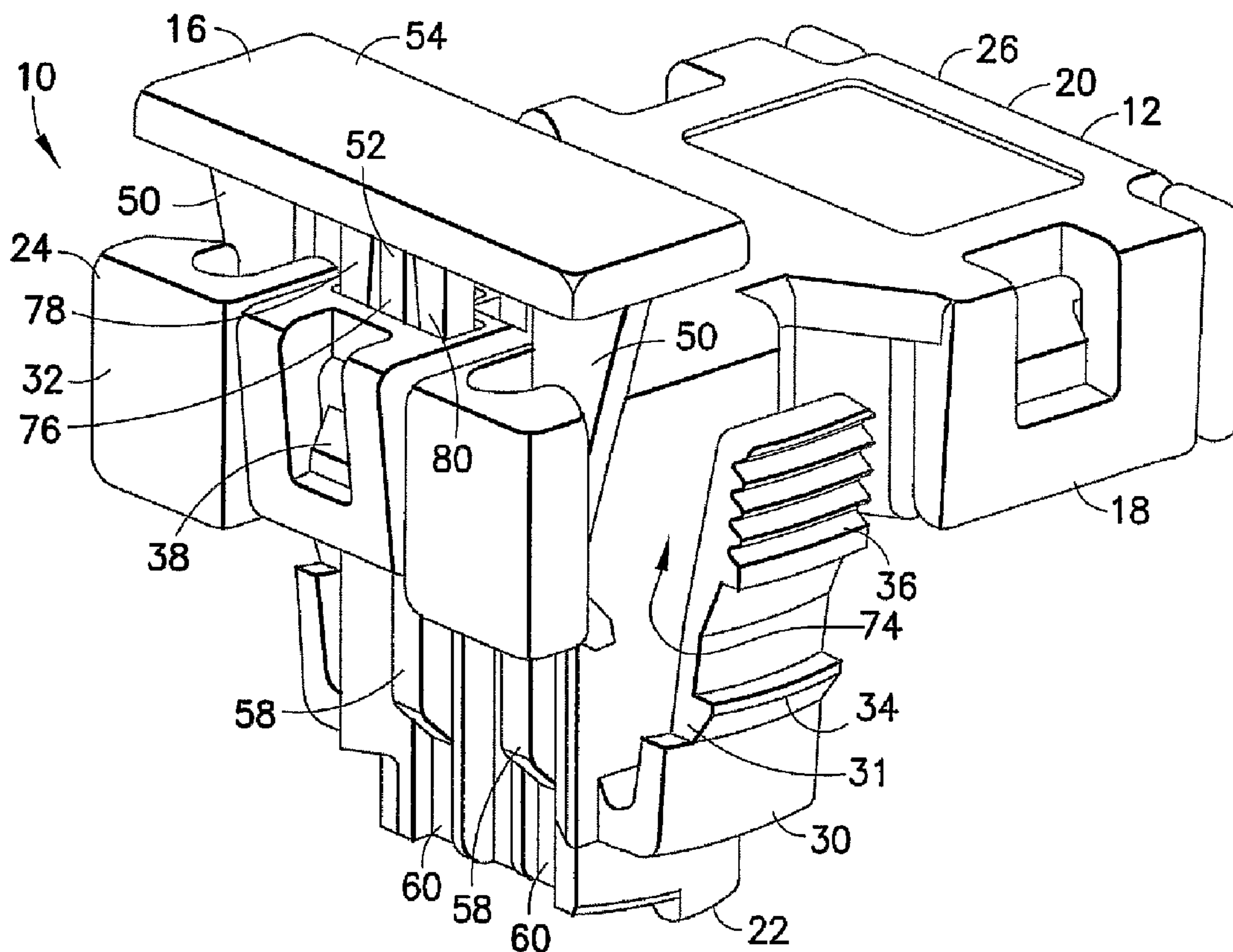


(86) Date de dépôt PCT/PCT Filing Date: 2004/01/20
 (87) Date publication PCT/PCT Publication Date: 2004/08/05
 (45) Date de délivrance/Issue Date: 2011/08/16
 (85) Entrée phase nationale/National Entry: 2005/07/05
 (86) N° demande PCT/PCT Application No.: US 2004/001602
 (87) N° publication PCT/PCT Publication No.: 2004/066445
 (30) Priorité/Priority: 2003/01/23 (US10/349,873)

(51) Cl.Int./Int.Cl. *H01R 13/641* (2006.01)
 (72) Inventeur/Inventor:
 BROWN, CECIL, US
 (73) Propriétaire/Owner:
 FCI AMERICAS TECHNOLOGY, INC., US
 (74) Agent: BCF LLP

(54) Titre : **CONNECTEUR ELECTRIQUE PRESENTANT UN ELEMENT D'ASSURANCE DE POSITION DE CONNECTEUR**

(54) Title: **ELECTRICAL CONNECTOR HAVING CONNECTOR POSITION ASSURANCE MEMBER**



(57) **Abrégé/Abstract:**

An electrical connector (10) including a housing (12) having a deflectable cantilevered mating connector latch arm (30) and a connector position assurance (CPA) member (16) movably mounted to the housing between an open position and a closed

(57) **Abrégé(suite)/Abstract(continued):**

position. The CPA member comprising a top section (54) and two downwardly extending rails (58). Each rail has a bottom end adapted to contact a shorting clip of a mating electrical connector and move the shorting clip off of connection with contacts of the mating electrical connector.

(12) INTERNATIONAL APPLICATION PUBLISHED UNDER THE PATENT COOPERATION TREATY (PCT)

(19) World Intellectual Property
Organization
International Bureau



(43) International Publication Date
5 August 2004 (05.08.2004)

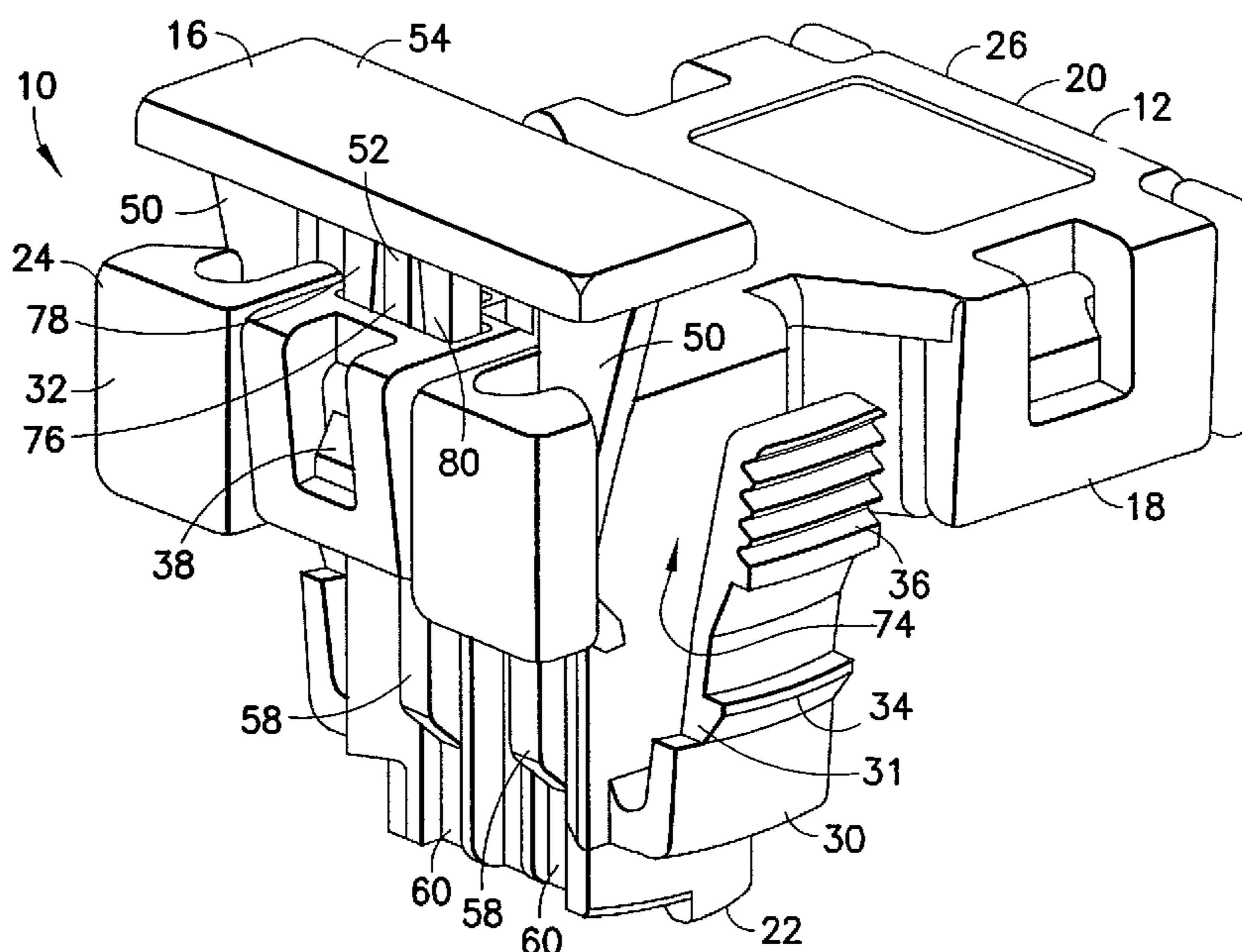
PCT

(10) International Publication Number
WO 2004/066445 A3

- (51) International Patent Classification⁷: **H01R 29/00**
- (21) International Application Number: PCT/US2004/001602
- (22) International Filing Date: 20 January 2004 (20.01.2004)
- (25) Filing Language: English
- (26) Publication Language: English
- (30) Priority Data:
10/349,873 23 January 2003 (23.01.2003) US
- (71) Applicant (for AG, BB, BR, BZ, CA, CO, CR, CU, DM, EC, GD, LC, MX, NI, TT, VC only): **FCI AMERICAS TECHNOLOGY, INC.** [US/US]; One East First Street, Reno, NV 89501 (US).
- (71) Applicant (for all designated States except AG, BB, BR, BZ, CA, CO, CR, CU, DM, EC, GD, LC, MX, NI, US, VC): **FCI** [FR/FR]; 145/147 rue Yves Le Coz, F-78000 Versailles (FR).
- (72) Inventor; and
- (75) Inventor/Applicant (for US only): **BROWN, Cecil** [US/US]; 12762 Marlowe Street, Detroit, MI 48227 (US).
- (74) Agent: **HARRINGTON, Mark, F.**; Harrington & Smith, LLP, 4 Research Drive, Shelton, CT 06484-6212 (US).
- (81) Designated States (unless otherwise indicated, for every kind of national protection available): AE, AG, AL, AM, AT, AU, AZ, BA, BB, BG, BR, BW, BY, BZ, CA, CH, CN, CO, CR, CU, CZ, DE, DK, DM, DZ, EC, EE, EG, ES, FI, GB, GD, GE, GH, GM, HR, HU, ID, IL, IN, IS, JP, KE, KG, KP, KR, KZ, LC, LK, LR, LS, LT, LU, LV, MA, MD, MG, MK, MN, MW, MX, MZ, NA, NI, NO, NZ, OM, PG, PH, PL, PT, RO, RU, SC, SD, SE, SG, SK, SL, SY, TJ, TM, TN, TR, TT, TZ, UA, UG, US, UZ, VC, VN, YU, ZA, ZM, ZW.
- (84) Designated States (unless otherwise indicated, for every kind of regional protection available): ARIPO (BW, GH, GM, KE, LS, MW, MZ, SD, SL, SZ, TZ, UG, ZM, ZW), Eurasian (AM, AZ, BY, KG, KZ, MD, RU, TJ, TM), European (AT, BE, BG, CH, CY, CZ, DE, DK, EE, ES, FI, FR, GB, GR, HU, IE, IT, LU, MC, NL, PT, RO, SE, SI, SK, TR), OAPI (BF, BJ, CF, CG, CI, CM, GA, GN, GQ, GW, ML, MR, NE, SN, TD, TG).
- Published:
— with international search report

[Continued on next page]

(54) Title: ELECTRICAL CONNECTOR HAVING CONNECTOR POSITION ASSURANCE MEMBER



(57) Abstract: An electrical connector (10) including a housing (12) having a deflectable cantilevered mating connector latch arm (30) and a connector position assurance (CPA) member (16) movably mounted to the housing between an open position and a closed position. The CPA member comprising a top section (54) and two downwardly extending rails (58). Each rail has a bottom end adapted to contact a shorting clip of a mating electrical connector and move the shorting clip off of connection with contacts of the mating electrical connector.

WO 2004/066445 A3

WO 2004/066445 A3



(88) Date of publication of the international search report:
2 June 2005

For two-letter codes and other abbreviations, refer to the "Guidance Notes on Codes and Abbreviations" appearing at the beginning of each regular issue of the PCT Gazette.

**Electrical Connector Having Connector Position
Assurance Member**

BACKGROUND OF THE INVENTION

5

1. Field of the Invention

The present invention relates to electrical connectors and, more particularly, to an electrical connector having a connector
10 position assurance (CPA) member.

2. Brief Description of Prior Developments

Electrical connectors for use with vehicle air bag gas generators
15 are generally well known in the art. U.S. Patent No. 6,364,683 discloses an electrical connector for a gas generator which includes a locking device that can move a shorting clip off of electrical connection with electrical contacts in a mating electrical connector.

20

There is a desire to make vehicle air bag gas generator electrical connectors very small such that they can be used in areas of limited space, such as in a seat belt, and that are lightweight for vehicle fuel economy reasons. However, in making
25 such electrical contacts smaller, it is difficult to determine if the electrical connector is properly installed in a mating connector. In the past, tactile feel and audible sounds during connection of the two connectors could be used as an indicator for the installer that a proper connection was made. However,
30 with smaller size electrical connectors, there is not enough tactile feel or audible sound during connection to be a dependable source of good connection indication. Thus, there is a need for a dependable system for small electrical connectors to indicate connection to a mating connector which does not depend
35 upon an audible or tactile signal to the user.

SUMMARY OF THE INVENTION

In accordance with one aspect of the present invention, there is
5 provided an electrical connector comprising: a housing having a
deflectable cantilevered mating connector latch arm, wherein the
latch arm is movable between a latched position and an unlatched
position; electrical contacts connected to the housing; and a
10 connector position assurance (CPA) member movably mounted to the
housing between an open position and a closed position, the CPA
member comprising a top section and two downwardly extending
rails slidably located in grooves of the housing at a front side
of the housing, each rail having a bottom end adapted to contact
15 a shorting clip of a mating electrical connector and move the
shorting clip off of connection with contacts of the mating
electrical connector, wherein a first one of the rails comprises
a wedge surface and a detent locating surface, wherein the wedge
surface is adapted to be contacted by the mating electrical
20 connector to deflect the first rail, and when the CPA member is
moved to the closed position, the detent locating surface is
adapted to be positioned below a detent surface of the housing to
retain the CPA member in the closed position.

In accordance with a second aspect of the present invention,
25 there is provided a method of assuring a position of an
electrical connector in a mating connector comprising steps of:
inserting a portion of the electrical connector into the mating
connector, the electrical connector comprising a housing and a
connector position assurance (CPA) member movably mounted to the
30 housing, the CPA member comprising a top section and two
downwardly extending rails slidably located in grooves of the
housing at a front side of the housing, each rail having a bottom
end adapted to contact a shorting clip of a mating electrical
connector and move the shorting clip off of connection with
35 contacts of the mating electrical connector; deflecting a section

of a first one of the rails of the CPA member from a home position by contact of the section with a housing of the mating connector as the CPA member is inserted into the mating connector; and moving the CPA member of the electrical connector
5 from an open position on the housing of the electrical connector towards a closed position, wherein the step of moving comprises allowing the section of the first rail to deflect back to the home position and, as the first rail is deflected back to the home position, locating a detent section of the first rail below
10 a detent portion of the housing of the electrical connector to retain the CPA member in the closed position.

In accordance with a third aspect of the present invention, there is provided an electrical connector comprising: a housing having
15 a main body and a first mating connector latch arm on a lateral side of the main body, wherein the first latch arm comprises a deflectable cantilevered arm extending in an upward direction, wherein a gap is provided between the main body and the first latch arm, and wherein the first latch arm is movable between a
20 home latched position and an inwardly deflected unlatched position; electrical contacts connected to the housing; and a connector position assurance (CPA) member movably mounted to the housing between an open position and a closed position, the CPA member comprising a deflectable cantilevered section extending in
25 a downward direction, wherein the deflectable cantilevered section is deflectable in a direction towards the gap between the main body and the first latch arm, and wherein the deflectable cantilevered section comprises a portion adapted to extend into the gap when the first latch arm is at the home latched position
30 and is adapted to be prevented from extending into the gap when the first latch arm is at the unlatched position.

In accordance with a fourth aspect of the present invention, there is provided an electrical connector comprising: a housing
35 having a main body and a first mating connector latch arm on a

lateral side of the main body, wherein the first latch arm comprises a deflectable cantilevered arm extending in an upward direction, wherein a gap is provided between the main body and the first latch arm, and wherein the first latch arm is movable
5 between a home latched position and an inwardly deflected unlatched position; electrical contacts connected to the housing; and a connector position assurance (CPA) member movably mounted to the housing between an open position and a closed position, the CPA member comprising a deflectable cantilevered section
10 extending in a downward direction, wherein the deflectable cantilevered section comprises a cam surface adapted to be contacted by a mating electrical connector when inserted into the mating electrical connector and deflected by the mating electrical connector towards the gap between the main body and
15 the latch arm, the CPA member further comprises a detent and retaining section for retaining the CPA member at the open or closed positions until positively moved by a user, the deflectable cantilevered section comprises a portion adapted to extend into the gap when the first latch arm is at the home
20 latched position and is adapted to be prevented from extending into the gap when the first latch arm is at the unlatched position.

In accordance with another aspect of the present invention, there
25 is provided an electrical connector comprising: a housing having a deflectable cantilevered mating connector latch arm, wherein the latch arm is movable between a latched position and an unlatched position; electrical contacts connected to the housing; and a connector position assurance (CPA) member movably mounted
30 to the housing between an open position and a closed position, the CPA member comprising a top section and a downwardly extending section extending down from the top section, the downwardly extending section comprising two downwardly extending rails, wherein the rails are slidably located on the housing, the
35 downwardly extending section comprises a bottom section at bottom

ends of the rails which is adapted to contact a shorting clip of a mating electrical connector and move the shorting clip off of connection with contacts of the mating electrical connector, and the bottom section of the downwardly extending section comprises
5 an end portion connecting the bottom ends of the rail to each other.

In accordance with a sixth aspect of the present invention, there is provided a method of assuring a position of an electrical
10 connector in a mating connector comprising steps of: inserting a portion of the electrical connector into the mating connector, the electrical connector comprising a housing and a connector position assurance (CPA) member movably mounted to the housing, the CPA member comprising a top section and a downwardly
15 extending rail slidably located on the housing; deflecting a section of the CPA member from a home position by contact of the section with a housing of the mating connector as the CPA member is inserted into the mating connector; moving the CPA member of the electrical connector from an open position on the housing of
20 the electrical connector towards a closed position, wherein the step of moving comprises deflecting an interference portion of the CPA member into a gap between a latch of the housing of the electrical connector and a main section of the housing of the electrical connector to prevent the latch from being moved from a
25 latching position to an unlatched position; and preventing the interference portion from extending into the gap when the latch is at the unlatched position.

In accordance with a still further aspect of the present
30 invention, there is provided a method of assuring a position of an electrical connector in a mating connector comprising steps of: inserting a portion of the electrical connector into the mating connector, the electrical connector comprising a housing and a connector position assurance (CPA) member movably mounted
35 to the housing, the CPA member comprising a top section and two

downwardly extending rails slidably located on the housing;
deflecting a section of the CPA member from a home position by
contact of the section with a housing of the mating connector as
the CPA member is inserted into the mating connector; moving the
5 CPA member of the electrical connector from an open position on
the housing of the electrical connector towards a closed
position, wherein the step of moving comprises at least one
bottom portion of the CPA member at bottom ends of the rails
contacting a shorting clip of the mating connector and moving the
10 shorting clip off of connection with contacts of the mating
connector, wherein the step of moving comprises deflecting an
interference portion of the CPA member into a gap between a latch
of the housing of the electrical connector and a main section of
the housing of the electrical connector to prevent the latch from
15 being moved from a latching position to an unlatched position;
and preventing the interference portion from extending into the
gap when the latch is at the unlatched position.

BRIEF DESCRIPTION OF THE DRAWINGS

20

The foregoing and other objects, advantages and features of the
present invention will become more apparent upon reading of the
following non restrictive description of illustrative embodiments
thereof, given by way of example only with reference to the
25 accompanying drawings, wherein:

30

Fig. 1 is a perspective view of an electrical connector
incorporating features of the present invention having a CPA
member located in an open position;

Fig. 2 is a cross sectional view of the electrical connector
shown in Fig. 1;

Fig. 3 is a cross sectional view of the electrical connector
35 shown in Fig. 2 taken along line 3-3;

Fig. 4 is a cross sectional view of the connector shown in Fig. 2 taken along line 4-4;

5

Fig. 5 is a perspective view of the electrical connector as shown in Fig. 1 with the CPA member located in its closed position;

Fig. 6 is a cross sectional view of the electrical connector shown in Fig. 5;

10

Fig. 7 is a cross sectional view of the electrical connector shown in Fig. 6 taken along line 7-7;

Fig. 8 is a partial schematic view of some of the components of the electrical connector shown in Fig. 1 when being inserted into the mating electrical connector;

15

Fig. 9 is a partial schematic view as in Fig. 8 showing the CPA member partially moved from its open position towards its closed position;

20

Fig. 10 is a partial cross sectional view of one of the rails of the electrical connector shown in Fig. 1 and a shorting clip and contact of a mating electrical connector with the rail of the CPA member located in its open position;

25

Fig. 11 is a partial cross sectional view as in Fig. 10 with the rail of the CPA member located in its closed position;

30

Fig. 12 is an exploded perspective view of an alternate embodiment of the present invention;

Fig. 13 is an enlarged partial cross sectional view of the housing and CPA member shown in Fig. 12;

35

Fig. 14 is a perspective view of another alternate embodiment of the present invention;

Fig. 15 is a perspective view of the CPA member of the connector shown in Fig. 14 and a shorting clip that contacts pins of a mating electrical connector;

Fig. 16 is a partial cross sectional view of the electrical connector shown in Fig. 14 with the CPA member in an open position and the electrical connector not fully inserted into the mating electrical connector;

Fig. 17 is a partial cross sectional view as in Fig. 16 with the electrical connector fully inserted into the mating electrical connector, but the CPA member still located in an open position; and

Fig. 18 is a partial cross sectional view as in Figs. 16 and 17 with the electrical connector fully inserted into the mating electrical connector and the CPA member moved to its closed position.

DETAILED DESCRIPTION OF THE ILLUSTRATIVE EMBODIMENT

Referring to Fig. 1, there is shown a perspective view of an electrical connector 10 incorporating features of the present invention. Although the present invention will be described with reference to the exemplary embodiments shown in the drawings, it should be understood that the present invention can be embodied in many alternate forms of embodiments. In addition, any suitable size, shape or type of elements or materials could be used.

Referring also to Figs. 2-4, the electrical connector 10 generally comprises a housing 12, electrical contacts 14

(see Fig. 4), and a connector position assurance (CPA) member 16. The housing 12 generally comprises a main housing member 18 and a cover 20. The cover 20 is preferably snap lock mounted to the main housing member 18. In the embodiment shown the electrical connector 10 is a vehicle air bag gas generator electrical connector which is adapted to be attached to a mating electrical connector of a gas generator. The main housing member 18 comprises an end 22 which is sized and shaped to be removably inserted into a receiving area of the gas generator mating electrical connector. However, in alternate embodiments, features of the present invention could be used in any suitable type of electrical connector.

The housing 12 generally comprises the first section 24 and the second section 26. The first section 24 comprises contact receiving areas 28 (see Fig. 4), latch arms 30, and a detent and retaining section 32. The second section 26 is sized and shaped to receive ends of conductors, such as electrical wires (not shown) therein which are connected to the electrical contacts 14 inside the second section 26. In the embodiment shown, the second section 26 is located at a right angle to the first section 24. However, in an alternate embodiment, the electrical connector 10 might not be a right angle connector.

The main housing member 18 is preferably provided as a one-piece member and is preferably comprised of a molded plastic or polymer material. The latch arms 30 are located on two opposite lateral sides of the first section 24. The latch arms 30 extend upward and outward from the front end 22 in a general cantilever fashion.

Each latch arm 30 comprises a latch 34 and the finger contact section 36. A user can depress the latch arms 30 in inward directions to move the latches 34. The latch arms 30 can preferably resiliently snap lock mount with the mating electrical connector when the end 22 is inserted into the socket receiving area of the mating electrical connector.

The detent and retaining section 32 generally comprises a latch 38, a detent receiving area 40 having a detent protrusion 42, and retaining protrusions 44 having retaining surfaces 46. The latch 38 is snap lock attached to the cover 20. The detent receiving area 40 is sized and shaped to receive a portion of the CPA member therein. The detent protrusion 42 extends in an inward direction into the detent receiving area 40. The protrusion 42 comprises sloped top and bottom surfaces. The detent and retaining section 32 comprises two of the retaining protrusions 44, one on each side of the first section 24. The retaining protrusions 44 extend in reward directions.

The CPA member 16 is preferably a one-piece member comprised of a molded plastic or polymer material. The CPA member 16 is movably mounted to the housing 12 between an open position as shown in Figs. 1, 2 and 3, and a closed position as shown in Figs. 5, 6 and 7. The CPA member 16 generally comprises a first section 48, two second sections 50, a third section 52 and a fourth section 54. The fourth section 54 forms a top surface for the CPA member 16 for a user to press the CPA member from its open position to its closed position. The first section 48 is adapted to move a shorting clip 56 of a mating electrical connector (see Figs. 10 and 11).

In the embodiment shown, the first section 48 comprises two rails 58 which extend downward from the fourth section 54 and are slidable located in grooves 60 at the front of the main housing member 18. The bottom ends of the rails 58 are sloped to function as cam surfaces for moving portions of the shorting clip 56. More specifically, referring to Figs. 10 and 11, the mating electrical connector comprises pin contacts 63 (only one of which is shown). The shorting clip 56 contacts the two pin contacts 63 in order to electrically connect the two pin contacts 63 with each other. The shorting clip 56 is only moved away from the pin contacts 63 when the electrical connector 10 is mated with the mating electrical connector and the CPA member 16 is moved to its closed position.

Fig. 10 shows one of the rails 58 when the CPA member 16 is in its open position. As can be seen, even though the electrical connector 10 is attached to the mating electrical connector, the shorting clip 56 still electrically connects the contact pins 63 with each other. Fig 11 shows one of the rails 58 when the CPA member 16 is moved to its closed position. As can be seen, the bottom end of the rail 58 moves the shorting clip 56 to remove electrical connection between the shorting clip 56 and the pin contacts 63.

The second sections 50 are located at opposite lateral sides of the CPA member 16. The second sections 50 extend downward from the fourth section 54 in a general cantilever fashion. As seen best in Fig. 3, each second section 50 generally comprises a retaining section 62, a cam surface 64, and an interference portion 66. The retaining section 62 extends in a general forward

direction and comprises a retaining surface 68. With the CPA member 16 in its open position, the retaining surface 68 is located above the retaining surface 46 to prevent the CPA member 16 from being moved to its closed position.

The cam surface 64 is located at the bottom of the second section 50 and is adapted to contact a housing of the mating electrical connector as the CPA member 16 is moved from its open position to its closed position. More specifically, referring also to Figs. 8 and 9, when the electrical connector 10 is attached to the mating electrical connector and the CPA member 16 starts to be depressed by a user, the cam surface 64 rides against a portion of the housing 70 of the mating electrical connector. This causes the second section 50 to deflect in a general cantilevered fashion in a reward direction 72 as shown in comparing Fig. 8 to Fig. 9. This coming action causes the retaining section 62 to be moved away from the retaining section 44 such that the two retaining surfaces 46, 68 are separated from each other. This enables the CPA member 16 to be fully depressed to its closed position as shown in Fig. 7.

As noted above, the second section 50 also comprises an interference portion 66. The interference portion 66 extends in a general reward direction at the bottom end of the second section 50. The interference portion 66 is located in line with a gap 74 between the latch arm 30 and the main portion of the first section 24. More specifically, when the CPA member 16 is in its open position, the interference portions 66 of the two second sections 50 are located in front of the gaps 74.

When the electrical connector 10 is fully inserted into the mating electrical connector and the latch arms 30 are located in their latched positions, the interference portion 66 can move into the gaps 74 as illustrated in Fig. 5. However, if the electrical connector 10 is not fully inserted into the mating electrical connector the latch arms 30 will not be located at their latched positions. The latch arms 30 would be deflected inward towards the main body of the first section 24. Thus, the gaps 74 would be reduced. The reduced size of the gaps 74 prevent the interference portions 66 from entering the gaps 74. Instead, the interference portions 66 would contact the front sides of the latch arms 30. Thus, the latch arms 30 would block movement of the interference portions 66 in a rearward direction.

As can be seen with reference to Fig. 9, in order for the retaining surfaces 46, 68 to pass each other as the CPA member 16 is depressed, the interference portions 66 are deflected towards the gaps 74. The latch arms 30 each include a front notch 31 on their front side. The notches 31 allow the interference portions 66 to move towards the latch arms 30 while the latch arms 30 are still being moved downward in the mating connector (i.e., before the latch arms have been able to fully spring back outward towards their home positions). Thus, the notches 31 function as a temporary clearance area, but the latch arms 30 must be in their home outward positions (i.e., latched positions) in order for the CPA member 16 to be moved to a fully downward position.

When the latch arms 30 are not in their latched positions, the interference portions 66 contact the front surfaces of the latch arms 30 at the notches 31 and the

interference portions 66 are prevented from entering the gaps 74. Thus, the second sections 50 are prevented from being fully deflected to allow the retaining sections 44, 62 to disengage each other. Therefore, the two retaining sections 44, 62 engage each other to prevent the CPA member 16 from being moved to its closed position. The inability to move the CPA member 16 to its fully closed position immediately signals to the user that the electrical connector 10 is not fully inserted into the mating electrical connector.

The third section 52 comprises a latch detent section for retaining the CPA member 16 at either the open position or the closed position. In the embodiment shown, the third section 52 generally comprises a center guide member 76 and two latch arms 78, 80. The center guide member 76 and the latch arms 78, 80 extend downward from the fourth section 54 in a general cantilever fashion. The center guide member 76 and the latch arms 78, 80 extend through an aperture in the cover 20 and into the detent receiving area 40 of the main housing member 18. The two latch arms 78, 80 interact with the bottom surface of the cover 20 to prevent disconnection of the CPA member 16 from the electrical connector.

The center guide member 76 is slidably located in a groove 82 of the main housing member 18. The first latch arm 78 includes a detent section 84 which is located above the detent protrusion 42 when the CPA member 16 is in its open position. Referring also to Fig. 6, when the CPA member 16 is moved to its closed position, the first latch arm 78 is able to resiliently deflect inward and outward again such that the detent section 84 is now located below the detent protrusion 42. Once the CPA

member 16 is moved to its closed position, the detent system described above can help prevent the CPA member 16 from unintentionally moving back to its open position unless a user applies a sufficient amount of force.

5 After the electrical connector 10 is properly inserted into the mating electrical connector and the CPA member 16 is moved to its closed position, the CPA member 16 prevents the side latches 30 from being inwardly deflected to their unlatched positions. The interference
10 portions 66, located in the gaps 74, prevent the side latches 30 from being fully inwardly deflected. Thus, the CPA member 16 prevents the electrical connector 10 from being inadvertently unlatched from the mating electrical connector. The CPA member 16 must be moved to
15 its open position before the electrical connector 10 can be unlatched and disconnected from the mating electrical connector. This also insures that the shorting clip 56 is connected to the two contacts 63 before the contacts 14 of the electrical connector 10 are disconnected from
20 the contacts 63.

Referring now to Figs. 12 and 13, an alternate embodiment of the present invention is shown. In this embodiment the cover 20 is the same as that shown in the first embodiment. However, in this embodiment main housing
25 member 90 and the CPA member 92 are slightly different. The main housing member 90 includes a detent receiving area 94 with a detent protrusion 96. The detent protrusion 96 extends in a rearward direction from the front latching wall 98 of the main housing member 90.
30 The CPA member 92 has a center section 100 and two side sections 102 which extend downward from the top 104. The two side sections 102 are identical to the second

sections 50 shown in the first embodiment. The center section 100 comprises the two rails 58 and a front portion having a forward extending detent protrusion 106.

When the CPA member 92 is in its open position, the
5 detent protrusion 106 is located above the detent protrusion 96. When the CPA member 92 is moved towards its closed position, the detent protrusion 106 can be resiliently wedged inward by the detent protrusion 96 and the detent protrusion 106 can subsequently be located
10 below the detent protrusion 96 to retain the CPA member 92 in its closed position. Once the CPA member 92 is moved to its closed position, the detent system described above can help prevent the CPA member 92 from unintentionally moving back to its open position unless a
15 user applies a sufficient amount of force.

Referring now to Figs. 14-18, another alternate embodiment will be described. In this embodiment the electrical connector 110 includes a housing 112 and a CPA member 114. The housing 112 includes a main housing
20 member 116 and a cover 118. The CPA member 114 includes a top 120 and two rails 122, 124. The two rails 122, 124 comprise outwardly extending latch protrusions 126. The latch protrusions 126 are located below the cover 118 and prevent the CPA member 114 from being disconnected from
25 the housing 112. The second rail 124 also comprises two inward facing protrusions or projections 128, 130. The protrusions 128, 130 project from the first rail 128 in a direction towards the second rail 130. The first projection 128 has a general pyramid shaped cross
30 section. A space is provided between the rails 122, 124 for receiving a portion of the housing of the mating electrical connector.

The main housing member 116 includes a lateral facing receiving area 132 which is adapted to receive the second protrusion 130. In the open position, the second protrusion 130 is located above the receiving area 132 as indicated in Fig. 16. As indicated by comparing Fig. 16 to Figs. 17 and 18, in order to move the second protrusion 130 into the receiving area 132 a portion of the second rail 124 must be deflected laterally outward. In order to accomplish this, the second rail 124 uses the first protrusion 128 and its interaction with the housing 134 of the mating electrical connector. More specifically, as the electrical connector 110 is mounted to the mating electrical connector the housing 134 of the mating electrical connector contacts the bottom surface of the first protrusion 128 and deflects the rail 124 outward. The CPA member 114 can then be depressed to move the second protrusion 130 into the receiving area 132. The first protrusion 128 moves below the ledge 136 of the housing 134 for the rail 124 to straighten.

Without the housing 134 of the mating electrical connector deflecting the rail 124 outward, the second protrusion 130 would not be able to pass by the ledge 138 located above the receiving area 132. Thus, without the electrical connector 110 being mounted to the mating electrical connector, the CPA member 114 is prevented from moving from its open position to its closed position. As shown in Fig. 15, the rails 122, 124 also function to contact the shorting clip 56 to move the clip off of engagement with the contact pins 63 of the mating electrical connector similar to that described above in regard to the first embodiment. In one type of alternate

embodiment, the bottom ends of the rails 122, 124 could be connected to each other.

5 It should be understood that the foregoing description is only illustrative of the invention. Various alternatives and modifications can be devised by those skilled in the art without departing from the invention. Accordingly, the present invention is intended to embrace all such alternatives, modifications and 'variances which fall within the scope of the appended claims.

CLAIMS

What is claimed is:

1. An electrical connector comprising:

a housing having a deflectable cantilevered mating connector latch arm, wherein the latch arm is movable between a latched position and an unlatched position;

electrical contacts connected to the housing; and

a connector position assurance (CPA) member movably mounted to the housing between an open position and a closed position, the CPA member comprising a top section and two downwardly extending rails slidably located in grooves of the housing at a front side of the housing, each rail having a bottom end adapted to contact a shorting clip of a mating electrical connector and move the shorting clip off of connection with contacts of the mating electrical connector, wherein a first one of the rails comprises a wedge surface and a detent locating surface, wherein the wedge surface is adapted to be contacted by the mating electrical connector to deflect the first rail, and when the CPA member is moved to the closed position, the detent locating surface is adapted to be positioned below a detent surface of the housing to retain the CPA member in the closed position.

2. An electrical connector as in claim 1 wherein the wedge surface is located on a first projection extending from the first rail in a direction towards a second one of the rails.

3. An electrical connector as in claim 2 wherein the projection has a general pyramid shaped cross section.

4. An electrical connector as in claim 2 wherein the detent locating surface comprises a second projection extending in the same direction as the first projection.

5. An electrical connector as in claim 4 wherein the detent locating surface of the housing comprises a portion of the housing having a lateral facing receiving area for receiving the second projection.

6. An electrical connector as in claim 1 wherein the first rail is adapted to be deflected in an outward direction by the mating electrical connector.

7. An electrical connector as in claim 1 wherein the electrical connector comprises a space between the rails for receiving a portion of a housing of the mating electrical connector.

8. An electrical connector as in claim 1 wherein the rails each comprised latch protrusions for movably latching the CPA member to the housing.

9. A method of assuring a position of an electrical connector in a mating connector comprising steps of:

inserting a portion of the electrical connector into the mating connector, the electrical connector comprising a housing and a connector position assurance (CPA) member movably mounted to the housing, the CPA member comprising a top section and two downwardly extending rails slidably located in grooves of the housing at a front side of the housing, each rail having a bottom end adapted to contact a shorting clip of a mating electrical connector and move the shorting clip off of connection with contacts of the mating electrical connector;

deflecting a section of a first one of the rails of the CPA member from a home position by contact of the section with a housing of the mating connector as the CPA member is inserted into the mating connector; and

moving the CPA member of the electrical connector from an open position on the housing of the electrical connector towards a closed position, wherein the step of moving comprises allowing the section of the first rail to deflect back to the home position and, as the first rail is deflected back to the home position, locating a detent section of the first rail below a detent portion of the housing of the electrical connector to retain the CPA member in the closed position.

10. A method as in claim 9 wherein the section of the first rail comprises a projection extending towards a second one of the rails, and the step of deflecting comprises deflecting the section in an outward direction.

11. A method as in claim 10 wherein the housing of the mating connector extends, at least partially, between the rails to deflect the section outward.

12. A method as in claim 9 wherein the step of locating the detent section of the first rail below a detent portion of the housing of the electrical connector comprises moving the detent section into a lateral facing receiving area of the housing of the electrical connector.

13. A method as in claim 9 further comprising the bottom ends of the rails contacting the shorting clip as the CPA member is moved to the closed position and moving the shorting clip off of connection with the contacts of the mating connector.

14. An electrical connector comprising:

a housing having a main body and a first mating connector latch arm on a lateral side of the main body, wherein the first latch arm comprises a deflectable cantilevered arm extending in an upward direction, wherein a gap is provided between the main body and the first latch arm, and wherein the first latch arm is movable between a home latched position and an inwardly deflected unlatched position;

electrical contacts connected to the housing; and

a connector position assurance (CPA) member movably mounted to the housing between an open position and a closed position, the CPA member comprising a

deflectable cantilevered section extending in a downward direction, wherein the deflectable cantilevered section is deflectable in a direction towards the gap between the main body and the first latch arm, and wherein the deflectable cantilevered section comprises a portion adapted to extend into the gap when the first latch arm is at the home latched position and is adapted to be prevented from extending into the gap when the first latch arm is at the unlatched position.

15. An electrical connector as in claim 14 wherein the housing comprises a second latch arm on an opposite side of the housing from the first latch arm.

16. An electrical connector as in claim 14 wherein the CPA member comprises a second deflectable cantilevered section, and wherein the two deflectable cantilevered sections extend in the downward direction at opposite lateral sides of the CPA member.

17. An electrical connector as in claim 14 wherein the portion of the deflectable cantilevered section comprises a distal free end of the deflectable cantilevered section.

18. An electrical connector as in claim 14 wherein the first latch arm comprises a temporary clearance notch on a front side of the first latch arm.

19. An electrical connector as in claim 14 wherein the deflectable cantilevered section comprises a cam surface adapted to be contacted by a mating electrical connector when inserted into the mating electrical connector and deflected

by the mating electrical connector towards the gap between the main body and the latch arm.

20. An electrical connector as in claim 14 wherein the CPA member further comprises a detent and retaining section for retaining the CPA member at an open or closed position until positively moved by a user.

21. An electrical connector as in claim 14 wherein the CPA member comprising a top section and a downwardly extending section extending down from the top section, the downwardly extending section comprising two downwardly extending rails, wherein the rails are slidably located on the housing, and wherein the downwardly extending section comprises a bottom end at a bottom end of the rails which is adapted to contact a shorting clip of a mating electrical connector and move the shorting clip off of connection with contacts of the mating electrical connector.

22. An electrical connector comprising:

a housing having a main body and a first mating connector latch arm on a lateral side of the main body, wherein the first latch arm comprises a deflectable cantilevered arm extending in an upward direction, wherein a gap is provided between the main body and the first latch arm, and wherein the first latch arm is movable between a home latched position and an inwardly deflected unlatched position;

electrical contacts connected to the housing; and

a connector position assurance (CPA) member movably mounted to the housing between an open position and a closed position, the CPA member comprising a deflectable cantilevered section extending in a downward direction, wherein the deflectable cantilevered section comprises a cam surface adapted to be contacted by a mating electrical connector when inserted into the mating electrical connector and deflected by the mating electrical connector towards the gap between the main body and the latch arm, the CPA member further comprises a detent and retaining section for retaining the CPA member at the open or closed positions until positively moved by a user, the deflectable cantilevered section comprises a portion adapted to extend into the gap when the first latch arm is at the home latched position and is adapted to be prevented from extending into the gap when the first latch arm is at the unlatched position.

23. An electrical connector as in claim 22 wherein the housing comprises a second latch arm on an opposite side of the housing from the first latch arm.

24. An electrical connector as in claim 22 wherein the CPA member comprises a second deflectable cantilevered section, and wherein the two deflectable cantilevered sections extend in the downward direction at opposite lateral sides of the CPA member.

25. An electrical connector as in claim 22 wherein the portion of the deflectable cantilevered section comprises a distal free end of the deflectable cantilevered section.

26. An electrical connector as in claim 22 wherein the first latch arm comprises a temporary clearance notch on a front side of the first latch arm.

27. An electrical connector as in claim 22 wherein the CPA member comprising a top section and a downwardly extending section extending down from the top section, the downwardly extending section comprising two downwardly extending rails, wherein the rails are slidably located on the housing, and wherein the downwardly extending section comprises a bottom end at a bottom end of the rails which is adapted to contact a shorting clip of a mating electrical connector and move the shorting clip off of connection with contacts of the mating electrical connector.

28. An electrical connector as in claim 22 wherein the detent and retaining section comprises a center section of the CPA member comprising a forward extending detent protrusion.

29. An electrical connector as in claim 28 wherein the housing comprises a rearward extending detent protrusion adapted to interact with the forward extending detent protrusion to retain the forward extending detent protrusion above or below the rearward extending detent protrusion.

30. An electrical connector as in claim 22 wherein the detent and retaining section comprises a rail of the CPA member having a protrusion adapted to be located above or below a ledge of the housing, wherein the protrusion is adapted to be moved into a receiving area below the ledge if the rail is deflected by a portion of a mating electrical connector.

31. An electrical connector as in claim 30 wherein the protrusion comprises an inwardly facing protrusion.

32. An electrical connector as in claim 31 wherein the CPA comprises a second rail, and wherein the inwardly facing protrusion projects towards the second rail.

33. An electrical connector comprising:
a housing having a deflectable cantilevered mating connector latch arm, wherein the latch arm is movable between a latched position and an unlatched position;
electrical contacts connected to the housing; and
a connector position assurance (CPA) member movably mounted to the housing between an open position and a closed position, the CPA member comprising a top section and a downwardly extending section extending down from the top section, the downwardly extending section comprising two downwardly extending rails, wherein the rails are slidably located on the housing, the downwardly extending section comprises a bottom section at bottom ends of the rails which is adapted to contact a shorting clip of a mating electrical connector and move the shorting clip off of connection with contacts of the mating electrical connector, and the bottom section of the downwardly extending section comprises an end portion connecting the bottom ends of the rail to each other.

34. An electrical connector as in claim 33 wherein the bottom section of the downwardly extending section comprises

the bottom ends of the two rails individually contacting the shorting clip.

35. A method of assuring a position of an electrical connector in a mating connector comprising steps of:

inserting a portion of the electrical connector into the mating connector, the electrical connector comprising a housing and a connector position assurance (CPA) member movably mounted to the housing, the CPA member comprising a top section and a downwardly extending rail slidably located on the housing;

deflecting a section of the CPA member from a home position by contact of the section with a housing of the mating connector as the CPA member is inserted into the mating connector;

moving the CPA member of the electrical connector from an open position on the housing of the electrical connector towards a closed position, wherein the step of moving comprises deflecting an interference portion of the CPA member into a gap between a latch of the housing of the electrical connector and a main section of the housing of the electrical connector to prevent the latch from being moved from a latching position to an unlatched position; and

preventing the interference portion from extending into the gap when the latch is at the unlatched position.

36. A method of assuring a position of an electrical connector in a mating connector comprising steps of:

inserting a portion of the electrical connector into the mating connector, the electrical connector comprising a housing and a connector position assurance (CPA) member movably mounted to the housing, the CPA member comprising a top section and two downwardly extending rails slidably located on the housing;

deflecting a section of the CPA member from a home position by contact of the section with a housing of the mating connector as the CPA member is inserted into the mating connector;

moving the CPA member of the electrical connector from an open position on the housing of the electrical connector towards a closed position, wherein the step of moving comprises at least one bottom portion of the CPA member at bottom ends of the rails contacting a shorting clip of the mating connector and moving the shorting clip off of connection with contacts of the mating connector, wherein the step of moving comprises deflecting an interference portion of the CPA member into a gap between a latch of the housing of the electrical connector and a main section of the housing of the electrical connector to prevent the latch from being moved from a latching position to an unlatched position; and

preventing the interference portion from extending into the gap when the latch is at the unlatched position.

1/12

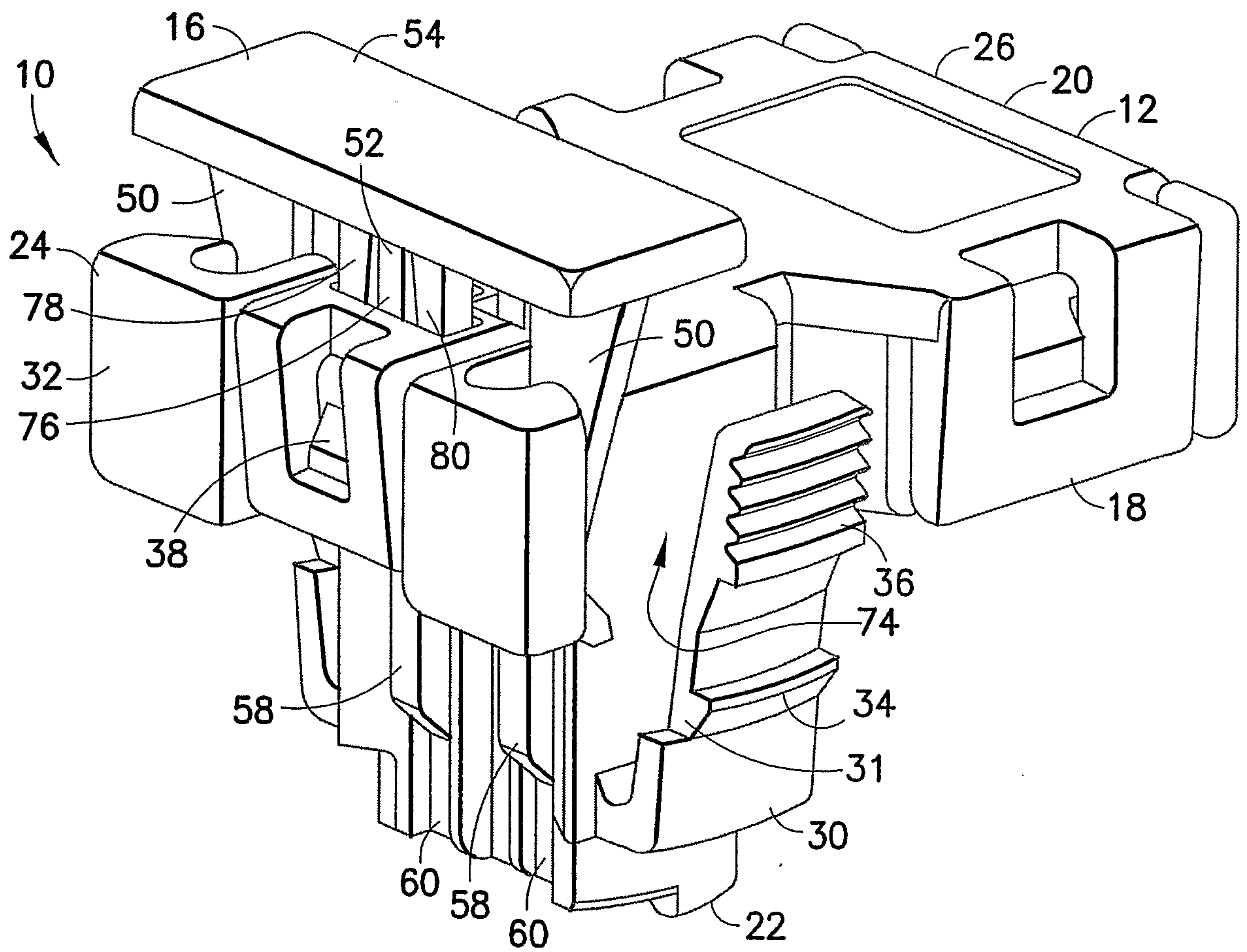


FIG. 1

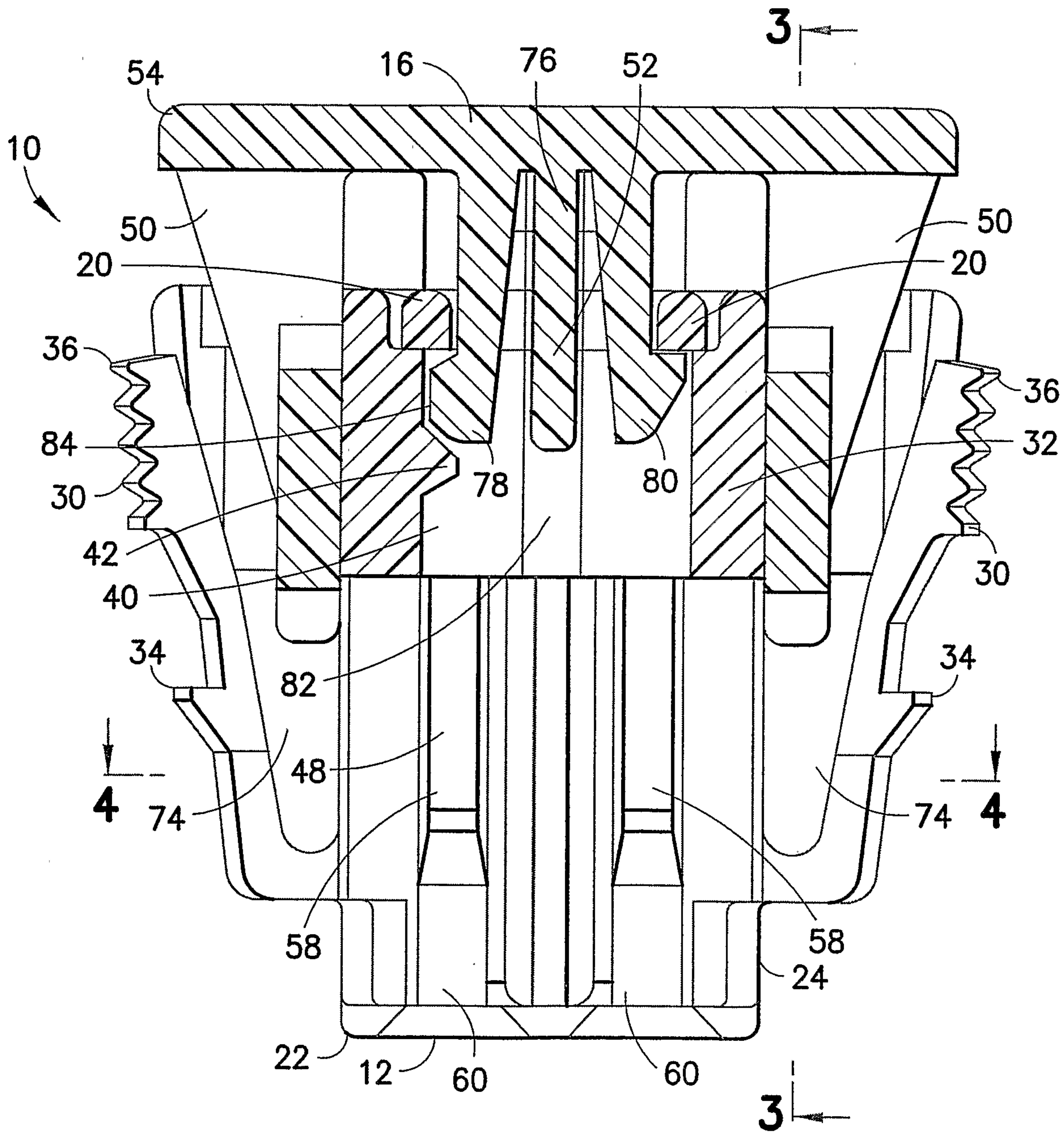


FIG. 2

3/12

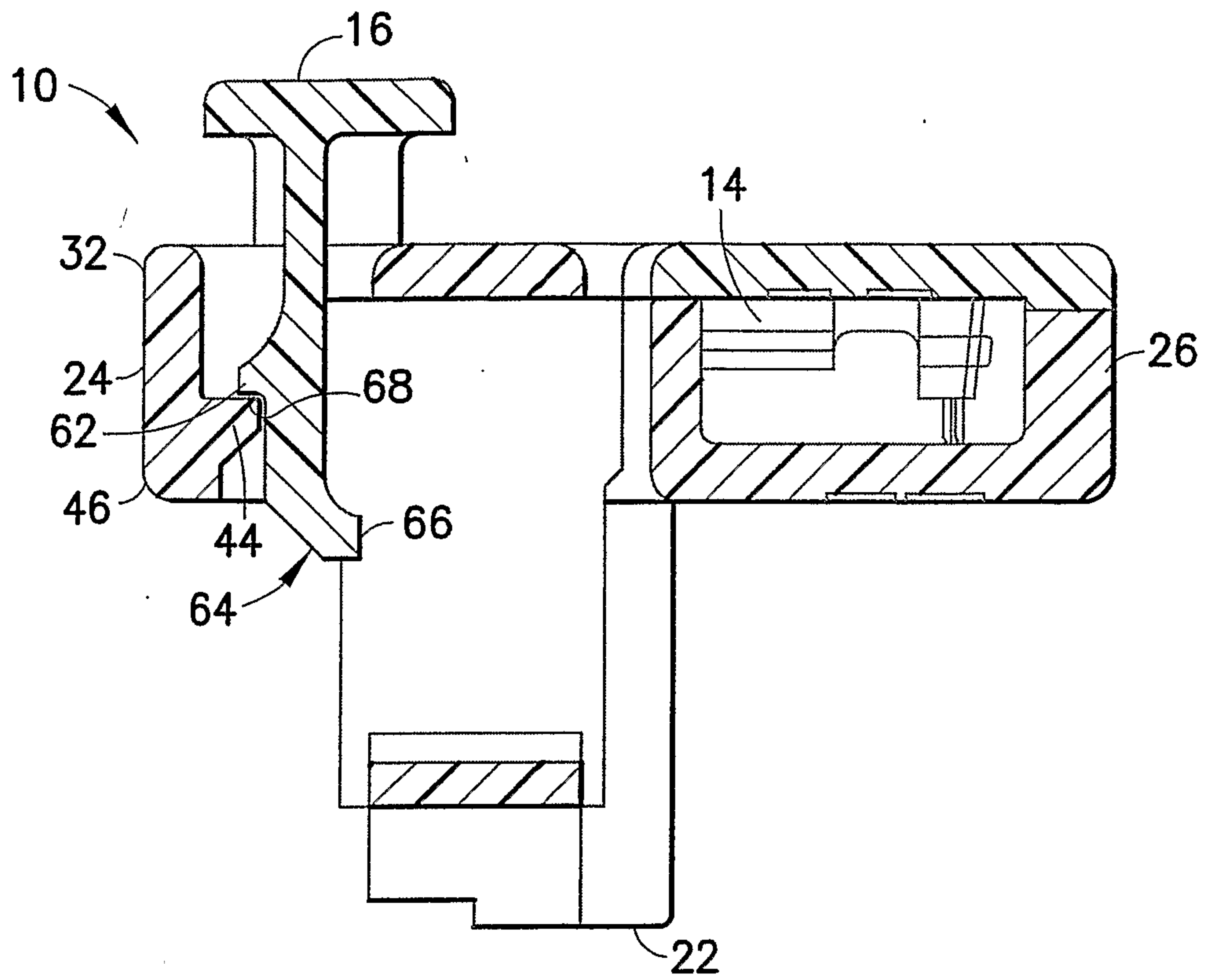


FIG. 3

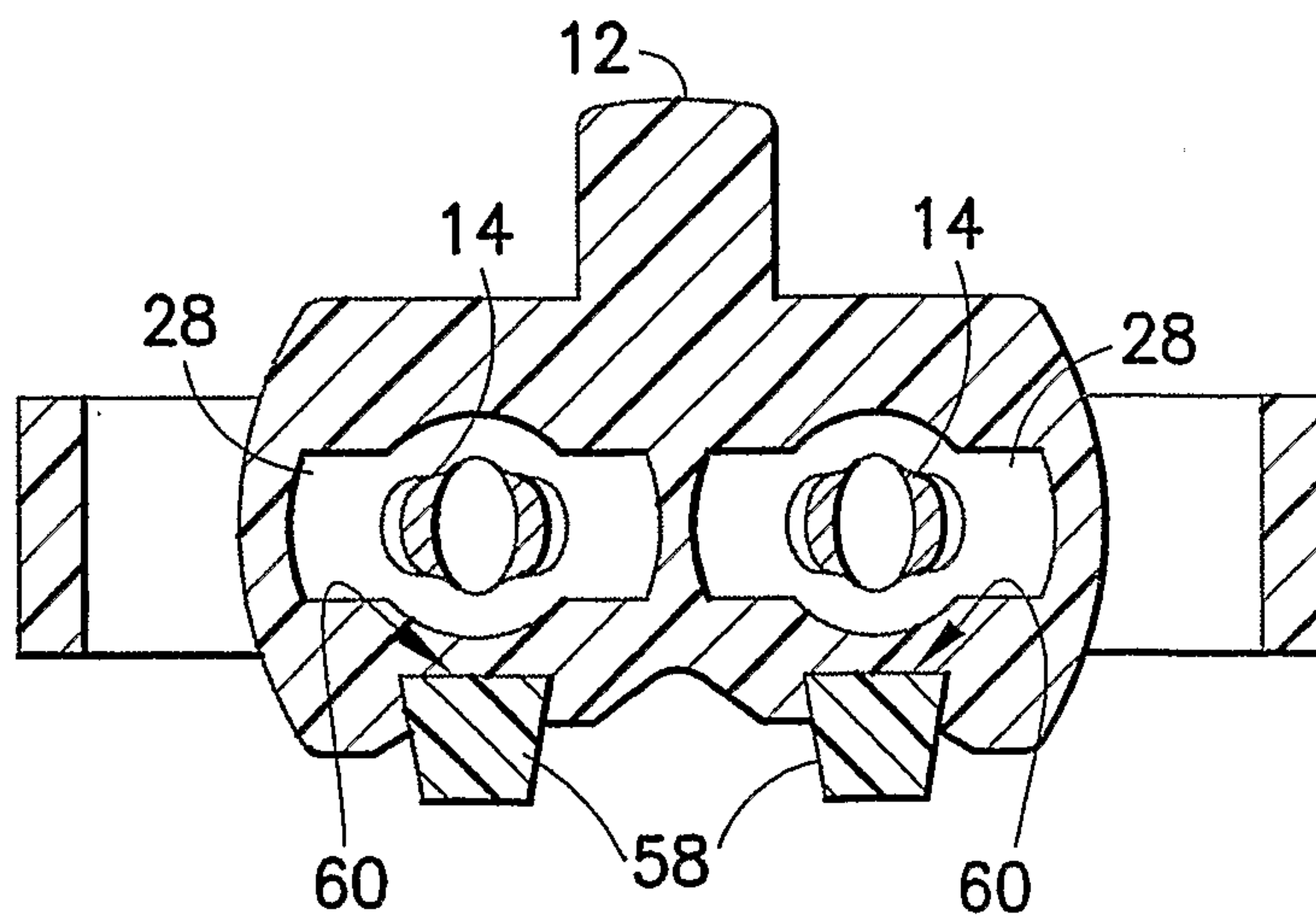


FIG. 4

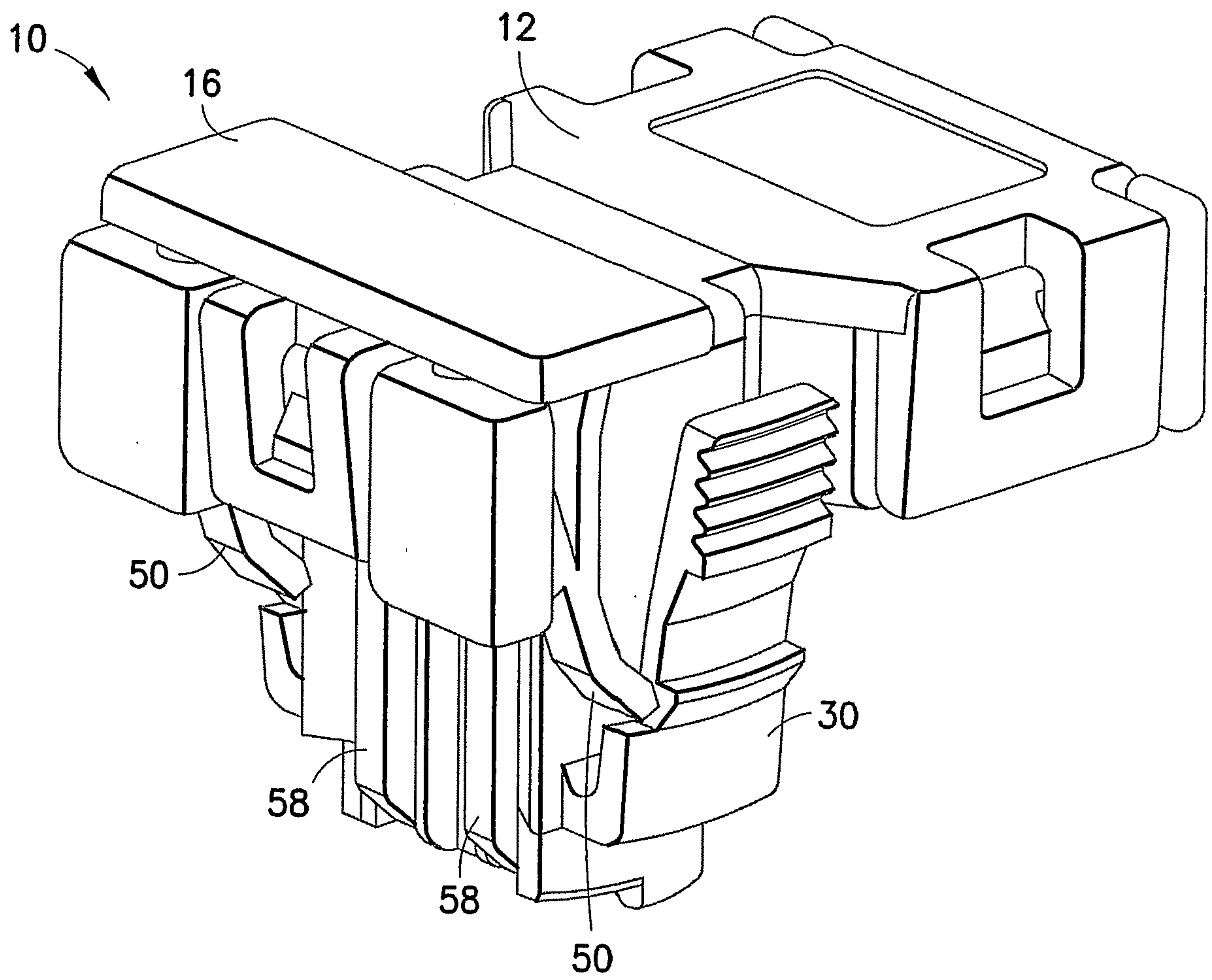


FIG.5

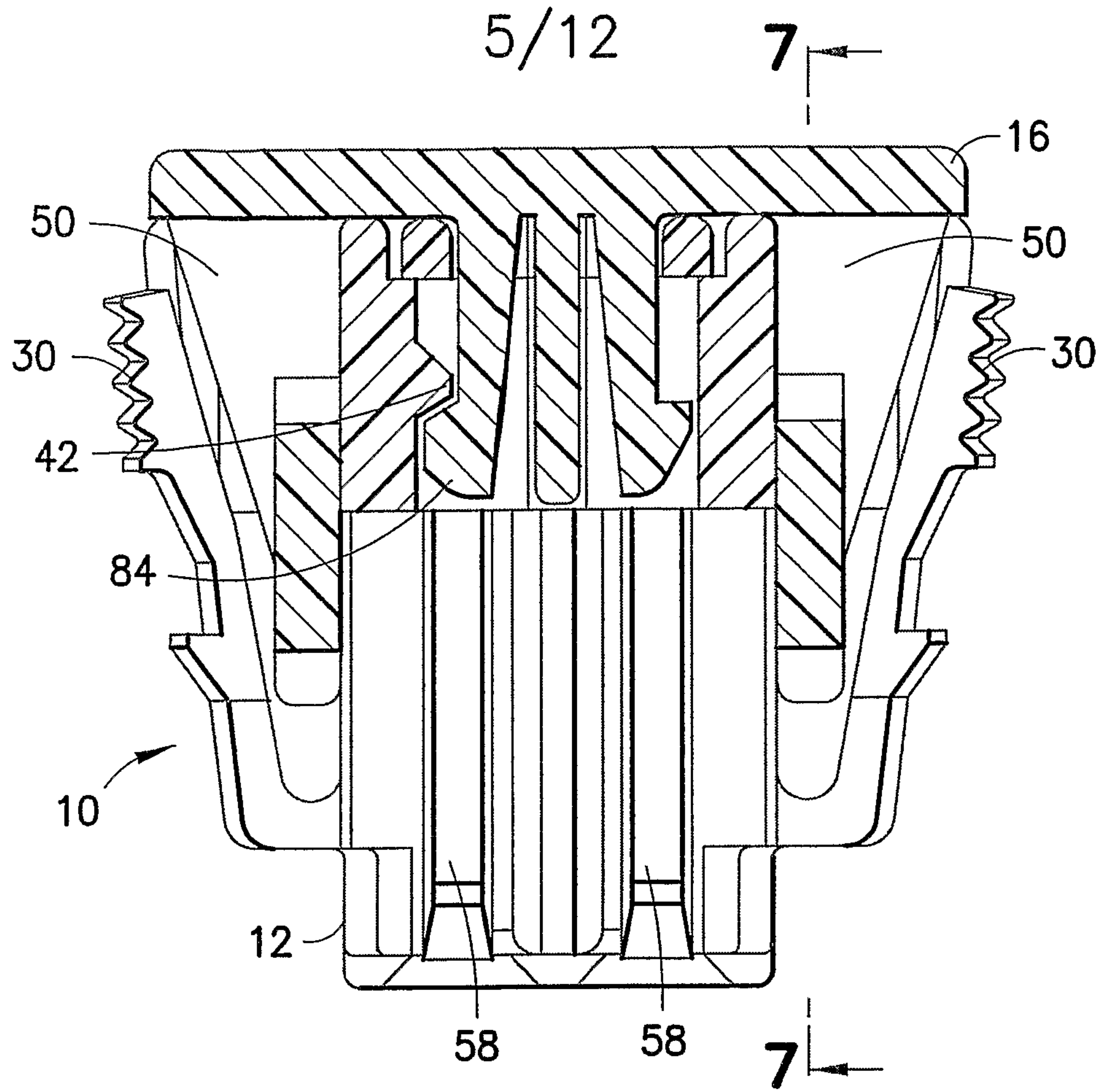


FIG. 6

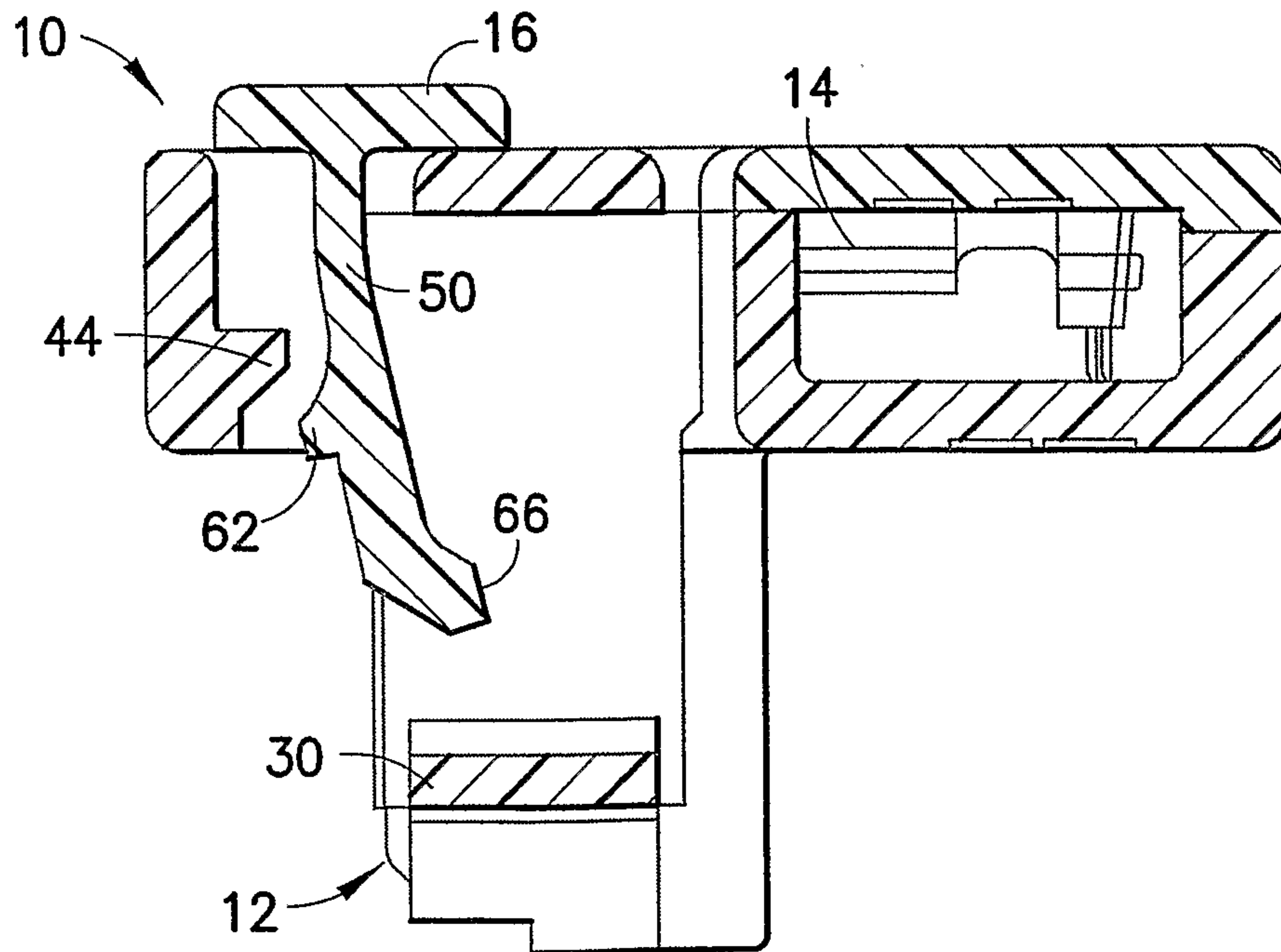


FIG. 7

6/12

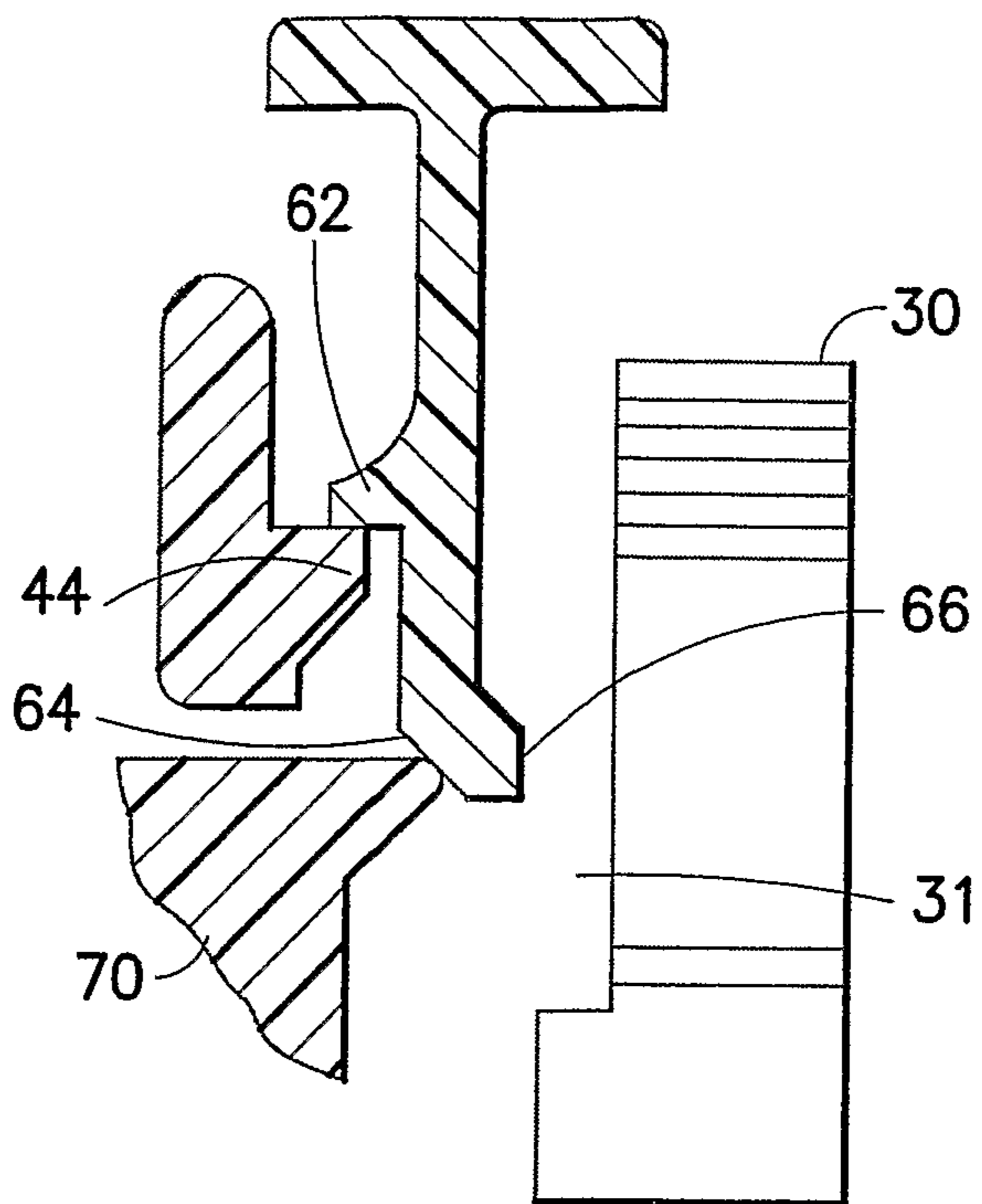


FIG. 8

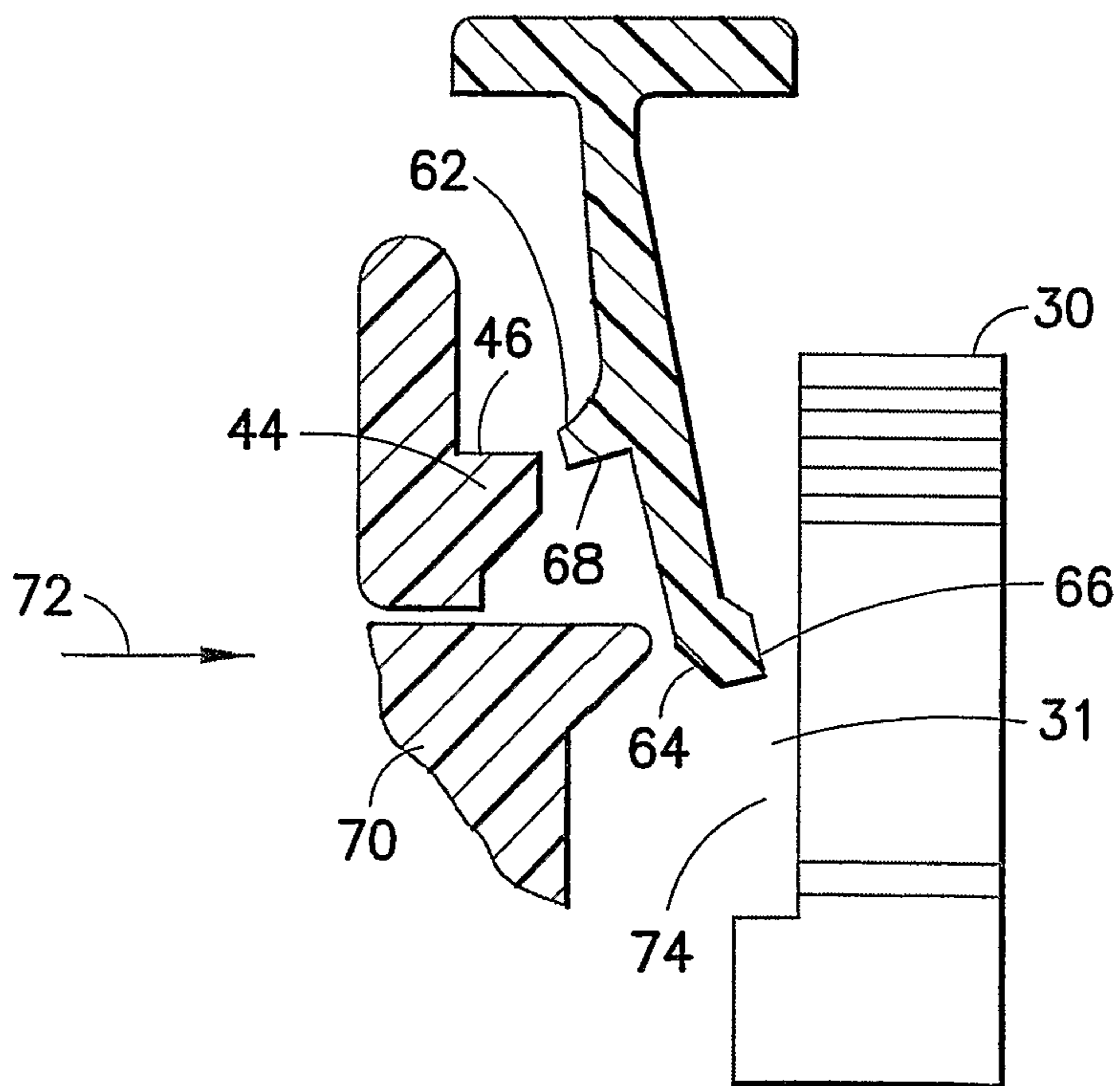


FIG. 9

7/12

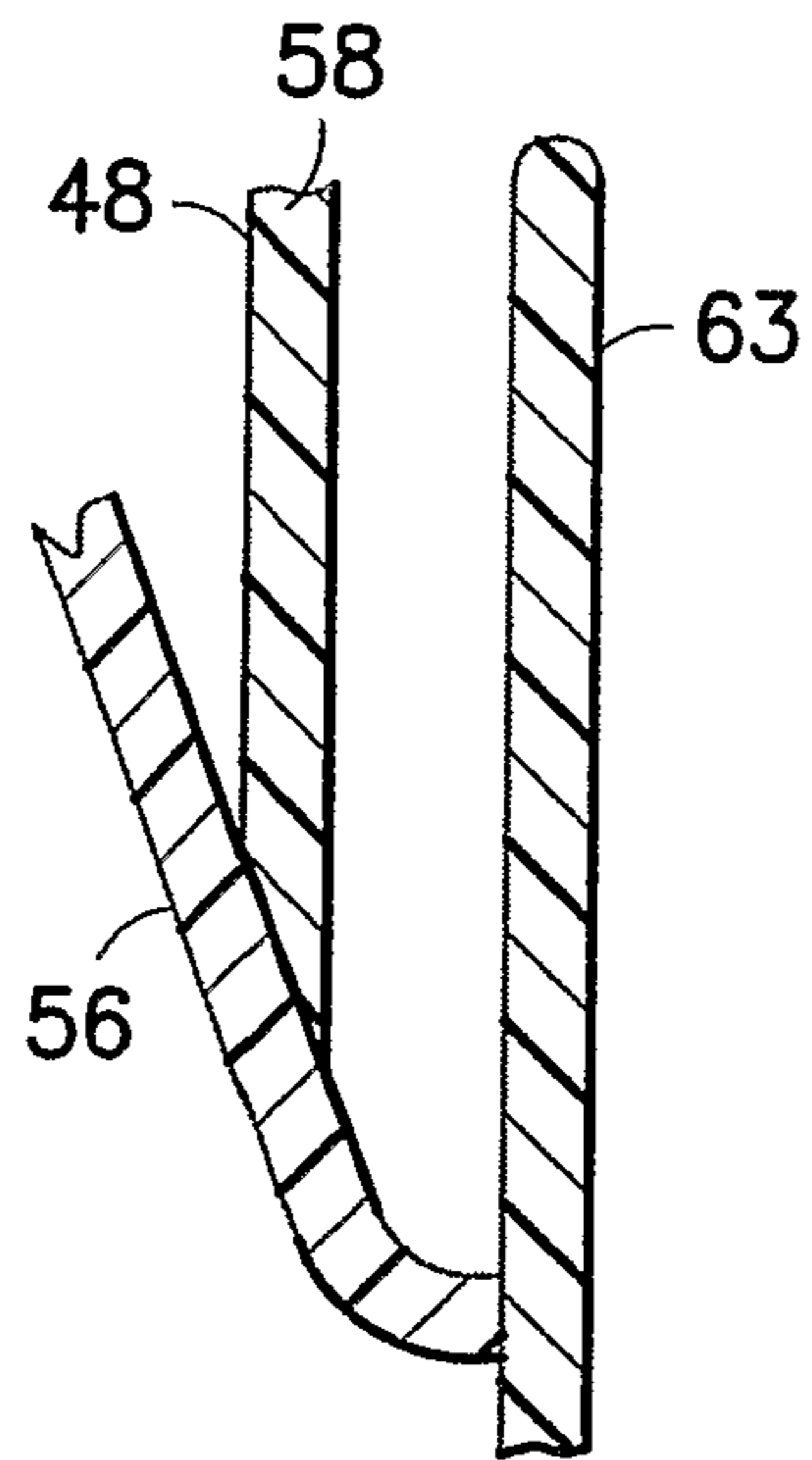


FIG. 10

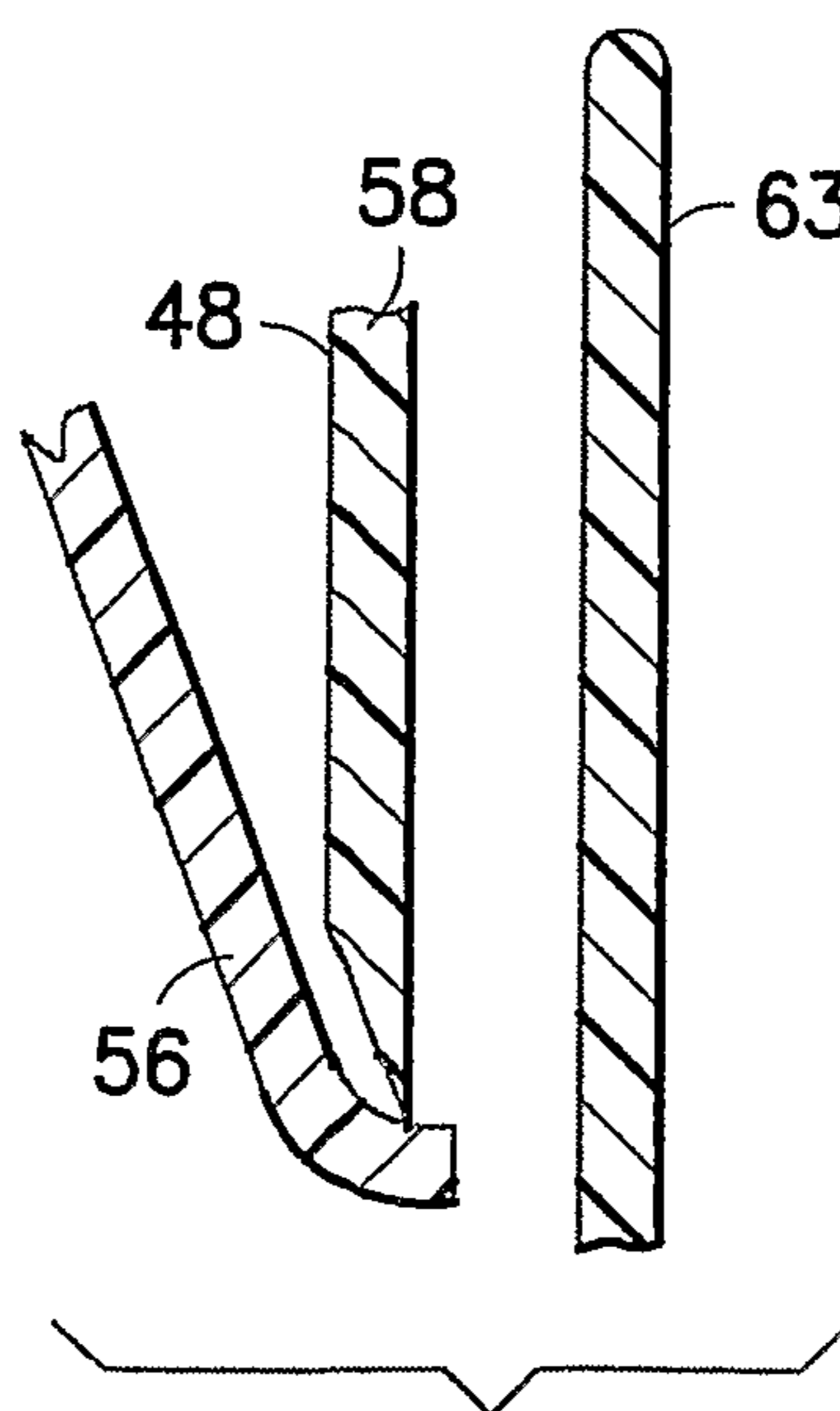


FIG. 11

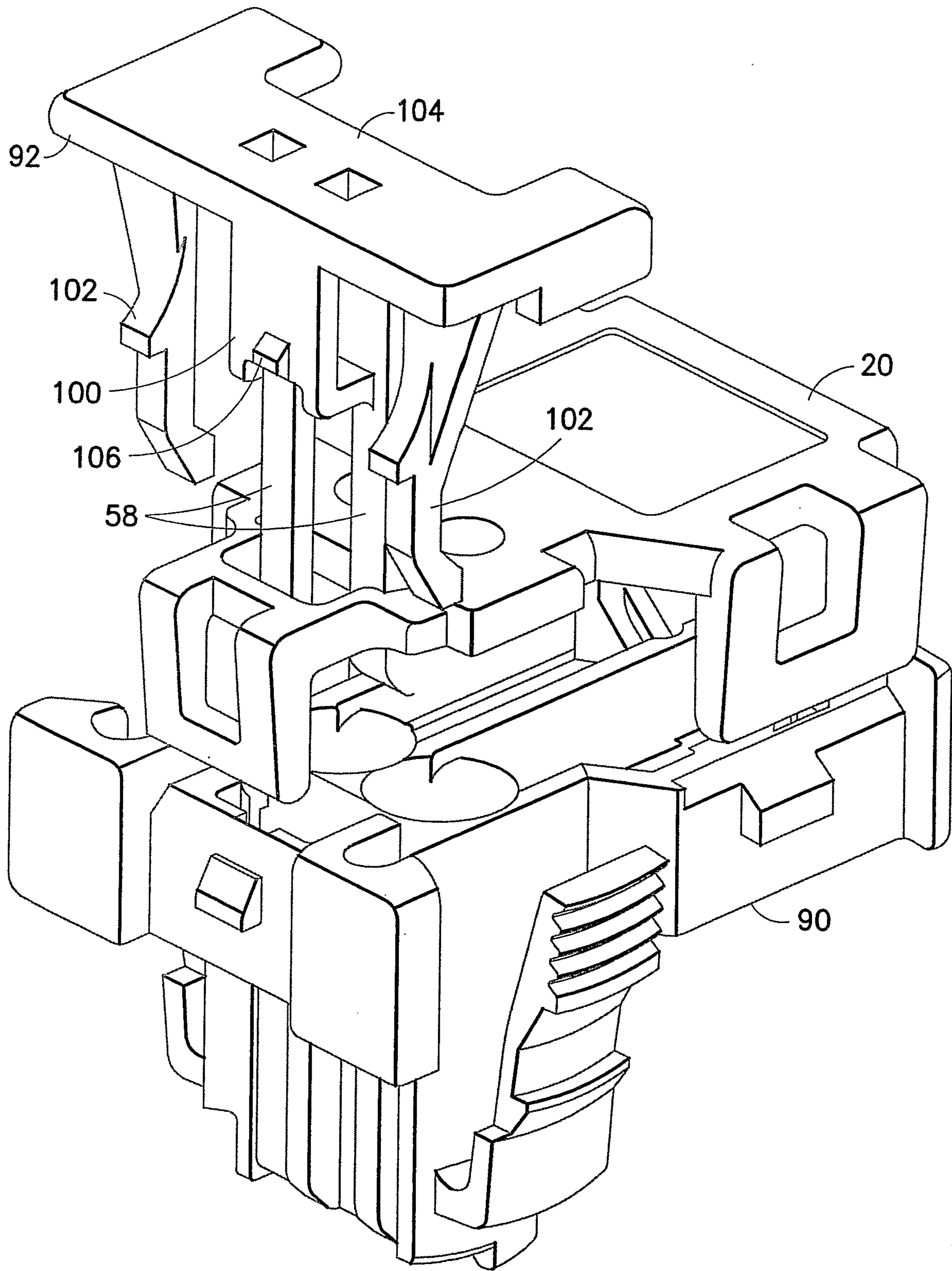


FIG.12

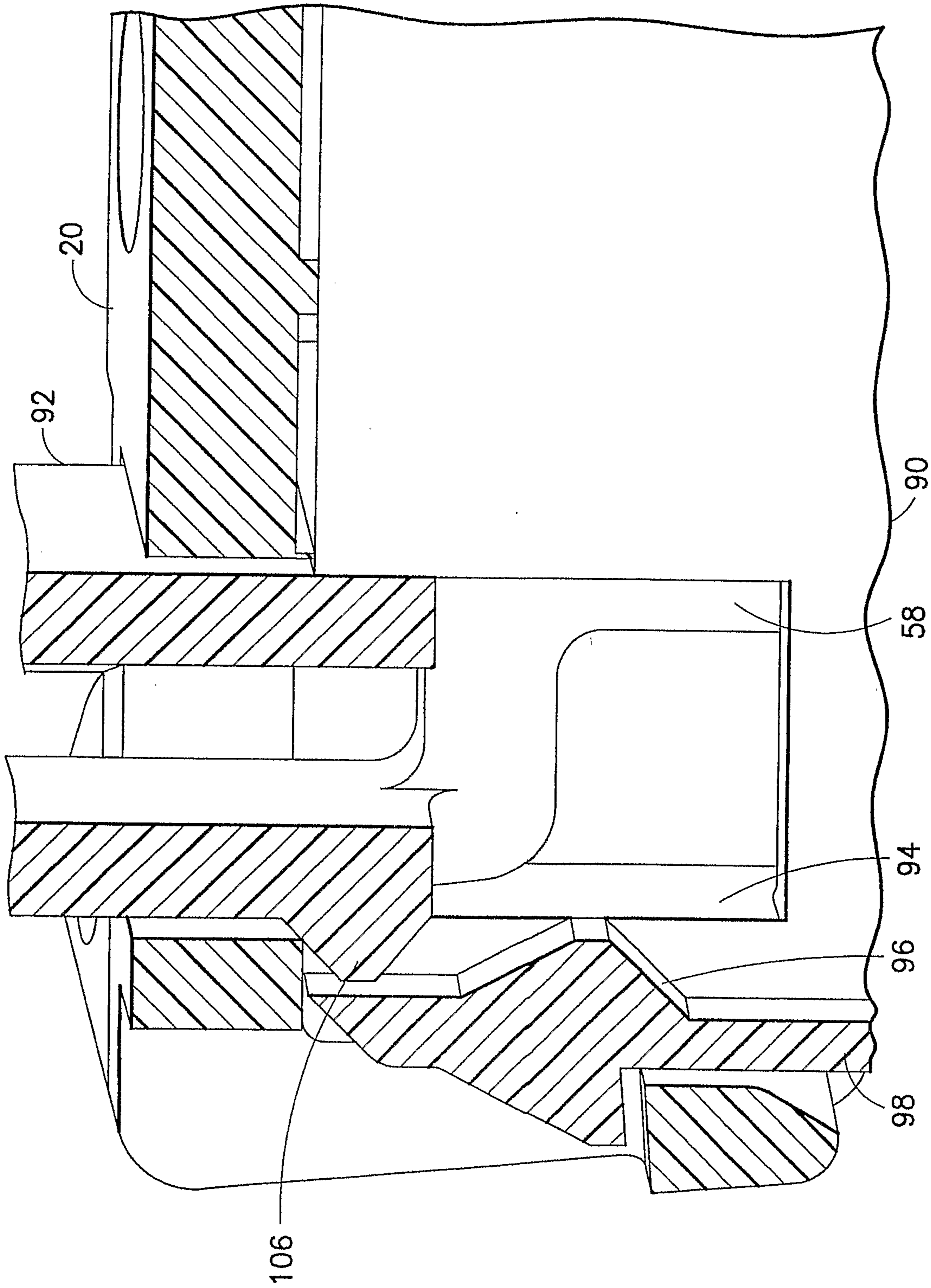


FIG. 13

10/12

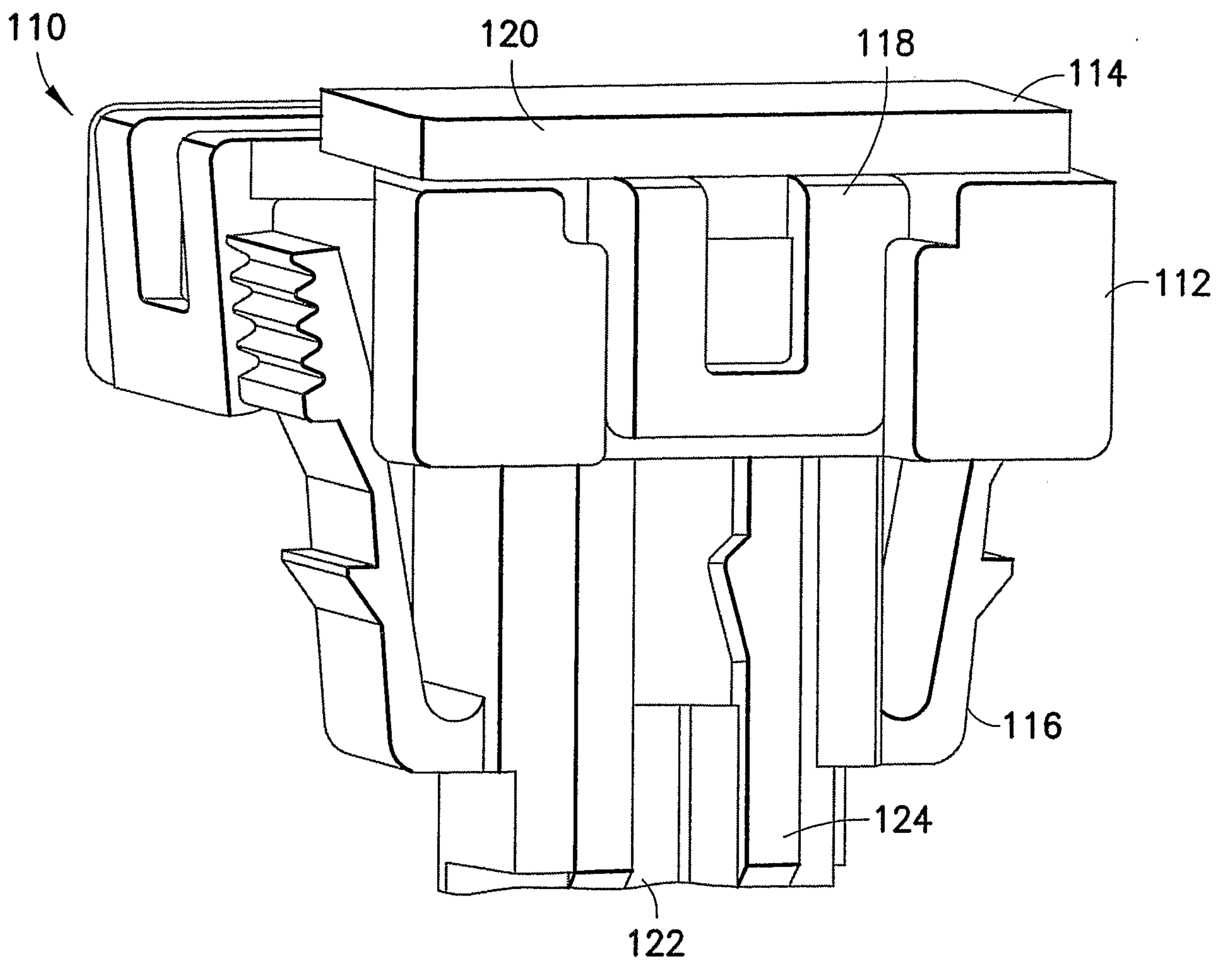


FIG.14

11/12

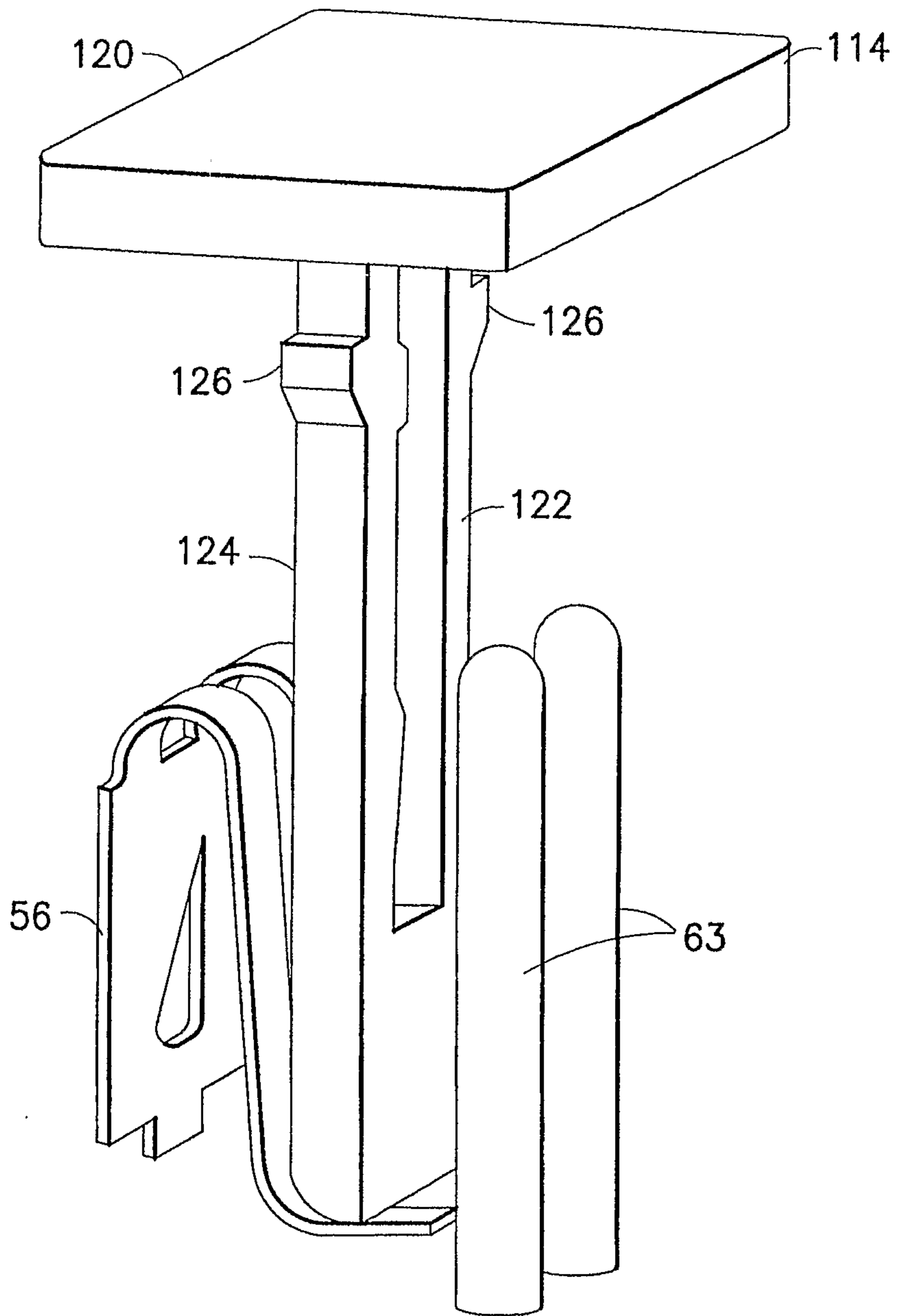


FIG.15

12/12

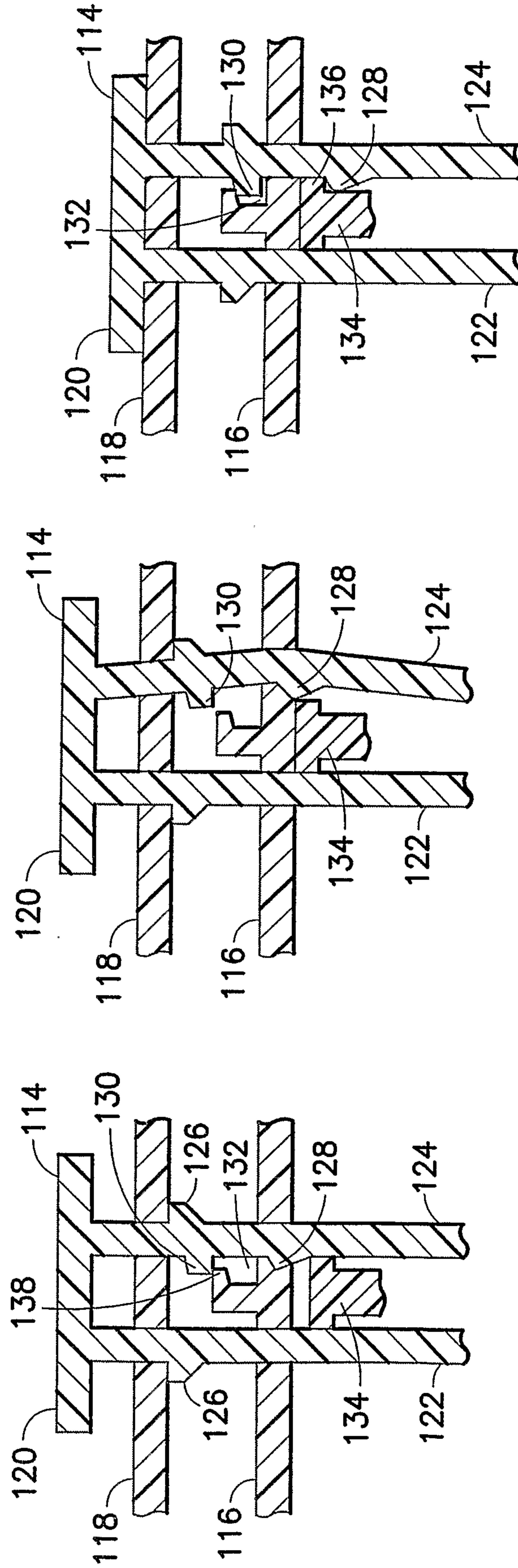


FIG.16

FIG.17

FIG.18

