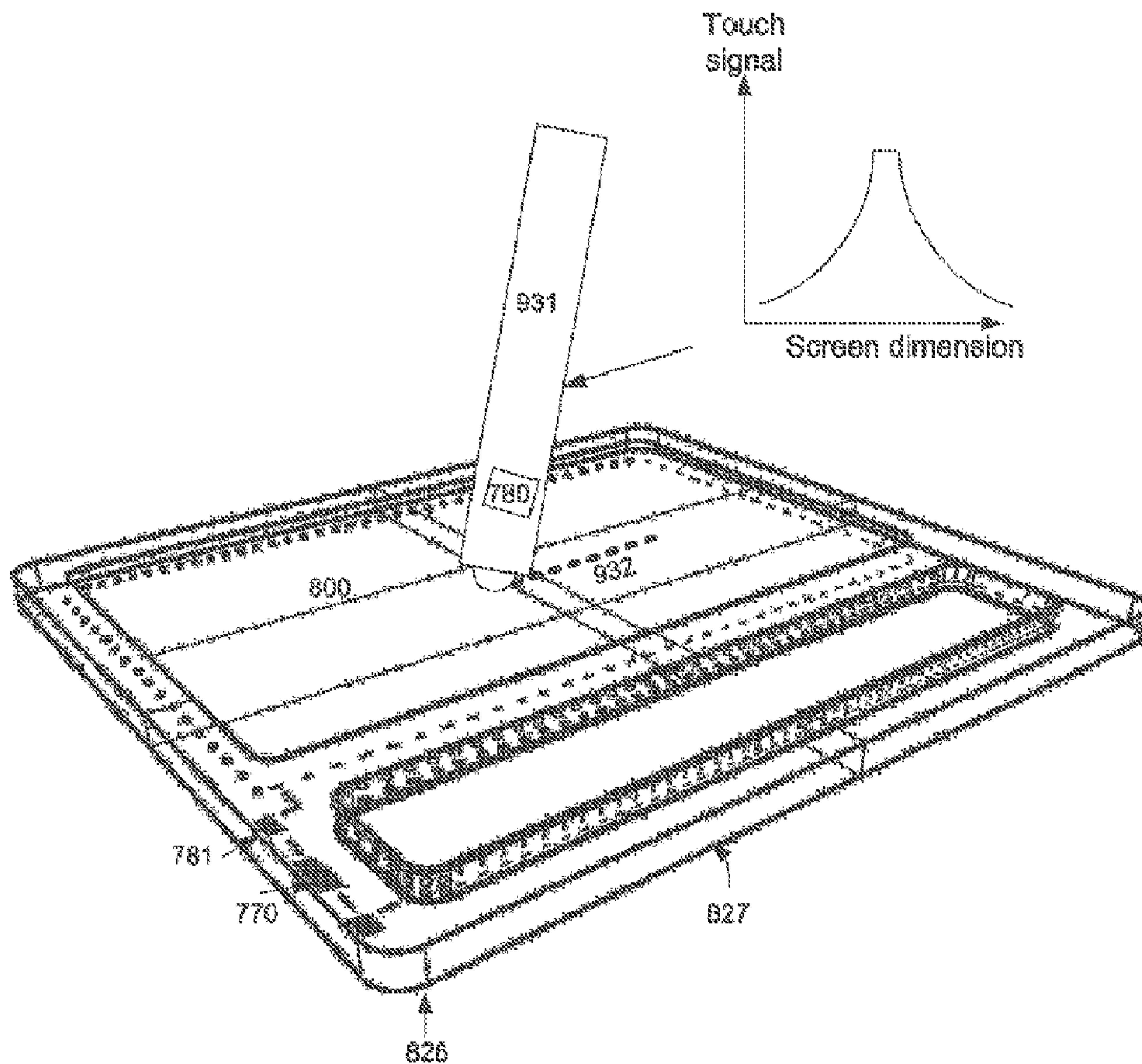




(86) **Date de dépôt PCT/PCT Filing Date:** 2013/01/03
 (87) **Date publication PCT/PCT Publication Date:** 2013/07/18
 (45) **Date de délivrance/Issue Date:** 2017/02/14
 (85) **Entrée phase nationale/National Entry:** 2014/06/05
 (86) **N° demande PCT/PCT Application No.:** US 2013/020181
 (87) **N° publication PCT/PCT Publication No.:** 2013/106234
 (30) **Priorité/Priority:** 2012/01/10 (US61/584,914)

(51) **Cl.Int./Int.Cl. G06F 3/0354** (2013.01),
G06F 3/038 (2013.01), **G06F 3/041** (2006.01),
G07F 7/00 (2006.01)
 (72) **Inventeur/Inventor:**
 FROJDH, GUNNAR MARTIN, SE
 (73) **Propriétaire/Owner:**
 NEONODE INC., US
 (74) **Agent:** SMART & BIGGAR

(54) **Titre : IDENTIFICATION RADIOFREQUENCE ET ENTREE TACTILE COMBINEES POUR ECRAN TACTILE**
 (54) **Title: COMBINED RADIO-FREQUENCY IDENTIFICATION AND TOUCH INPUT FOR A TOUCH SCREEN**



(57) **Abrégé/Abstract:**

A graphics tablet system including a housing, a touch screen in the housing for receiving touch input, and for displaying graphics corresponding to the received touch input, a plurality of styli for performing touch input, each stylus including an RFID chip storing

(57) Abrégé(suite)/Abstract(continued):

one or more graphic attributes, and a visible indicator of the one or more graphic attributes, an RFID reader in the housing for reading the stored one or more graphic attributes from a stylus touching the touch screen, and a processor in the housing, connected to the touch screen and to the RFID reader, for rendering a drawing on the touch screen according to the motion of the stylus on the touch screen and according to one or more graphic attributes read by the RFID reader from the stylus, wherein the plurality of styli store different one or more graphic attributes.