



US00D385382S

United States Patent [19]

[11] Patent Number: Des. 385,382

Von Kluck

[45] Date of Patent: **Oct. 21, 1997

[54] **TABLE LAMP**

[75] Inventor: **Kevin Von Kluck**, Hudson, Ohio

[73] Assignee: **The L. D. Kichler Co.**, Cleveland, Ohio

[**] Term: **14 Years**

[21] Appl. No.: **55,671**

[22] Filed: **Jun. 10, 1996**

[51] LOC (6) Cl. **26-05**

[52] U.S. Cl. **D26/106**

[58] Field of Search D26/93, 102-112;
362/410-414

[56] **References Cited**

PUBLICATIONS

Home Lighting and Accessories, p. 26, table lamp, Apr. 1994.

Home Lighting and Accessories, p. 47, western table lamp, Jul. 1994.

Home Lighting and Accessories, p. 33, table lamp, top, right corner, Jun. 1994.

Primary Examiner—Susan J. Lucas

Attorney, Agent, or Firm—Watts, Hoffmann, Fisher & Heinke, Co., L.P.A.

[57] **CLAIM**

The ornamental design for a table lamp, as shown and described.

DESCRIPTION

FIG. 1 is a perspective view of a table lamp having movable vanes, showing my new design;

FIG. 2 is a perspective view of the table lamp with the movable vanes being shown in a different position;

FIG. 3 is a right side elevational view of the table lamp as shown in FIG. 1;

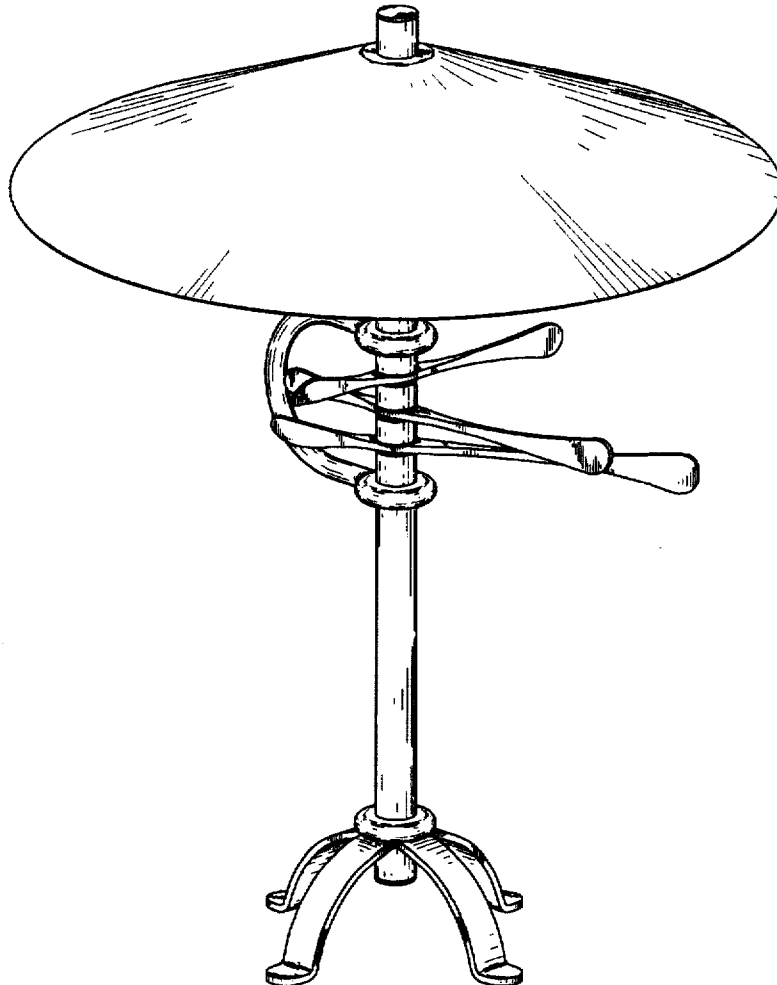
FIG. 4 is a front elevational view of the table lamp as shown in FIG. 1; the rear elevational view being a mirror image thereof;

FIG. 5 is a left side elevational view of the table lamp as shown in FIG. 1;

FIG. 6 is a top plan view of the table lamp as shown in FIG. 1; and,

FIG. 7 is a bottom plan view of the table lamp as shown in FIG. 1.

1 Claim, 4 Drawing Sheets



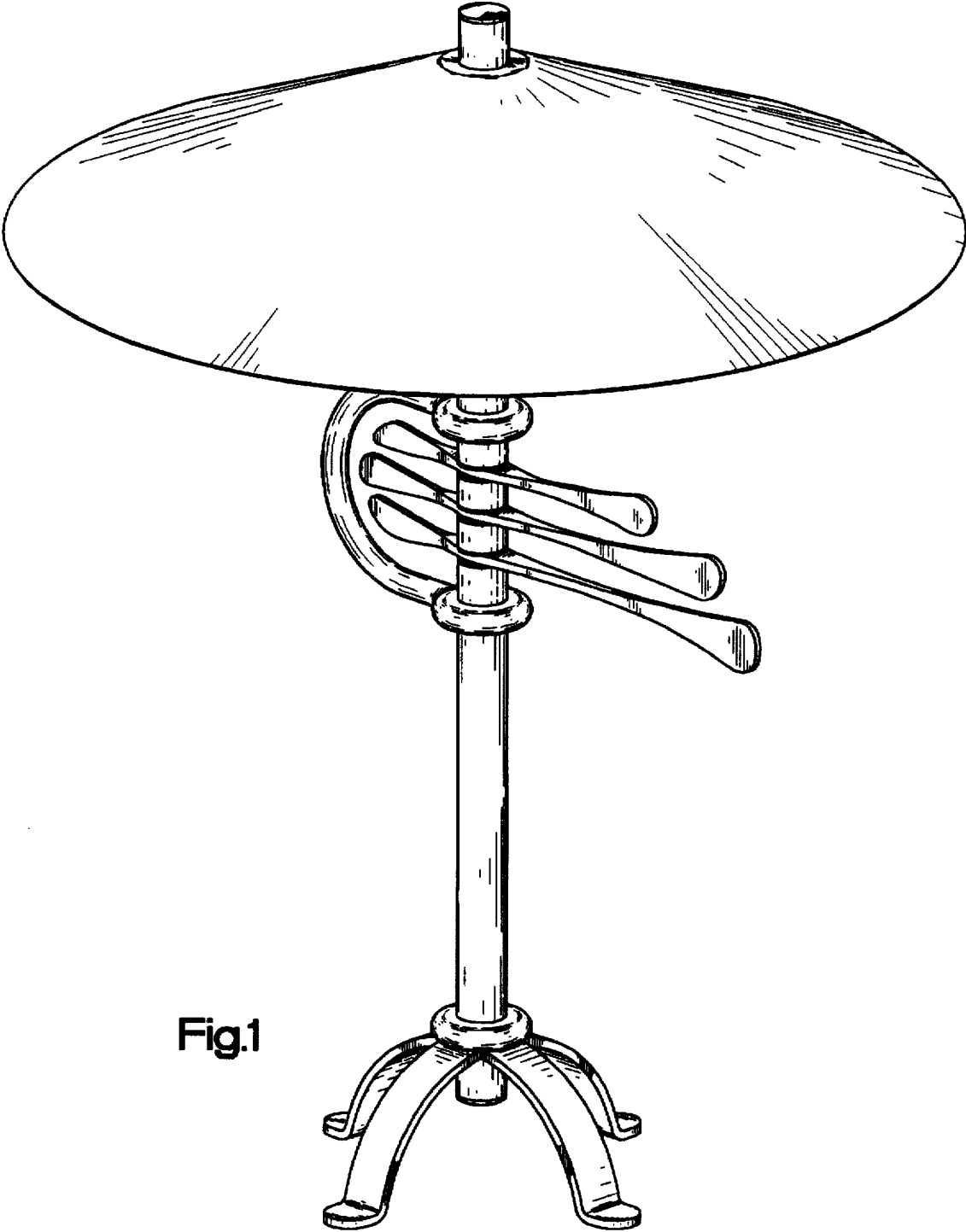


Fig.1

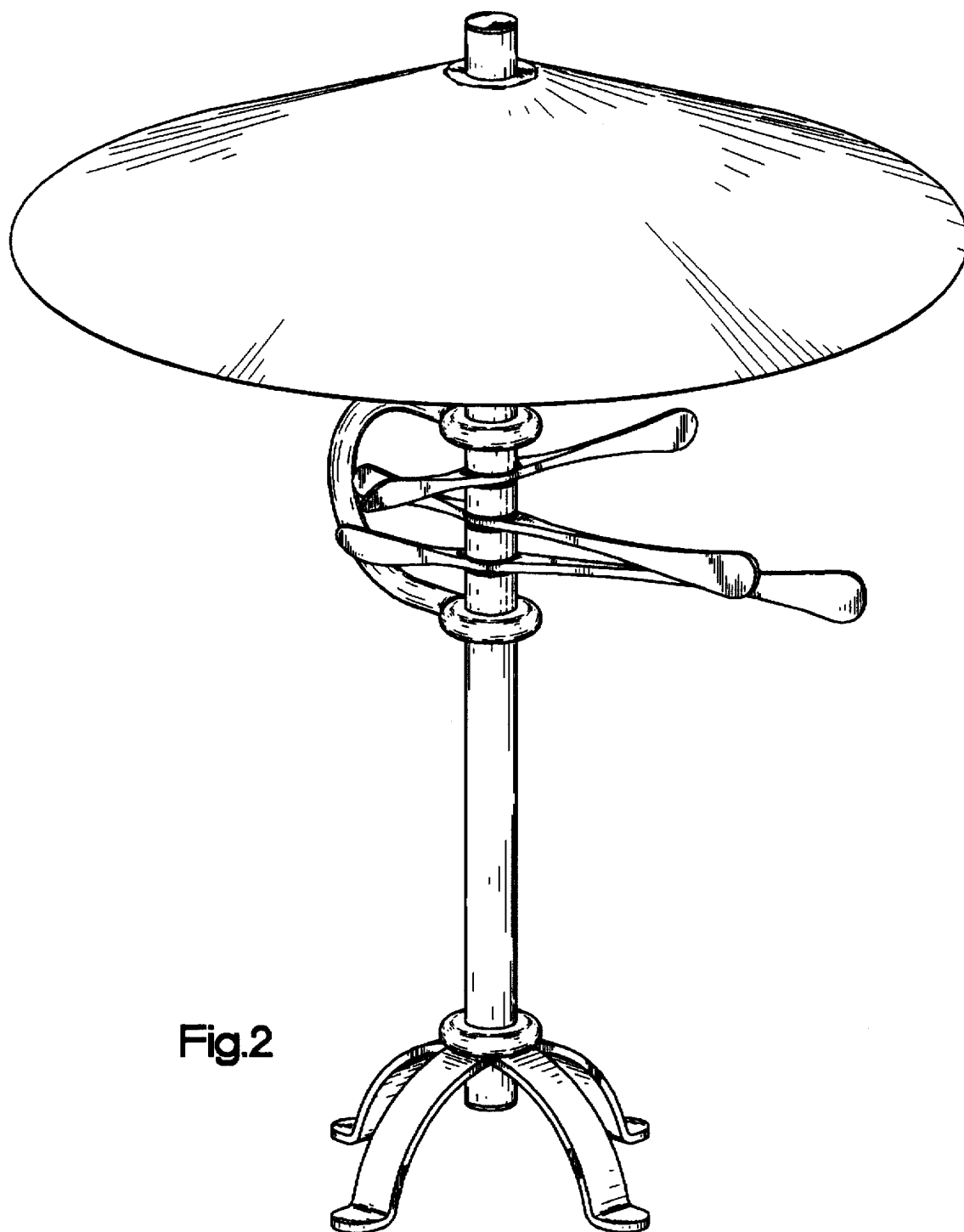


Fig.2

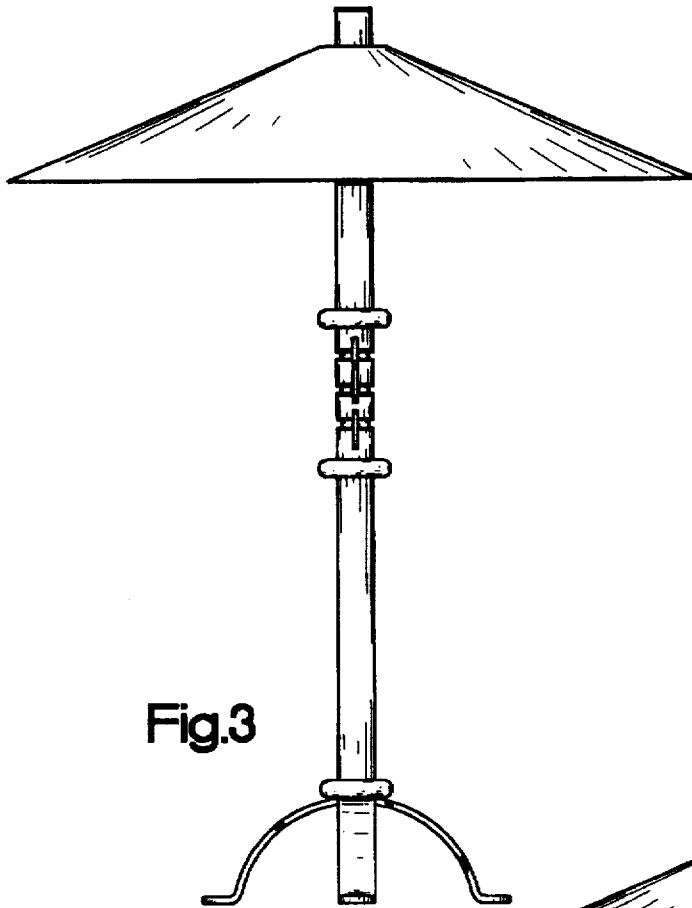


Fig.3

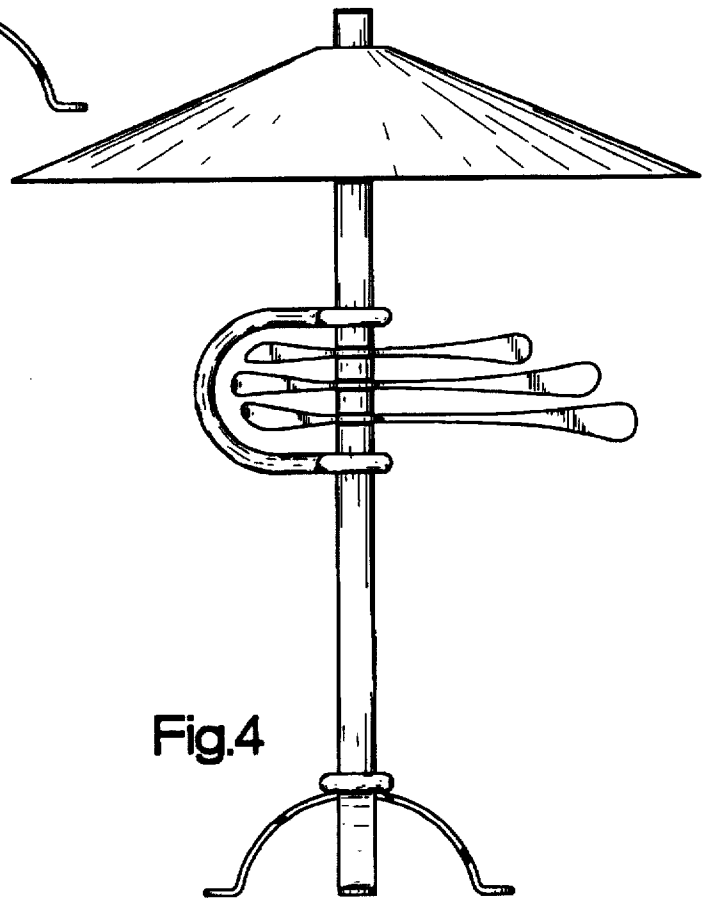


Fig.4

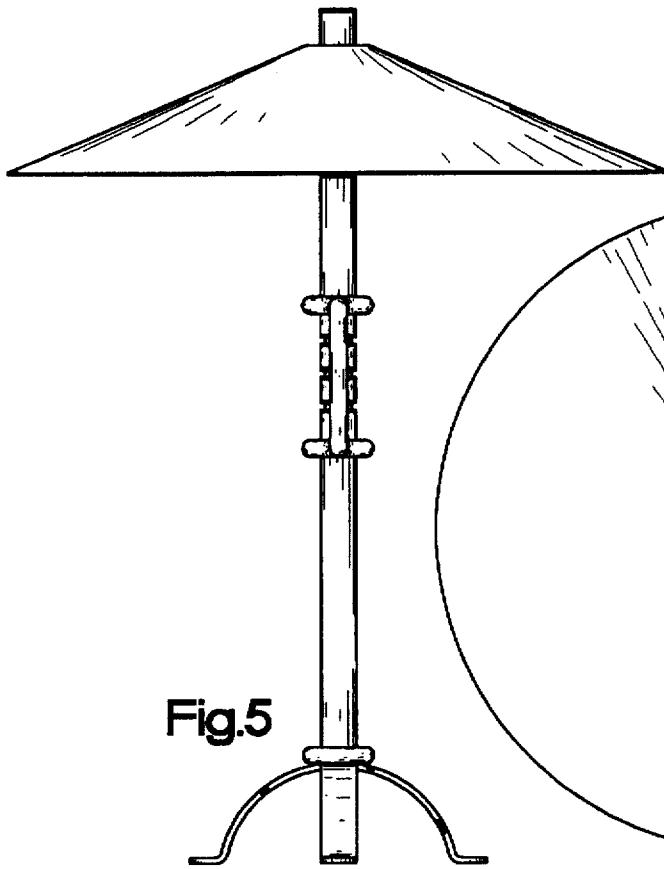


Fig.5

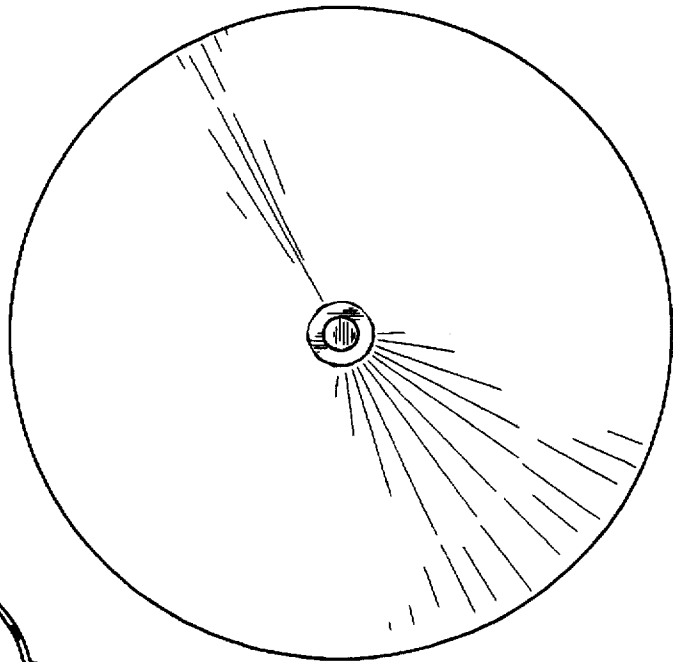


Fig.6

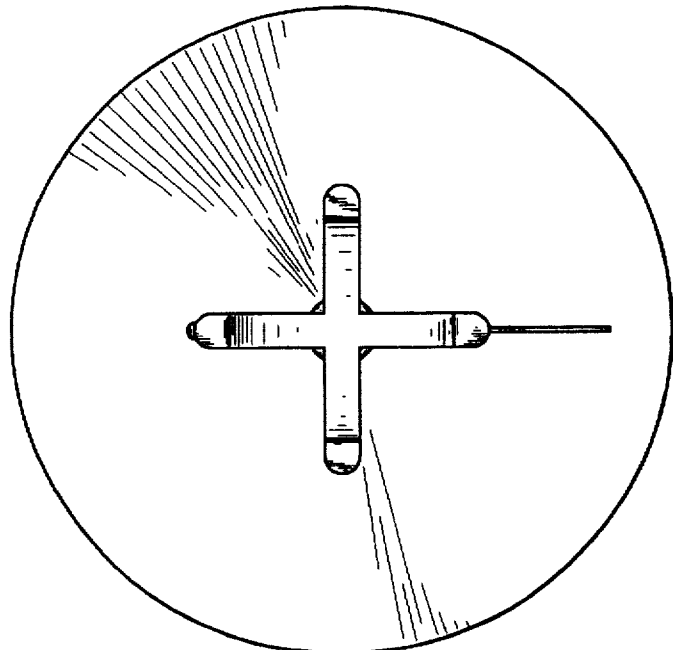


Fig.7