



US00D666740S

(12) **United States Design Patent**
MacDonald et al.

(10) **Patent No.:** **US D666,740 S**

(45) **Date of Patent:** **** Sep. 4, 2012**

(54) **LANDSCAPING BLOCK**

(75) Inventors: **Robert A. MacDonald**, Plymouth, MN
(US); **David Wei Lee**, Chu Pei (TW)

(73) Assignee: **Keystone Retaining Wall Systems
LLC**, West Chester, OH (US)

(**) Term: **14 Years**

(21) Appl. No.: **29/396,303**

(22) Filed: **Jun. 28, 2011**

(51) **LOC (9) Cl.** **25-01**

(52) **U.S. Cl.** **D25/113**

(58) **Field of Classification Search** D25/102-118,
D25/136, 138, 140, 151, 152, 153, 156-162,
D25/164; D21/484-491, 499-504; 405/16,
405/284, 286; 52/503-505, 574, 575, 596-612;
404/27-42

See application file for complete search history.

(56) **References Cited**

U.S. PATENT DOCUMENTS

D296,007 S	5/1988	Forsberg	
D298,463 S	11/1988	Forsberg	
4,802,320 A	2/1989	Forsberg	
D300,254 S	3/1989	Forsberg	
4,825,619 A	5/1989	Forsberg	
4,914,876 A	4/1990	Forsberg	
4,920,712 A	5/1990	Dean, Jr.	
5,044,834 A	9/1991	Janopaul, Jr.	
5,252,017 A	10/1993	Hodel	
5,257,880 A	11/1993	Janopaul, Jr.	
D343,461 S	1/1994	Powell	
5,337,527 A	8/1994	Wagenaar	
5,402,609 A *	4/1995	Kelley, Jr.	52/98
5,490,363 A	2/1996	Woolford	
5,505,034 A	4/1996	Dueck	
5,568,994 A	10/1996	Dawson	
5,601,384 A	2/1997	Dawson	
D380,560 S	7/1997	Forsberg	
D381,086 S	7/1997	Forsberg	
D384,168 S	9/1997	Stevenson	
5,688,078 A	11/1997	Hammer	
D387,434 S	12/1997	Dawson	

5,704,183 A	1/1998	Woolford	
D397,230 S	8/1998	Forsberg	
D397,451 S	8/1998	Stevenson	
5,795,105 A	8/1998	Guth	
D397,808 S	9/1998	Dawson	
5,820,304 A *	10/1998	Sorheim et al.	405/286
D404,146 S *	1/1999	Perkins	D25/113
D405,543 S	2/1999	Shillingburg	
5,865,006 A	2/1999	Dawson	
5,913,790 A	6/1999	Dawson	
5,951,210 A	9/1999	Maguire et al.	
6,019,550 A	2/2000	Wrigley et al.	
D430,308 S	8/2000	Dawson	

(Continued)

Primary Examiner — Anhdao Doan

(74) *Attorney, Agent, or Firm* — Popovich, Wiles & O'Connell, P.A.

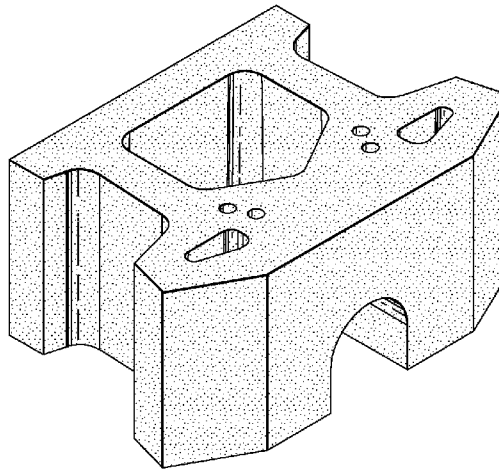
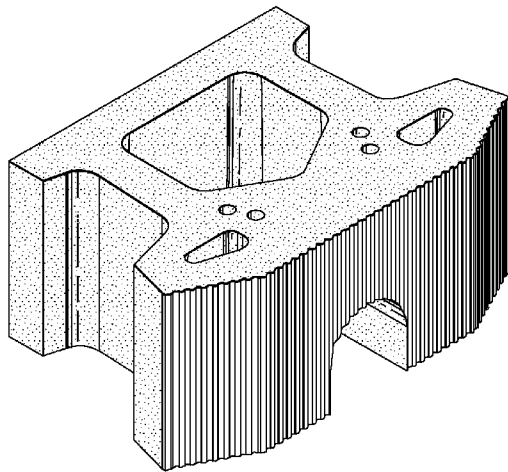
(57) **CLAIM**

The ornamental design for a landscaping block, as shown and described.

DESCRIPTION

FIG. 1 is a front and top perspective view of a first embodiment of a landscaping block according to our new design; FIG. 2 is a front and bottom perspective view thereof; FIG. 3 is a top plan view thereof; FIG. 4 is a bottom plan view thereof; FIG. 5 is a front elevational view thereof; FIG. 6 is a rear elevational view thereof; FIG. 7 is a right side elevational view thereof; FIG. 8 is a left side elevational view thereof; FIG. 9 is a front and top perspective view of a second embodiment of a landscaping block according to our new design; FIG. 10 is a front and bottom perspective view thereof; FIG. 11 is a top plan view thereof; FIG. 12 is a bottom plan view thereof; FIG. 13 is a front elevational view thereof; FIG. 14 is a rear elevational view thereof; FIG. 15 is a right side elevational view thereof; and, FIG. 16 is a left side elevational view thereof.

1 Claim, 8 Drawing Sheets



US D666,740 S

U.S. PATENT DOCUMENTS

6,113,318	A	9/2000	Guth		7,641,178	B2	1/2010	MacDonald et al.
6,149,352	A	11/2000	MacDonald		D610,710	S	2/2010	LaCroix et al.
6,168,353	B1	1/2001	Price		7,654,776	B2	2/2010	MacDonald et al.
6,224,295	B1 *	5/2001	Price et al.	405/262	D620,615	S	7/2010	MacDonald et al.
6,295,772	B1 *	10/2001	Whitson	D25/118	D621,070	S	8/2010	MacDonald et al.
D459,487	S	6/2002	Bott		7,780,141	B2	8/2010	Dawson et al.
6,536,994	B2	3/2003	Race		7,934,351	B2	5/2011	Clarno
D475,143	S	5/2003	Hammer		7,971,407	B2	7/2011	MacDonald
6,615,561	B2	9/2003	MacDonald et al.		D650,918	S	12/2011	Hammer
6,709,201	B2	3/2004	Race		2006/0110223	A1	5/2006	Dawson
D488,242	S	4/2004	MacDonald		2008/0277561	A1	11/2008	MacDonald
D488,568	S	4/2004	MacDonald		2008/0289282	A1	11/2008	MacDonald
D488,569	S	4/2004	Dawson		2008/0302350	A1	12/2008	LaCroix
D490,542	S	5/2004	MacDonald		2008/0307740	A1	12/2008	MacDonald
6,803,002	B2	10/2004	Suto et al.		2008/0313988	A1	12/2008	MacDonald
6,821,058	B1	11/2004	Dawson		2009/0120029	A1	5/2009	LaCroix et al.
D501,935	S	2/2005	MacDonald et al.		2009/0151281	A1	6/2009	MacDonald et al.
6,854,231	B2	2/2005	MacDonald et al.		2009/0188196	A1	7/2009	MacDonald
6,912,823	B2	7/2005	MacDonald et al.		2009/0308015	A1	12/2009	MacDonald et al.
D530,832	S	10/2006	Rainey		2009/0313936	A1	12/2009	MacDonald et al.
7,168,892	B1	1/2007	MacDonald et al.		2010/0308502	A1	12/2010	Lacroix et al.
D544,550	S *	6/2007	Hageman	D21/497	2010/0310695	A1	12/2010	Lacroix et al.
7,448,830	B2	11/2008	MacDonald et al.		2011/0072753	A1	3/2011	MacDonald
D587,382	S	2/2009	Wauhop		2011/0217127	A1	9/2011	MacDonald
D602,171	S	10/2009	Rodebaugh et al.		2011/0243669	A1	10/2011	Friederichs et al.

* cited by examiner

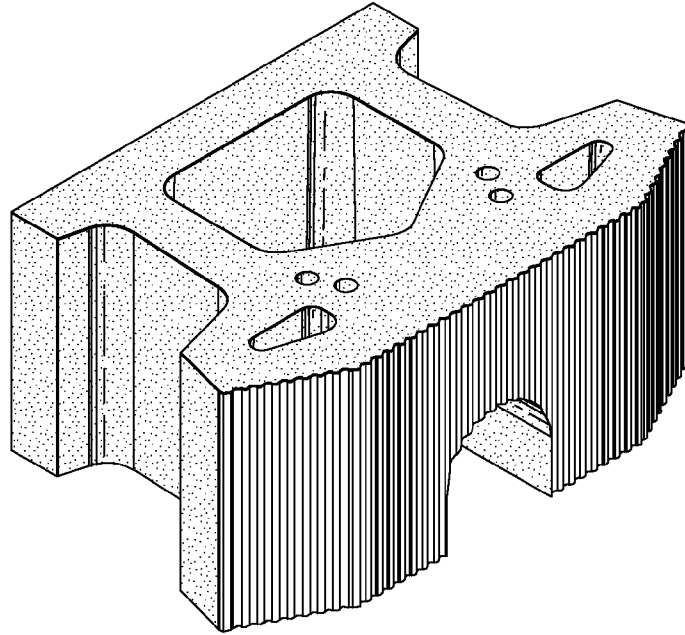


Fig. 1

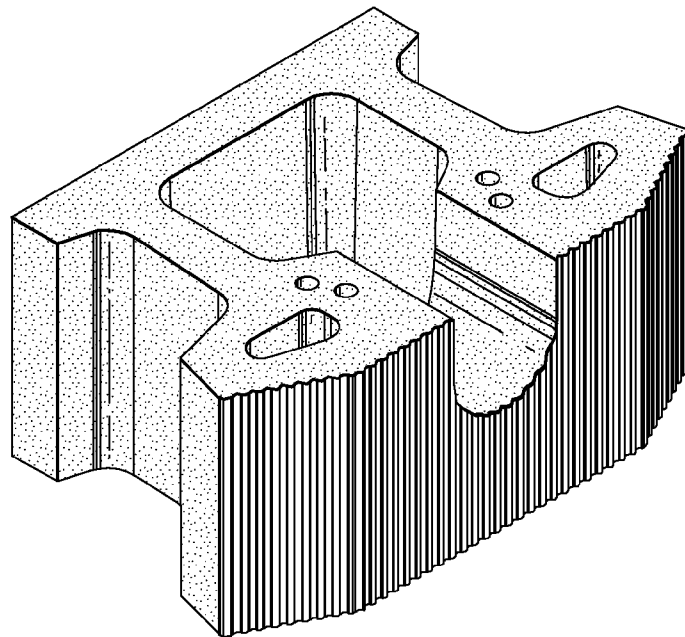


Fig. 2

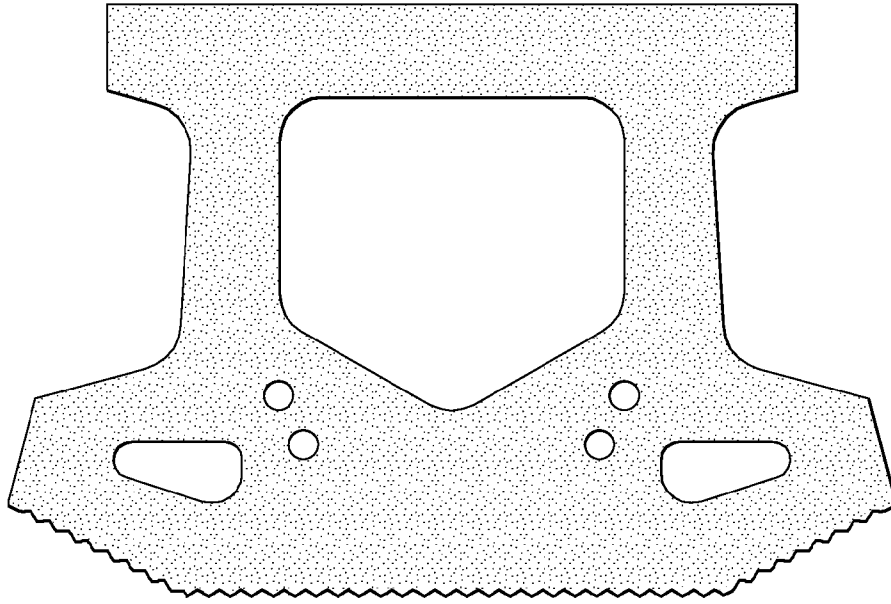


Fig. 3

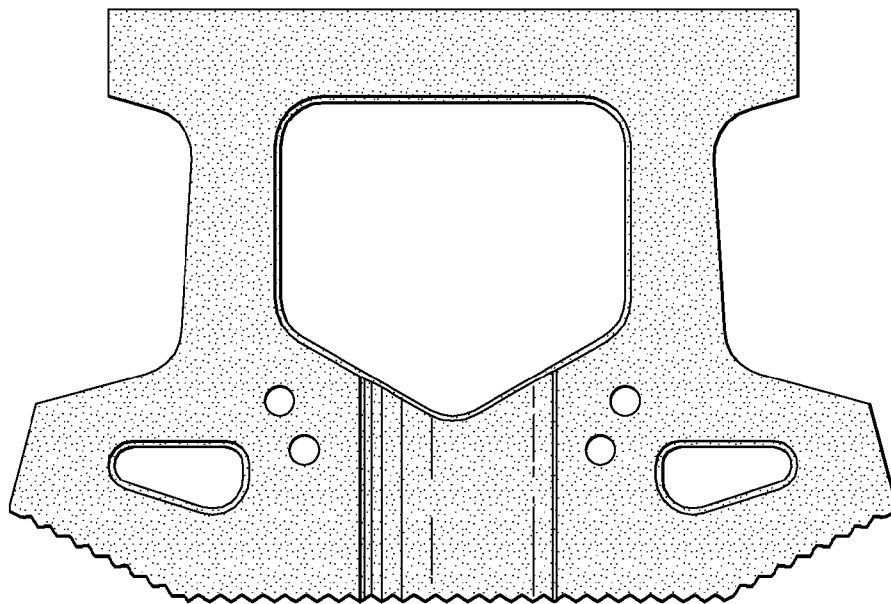


Fig. 4

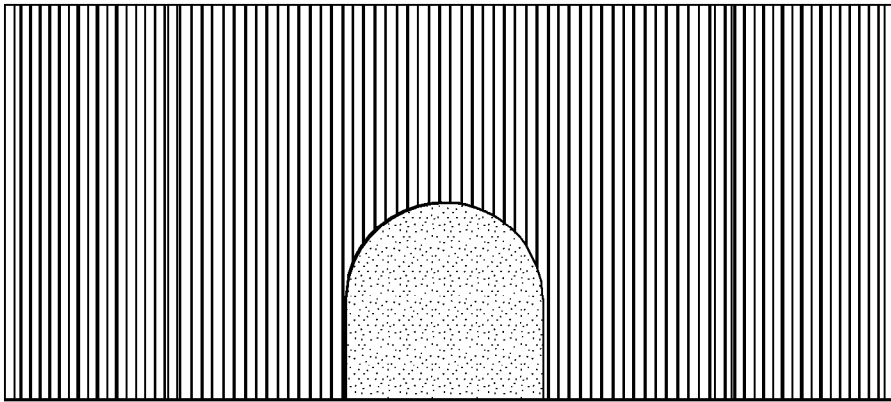


Fig. 5

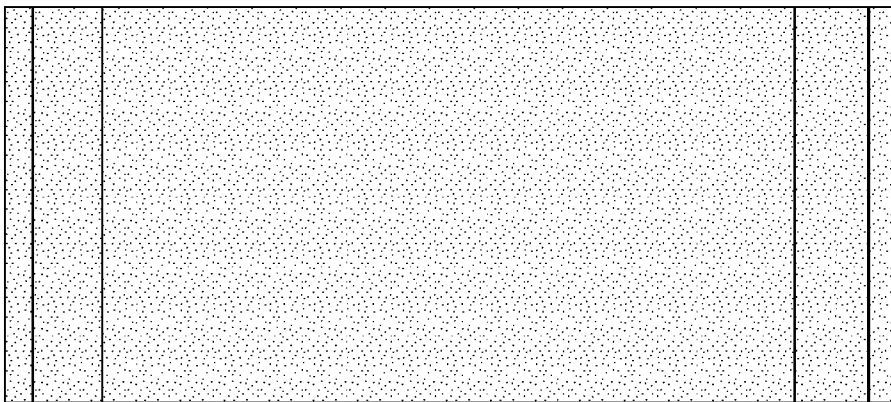


Fig. 6

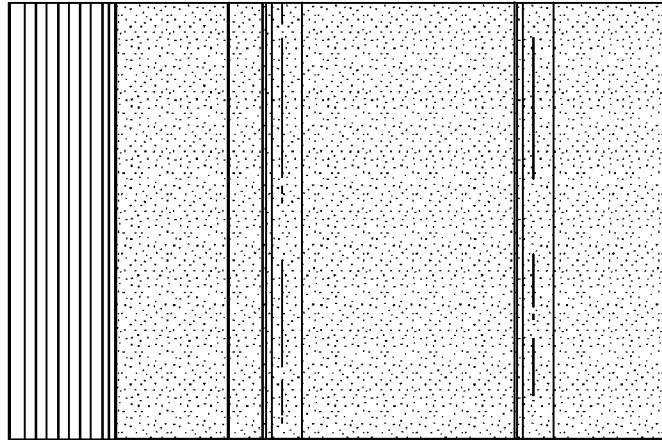


Fig. 7

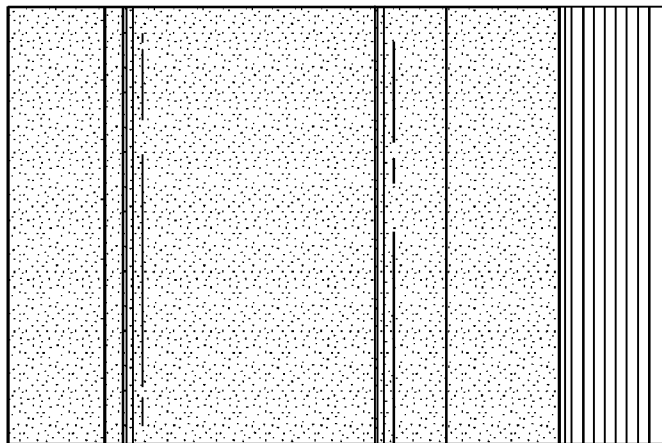


Fig. 8

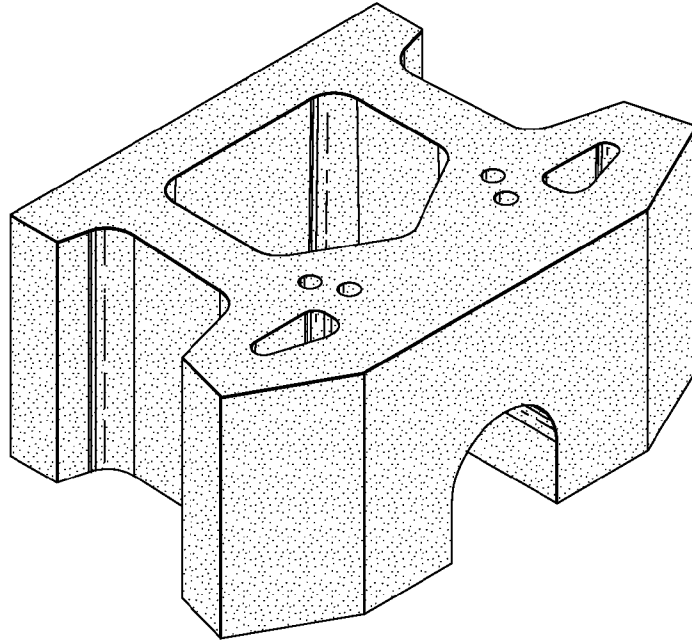


Fig. 9

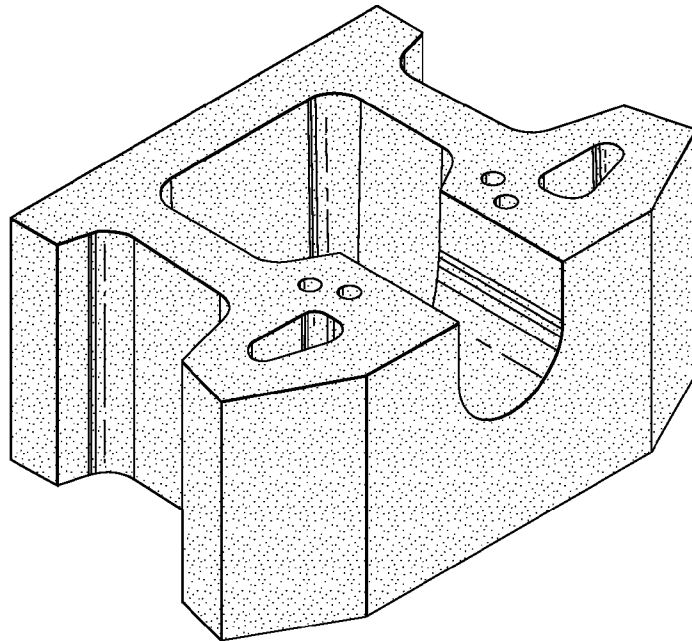


Fig. 10

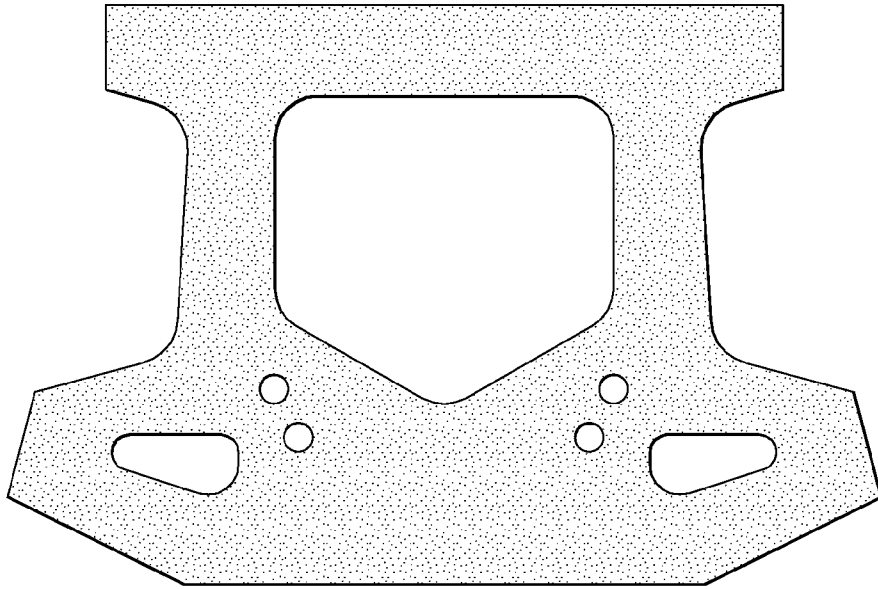


Fig. 11

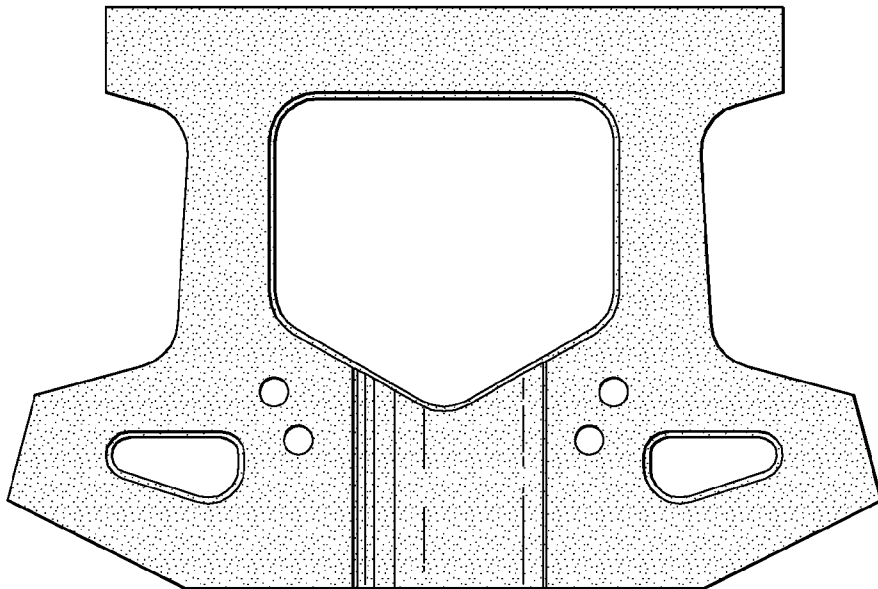


Fig. 12

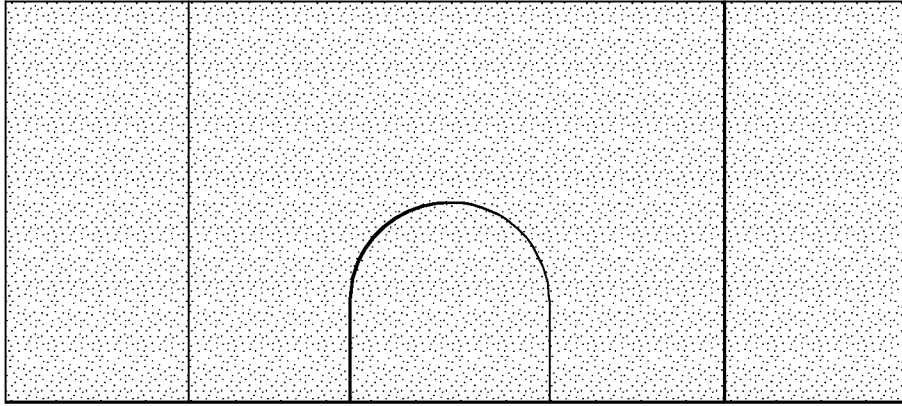


Fig. 13

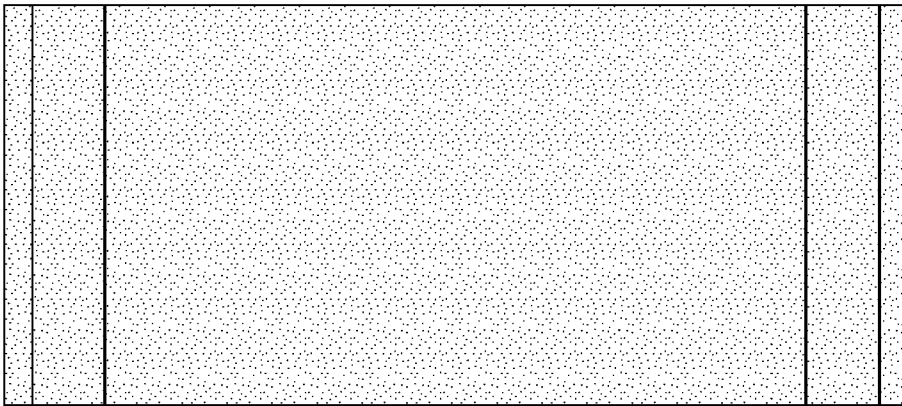


Fig. 14

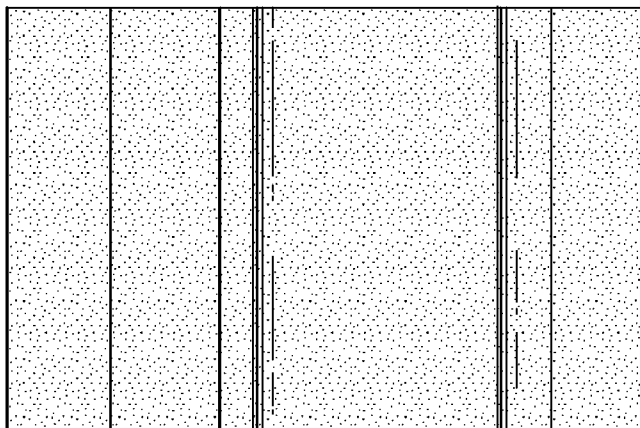


Fig. 15

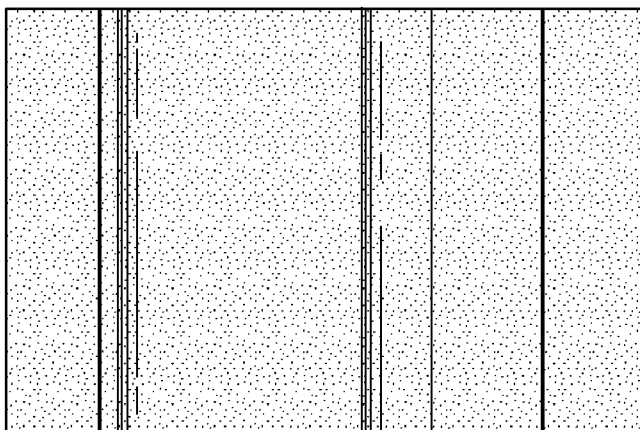


Fig. 16