



US00D788964S

(12) **United States Design Patent**  
**Peard**

(10) **Patent No.:** **US D788,964 S**

(45) **Date of Patent:** **\*\* Jun. 6, 2017**

(54) **LIGHT PROJECTOR**

(71) Applicant: **AYRTON**, Longjumeau (FR)

(72) Inventor: **Yvan Peard**, Longjumeau (FR)

(73) Assignee: **AYRTON**, Longjumeau (FR)

(\*\*) Term: **15 Years**

(21) Appl. No.: **29/541,336**

(22) Filed: **Oct. 2, 2015**

(30) **Foreign Application Priority Data**

Apr. 3, 2015 (EM) ..... 002675587

(51) **LOC (10) Cl.** ..... **26-03**

(52) **U.S. Cl.**  
USPC ..... **D26/61**

(58) **Field of Classification Search**  
USPC ..... D26/1, 24, 61, 63, 65  
CPC ..... F21V 21/14; F21V 15/01; F21V 14/02;  
F21V 21/30; F21V 14/00; F21S 8/00;  
F21Y 2105/001  
See application file for complete search history.

(56) **References Cited**

**U.S. PATENT DOCUMENTS**

D324,431 S \* 3/1992 Richardson ..... D26/63  
5,176,442 A \* 1/1993 Richardson ..... H05B 39/00  
362/269

D372,550 S \* 8/1996 Stultz ..... D26/63  
D500,379 S \* 12/2004 Kunzler ..... D26/63  
D617,930 S \* 6/2010 Chen ..... D26/60  
D694,927 S \* 12/2013 Toft ..... D26/63  
D700,385 S \* 2/2014 Quadri ..... D26/63  
D702,386 S \* 4/2014 Valeri ..... D26/63  
D706,478 S \* 6/2014 Yuen ..... D26/63  
D711,561 S \* 8/2014 Redpath ..... D26/24  
D715,474 S \* 10/2014 Janos ..... D26/63  
D735,386 S \* 7/2015 Lin ..... D26/63

\* cited by examiner

*Primary Examiner* — Brian N Vinson

(74) *Attorney, Agent, or Firm* — Wenderoth, Lind & Ponack, L.L.P.

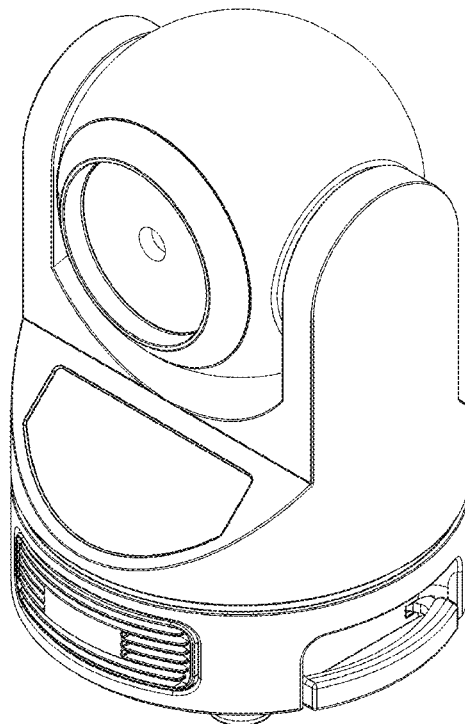
(57) **CLAIM**

The ornamental design for a light projector, as shown.

**DESCRIPTION**

FIG. 1 is the front view of the light projector showing my new design;  
FIG. 2 is the back view of the design;  
FIG. 3 is the Isometric view thereof;  
FIG. 4 is the left view of the design;  
FIG. 5 is the right view of the design;  
FIG. 6 is the top view; and,  
FIG. 7 is the bottom view.

**1 Claim, 7 Drawing Sheets**



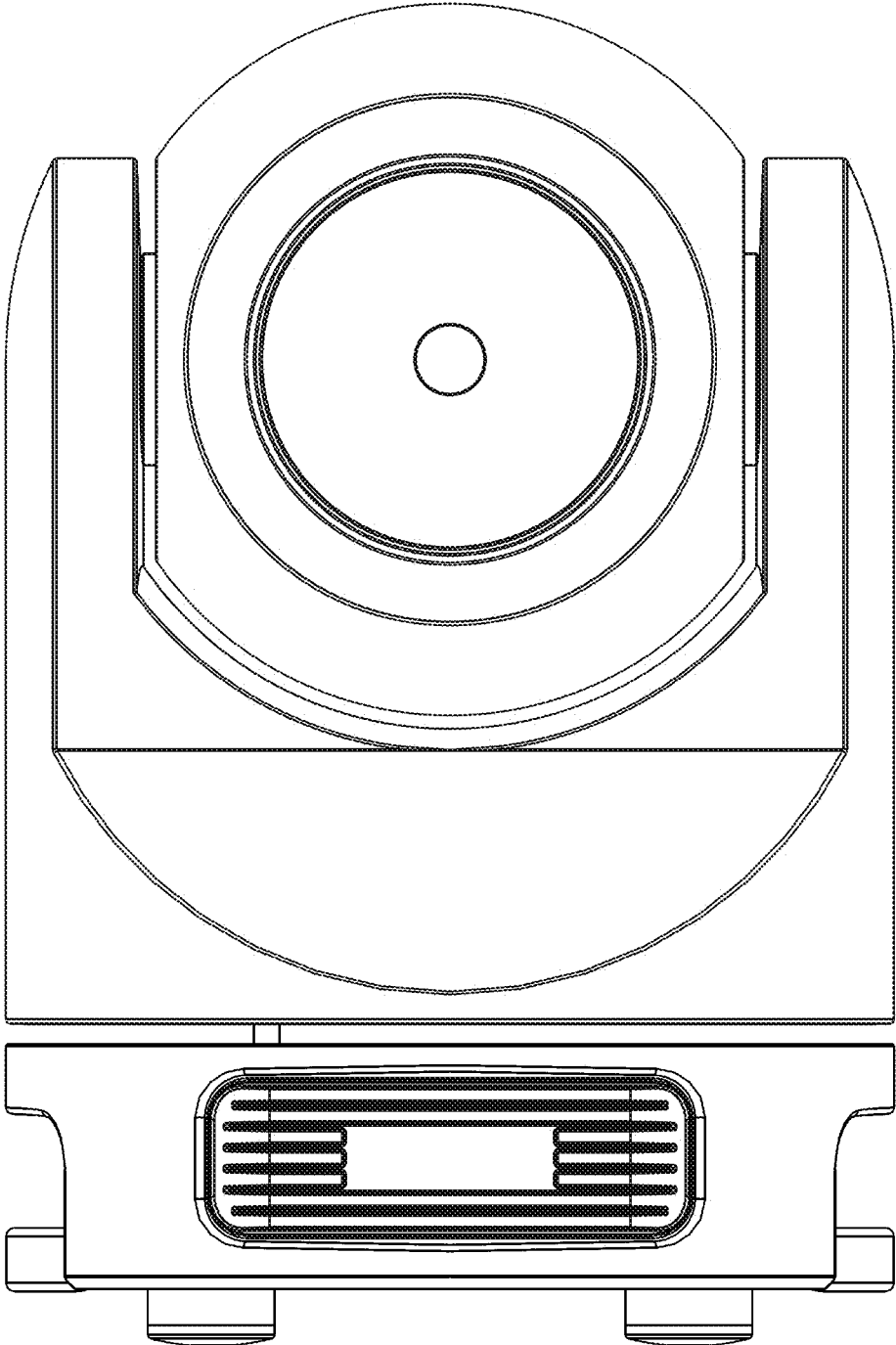


Fig. 1

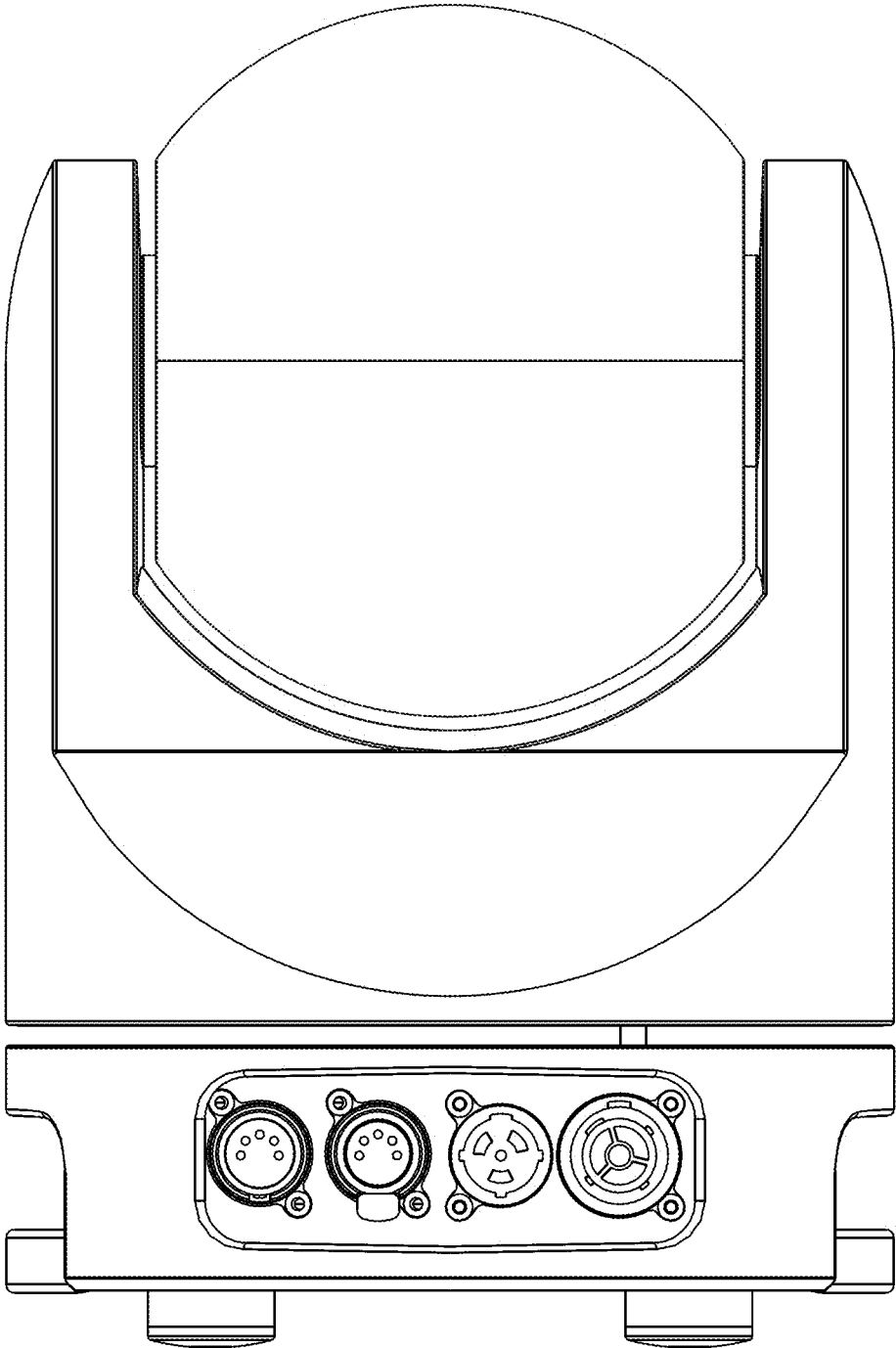


Fig. 2

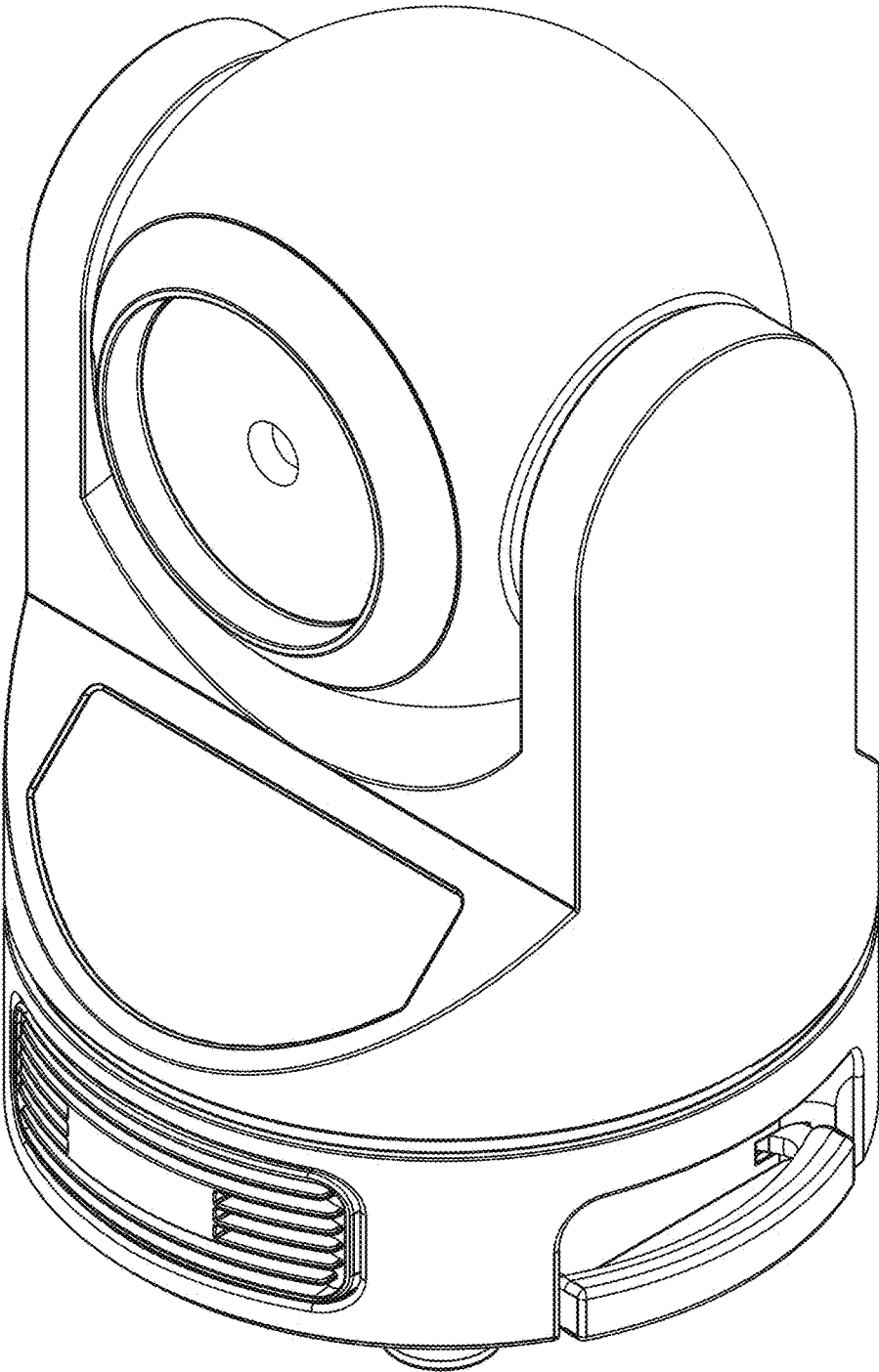


Fig. 3

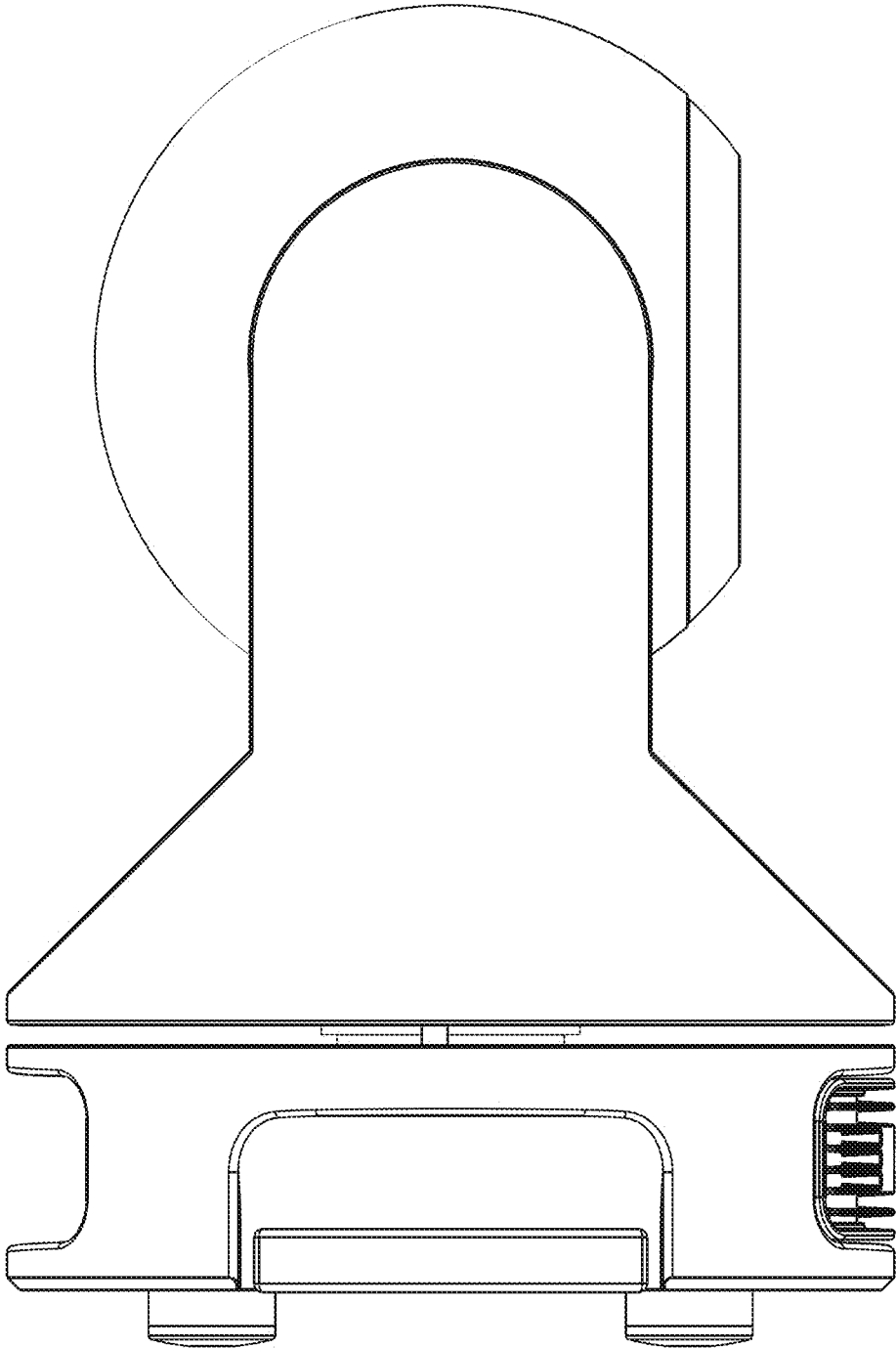


Fig. 4

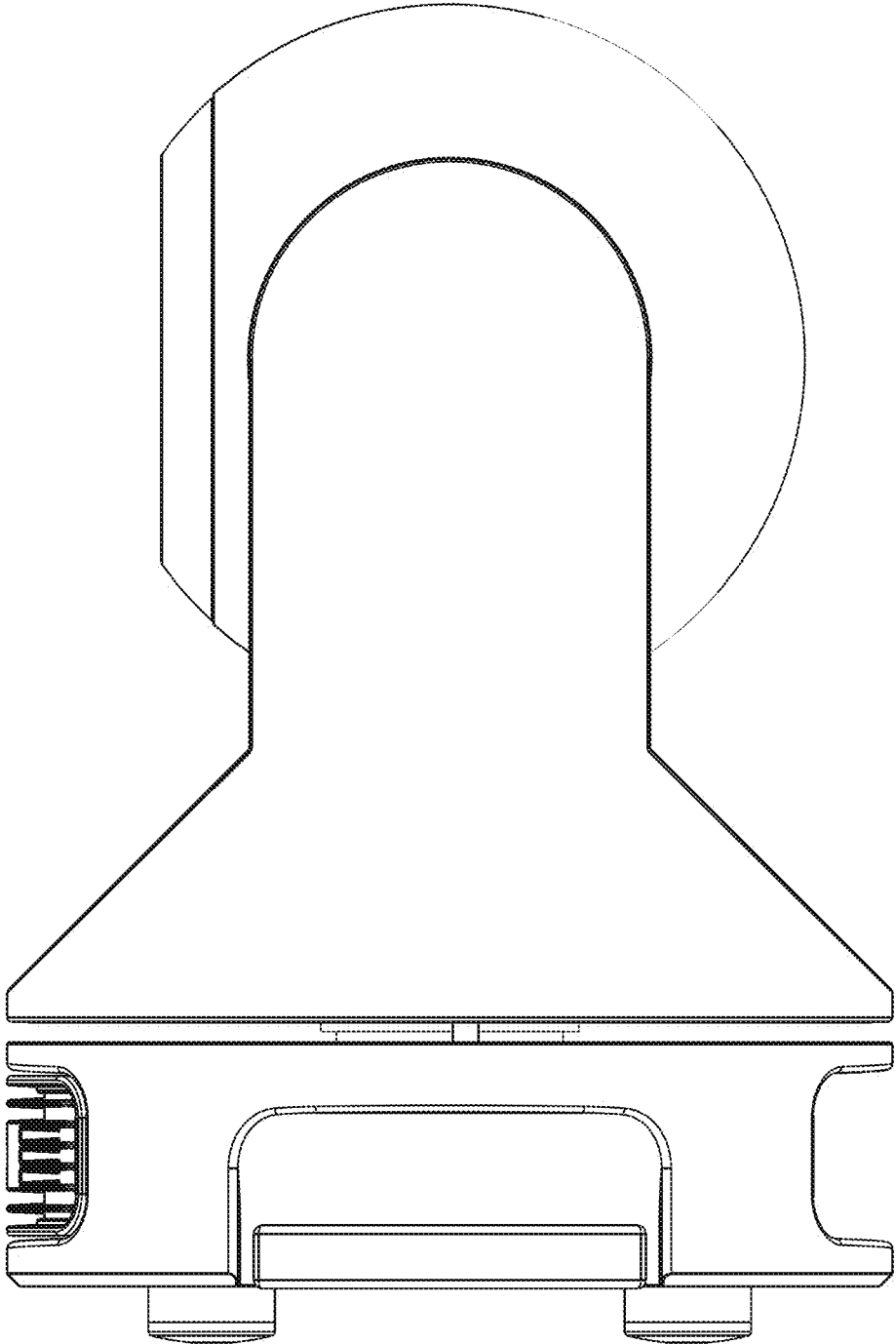


Fig. 5

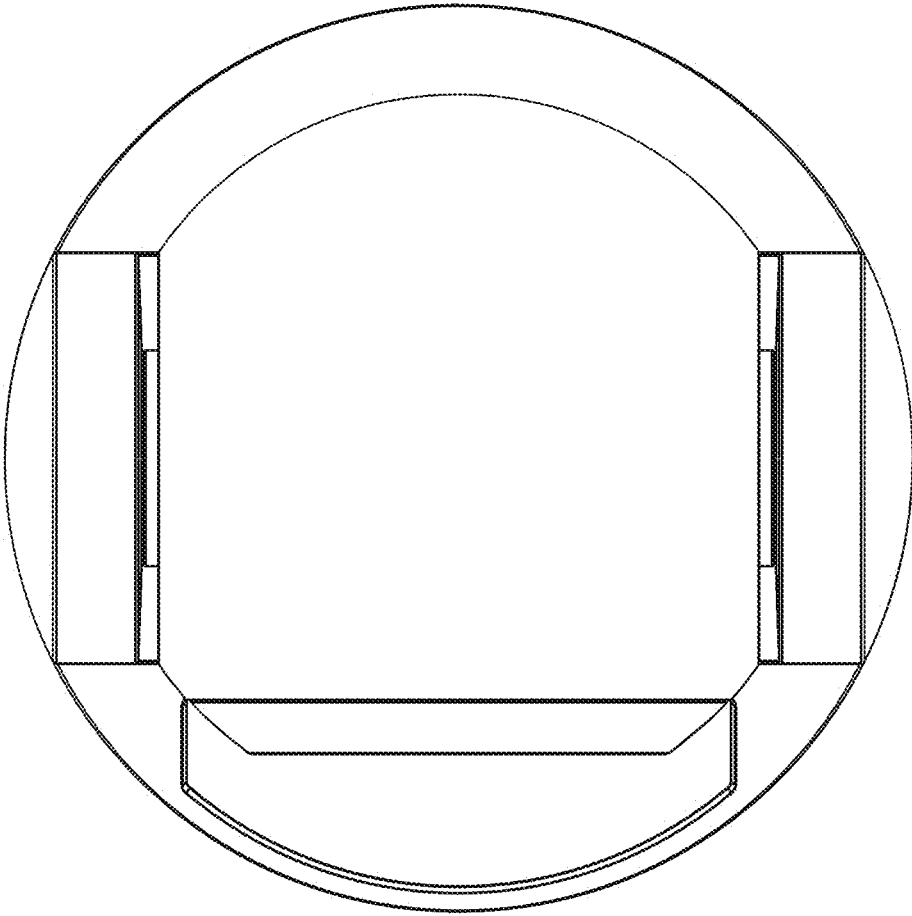


Fig. 6

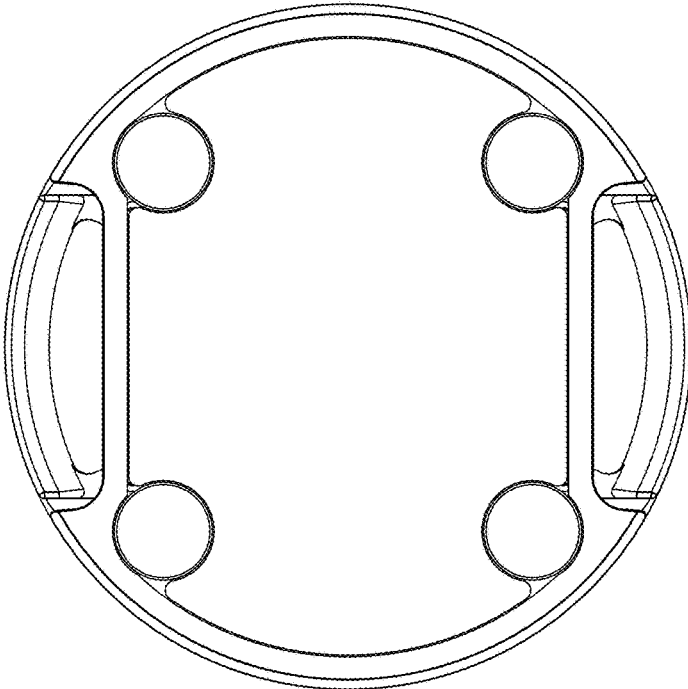


Fig. 7