



US00D815457S

(12) **United States Design Patent**
Moore et al.

(10) **Patent No.:** **US D815,457 S**

(45) **Date of Patent:** **** Apr. 17, 2018**

(54) **WALL MOUNTED DISPENSER CABINET**

8,827,120 B2 9/2014 Boshuizen
D724,861 S 3/2015 Gottschalk
8,991,655 B2 3/2015 Pelkey
D726,444 S * 4/2015 Giovannoni D6/545
(Continued)

(71) Applicant: **GOJO Industries, Inc.**, Akron, OH (US)

(72) Inventors: **Mark Moore**, Aurora, OH (US);
Kaitlin Wolf, Kent, OH (US); **Shelby Buell**, Medina, OH (US)

OTHER PUBLICATIONS

Notice of Allowance for U.S. Appl. No. 29/568,740 dated Oct. 24, 2017.

(Continued)

(73) Assignee: **GOJO Industries, Inc.**, Akron, OH (US)

(**) Term: **15 Years**

Primary Examiner — Wan Laymon

Assistant Examiner — Mark Booker

(21) Appl. No.: **29/582,756**

(74) *Attorney, Agent, or Firm* — Calfee, Halter & Griswold LLP

(22) Filed: **Oct. 31, 2016**

(51) **LOC (11) Cl.** **23-02**

(57) **CLAIM**

(52) **U.S. Cl.**
USPC **D6/545**

The ornamental design for a wall mounted dispenser cabinet, as shown and described.

(58) **Field of Classification Search**
USPC D6/545, 542–544; D9/682, 688, 690,
D9/291, 448, 449; 221/14, 146.3, 173,
221/181.1, 181.3, 251, 282, 628
CPC B67D 1/001; B67D 1/06; A47K 7/04
See application file for complete search history.

DESCRIPTION

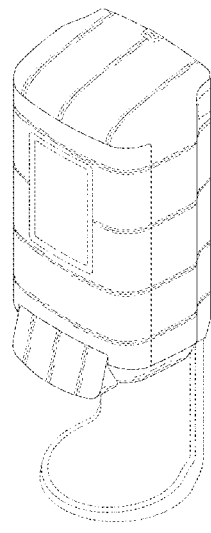
FIG. 1 is a perspective view of a wall mounted dispenser cabinet of the new design;
FIG. 2 is a front elevational view of the wall mounted dispenser cabinet of FIG. 1;
FIG. 3 is back elevational view of the wall mounted dispenser cabinet of FIG. 1;
FIG. 4 is a top plan view of the wall mounted dispenser cabinet of FIG. 1;
FIG. 5 is bottom view of the wall mounted dispenser cabinet of FIG. 1;
FIG. 6 is a left side elevational view of the wall mounted dispenser cabinet of FIG. 1; and,
FIG. 7 is a right side elevational view of the wall mounted dispenser cabinet of FIG. 1.
The broken lines shown in the figures represent portions of the wall mounted dispenser cabinet that form no part of the claimed design.

(56) **References Cited**

U.S. PATENT DOCUMENTS

D372,824 S	8/1996	Lin
D379,728 S	6/1997	Simon
7,044,328 B1	5/2006	Ciavarella
D527,936 S	9/2006	Sirkis
D529,740 S	10/2006	Ophardt
D530,124 S	10/2006	Ophardt
D588,388 S	3/2009	Crawford
D616,684 S	6/2010	Ciavarella
D629,236 S	12/2010	Weststrate
D634,143 S	3/2011	Burkett
D643,237 S	8/2011	Reynolds
8,336,740 B1	12/2012	Daansen
8,387,830 B2	3/2013	Proper
8,534,507 B2	9/2013	Gronholm

1 Claim, 4 Drawing Sheets



(56)

References Cited

U.S. PATENT DOCUMENTS

D767,301	S	*	9/2016	Indruk	D6/545
D768,406	S	*	10/2016	Patterson	D6/545
D768,407	S		10/2016	Patterson		
D775,852	S	*	1/2017	Indruk	D6/545
D778,732	S		2/2017	Brownley		
D780,473	S		3/2017	Brownley		
D781,064	S		3/2017	Brownley		
D781,065	S		3/2017	Brownley		
D781,613	S		3/2017	Santoro		
9,648,990	B1		5/2017	Corney		
2005/0087563	A1		4/2005	Ciavarella		
2010/0059550	A1		3/2010	Ciavarella		
2011/0023364	A1		2/2011	Euteneuer		
2011/0253744	A1		10/2011	Pelfrey		
2012/0228326	A1		9/2012	Ciavarella		
2013/0015209	A1		1/2013	Smith		
2013/0032613	A1		2/2013	Ciavarella		
2014/0110434	A1		4/2014	Ciavarella		
2015/0083754	A1		3/2015	Proper		
2015/0190827	A1		7/2015	Ophardt		
2015/0266657	A1		9/2015	Corney		
2015/0320265	A1		11/2015	Bullock		
2016/0309967	A1		10/2016	Pelfrey		
2017/0100001	A1		4/2017	Tojek		

OTHER PUBLICATIONS

Notice of Allowance for U.S. Appl. No. 29/582,753 dated Oct. 10, 2017.

Notice of Allowance for U.S. Appl. No. 29/585,578 dated Oct. 20, 2017.

* cited by examiner

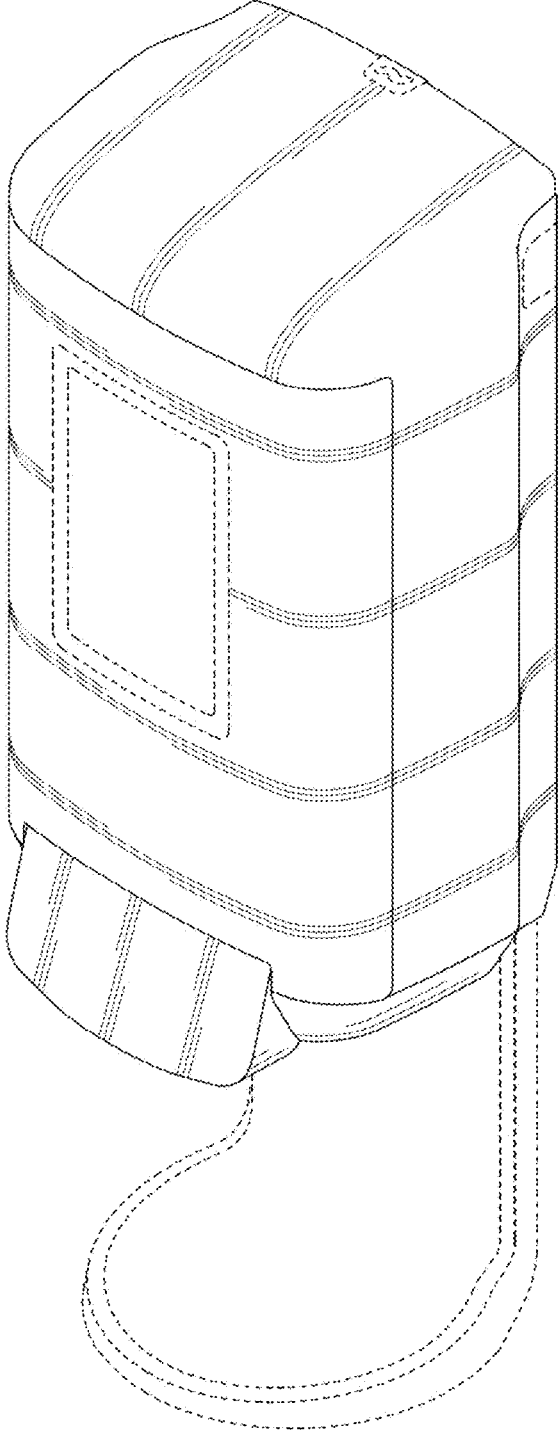


FIG. 1

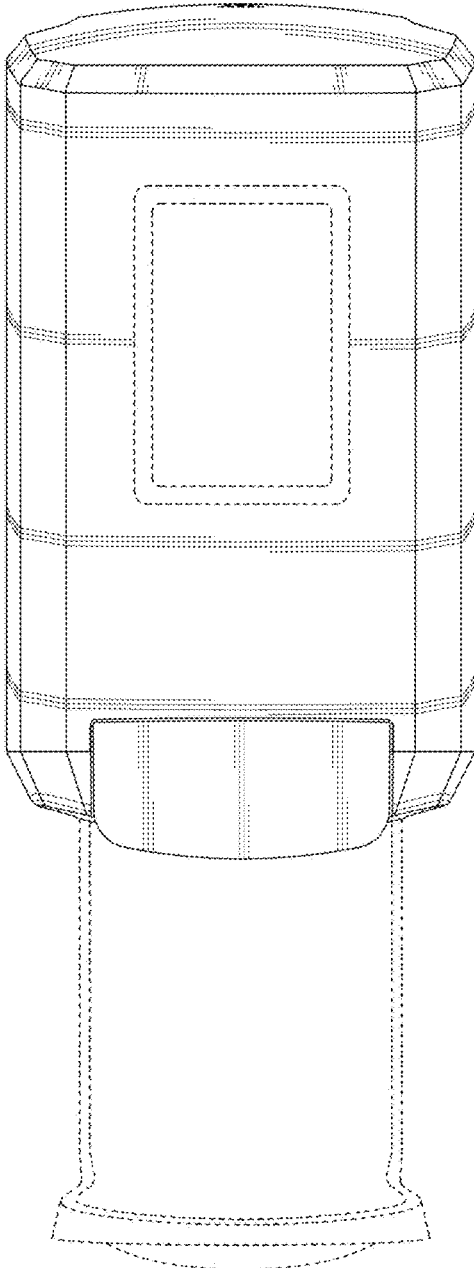


FIG. 2

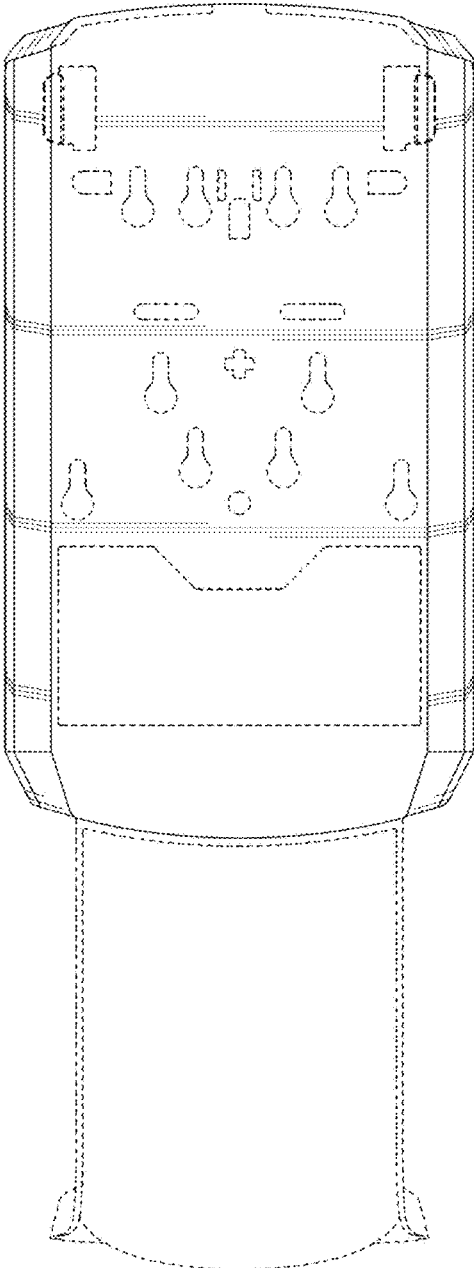


FIG. 3

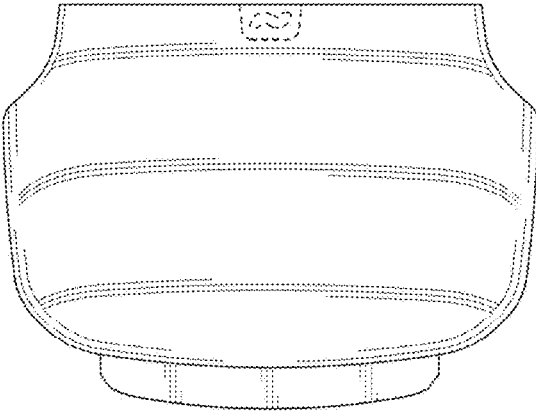


FIG. 4

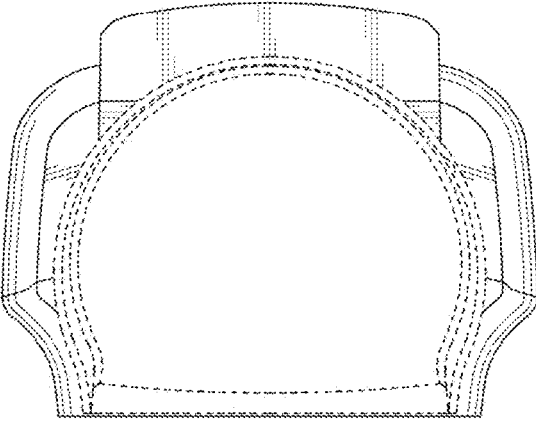


FIG. 5

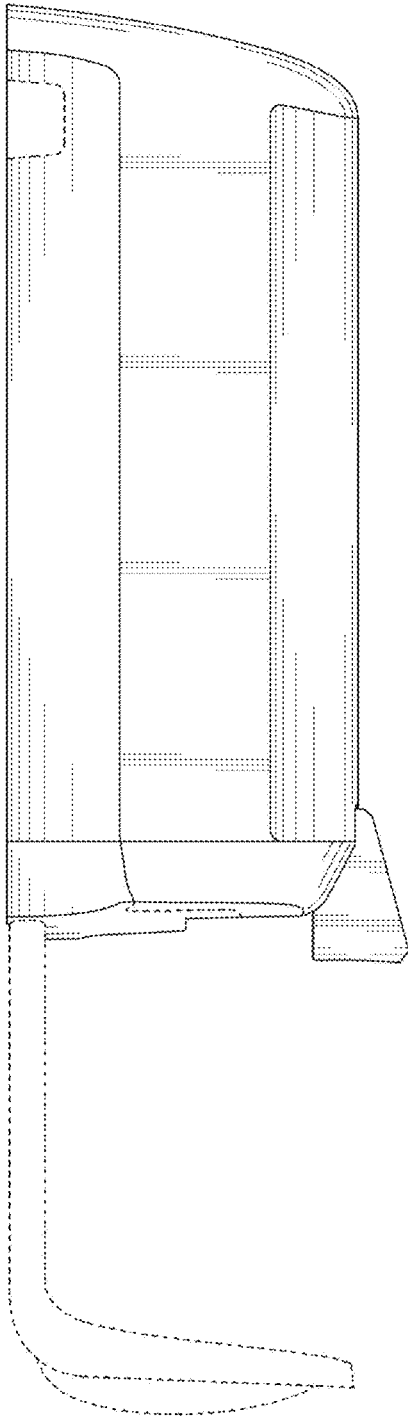


FIG. 6

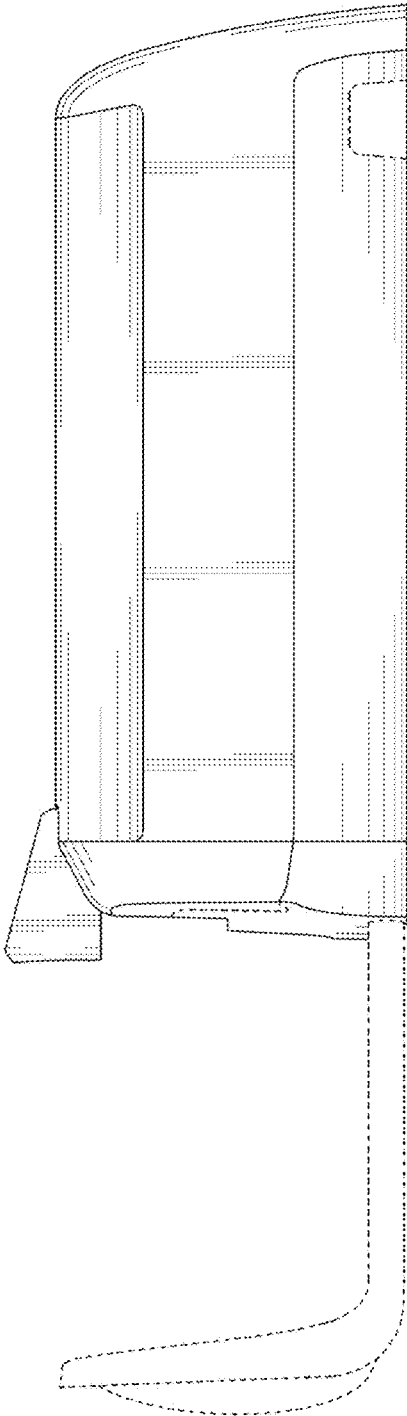


FIG. 7