



- (51) **International Patent Classification:**
B29C 70/44 (2006.01) *B29L 31/08* (2006.01)
B29C 70/54 (2006.01)
- (21) **International Application Number:**
PCT/EP2013/064122
- (22) **International Filing Date:**
4 July 2013 (04.07.2013)
- (25) **Filing Language:** English
- (26) **Publication Language:** English
- (30) **Priority Data:**
12175080.6 5 July 2012 (05.07.2012) EP
- (71) **Applicant:** LM WP PATENT HOLDING A/S [DK/DK];
Jupitervej 6, DK-6000 Kolding (DK).
- (72) **Inventors:** HANSEN, Poul Erik; c/o LM Wind Power A/S,
Jupitervej 6, DK-6000 Kolding (DK). TUMMALA,
Harsha; c/o LM Wind Power A/S, Jupitervej 6, DK-6000
Kolding (DK).
- (74) **Agent:** HUSSEY, Paul; c/o LM Wind Power A/S,
Jupitervej 6, DK-6000 Kolding (DK).
- (81) **Designated States** (unless otherwise indicated, for every
kind of national protection available): AE, AG, AL, AM,
AO, AT, AU, AZ, BA, BB, BG, BH, BN, BR, BW, BY,
BZ, CA, CH, CL, CN, CO, CR, CU, CZ, DE, DK, DM,

DO, DZ, EC, EE, EG, ES, FI, GB, GD, GE, GH, GM, GT,
HN, HR, HU, ID, IL, IN, IS, JP, KE, KG, KN, KP, KR,
KZ, LA, LC, LK, LR, LS, LT, LU, LY, MA, MD, ME,
MG, MK, MN, MW, MX, MY, MZ, NA, NG, NI, NO, NZ,
OM, PA, PE, PG, PH, PL, PT, QA, RO, RS, RU, RW, SC,
SD, SE, SG, SK, SL, SM, ST, SV, SY, TH, TJ, TM, TN,
TR, TT, TZ, UA, UG, US, UZ, VC, VN, ZA, ZM, ZW.

- (84) **Designated States** (unless otherwise indicated, for every
kind of regional protection available): ARIPO (BW, GH,
GM, KE, LR, LS, MW, MZ, NA, RW, SD, SL, SZ, TZ,
UG, ZM, ZW), Eurasian (AM, AZ, BY, KG, KZ, RU, TJ,
TM), European (AL, AT, BE, BG, CH, CY, CZ, DE, DK,
EE, ES, FI, FR, GB, GR, HR, HU, IE, IS, IT, LT, LU, LV,
MC, MK, MT, NL, NO, PL, PT, RO, RS, SE, SI, SK, SM,
TR), OAPI (BF, BJ, CF, CG, CI, CM, GA, GN, GQ, GW,
KM, ML, MR, NE, SN, TD, TG).

Declarations under Rule 4.17:

- as to the applicant's entitlement to claim the priority of the
earlier application (Rule 4.17(iii))

Published:

- with international search report (Art. 21(3))

(88) Date of publication of the international search report:

3 July 2014

(54) **Title:** METHOD AND MOULDING SYSTEM FOR MANUFACTURING A FIBRE-REINFORCED POLYMER OBJECT VIA A FEEDBACK SYSTEM FOR CONTROLLING RESIN FLOW RATE

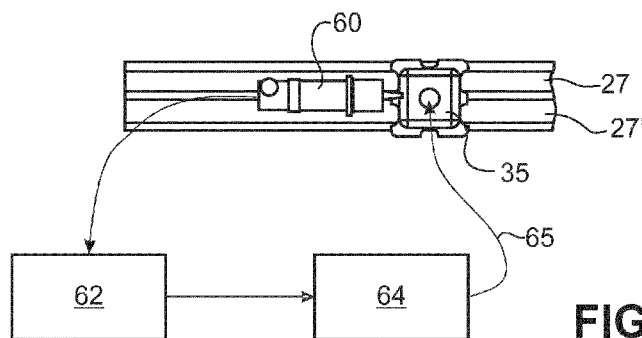


FIG. 9

(57) **Abstract:** A method of manufacturing a fibre-reinforced polymer object (5) by means of vacuum- assisted resin transfer moulding (VARTM), wherein fibre material (16) is impregnated with liquid resin in a mould cavity (44) comprising a rigid mould part (13) having a mould surface (14) defining an outer surface of the object, is described. One or more pressure sensors (60) are connected to resin inlets (27, 27') of the VARTM system. A control unit (62) is used for controlling a polymer supply unit (64) based on measured resin pressure and is adapted to adjusting a resin flow rate, if pressure measured by the pressure sensors is below a lower threshold level or above a higher threshold level.



INTERNATIONAL SEARCH REPORT

International application No
PCT/EP2013/064122

A. CLASSIFICATION OF SUBJECT MATTER
 INV. B29C70/44 B29C70/54
 ADD. B29L31/08

According to International Patent Classification (IPC) or to both national classification and IPC

B. FIELDS SEARCHED

Minimum documentation searched (classification system followed by classification symbols)
 B29C B29L

Documentation searched other than minimum documentation to the extent that such documents are included in the fields searched

Electronic data base consulted during the international search (name of data base and, where practicable, search terms used)
 EPO-Internal, WPI Data

C. DOCUMENTS CONSIDERED TO BE RELEVANT

Category*	Citation of document, with indication, where appropriate, of the relevant passages	Relevant to claim No.
A	EP 2 404 743 A1 (LM GLASFIBER AS [DK]) 11 January 2012 (2012-01-11) cited in the application claim 1 figures 1-7	1-15
A	----- GB 2 403 927 A (JHM TECHNOLOGIES INC [US]) 19 January 2005 (2005-01-19) page 5, line 14 - line 27 -----	1-15

Further documents are listed in the continuation of Box C. See patent family annex.

* Special categories of cited documents :

<p>"A" document defining the general state of the art which is not considered to be of particular relevance</p> <p>"E" earlier application or patent but published on or after the international filing date</p> <p>"L" document which may throw doubts on priority claim(s) or which is cited to establish the publication date of another citation or other special reason (as specified)</p> <p>"O" document referring to an oral disclosure, use, exhibition or other means</p> <p>"P" document published prior to the international filing date but later than the priority date claimed</p>	<p>"T" later document published after the international filing date or priority date and not in conflict with the application but cited to understand the principle or theory underlying the invention</p> <p>"X" document of particular relevance; the claimed invention cannot be considered novel or cannot be considered to involve an inventive step when the document is taken alone</p> <p>"Y" document of particular relevance; the claimed invention cannot be considered to involve an inventive step when the document is combined with one or more other such documents, such combination being obvious to a person skilled in the art</p> <p>"&" document member of the same patent family</p>
---	---

Date of the actual completion of the international search 15 November 2013	Date of mailing of the international search report 25/11/2013
--	---

Name and mailing address of the ISA/ European Patent Office, P.B. 5818 Patentlaan 2 NL - 2280 HV Rijswijk Tel. (+31-70) 340-2040, Fax: (+31-70) 340-3016	Authorized officer Jouannon, Fabien
--	---

INTERNATIONAL SEARCH REPORT

Information on patent family members

International application No

PCT/EP2013/064122

Patent document cited in search report	Publication date	Patent family member(s)	Publication date
EP 2404743	A1	11-01-2012	
		BR PI1103369 A2	25-12-2012
		CN 102310570 A	11-01-2012
		DK 2404743 T3	23-09-2013
		EP 2404743 A1	11-01-2012
		ES 2427971 T3	05-11-2013
		US 2012007269 A1	12-01-2012

GB 2403927	A	19-01-2005	NONE
