

(19) World Intellectual Property Organization  
International Bureau



(43) International Publication Date  
26 July 2007 (26.07.2007)

PCT

(10) International Publication Number  
**WO 2007/082717 A3**

(51) International Patent Classification:  
A61B 5/151 (2006.01)

(21) International Application Number:  
PCT/EP2007/000354

(22) International Filing Date: 17 January 2007 (17.01.2007)

(25) Filing Language: English

(26) Publication Language: English

(30) Priority Data:  
11/275,592 18 January 2006 (18.01.2006) US

(71) Applicant (for DE only): **ROCHE DIAGNOSTICS GMBH** [DE/DE]; Sandhofer Strasse 116, 68305 Mannheim (DE).

(71) Applicant (for all designated States except DE, US): **F. HOFFMANN-LA ROCHE AG** [CH/CH]; Grenzacherstrasse 124, CH-4002 Basel (CH).

(72) Inventors: **ROE, Steven, N.**; 21 Hillbarn Court, San Mateo, CA 94403 (US). **RANEY, Charles, C.**; 156 Rock Grove Court, Camdenton, MO 65020 (US).

(74) Common Representative: **ROCHE DIAGNOSTICS GMBH**; Patent Department, 68298 Mannheim (DE).

(81) Designated States (unless otherwise indicated, for every kind of national protection available): AE, AG, AL, AM, AT, AU, AZ, BA, BB, BG, BR, BW, BY, BZ, CA, CH, CN,

CO, CR, CU, CZ, DE, DK, DM, DZ, EC, EE, EG, ES, FI, GB, GD, GE, GH, GM, GT, HN, HR, HU, ID, IL, IN, IS, JP, KE, KG, KM, KN, KP, KR, KZ, LA, LC, LK, LR, LS, LT, LU, LV, LY, MA, MD, MG, MK, MN, MW, MX, MY, MZ, NA, NG, NI, NO, NZ, OM, PG, PH, PL, PT, RO, RS, RU, SC, SD, SE, SG, SK, SL, SM, SV, SY, TJ, TM, TN, TR, TT, TZ, UA, UG, US, UZ, VC, VN, ZA, ZM, ZW.

(84) Designated States (unless otherwise indicated, for every kind of regional protection available): ARIPO (BW, GH, GM, KE, LS, MW, MZ, NA, SD, SL, SZ, TZ, UG, ZM, ZW), Eurasian (AM, AZ, BY, KG, KZ, MD, RU, TJ, TM), European (AT, BE, BG, CH, CY, CZ, DE, DK, EE, ES, FI, FR, GB, GR, HU, IE, IS, IT, LT, LU, LV, MC, NL, PL, PT, RO, SE, SI, SK, TR), OAPI (BF, BJ, CF, CG, CI, CM, GA, GN, GQ, GW, ML, MR, NE, SN, TD, TG).

**Declaration under Rule 4.17:**

— as to the applicant's entitlement to claim the priority of the earlier application (Rule 4.17(iii))

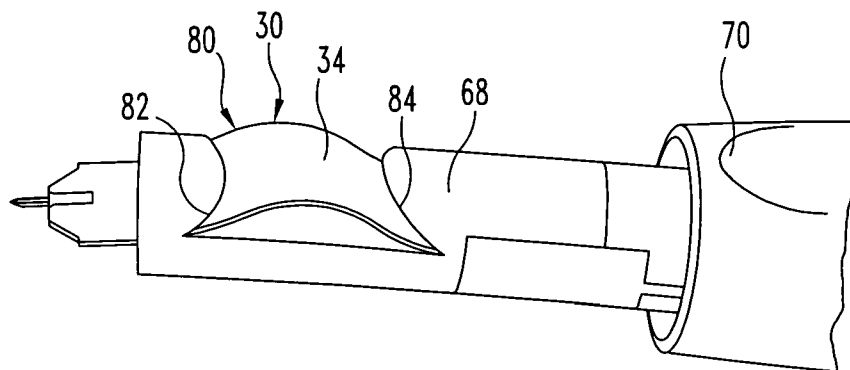
**Published:**

— with international search report  
— before the expiration of the time limit for amending the claims and to be republished in the event of receipt of amendments

(88) Date of publication of the international search report:  
15 November 2007

For two-letter codes and other abbreviations, refer to the "Guidance Notes on Codes and Abbreviations" appearing at the beginning of each regular issue of the PCT Gazette.

(54) Title: INTEGRATED ANALYTICAL TEST ELEMENT



(57) Abstract: A lancet integrated test element (LIT) includes an incision forming member that has a cutting end configured to form an incision in tissue. A test element is attached to the incision forming member to test fluid from the incision. The test element has a sampling end with a sample opening through which the fluid is collected. The test element is bendable from a first state where the cutting end of the incision forming member is retracted from the sampling end of the test element to a second state where at least a portion of the cutting extends past the sampling end of the test element to form the incision in the tissue.

WO 2007/082717 A3

## INTERNATIONAL SEARCH REPORT

International application No

PCT/EP2007/000354

A. CLASSIFICATION OF SUBJECT MATTER  
INV. A61B5/151

According to International Patent Classification (IPC) or to both national classification and IPC

## B. FIELDS SEARCHED

Minimum documentation searched (classification system followed by classification symbols)

A61B

Documentation searched other than minimum documentation to the extent that such documents are included in the fields searched

Electronic data base consulted during the international search (name of data base and, where practical, search terms used)

EPO-Internal

## C. DOCUMENTS CONSIDERED TO BE RELEVANT

Category*	Citation of document, with indication, where appropriate, of the relevant passages	Relevant to claim No.
X	US 2004/186394 A1 (ROE STEVEN N [US] ET AL) 23 September 2004 (2004-09-23)	1, 2, 5, 7-13
Y	paragraphs [0064] - [0074]; figures 6-10	3, 4, 6
Y	US 3 046 987 A (EHRlich JOSEPH C) 31 July 1962 (1962-07-31) column 3, lines 4-24 column 3, lines 65,66 figures 1-6	3, 4
Y	WO 2005/104949 A (ROCHE DIAGNOSTICS GMBH [DE]; HOFFMANN LA ROCHE [CH]; WONG DANIEL [US];) 10 November 2005 (2005-11-10) page 21, line 15 - page 27, line 2; figures 6-9	6
	----- -/--	



Further documents are listed in the continuation of Box C.



See patent family annex.

## \* Special categories of cited documents :

- \*A\* document defining the general state of the art which is not considered to be of particular relevance
- \*E\* earlier document but published on or after the international filing date
- \*L\* document which may throw doubts on priority claim(s) or which is cited to establish the publication date of another citation or other special reason (as specified)
- \*O\* document referring to an oral disclosure, use, exhibition or other means
- \*P\* document published prior to the international filing date but later than the priority date claimed

- \*T\* later document published after the international filing date or priority date and not in conflict with the application but cited to understand the principle or theory underlying the invention
- \*X\* document of particular relevance; the claimed invention cannot be considered novel or cannot be considered to involve an inventive step when the document is taken alone
- \*Y\* document of particular relevance; the claimed invention cannot be considered to involve an inventive step when the document is combined with one or more other such documents, such combination being obvious to a person skilled in the art.
- \*&\* document member of the same patent family

Date of the actual completion of the international search

19 September 2007

Date of mailing of the international search report

27/09/2007

Name and mailing address of the ISA/

European Patent Office, P.B. 5818 Patentlaan 2  
NL - 2280 HV Rijswijk  
Tel. (+31-70) 340-2040, Tx. 31 651 epo nl,  
Fax: (+31-70) 340-3016

Authorized officer

Lommel, André

## INTERNATIONAL SEARCH REPORT

International application No

PCT/EP2007/000354

C(Continuation). DOCUMENTS CONSIDERED TO BE RELEVANT

Category*	Citation of document, with indication, where appropriate, of the relevant passages	Relevant to claim No.
A	US 6 120 676 A (HELLER ADAM [US] ET AL) 19 September 2000 (2000-09-19) column 11, line 61 - column 12, line 14; figure 6 -----	1-13
A	WO 2004/060162 A (ROCHE DIAGNOSTICS GMBH [DE]; HOFFMANN LA ROCHE [CH]; ROE STEVEN N [US]) 22 July 2004 (2004-07-22) page 9, line 14 - page 15, line 25; figures 1-6 -----	1-13
A	US 2005/013731 A1 (BURKE DAVID W [US] ET AL) 20 January 2005 (2005-01-20) -----	

# INTERNATIONAL SEARCH REPORT

International application No.  
PCT/EP2007/000354

## Box II Observations where certain claims were found unsearchable (Continuation of item 2 of first sheet)

This International Search Report has not been established in respect of certain claims under Article 17(2)(a) for the following reasons:

1.  Claims Nos.: 14-20  
because they relate to subject matter not required to be searched by this Authority, namely:  
Rule 39.1(iv) PCT - Method for treatment of the human or animal body by surgery
2.  Claims Nos.:  
because they relate to parts of the International Application that do not comply with the prescribed requirements to such an extent that no meaningful International Search can be carried out, specifically:
3.  Claims Nos.:  
because they are dependent claims and are not drafted in accordance with the second and third sentences of Rule 6.4(a).

## Box III Observations where unity of invention is lacking (Continuation of item 3 of first sheet)

This International Searching Authority found multiple inventions in this international application, as follows:

1.  As all required additional search fees were timely paid by the applicant, this International Search Report covers all searchable claims.
2.  As all searchable claims could be searched without effort justifying an additional fee, this Authority did not invite payment of any additional fee.
3.  As only some of the required additional search fees were timely paid by the applicant, this International Search Report covers only those claims for which fees were paid, specifically claims Nos.:
4.  No required additional search fees were timely paid by the applicant. Consequently, this International Search Report is restricted to the invention first mentioned in the claims; it is covered by claims Nos.:

### Remark on Protest

- The additional search fees were accompanied by the applicant's protest.
- No protest accompanied the payment of additional search fees.

# INTERNATIONAL SEARCH REPORT

Information on patent family members

International application No PCT/EP2007/000354
---

Patent document cited in search report	Publication date	Publication date	Patent family member(s)	Publication date
US 2004186394	A1	23-09-2004	NONE	
US 3046987	A	31-07-1962	NONE	
WO 2005104949	A	10-11-2005	EP 1737345 A1	03-01-2007
US 6120676	A	19-09-2000	AT 227844 T	15-11-2002
			AU 6157898 A	26-08-1998
			DE 69809391 D1	19-12-2002
			DE 69809391 T2	10-07-2003
			DK 958495 T3	10-03-2003
			EP 0958495 A1	24-11-1999
			ES 2184236 T3	01-04-2003
			JP 3394262 B2	07-04-2003
			JP 2000509507 T	25-07-2000
			JP 2003028826 A	29-01-2003
			WO 9835225 A1	13-08-1998
			US 6143164 A	07-11-2000
			US 6576101 B1	10-06-2003
WO 2004060162	A	22-07-2004	AU 2003300940 A1	29-07-2004
			EP 1581114 A1	05-10-2005
US 2005013731	A1	20-01-2005	NONE	