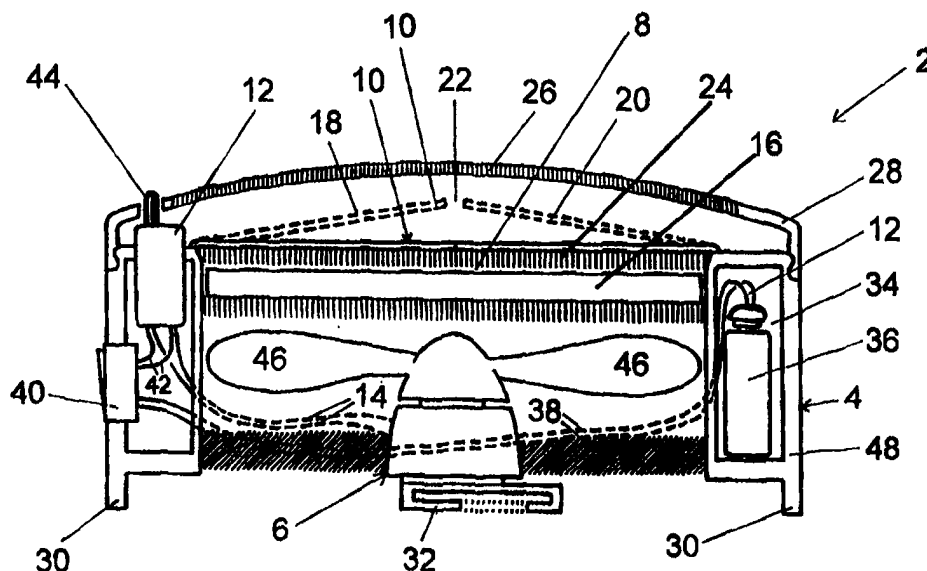




INTERNATIONAL APPLICATION PUBLISHED UNDER THE PATENT COOPERATION TREATY (PCT)

<p>(51) International Patent Classification ⁶ : A61L 9/12</p>	<p>A3</p>	<p>(11) International Publication Number: WO 98/46280 (43) International Publication Date: 22 October 1998 (22.10.98)</p>
<p>(21) International Application Number: PCT/GB98/01032 (22) International Filing Date: 8 April 1998 (08.04.98) (30) Priority Data: 9707361.3 11 April 1997 (11.04.97) GB 9710116.6 16 May 1997 (16.05.97) GB (71)(72) Applicant and Inventor: CHOWN, Peter, Arthur, Charles [GB/GB]; Strawberry House, Foldgate Lane, Magdalen, King's Lynn, Norfolk PE34 3DA (GB). (74) Agent: JONES, Graham, Henry; Graham Jones & Company, 77 Beaconsfield Road, Blackheath, London SE3 7LG (GB).</p>	<p>(81) Designated States: AL, AM, AT, AU, AZ, BA, BB, BG, BR, BY, CA, CH, CN, CU, CZ, DE, DK, EE, ES, FI, GB, GE, GH, GM, GW, HU, ID, IL, IS, JP, KE, KG, KP, KR, KZ, LC, LK, LR, LS, LT, LU, LV, MD, MG, MK, MN, MW, MX, NO, NZ, PL, PT, RO, RU, SD, SE, SG, SI, SK, SL, TJ, TM, TR, TT, UA, UG, US, UZ, VN, YU, ZW, ARIPO patent (GH, GM, KE, LS, MW, SD, SZ, UG, ZW), Eurasian patent (AM, AZ, BY, KG, KZ, MD, RU, TJ, TM), European patent (AT, BE, CH, CY, DE, DK, ES, FI, FR, GB, GR, IE, IT, LU, MC, NL, PT, SE), OAPI patent (BF, BJ, CF, CG, CI, CM, GA, GN, ML, MR, NE, SN, TD, TG).</p> <p>Published <i>With international search report.</i></p> <p>(88) Date of publication of the international search report: 21 January 1999 (21.01.99)</p>	

(54) Title: APPARATUS FOR DISPENSING A CHEMICAL



(57) Abstract

Apparatus (2) for dispensing a chemical into the air, comprising a housing (4), a battery-operated fan (6) in the housing (4), a chamber (8) in the housing (4) for receiving the chemical, dispensing means (10) operable between a first state in which the chemical is dispensed and a second state in which the chemical is not dispensed, and battery-operated control means (12) for controlling the operation of the fan (6) and the dispensing means (10) so that the dispensing means (10) is in the first state for pre-determinable periods and so that the fan (6) operates when the dispensing means (10) is in the first state thereby to maximise dispersal of the chemical in the air (Figure 1). Apparatus (2) for dispensing a chemical into a person's mouth is also disclosed (Figure 6).

FOR THE PURPOSES OF INFORMATION ONLY

Codes used to identify States party to the PCT on the front pages of pamphlets publishing international applications under the PCT.

AL	Albania	ES	Spain	LS	Lesotho	SI	Slovenia
AM	Armenia	FI	Finland	LT	Lithuania	SK	Slovakia
AT	Austria	FR	France	LU	Luxembourg	SN	Senegal
AU	Australia	GA	Gabon	LV	Latvia	SZ	Swaziland
AZ	Azerbaijan	GB	United Kingdom	MC	Monaco	TD	Chad
BA	Bosnia and Herzegovina	GE	Georgia	MD	Republic of Moldova	TG	Togo
BB	Barbados	GH	Ghana	MG	Madagascar	TJ	Tajikistan
BE	Belgium	GN	Guinea	MK	The former Yugoslav Republic of Macedonia	TM	Turkmenistan
BF	Burkina Faso	GR	Greece	ML	Mali	TR	Turkey
BG	Bulgaria	HU	Hungary	MN	Mongolia	TT	Trinidad and Tobago
BJ	Benin	IE	Ireland	MR	Mauritania	UA	Ukraine
BR	Brazil	IL	Israel	MW	Malawi	UG	Uganda
BY	Belarus	IS	Iceland	MX	Mexico	US	United States of America
CA	Canada	IT	Italy	NE	Niger	UZ	Uzbekistan
CF	Central African Republic	JP	Japan	NL	Netherlands	VN	Viet Nam
CG	Congo	KE	Kenya	NO	Norway	YU	Yugoslavia
CH	Switzerland	KG	Kyrgyzstan	NZ	New Zealand	ZW	Zimbabwe
CI	Côte d'Ivoire	KP	Democratic People's Republic of Korea	PL	Poland		
CM	Cameroon	KR	Republic of Korea	PT	Portugal		
CN	China	KZ	Kazakstan	RO	Romania		
CU	Cuba	LC	Saint Lucia	RU	Russian Federation		
CZ	Czech Republic	LI	Liechtenstein	SD	Sudan		
DE	Germany	LK	Sri Lanka	SE	Sweden		
DK	Denmark	LR	Liberia	SG	Singapore		
EE	Estonia						

INTERNATIONAL SEARCH REPORT

Internat. Application No
PCT/GB 98/01032

A. CLASSIFICATION OF SUBJECT MATTER
IPC 6 A61L9/12

According to International Patent Classification (IPC) or to both national classification and IPC

B. FIELDS SEARCHED

Minimum documentation searched (classification system followed by classification symbols)
IPC 6 A61L A01M A61M

Documentation searched other than minimum documentation to the extent that such documents are included in the fields searched

Electronic data base consulted during the international search (name of data base and, where practical, search terms used)

C. DOCUMENTS CONSIDERED TO BE RELEVANT

Category	Citation of document, with indication, where appropriate, of the relevant passages	Relevant to claim No.
Y	US 3 971 377 A (DAMANI NALINKANT C) 27 July 1976 see claims; figures ---	1-31
Y	US 4 383 951 A (PALSON RICHARD C J) 17 May 1983 see claims; figures ---	1-31
Y	WO 80 00792 A (GEORGIA PACIFIC CORP) 1 May 1980 see claims; figure 1 ---	1-31
A	US 4 743 406 A (STEINER ROBERT L ET AL) 10 May 1988 see claims --- -/--	1-31

Further documents are listed in the continuation of box C.

Patent family members are listed in annex.

° Special categories of cited documents :

- "A" document defining the general state of the art which is not considered to be of particular relevance
- "E" earlier document but published on or after the international filing date
- "L" document which may throw doubts on priority claim(s) or which is cited to establish the publication date of another citation or other special reason (as specified)
- "O" document referring to an oral disclosure, use, exhibition or other means
- "P" document published prior to the international filing date but later than the priority date claimed

- "T" later document published after the international filing date or priority date and not in conflict with the application but cited to understand the principle or theory underlying the invention
- "X" document of particular relevance; the claimed invention cannot be considered novel or cannot be considered to involve an inventive step when the document is taken alone
- "Y" document of particular relevance; the claimed invention cannot be considered to involve an inventive step when the document is combined with one or more other such documents, such combination being obvious to a person skilled in the art.
- "&" document member of the same patent family

Date of the actual completion of the international search

1 October 1998

Date of mailing of the international search report

09/10/1998

Name and mailing address of the ISA

European Patent Office, P.B. 5818 Patentlaan 2
NL - 2280 HV Rijswijk
Tel. (+31-70) 340-2040, Tx. 31 651 epo nl,
Fax: (+31-70) 340-3016

Authorized officer

ESPINOSA, M

INTERNATIONAL SEARCH REPORT

International Application No
PCT/GB 98/01032

C.(Continuation) DOCUMENTS CONSIDERED TO BE RELEVANT		
Category	Citation of document, with indication, where appropriate, of the relevant passages	Relevant to claim No.
A	EP 0 485 134 A (STEINER CO INC) 13 May 1992 see claims; figures ---	1-31
A	US 5 547 616 A (DANCS IMRE J ET AL) 20 August 1996 see figures ---	1-31
A	FR 2 592 304 A (FACT ANAL) 3 July 1987 ---	
A	GB 2 092 448 A (VAPORTEK INC) 18 August 1982 ---	
A	GB 2 247 623 A (SECTO CO LTD) 11 March 1992 ---	
A	DE 44 09 598 A (RIEBL GUENTER ;MALLINOWSKI IVAN (DE)) 28 September 1995 ---	
A	CH 125 091 A (FRANK CHRISTOPHER ANDREW) 2 April 1928 -----	

INTERNATIONAL SEARCH REPORT

Information on patent family members

International Application No

PCT/GB 98/01032

Patent document cited in search report	A	Publication date	Patent family member(s)	Publication date
US 3971377	A	27-07-1976	NONE	
<hr/>				
US 4383951	A	17-05-1983	NONE	
<hr/>				
WO 8000792	A	01-05-1980	US 4294778 A	13-10-1981
			AU 530675 B	28-07-1983
			AU 5181579 A	24-04-1980
			CA 1140041 A	25-01-1983
			CA 1145244 A	26-04-1983
			CA 1158186 A	06-12-1983
			DK 258880 A	17-06-1980
			EP 0019626 A	10-12-1980
			EP 0098916 A	25-01-1984
			JP 55500799 T	16-10-1980
			US 4396557 A	02-08-1983
<hr/>				
US 4743406	A	10-05-1988	CA 1280091 A	12-02-1991
			CA 1295578 A	11-02-1992
			DE 3785842 A	17-06-1993
			DK 171156 B	08-07-1996
			EP 0274813 A	20-07-1988
			JP 1689110 C	11-08-1992
			JP 3052748 B	12-08-1991
			JP 63272354 A	09-11-1988
			US RE33864 E	31-03-1992
<hr/>				
EP 0485134	A	13-05-1992	US 5126078 A	30-06-1992
			AT 141169 T	15-08-1996
			CA 2044780 A	06-05-1992
			DE 69121357 D	19-09-1996
			DE 69121357 T	12-12-1996
			EP 0694311 A	31-01-1996
			ES 2090258 T	16-10-1996
			JP 4282164 A	07-10-1992
			US 5223182 A	29-06-1993
<hr/>				
US 5547616	A	20-08-1996	AT 167632 T	15-07-1998
			AU 5638896 A	29-11-1996
			CA 2220229 A	14-11-1996
			DE 69600378 D	30-07-1998

INTERNATIONAL SEARCH REPORT

Information on patent family members

International Application No PCT/GB 98/01032

Patent document cited in search report	Publication date	Patent family member(s)	Publication date
US 5547616 A		EP 0792171 A EP 0807442 A ES 2117898 T PL 323318 A WO 9636056 A	03-09-1997 19-11-1997 16-08-1998 16-03-1998 14-11-1996
FR 2592304 A	03-07-1987	FR 2614535 A	04-11-1988
GB 2092448 A	18-08-1982	US 4377399 A CA 1186986 A DE 3203649 A FR 2499415 A JP 57147418 A	22-03-1983 14-05-1985 19-08-1982 13-08-1982 11-09-1982
GB 2247623 A	11-03-1992	NONE	
DE 4409598 A	28-09-1995	NONE	
CH 125091 A		NONE	