

(19) World Intellectual Property Organization
International Bureau



(43) International Publication Date
5 June 2003 (05.06.2003)

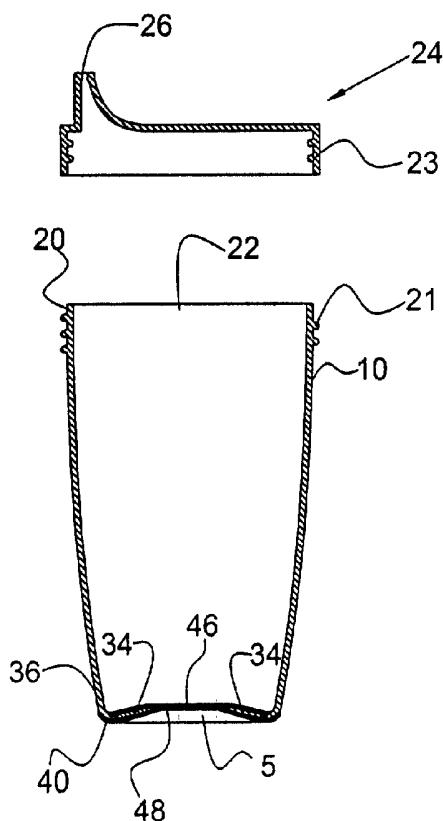
PCT

(10) International Publication Number
WO 03/045200 A3

- (51) International Patent Classification⁷: A61J 9/00
- (21) International Application Number: PCT/US02/37997
- (22) International Filing Date:
27 November 2002 (27.11.2002)
- (25) Filing Language: English
- (26) Publication Language: English
- (30) Priority Data:
60/333,564 27 November 2001 (27.11.2001) US
Not furnished 22 November 2002 (22.11.2002) US
- (71) Applicant: PLAYTEX PRODUCTS, INC. [US/US]; 300 Nyala Farms Road, Westport, CT 06880 (US).
- (72) Inventors: CLARK, Joseph, Martin; 42 Glendale Court, Naugatuck, CT 06770 (US). CHOMIK, Richard, Steven; 7 Sycamore Road, Middlesex, New Jersey 08846 (US).
- (74) Agent: RUGGIERO, Charles, N., J.; Ohlandt, Greeley, Ruggiero & Perle, L.L.P., 10th Floor, One Landmark Square, Stamford, CT 06901 (US).
- (81) Designated States (*national*): AE, AG, AL, AM, AT, AU, AZ, BA, BB, BG, BR, BY, BZ, CA, CH, CN, CO, CR, CU, CZ, DE, DK, DM, DZ, EC, EE, ES, FI, GB, GD, GE, GH, GM, HR, HU, ID, IL, IN, IS, JP, KE, KG, KP, KR, KZ, LC, LK, LR, LS, LT, LU, LV, MA, MD, MG, MK, MN, MW, MX, MZ, NO, NZ, OM, PH, PL, PT, RO, RU, SD, SE, SG, SI, SK, SL, TJ, TM, TN, TR, TT, TZ, UA, UG, UZ, VN, YU, ZA, ZM, ZW.
- (84) Designated States (*regional*): ARIPO patent (GH, GM, KE, LS, MW, MZ, SD, SL, SZ, TZ, UG, ZM, ZW), Eurasian patent (AM, AZ, BY, KG, KZ, MD, RU, TJ, TM), European patent (AT, BE, BG, CH, CY, CZ, DE, DK, EE, ES, FI, FR, GB, GR, IE, IT, LU, MC, NL, PT, SE, SK, TR), OAPI patent (BF, BJ, CF, CG, CI, CM, GA, GN, GQ, GW, ML, MR, NE, SN, TD, TG).

[Continued on next page]

(54) Title: SPILL-PROOF CUP ASSEMBLY WITH VENTED BOTTOM



(57) Abstract: There is provided a spill proof cup assembly having a cap (24) with at least one spout outlet (26), a cup (10) with an upper open portion (22) adapted to securely and sealingly receive the cap (24), and a thermoplastic elastomer, or similar elastomeric material, co-molded bottom portion (40) with a vent disposed therein for allowing air to enter the cup as fluid exits through the spout outlet. The result is a one-way flow of air.



WO 03/045200 A3



Published:

— *with international search report*

(88) Date of publication of the international search report:

9 October 2003

For two-letter codes and other abbreviations, refer to the "Guidance Notes on Codes and Abbreviations" appearing at the beginning of each regular issue of the PCT Gazette.

INTERNATIONAL SEARCH REPORT

International application No.

PCT/US02/37997

A. CLASSIFICATION OF SUBJECT MATTER

IPC(7) : A61J 9/00
 US CL : 220/717, 711; 215/11.5, 11.6, 11.1

According to International Patent Classification (IPC) or to both national classification and IPC

B. FIELDS SEARCHED

Minimum documentation searched (classification system followed by classification symbols)
 U.S. : 220/717, 711, 913; 215/11.5, 11.6, 11.1, 2, 902

Documentation searched other than minimum documentation to the extent that such documents are included in the fields searched

Electronic data base consulted during the international search (name of data base and, where practicable, search terms used)

C. DOCUMENTS CONSIDERED TO BE RELEVANT

Category *	Citation of document, with indication, where appropriate, of the relevant passages	Relevant to claim No.
X, P	6,398,048 B1 (KEVORKIAN) 04 June 2002 (04.06.2002), See the whole document.	1-21

Further documents are listed in the continuation of Box C.

See patent family annex.

<p>* Special categories of cited documents:</p> <p>"A" document defining the general state of the art which is not considered to be of particular relevance</p> <p>"E" earlier application or patent published on or after the international filing date</p> <p>"L" document which may throw doubts on priority claim(s) or which is cited to establish the publication date of another citation or other special reason (as specified)</p> <p>"O" document referring to an oral disclosure, use, exhibition or other means</p> <p>"P" document published prior to the international filing date but later than the priority date claimed</p>	<p>"T" later document published after the international filing date or priority date and not in conflict with the application but cited to understand the principle or theory underlying the invention</p> <p>"X" document of particular relevance; the claimed invention cannot be considered novel or cannot be considered to involve an inventive step when the document is taken alone</p> <p>"Y" document of particular relevance; the claimed invention cannot be considered to involve an inventive step when the document is combined with one or more other such documents, such combination being obvious to a person skilled in the art</p> <p>"&" document member of the same patent family</p>
---	---

Date of the actual completion of the international search

24 February 2003 (24.02.2003)

Date of mailing of the international search report

12 MAR 2003

Name and mailing address of the ISA/US

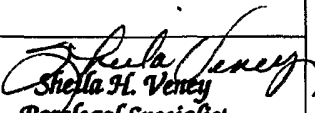
Commissioner of Patents and Trademarks
 Box PCT
 Washington, D.C. 20231

Facsimile No. (703)305-3230

Authorized officer

Stephen J. Castellano

Telephone No. 703-308-1148


Sheila H. Veney
Paralegal Specialist
Tech. Center 3700