



(12) **United States Design Patent**
Jani et al.

(10) **Patent No.:** **US D688,438 S**
(45) **Date of Patent:** **** Aug. 27, 2013**

(54) **CONFECTIONARY**

(74) *Attorney, Agent, or Firm* — Cantor Colburn LLP

(75) Inventors: **Bharat Jani**, East Brunswick, NJ (US);
Cesar C. Elejalde, Randolph, NJ (US);
Colleen Kramer, Denville, NJ (US);
Simone O'Neill, Wayne, NJ (US); **Aditi Shetty**, Morris Plains, NJ (US); **Devang Sutaria**, Landing, NJ (US); **Eric Mecrin**, Saint Benoit (FR)

(57) **CLAIM**

We claim, the ornamental design for a confectionary, as shown and described.

(73) Assignee: **Kraft Foods Global Brands LLC**, Northfield, IL (US)

DESCRIPTION

(**) Term: **14 Years**

FIG. 1 is a perspective view of a confectionary, showing our new design in a first embodiment;

(21) Appl. No.: **29/399,675**

FIG. 2 is a side elevation view of the embodiment shown in FIG. 1, the opposite side view being a mirror image thereof; FIG. 3 is a top plan view of the embodiment shown in FIG. 1; FIG. 4 is a bottom plan view of the embodiment shown in FIG. 1;

(22) Filed: **Aug. 17, 2011**

(51) **LOC (9) Cl.** **01-01**

FIG. 5 is a front elevation view of the embodiment shown in FIG. 1;

(52) **U.S. Cl.**

USPC **D1/127**

FIG. 6 is a back elevation view of the embodiment shown in FIG. 1;

(58) **Field of Classification Search**

USPC D1/100-199; D24/101, 102; 426/3, 426/5, 87, 89, 92, 103, 104, 129, 138, 144, 426/249, 660, 383, 512, 516, 808; 424/467; D25/113, 119, 121-132; D21/499; D5/55-58, D5/62

FIG. 7 is a perspective view of a confectionary, showing our new design in a second embodiment;

See application file for complete search history.

FIG. 8 is a side elevation view of the embodiment shown in FIG. 7, the opposite side view being a mirror image thereof; FIG. 9 is a top plan view of the embodiment shown in FIG. 7; FIG. 10 is a bottom plan view of the embodiment shown in FIG. 7;

(56) **References Cited**

U.S. PATENT DOCUMENTS

692,323	A	*	2/1902	Marine	426/249
1,517,017	A	*	11/1924	Roth	439/491
1,771,981	A	*	7/1930	Mustin	426/5
1,771,982	A	*	7/1930	Mustin	426/5
1,855,145	A	*	4/1932	Jones	426/87
D87,305	S	*	7/1932	Hawks	D1/115
1,886,763	A	*	11/1932	Trettin	426/68
RE19,153	E	*	5/1934	Battista	426/95
2,039,398	A	*	5/1936	Dye	52/847

(Continued)

FIG. 11 is a front elevation view of the embodiment shown in FIG. 7; and,

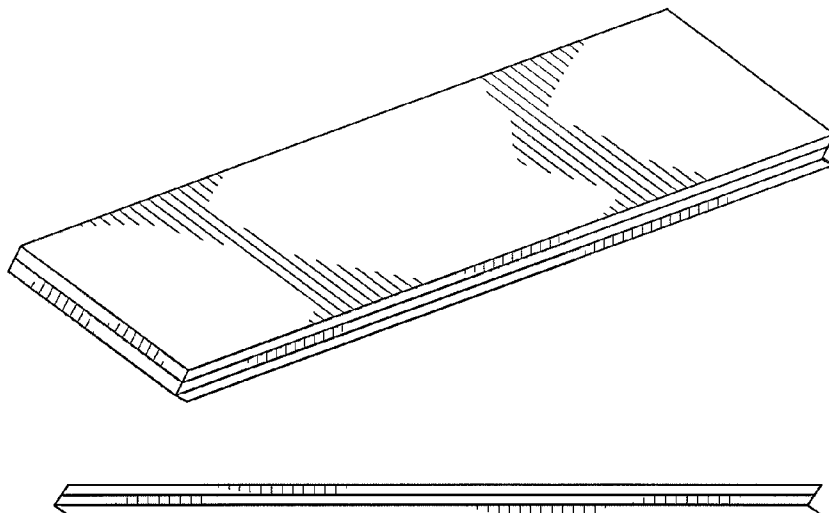
FIG. 12 is a back elevation view of the embodiment shown in FIG. 7.

The stippling shown in FIGS. 7-12 represents a contrast in appearance.

Also, references to "side," "top," "bottom," "front," and "back" in the Figure Descriptions are not necessarily meant to require any specific orientation of the article as viewed. A confectionary according to the claimed design may be used in any orientation.

Primary Examiner — Barbara Fox

1 Claim, 2 Drawing Sheets



(56)

References Cited

U.S. PATENT DOCUMENTS

2,060,490	A *	11/1936	Borbely	426/92	D462,458	S *	9/2002	Hughes et al.	D25/122
2,213,687	A *	9/1940	Brassert	52/232	6,562,382	B1 *	5/2003	Corriveau et al.	426/5
D137,202	S *	2/1944	Scott	D28/8.1	D485,963	S *	2/2004	Norton	D1/127
2,613,185	A *	10/1952	Marshall	510/146	6,759,069	B2 *	7/2004	Gray	426/89
2,659,163	A *	11/1953	Albee	273/273	D500,576	S *	1/2005	Kraus	D1/199
2,685,517	A *	8/1954	Dunmire	426/72	D500,908	S *	1/2005	Hare et al.	D1/199
D202,920	S *	11/1965	Muesing	D6/518	7,172,783	B2 *	2/2007	Murray et al.	426/582
3,549,389	A *	12/1970	Peterson	426/127	D598,635	S *	8/2009	Geoffrion et al.	D1/127
4,083,155	A *	4/1978	Lampert	52/93.1	D605,828	S *	12/2009	Brown et al.	D1/127
4,260,635	A *	4/1981	Fisher	426/3	D616,177	S *	5/2010	Brown et al.	D1/127
D271,439	S *	11/1983	Schumacher	D1/127	D617,079	S *	6/2010	Brown et al.	D1/127
D271,534	S *	11/1983	Huzinec	D1/127	D641,947	S *	7/2011	Bruyey et al.	D1/127
4,455,321	A *	6/1984	Glabe et al.	426/549	D641,950	S *	7/2011	Bruyey et al.	D1/127
4,751,096	A *	6/1988	Nada et al.	426/643	D641,953	S *	7/2011	Bruyey et al.	D1/127
4,781,929	A *	11/1988	Hoashi	426/92	D644,001	S *	8/2011	Bruyey et al.	D1/127
4,822,622	A *	4/1989	Dokuzovic et al.	426/5	D647,276	S *	10/2011	Bruyey et al.	D1/127
4,889,729	A *	12/1989	Aujourd'hui	426/94	8,105,000	B2 *	1/2012	Goudemond et al.	407/119
D315,437	S *	3/1991	Stein	D1/128	D655,067	S *	3/2012	Bruyey et al.	D1/127
5,091,198	A *	2/1992	Hoashi	426/92	D655,068	S *	3/2012	Bruyey et al.	D1/127
5,538,742	A *	7/1996	McHale et al.	426/5	2004/0247746	A1 *	12/2004	Pearce et al.	426/89
5,712,030	A *	1/1998	Goto et al.	428/332	2006/0204451	A1 *	9/2006	Salini	424/48
5,834,044	A *	11/1998	Schmitz et al.	426/73	2007/0014889	A1 *	1/2007	McHale et al.	426/5
5,928,692	A *	7/1999	Mayfield	426/89	2007/0231427	A1 *	10/2007	Ream	426/5
D426,935	S *	6/2000	Zaug et al.	D1/199	2009/0028998	A1 *	1/2009	Elejalde et al.	426/5
D431,342	S *	10/2000	Wright et al.	D1/129	2009/0053390	A1 *	2/2009	Sakou et al.	426/660
D433,083	S *	10/2000	Griffith	D21/707	2009/0148568	A1 *	6/2009	Kawamura et al.	426/89
6,165,521	A *	12/2000	Mayfield	426/90	2009/0214720	A1 *	8/2009	Almenares et al.	426/101
D439,392	S *	3/2001	Kauffman et al.	D1/121	2011/0189376	A1 *	8/2011	Elejalde et al.	426/660
					2012/0034346	A1 *	2/2012	Morgan	426/72

* cited by examiner

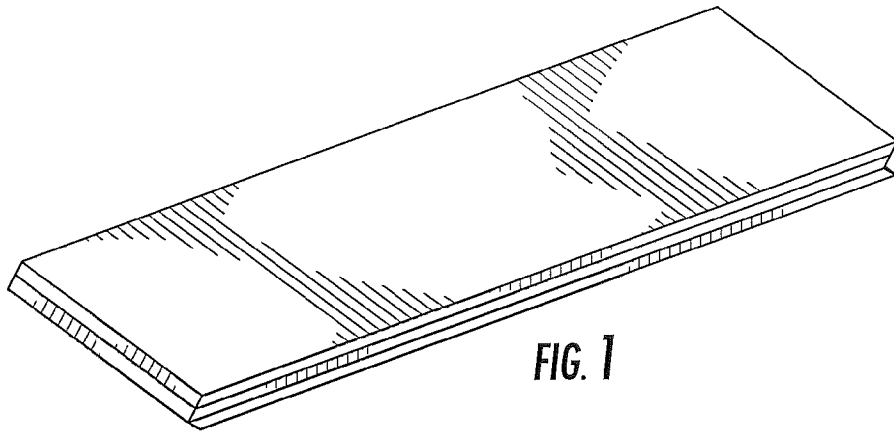


FIG. 1

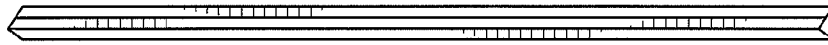


FIG. 2

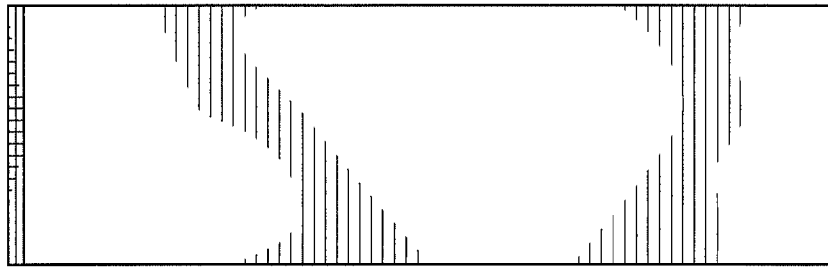


FIG. 3

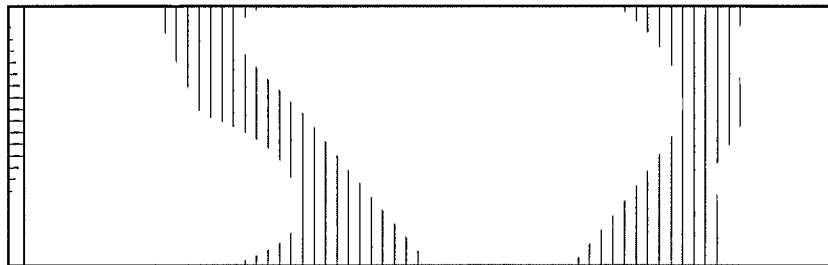


FIG. 4



FIG. 5



FIG. 6

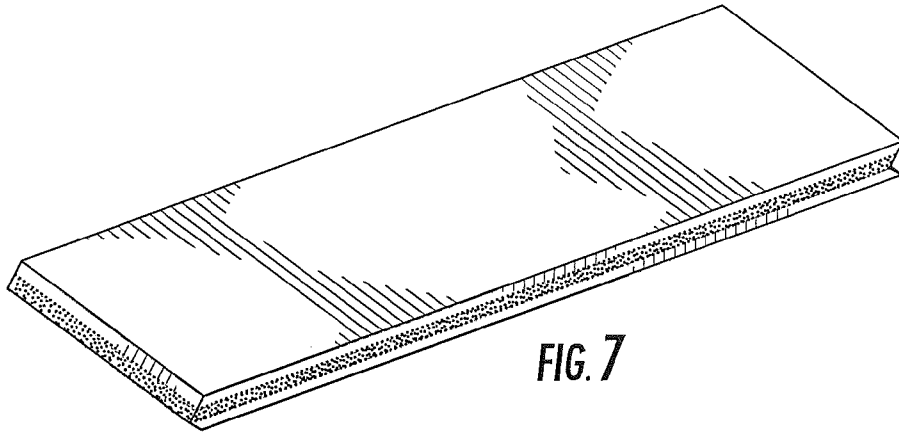


FIG. 7

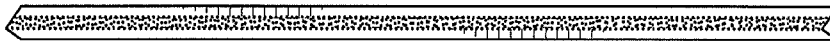


FIG. 8

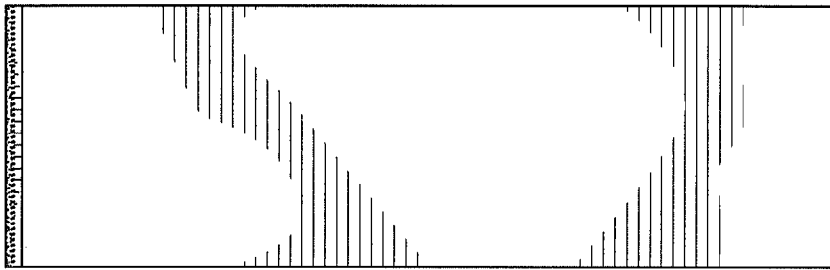


FIG. 9

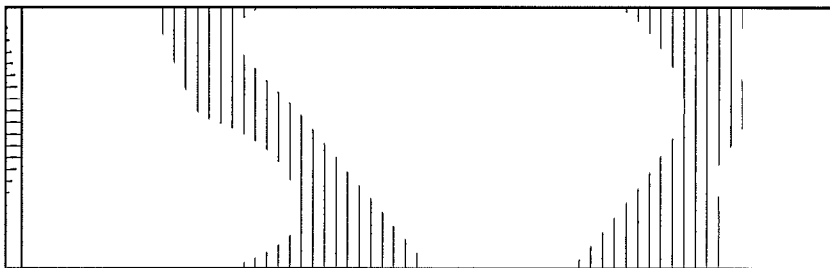


FIG. 10

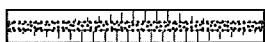


FIG. 11



FIG. 12