

(19) World Intellectual Property Organization  
International Bureau



(43) International Publication Date  
25 March 2004 (25.03.2004)

PCT

(10) International Publication Number  
WO 2004/025229 A1

(51) International Patent Classification<sup>7</sup>: G01F 15/00, 15/02

[IL/IL]; Yair St. 13, Zichon Yaacov, 30900 Zichron Yaakov (IL). BAR-OR, Jonathan [IL/IL]; Kibbutz Degania A, 15120 Jordan Valley (IL).

(21) International Application Number: PCT/IL2003/000727

(74) Agent: REINHOLD COHN AND PARTNERS; P.O. Box 4060, 61040 Tel Aviv, 1040 Tel Aviv (IL).

(22) International Filing Date: 4 September 2003 (04.09.2003)

(81) Designated States (national): AE, AG, AL, AM, AT, AU, AZ, BA, BB, BG, BR, BY, BZ, CA, CH, CN, CO, CR, CU, CZ, DE, DK, DM, DZ, EC, EE, ES, FI, GB, GD, GE, GH, GM, HR, HU, ID, IL, IN, IS, JP, KE, KG, KP, KR, KZ, LC, LK, LR, LS, LT, LU, LV, MA, MD, MG, MK, MN, MW, MX, MZ, NI, NO, NZ, OM, PG, PH, PL, PT, RO, RU, SC, SD, SE, SG, SK, SL, SY, TJ, TM, TN, TR, TT, TZ, UA, UG, US, UZ, VC, VN, YU, ZA, ZM, ZW.

(25) Filing Language: English

(26) Publication Language: English

(30) Priority Data: 151748 12 September 2002 (12.09.2002) IL

(71) Applicant (for all designated States except US): A.R.I. FLOW CONTROL ACCESSORIES AGRICULTURAL COOPERATIVE ASSOCIATION, LTD. [IL/IL]; Kibbutz Kfar Charuv, D.N. Ramat Hagolan 12932, IL-12932 D.N. Ramat Hagolan (IL).

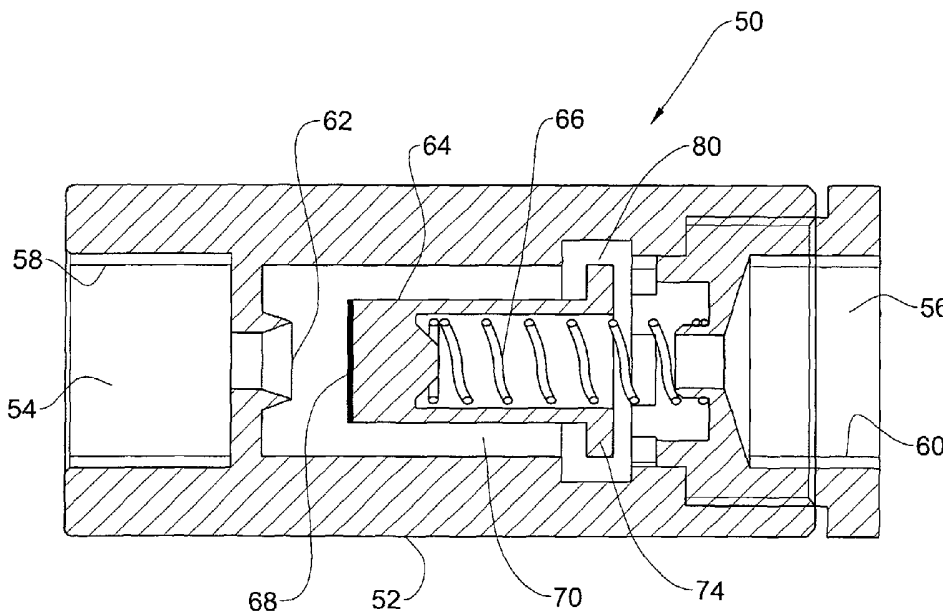
(84) Designated States (regional): ARIPO patent (GH, GM, KE, LS, MW, MZ, SD, SL, SZ, TZ, UG, ZM, ZW), Eurasian patent (AM, AZ, BY, KG, KZ, MD, RU, TJ, TM), European patent (AT, BE, BG, CH, CY, CZ, DE, DK, EE, ES, FI, FR, GB, GR, HU, IE, IT, LU, MC, NL, PT, RO, SE, SI, SK, TR), OAPI patent (BF, BJ, CF, CG, CI, CM, GA, GN, GQ, GW, ML, MR, NE, SN, TD, TG).

(72) Inventors; and

(75) Inventors/Applicants (for US only): ZAKAI, Avraham

[Continued on next page]

(54) Title: VALVE FOR PREVENTION OF LOW FLOW RATES THROUGH FLOW METER



(57) Abstract: A flow responsive valve for a flow metering system comprising a fluid meter having a minimum measuring flow threshold. The valve is shiftable between an open position at flow rates above the minimum measuring flow threshold, and a pressure pulsating position depending on pressure differential over an inlet port and an outlet port of the valve. The pressure pulsating position alters between a closed position essentially prohibiting fluid flow therethrough at flow rates below the minimum measuring flow threshold, and an open position admitting fluid flow into the supply line at a measurable flow rate above the minimum measuring flow threshold.

WO 2004/025229 A1



**Published:**

— *with international search report*

*For two-letter codes and other abbreviations, refer to the "Guidance Notes on Codes and Abbreviations" appearing at the beginning of each regular issue of the PCT Gazette.*

## VALVE FOR PREVENTION OF LOW FLOW RATES THROUGH FLOW METER

**5 FIELD OF THE INVENTION**

This invention relates to a method, a system and a device for metering fluid flow. More particularly the invention is concerned with a method rendering a conventional fluid meter suitable for metering also significantly low flow rates, even below the measurable flow rate of the metering device. The invention is  
10 further concerned with a fluid flow measuring system and a device useful for carrying out the method.

**BACKGROUND OF THE INVENTION**

The measurement and monitoring of low volume fluid flows has various applications including applications in industrial and residential settings. For  
15 example, in the chemical industry the accurate and precise knowledge of inlet and outlet flows for a myriad of processes (e.g. chemical reactions) can be critical to the optimal production and processing of chemicals, pharmaceuticals and the like. Precise monitoring of flows can also be used to discover and prevent leaks which can be costly and be a safety issue.

20 Additionally, the lack of low-flow monitoring can result in losses to the suppliers of such flow. For example, water companies are compensated for water usage as measured by their flow monitors (water meters). If their flow monitors do not measure trickle or drip flow, they are not reimbursed for such usage. The loss of revenue can be considerable. Additionally, the location of the loss is not detected  
25 thereby allowing a large amount of water to be wasted. This is particularly an issue in the many countries with limited water supplies. Furthermore the knowledge of

- 2 -

this monitoring limitation can be used to steal water, for example by slowly dripping water into a holding tank, at a rate not measurable by the associated flow meter, and consuming the water directly from the tank.

Turbine flow meters, which are the conventional magnetic flow meters in general use today have long been used to measure fluid flow by means of a turbine immersed in the fluid. A magnet connected to the turbine turns a second magnet, which is placed in a dry area. The second magnet drives a cog system that turns a mechanical counter. These flow meters are unable to detect low flows e.g. below about 10 l/h when considering a typical water meter of the type installed by water supply companies and municipalities world wide. Positive displacement metering devices are also commonly used to measure flow rate and they have deficiencies in particular where water is of poor quality i.e. has a high calcium content or contains dirt such as sand.

Other types of flow meters are also known, some of which are devices for measuring low volumetric fluid flow. However such meters are typically costly, require servicing and are difficult to retrofit, thus are usually not used for domestic water metering.

Droplet counter devices are also known, wherein a sensor is provided for droplet count. However, such devices usually serve for laboratories and are not cost-effective in massive installation, e.g. for use by a water supply company, certainly not for urban use. Even more so, such systems are not easily retrofitted and they require some considerable space.

For example, disclosed in U.S. Patent No. 5,218,346 to Meixler is a low volume flow meter for determining if a fluid flow meets a minimum threshold level of flow. The monitor includes an externally located electrical portion, which operates with a minimum of intrusion to the flow and allows for repairs. The electronics provide for the adjustment of the threshold level and can be modified to provide for a parallel electronic circuit for a bracketing of the desired flow rate. However, the system is not simple or inexpensive.

- 3 -

Another type of flow rate device that has the capacity to measure or monitor a low flow rate is a compound meter. In this case, the device comprises a high flow metering device together with a secondary flow meter that is typically located in a by-pass conduit. There is typically some means for diverting flow (e.g. by using a  
5 "*change-over*" valve set to activate at a pre-determined pressure) based on a pre-determined flow rate or pressure in order to direct the flow to the appropriate meter. These meters typically suffer from at least some of the above-mentioned drawbacks and in particular are expensive.

A problem which may occur with flow metering devices is so-called  
10 '*over-efficiency*', where the flow meter may read excessive amounts of fluid, which in fact have not flown through the system. This may result for example, owing to inertial revolutions of the measuring impeller of the metering device.

## SUMMARY OF THE INVENTION

According to the invention there is provided a fluid supply system  
15 comprising a supply line and flow metering device and a flow responsive valve; said pressure metering device admitting flow through the system for only measurable fluid flow.

The arrangement is such that when flow rate exceeds a minimal measurable flow rate threshold the valve is open owing to a pressure differential over its inlet  
20 port and outlet port; and when the flow rate drops below said minimal measurable flow rate threshold, the valve enters a pulsating position having a closed state thereby substantially restricting flow through the system, and an open state allowing fluid flow into the system; said open state having a flow rate exceeding the minimal measurable flow rate threshold; where portions of the supply line  
25 downstream of the flow meter and devices fitted thereon function as a fluid accumulator.

According to the invention, an average fluid flow through the system remains constant over time, whereby a consumer downstream of said metering

- 4 -

device does not acknowledge flow rate fluctuations imparted by the system according to the present invention.

According to the invention, there is a fluid metering system comprising a fluid supply line and a meter for measuring fluid flow therethrough, said meter  
5 having a minimum measuring flow threshold; the system further comprising a flow responsive valve imparting the system with a flow pattern having a pulsating character so as to substantially prohibit flow at a flow rate below the minimum measuring threshold, and resume flow of only measurable quantities of fluid. The flow responsive valve is in fact responsive to flow rate and to pressure differential  
10 extending between an inlet and an outlet of the valve.

According to another aspect the present invention is concerned with a method for metering fluid flow through a fluid supply line comprising a flow meter having a minimum measurable threshold and a flow responsive valve imparting a flow pattern therethrough with a pulsating character so as to substantially restrict  
15 flow at a flow rate below the minimum measuring threshold, and resume flow of only measurable quantities of fluid. The arrangement is such that the fluid supply line and any devices fitted thereon function as an accumulator, whereby at an open state of the flow responsive valve, during its open phase, fluid accumulates in the system.

20 The present invention is also directed to a valve comprising an inlet port connectable to an upstream side of a fluid supply line, and an outlet port connectable to a downstream side of the fluid supply line; a control chamber extending between the inlet port and the outlet port and a sealing member disposed within said control chamber; said sealing member having an inlet sealing surface  
25 having a sealing surface area and a control portion having a control surface area; and a bleed aperture determining a minimal flow threshold through the control chamber; wherein the sealing member displaces between an open position and a closed position depending on a pressure differential over the sealing member.

- 5 -

A fluid supply system according to the concerned invention is suitable for use with gases or liquids and has a significant advantage of being inexpensive, reliable and suitable for easy retrofit installation on existing flow metering systems.

A further advantage of the device in accordance with the present invention is that it serves also as a one way valve preventing flow from a downstream direction to an upstream direction, i.e. from the consumer towards the supplier, in the case of a liquid supply system.

According to another embodiment of the present invention there is provided a flow responsive valve according to the invention, further fitted for controlled restriction of fluid flow at the open state of the pulsating position of the device. Accordingly, an impeller of a flow meter fitted in conjunction with a valve according to this embodiment will not reach significant revolutionary speed and inertial force is reduced, thereby governing the overriding excessive metering. However, the valve according to this embodiment substantially does not effect fluid flow and metering at a consuming state thereof, i.e. when flow rate exceeds a minimal measurable flow rate threshold.

## BRIEF DESCRIPTION OF THE DRAWINGS

In order to understand the invention and to see how it may be carried out in practice, some embodiments will now be described, by way of non-limiting examples only, with reference to the accompanying drawings, in which:

**Fig. 1** is a schematic representation of a municipal water supply network fitted with a flow metering system according to the present invention;

**Fig. 2** is a superimposed graph schematically illustrating the pressure and flow rate over time, in a water supply network fitted with a system according to the present invention;

**Figs. 3A** and **3B** are longitudinal sections through a flow responsive valve according to an embodiment of the present invention, wherein:

**Fig. 3A** illustrates the valve in its open position; and

**Fig. 3B** illustrates the valve in its closed position;

- 6 -

**Figs. 4A and 4B** are longitudinal sections through a flow responsive valve according to another embodiment of the present invention, wherein:

**Fig. 4A** illustrates the valve in its open position; and

**Fig. 4B** illustrates the valve in its closed position;

5 **Fig. 5** is a longitudinal section through a flow responsive valve according to still an embodiment of the present invention, wherein:

**Fig. 5A** illustrates the valve in its open position; and

**Fig. 5B** illustrates the valve in its closed position;

**Fig. 6** is a schematic graph representing actual flow Vs. measured flow, at  
10 several conditions;

**Fig. 7** is a longitudinal section through a flow responsive valve according to an embodiment of the present invention, fitted for controlled fluid flow restriction; and

**Figs. 8A to 8F** are longitudinal sections through the valve of Fig. 7, at  
15 consecutive operative positions.

## **DETAILED DESCRIPTION OF THE INVENTION**

The present invention is suitable for implementation in a variety of fluid supply systems, however, for the sake of convenience and for exemplifying only, reference hereinafter is made to a water supply system, e.g. an urban/municipal  
20 water supply network.

Attention is first directed to Fig. 1 of the drawings schematically illustrating an end portion of an urban/municipal water supply system wherein an end user is for example a house, an office, a plant, etc. The house, in the present example, is connected to a main water supply line designated **10** via a flow meter **12** with a  
25 suitable network of pipes **18** branching for example to end devices such as a solar water heating system **20**, wash basins **22**, toilets **26** and garden faucets **28**.

Each of the above end items, including the piping **18** is vulnerable to leaks owing to faulty sealing means (washers, gaskets, etc.), leaks in the piping, poor connections, etc.



- 7 -

In a water supply system not fitted with a device in accordance with the present invention, any such leaks which are below the minimal measurable flow threshold (a common such minimal threshold is about 10 liter/hour) would not be detected and would not be measurable, i.e. causing the water supplier considerable loss, not to mention the waste of fresh water which in some regions in the world is an acute problem.

In order to render a standard flow meter **12** capable of measuring also small amounts of water, there is installed a flow responsive valve generally designated **36**. The valve **36** is sensitive to flow rate and pressure differential over its inlet and outlet ports, as will be explained hereinafter in more detail

The valve **36** is a normally closed valve which opens whenever an end device is opened for consumption of water, e.g. upon flushing the toilet **26** or the like, when the consumed rate exceeds the minimal measurable flow threshold. However, when there is no consumption of water by either of the end devices, the valve **36** spontaneously returns to its closed position. If a leak occurs at one or more locations along the piping **18** or at one or more of the end devices **20**, **22**, **26** and **28**, the flow responsive valve **36** remains closed whereby a pressure differential  $\Delta P$  is being built between an inlet **40** connected upstream and an outlet **42** connected downstream. Such a pressure differential is built owing to the essentially constant pressure at the inlet **40** and the dropping pressure at outlet **42**. When the pressure differential  $\Delta P$  reaches a predetermined threshold, the flow responsive valve **36** opens for a while, to allow water flow to the piping **18** until the valve reaches a pressure differential lower than a predetermined pressure threshold.

Fig. 2 is a superimposed graph schematically illustrating the pressure and flow rate over time, measured downstream of the flow responsive valve **36**. The upper horizontal line represents the minimal measurable flow threshold of the metering device **12** whilst the lower horizontal line represents the flow consumption during a low flow consumption, e.g. owing to several leaks at the piping **18** and/or end devices **20**, **24**, **26**, and **28** which are below the minimum measurable flow threshold of the metering device **12**. The graph represented by the

- 8 -

letter **Q** represents the pulsating flow character through the flow meter where it is noticeable that flow is always above the minimum measurable flow threshold of the metering device **12** and operates in an on/off mode, i.e. all flow through the meter **12** is measurable. The line represented by the letter **P** illustrates the  
5 corresponding pressure in the system which also has a pulsating character.

Further attention will now be directed to several embodiments of a pressure sensitive valve in accordance with embodiments of the present invention by way of examples only. It is appreciated that many other embodiments are possible as well.

Turning now to Figs. 3A and 3B, reference is made to a valve generally  
10 designated **50** which in Fig. 3A is illustrated in its open position and in Fig. 3B is illustrated in its normally closed position. The valve **50** comprises a housing **52**, an inlet port **54** and an outlet port **56** both fitted for screw coupling to a pipe section (not shown) by suitable threadings **58** and **60**, respectively.

The valve **50** is fitted with an inlet nozzle **62** having a diameter  $D_i$ . A sealing  
15 member **64** is axially displaceable within the housing **52** and is normally biased by means of coiled spring **66** into a normally sealed position, so as to seal the inlet nozzle **62** (Fig. 3B).

Sealing member **64** is fitted at an inlet end thereof with a resilient sealing  
portion **68** for improved sealing of the inlet nozzle **62**. Furthermore, and as noted in  
20 the figures, the housing **52** has a central bore **70** slidably supporting the sealing member **64**, said bore **70** having a diameter  $D_b$ . Sealing member **64** has at an outlet end thereof adjacent a shoulder portion **74** having a predetermined tolerance with the bore **70**, said tolerance determining a leak rate corresponding with the pulsating sequence imparted to the sequence, as discussed above.

25 Further noticeable, bore **70** is formed at an outlet side thereof with an expanded portion **80** of diameter  $D_o$ .

The arrangement is such that when the valve **50** is in its open position, the shoulder portion **74** of the sealing member **64** reaches the expanded portion **80** to allow essentially free flow through the valve **50**.

- 9 -

The arrangement is such that the biasing force  $F_s$  of the spring **66** is predetermined whereby the valve **50** remains in its closed position as long as the pressure differential  $\Delta P$  does not exceed a predetermined pressure determined by the relationship between  $D_i$ ,  $F_s$  and the pressure at the inlet port **54** and outlet port **56**. Thus, the force required to open the valve **50** is determined by  $F_s < \Delta P * A(D_i)$ , where  $A(D_i)$  is the surface area at the inlet nozzle **62**. Similarly, the valve **50** will close when  $\Delta P < F_s / A(D_o)$ , where  $A(D_o)$  is the surface area at the expanded portion **80**. It is also apparent that the pressure differential required for closing the valve **50** is lower than that required for generating a pulse in the system, this being since  $D_i < D_o$ .

The arrangement is such that when the pressure differential over the inlet port **54** and outlet port **56** is smaller than a predetermined threshold, the valve **50** remains sealed since the only force acting is the biasing force  $F_s$  of spring **66**. However, when pressure at the outlet port **56** drops (e.g. upon a leak at the piping of the system or at one of the end devices, as discussed hereinabove) and there the inlet pressure at inlet port **54** remains essentially constant, the pressure differential over the valve **50** increases and the sealing member **64** will displace into its open position as in Fig. 3A.

Furthermore, it is appreciated that the shoulders **74** of the sealing member **64** take the role in retaining the sealing member in the open position under a pressure differential. It is further appreciated that the tolerance between the diameter of the shoulder **74** and the bore **70** in fact determines the pulsating timing, as it determines a so-called leak rate of the system.

Further attention is now directed to Figs. 4A and 4B in which a valve **80** is principally similar to the valve discussed hereinabove in connection with Figs. 3A and 3B and accordingly, reference is made only to the differing element which is the shape of the shoulder **84** of the sealing member **86** and the corresponding change in shape of the expanded portion **88** of the cylindrical bore **90** of the housing. The purpose of this particular design is to give rise to a narrow flow path **91** when the valve is in its open position as in Fig. 4, to thereby give rise to an increased flow

– 10 –

velocity and at the bore **90**, generating a force acting in the direction of arrow **92** (Fig. 4A) namely in the direction to assist in displacing the sealing member **86** into an open position, contrary to the force imparted by coiled spring **94**. This is obtained by local increase of flow velocity causing low static pressure down  
5 stream, thus decreasing the head loss.

The design of Figs. 4A and 4B renders the valve **80** open/closed position more significant and avoids undefined positions and scattering of the valve at near to equilibrium position.

Figs. 5A and 5B illustrate still another embodiment of a pressure sensitive  
10 valve in accordance with the present invention generally designated **100** wherein the sealing force is imparted by magnetic means, rather than by a coiled spring as in the previous embodiment.

As can be seen in Figs. 5A and 5B, the housing comprises an inlet segment **104** formed with an inlet port **106**, and an outlet segment **108** fitted with an  
15 outlet port **110**, both said inlet and said outlet being fitted with a suitable threading for coupling to a pipe segment (not shown).

Outlet segment **108** is formed adjacent the inlet segment **104** with a tapering portion **114** and with a stopper member **116**. A sealing member **120** being a  
20 magnetic sphere **122** coated with a resilient layer **124**, has a diameter larger than the narrow most portion of the tapering wall **114** and similarly, the diameter of the sealing member **120** is larger than the gaps **130** of stopper member **116**. The arrangement is such that the sealing member **120** is displaceable within the housing between a closed position (Fig. 5A) wherein it sealingly engages the tapering wall portion **114**, and an open position (Fig. 5A) wherein it disengages from the tapering  
25 portion **114** to allow free flow through the valve **100**.

The biasing force is imparted on the sealing member **120** by means of the magnetic inlet member **104** acting on the magnetic sphere **122** of sealing member **120** into sealing engagement with the narrow most portion of the tapering wall portion **114**.

- 11 -

The valve in accordance with the embodiment of Figs. 5A and 5B operates in a similar manner as discussed in connection with the valves of Figs. 3 and 4 and the reader's attention is directed thereto.

A further advantage of the valve in accordance with the present invention, is that it serves also as a one way valve preventing flow from a downstream direction (i.e. from the consumer) to an upstream direction (i.e. towards the supplier). This feature is of particular importance e.g. in connection with a water supply system and serves to prevent flow of contaminated water towards the supplier in case of a flood or burst in supply pipes, where there is risk of mud and dirt entering the system and flowing upstream and possibly contaminating water reservoirs and harming equipment of the water supplier.

Turning now to Fig. 6, there is illustrated a schematic graph representing various situations of measured flow consumption MC versus actual flow consumption AC, in volumetric units, e.g. m<sup>3</sup>. The line marked I represents the ideal situation where actual water consumption is essentially identical to measured water consumption in a linear fashion. However, this situation will usually not occur owing to the design of common flow meters, e.g. domestic water meters etc., whereby an impeller is provided, the latter gaining inertial forces subject to velocity of water flowing therethrough. Accordingly, even after termination of liquid flow through the flow meter, the impeller will tend to continue revolving for a while, owing to said inertial forces. It is appreciated that this situation is not desired in particular where monitoring of liquid flow is of importance or where it is desired to correctly charge for actual water consumption.

The measured consumption MC for a typical flow meter not fitted with a device in accordance with the present invention is represented by line II and it is thus appreciated that there is a significant portion of unmeasured liquid which cannot be measured and respectively charged.

Upon installation of a valve in accordance with some embodiments, the flow meter will yield an 'over efficient' performance illustrated in Fig. 6 by the line marked III, i.e. measuring quantities of water which in fact were not consumed.

– 12 –

This phenomena takes place owing to many occurrences of closing and opening the valve, involving inertia forces.

Accordingly, it is desirable to introduce a device which will compensate for the ‘over efficiency’ and will reach a measured consumption near to actual  
5 consumption as illustrated for example by line marked IV.

It is appreciated that for good orders sake the performance of the valve in accordance with the line marked IV extends below the optimal line marked I, so as to ensure that the consumer remains under charged rather than over charged.

With further attention now directed to Fig. 7, there is illustrated a  
10 modification of the valve in accordance with the present invention, generally designated 150 comprising a housing 152, an inlet port 154 screw coupled to an upstream pipe section 155, and an outlet port 156 screw coupled to a downstream type section 157.

Fitted at the inlet and of the housing there is provided a diaphragm seal 160  
15 retained between an annular shoulder portion 162 of the housing and a diaphragm support disk 164 retained by a retention nut 166, whereby the diaphragm seal 160 is deformable only in a downstream direction, as will be apparent hereinafter, in connection with Fig 8C.

Diaphragm seal 160 tends to follow displacement of the plunger 170 owing  
20 to pressure differential about its faces. However, at a certain stage the diaphragm seal disengages from the plunger and will return to its normal position at rest.

A pressure responsive sealing assembly is received within the housing 152, comprising an axially displaceable plunger 170 and a stationary cup member 172.

Formed between the plunger 170 and the cup member 172 there is a  
25 dampening assembly received within a confined space 174, which in the present example holds a coiled spring 176 received within the cylindrical sleeve 178 of the cup member 172, said spring biasing at one end against the cup member 172 and at an opposed end thereof against the plunger 170. A sealing sleeve 180, made of a resilient material, is applied over the cylindrical extension 184 of the plunger 170

– 13 –

and 178 of the cup member 172, to thereby restrict liquid flow into the confined space 174.

The circumferential peripheral edge 190 of the plunger 170 is sharp-edged serving as a scraper bearing against the cylindrical surface 194 of the housing, continuously cleaning it from scale, algae and other dirt particles, as the plunger 170 axially displaces within the housing.

According to a particular embodiment, as illustrated in Fig. 7, the plunger 170 and the cup member 172 have complementary shapes offering an advantage in particular in the completely open position of Fig. 8F, upon water consumption downstream. Furthermore, it is noted that the circumferential peripheral edge 198 of the cup member 172 is chamfered so as to easily engage with the corresponding scraper edge 190 of the plunger 170.

Further attention is now directed to Figs. 8A to 8F, illustrating how the valve in accordance with the embodiment of Fig. 7 actually operates. In Fig. 8A, plunger 170 is in its retracted position, remote from the cup member 172 and sealingly bearing against the diaphragm seal 160. This position is the so-called closed position wherein there is no water consumption and no water leak. In this situation, water pressure at the inlet port 154 is substantially equal to the pressure at the outlet port 156, i.e., the pressure differential  $\Delta P$  equals 0 namely, the inlet pressure equals the outlet pressure ( $P_i = P_o$ ).

However, at the position illustrated in Fig. 8B, the valve 150 is still at the so-called closed position with no significant water consumption downstream of the valve, however, with some water leak occurring, at a flow rate which is below the measurable threshold of the water metering device (not shown). This results in pressure decrease at the outlet side of the valve 150, building up a pressure differential  $\Delta P \geq 0$  over the valve, where  $P_i$  is greater than  $P_o$ . However, the pressure differential is still not significant and will not displace the valve into the open position. For the sake of clarity, high pressure zone is indicated in Figs. 8A-8F by dense dotting whereas low pressure zone at the valve is indicated by non-dense dotting. It is apparent that in the situation of Fig. 8B the valve remains in the closed

– 14 –

and sealed position wherein the diaphragm seal 170 sealingly bears against the diaphragm seal 160.

Resulting in further leakage, downstream of the valve 150 (however with no significant consumption) the pressure differential over the device 150 increases, causing the plunger 170 to slightly extract in a downstream direction, however followed by deformation of the diaphragm seal 160 which follows the plunger 170 and ensures that the valve is closed. It is apparent that as long as no water flow occurs between the inlet port towards the outlet port, the water metering device (not shown) does not sense any flow and will not indicate flow as the measuring element (e.g. an impeller) remains still.

As the pressure continues to drop at the outlet port 156, water leaks through an interstice between the plunger 170 and the surface 194 of the housing 152, resulting in slight pressure increase at the outlet port 156, and further resulting in displacement of the diaphragm seal 160 to its normal position as in Fig. 8D.

In order to facilitate leakage between the scraper edge 190 of the plunger 170 and the surface 194, one or more narrow grooves 198 are formed at contact zone of the scraper edge 190 with the surface 194, as illustrated in the enlarged portion of Fig. 8D.

Disengagement of the diaphragm seal 160 from the plunger 170 (Fig. 8D) results in further displacement of the plunger 170 towards the cup member 172, whereby water flow is increased, further resulting in pressure equilibrium about the sealing assembly 168. Such an increase in water flow is above the minimal readable threshold of the metering device (not shown) and thus the water now flowing through the device at such a pulsating opening of the valve, is measurable by the flow meter.

The restricted flow at the position of Fig. 8D ensures that the impeller of the flow metering device does not spin at high speed and thus does not gain high inertial forces and accordingly, when a flow pulse through the valve device 150 ceases, the impeller of the flow meter will immediately halt thus not incurring excessive metering.



- 15 -

In this position, the sealing sleeve 180 facilitates slow filling of water into the confined space 174, thus dampening/slowing the closing stage of the valve, thereby improving the ratio between the measured consumption MC and the actual consumption AC.

5 It is however appreciated that the position of Fig. 8E is not a water consuming position but rather a position in which the piping downstream is refilled at a measurable pulse of water flow, to compensate for the water which has dripped from the piping and from the different supply devices.

With further reference to Fig. 8F, the valve 150 is illustrated in a completely  
10 opened position wherein water is consumed by a consumer downstream (not shown) resulting in complete displacement of the plunger 170 into engagement of the edges 170 with the corresponding edge 198 of the cup member 172, to give rise to an egg-like aerodynamic shape, facilitating water flow in a downstream direction at high flow rate, as per demand.

15 The addition of a dampening assembly, i.e. the sealing sleeve 180 or any other damping means, e.g. a viscous fluid, friction arrangements, water orifice, etc. will result in measured consumption MC near to line IV in Fig. 6 whilst in the absence of such a damping assembly, the measured consumption is near to line III in Fig 6.

20 At the absence of sealing sleeve 180, one would possibly sense a short delay in water supply upon consumption downstream, e.g. upon opening a tap, etc., owing to water first entering the confined space 174 and only then flowing through the outlet 156 downstream. However, applying the elastic sealing sleeve 180 ensures that upon rapid build up of differential pressure over the device (as a result  
25 of water consumption downstream), above a predetermined threshold, the sealing sleeve 180 will deform to disengage from the cylindrical portion 178 of the cup member 172, thus facilitating rapid draining of the confined space 174, whereby a consumer downstream does not feel a pressure drop.

It is appreciated that the above embodiments are merely example of valves  
30 suitable for use with a metering system and method as disclosed above and many

– 16 –

other such valves may be designed, all of which fall within the scope of the invention.

**CLAIMS:**

1. A fluid metering system comprising a fluid supply line and a fluid meter for measuring fluid flow therethrough, said meter having a minimum measuring flow threshold; the system further comprising a valve having an inlet port and an outlet port; said valve shiftable between an open position at flow rates above its minimum measurable flow threshold, and a pressure pulsating position depending on pressure differential over its ports, said pressure pulsating position altering between a closed position essentially prohibiting fluid flow therethrough at flow rates below the minimum measuring flow threshold, and an open position admitting fluid flow into the supply line at a measurable flow rate above the minimum measuring flow threshold.
2. The fluid metering system according to Claim 1, wherein the valve is a normally closed pressure controlled valve.
3. The fluid metering system according to Claim 1, wherein the valve is fitted adjacent before or after the fluid meter.
4. The fluid metering system according to Claim 1, wherein the valve is integrated with the fluid meter.
5. The fluid flow metering system according to Claim 1, wherein portions of the supply line and devices fitted thereon, downstream of said pressure controlled valve, act as a fluid accumulator.
6. The fluid metering system according to Claim 1, wherein the system is a liquid supply network.
7. The fluid metering system according to Claim 6, wherein the system is a municipal water supply network.
8. A fluid metering system comprising a meter for measuring fluid flow and having a minimum measuring flow threshold; the system further comprising a flow responsive valve having an open position admitting fluid flow only at a flow rate above the minimum measuring flow threshold, and a closed position substantially restricting fluid flow at flow rates below the measuring threshold.

- 18 -

9. A fluid metering system comprising a fluid supply line and a meter for measuring fluid flow therethrough, said meter having a minimum measuring flow threshold; the system further comprising a flow responsive valve imparting the system with a flow pattern having a pulsating character so as to substantially  
5 prohibit flow at a flow rate below the minimum measuring threshold, and resume flow of only measurable quantities of fluid.

10. The fluid metering system according to Claim 9, wherein the flow responsive valve is shiftable between an open position whenever pressure differential over an inlet port and an outlet port thereof exceeds a minimum  
10 pressure threshold, to thereby admit fluid flow at a flow rate above the minimum measuring flow threshold, and a closed position substantially prohibiting fluid flow therethrough.

11. The method according to claim 1, wherein the valve is a one way valve, preventing flow in an upstream direction.

15 12. A method for metering fluid flow through a fluid supply line comprising a flow meter having a minimum measurable threshold and a flow responsive valve imparting a flow pattern therethrough with a pulsating character so as to substantially restrict flow at a flow rate below the minimum measuring threshold, and resume flow of only measurable quantities of fluid.

20 13. The method for metering fluid flow according to Claim 12, wherein average fluid flow through the system remains constant over time, wherein the average fluid flow through the supply line remains constant over time flow rate fluctuations imparted by the system according to the present invention are not acknowledgeable.

25 14. The method for metering fluid flow according to Claim 12, wherein the flow responsive valve is fitted adjacent to or integrally with the flow meter.

15. The method for metering fluid flow according to Claim 12, wherein portions of the supply line and devices fitted thereon, downstream of said pressure controlled valve, act as a fluid accumulator.

– 19 –

16. A valve comprising an inlet port connectable to an upstream side of a fluid supply line, and an outlet port connectable to a downstream side of the fluid supply line; a control chamber extending between the inlet port and the outlet port and a sealing member disposed within said control chamber; said sealing member  
5 having an inlet sealing surface having a sealing surface area and a control portion having a control surface area; and a bleed aperture determining a minimal flow threshold through the control chamber; wherein the sealing member displaces between an open position and a closed position depending on a pressure differential over the sealing member.
- 10 17. The valve according to Claim 16, being a normally closed flow responsive valve and wherein the sealing member is biased into sealing engagement of the inlet port.
18. The valve according to Claim 17, wherein the sealing member is spring biased into sealing engagement of the inlet port.
- 15 19. The valve according to Claim 17, wherein the sealing member is magnetically biased into sealing engagement of the inlet port.
20. The valve according to Claim 19 wherein the sealing member comprises a ferromagnetic member and a housing of the device is fitted with a fixed magnetic biasing member, to thereby bias the sealing member into sealing engagement of the  
20 inlet port.
21. The valve according to Claim 20, wherein the sealing member is coated with a resilient material.
22. The valve according to Claim 16, for imparting a fluid supply line with a pulsating fluid flow pattern, extending between a sealed position and an open  
25 position, and wherein the average fluid flow through the supply line remains constant over time flow rate fluctuations imparted by the system according to the present invention are not acknowledgeable.
23. The valve according to Claim 16, wherein the sealing surface area is smaller than the control surface area.

– 20 –

24. The valve according to Claim 16, wherein the bleed aperture is an interstice between a housing of the device and the control portion.
25. The valve according to Claim 17, wherein a flow restriction is formed at the open position, so as to increase flow speed at a downstream side of the sealing member, to thereby give rise to a force in a direction opposed to a sealing force acting on the sealing member.
26. The valve according to claim 24, wherein the surface area is a cylindrical bore of the housing of the valve; the bore is formed with an expansion and the sealing member is formed with a tapering portion corresponding with the expansion, thereby giving rise to head loss when the sealing member displaces into an open position, so as to increase opening force of valve.
27. The valve according to claim 16 being a one way valve, preventing flow in an upstream direction.
28. A flow responsive valve for a flow metering system comprising a fluid meter having a minimum measuring flow threshold; said valve being shiftable between an open position at flow rates above the minimum measuring flow threshold, and a pressure pulsating position depending on pressure differential over its ports, said pressure pulsating position altering between a closed position essentially prohibiting fluid flow therethrough at flow rates below the minimum measuring flow threshold, and an open position admitting fluid flow into the supply line at a measurable flow rate above the minimum measuring flow threshold.
29. A flow responsive valve for a flow metering system comprising a fluid meter having a minimum measuring flow threshold; said valve being shiftable between an open position at flow rates above the minimum measuring flow threshold, and a pressure pulsating position depending on pressure differential over an inlet port and an outlet port of the valve; said pressure pulsating position altering between a closed position essentially prohibiting fluid flow therethrough at flow rates below the minimum measuring flow threshold, and an open position admitting fluid flow into the supply line at a measurable flow rate above the minimum

– 21 –

measuring flow threshold; said valve further comprising a suspension mechanism for delaying fluid flow through the valve at the open state of the pulsating position.

30. A valve according to claim 29, wherein the suspension mechanism comprises a pressure responsive sealing assembly comprising an axially  
5 displaceable plunger and a stationary cup member with a damping assembly received therebetween to dampen axial displacement of the plunger.

31. A valve according to claim 30, wherein the damping assembly is received within a confined space with a sealing sleeve applied for restricting liquid flow into the confined space.

10 32. A valve according to claim 30, wherein the pressure responsive sealing assembly further comprises a diaphragm seal retained within the housing and being deformable only in a downstream direction.

33. A valve according to claim 30, wherein a circumferential peripheral edge of the plunger is pointed and is adapted to displace against a cylindrical surface of  
15 the housing to thereby scrape it from dirt.

34. A valve according to claim 30, wherein facing edges of the plunger and the cup member have complimentary mating shapes.

35. A valve according to claim 31, wherein the damping assembly is a biasing spring bearing At one end against the cup member and at an opposed end against  
20 the plunger.

36. A valve according to claim 32, wherein at a closed position thereof the plunger is retracted from the cup member and sealingly bears against the diaphragm seal, where liquid does not flow through the valve, and where the inlet pressure  $P_i$  is equal to the outlet pressure  $P_o$ .

25 37. A valve according to claim 32, wherein upon pressure differential built-up over the valve, the plunger extracts downstream, followed by deformation of the diaphragm seal, to thereby close the valve.

38. A valve according to claim 32, wherein disengagement of the diaphragm seal from the plunger results in further displacement of the plunger towards the cup

- 22 -

member, to thereby increase liquid flow through the valve, at a pulsating regime and at a measurable flow rate.

**39.** A valve according to claim 32, wherein at an open position of the valve the plunger displaces into engagement with the cup member facilitating liquid flow at  
5 considerable flow rate.

**40.** A valve according to claim 40, wherein at the fully open position of the valve the plunger mates with the cup member to form an egg-like shape.

**41.** A fluid metering system comprising a fluid supply line and a meter for measuring fluid flow therethrough, said meter comprising a fluid flow responsive  
10 impeller and having a minimum measuring flow threshold; the system further comprising a flow responsive valve imparting the system with a flow pattern having a pulsating character so as to substantially prohibit flow at a flow rate below the minimum measuring threshold, and resume flow of only measurable quantities  
15 of fluid; said valve further comprising a suspension mechanism for delaying fluid flow through the valve at the open state of the pulsating position.



1/8

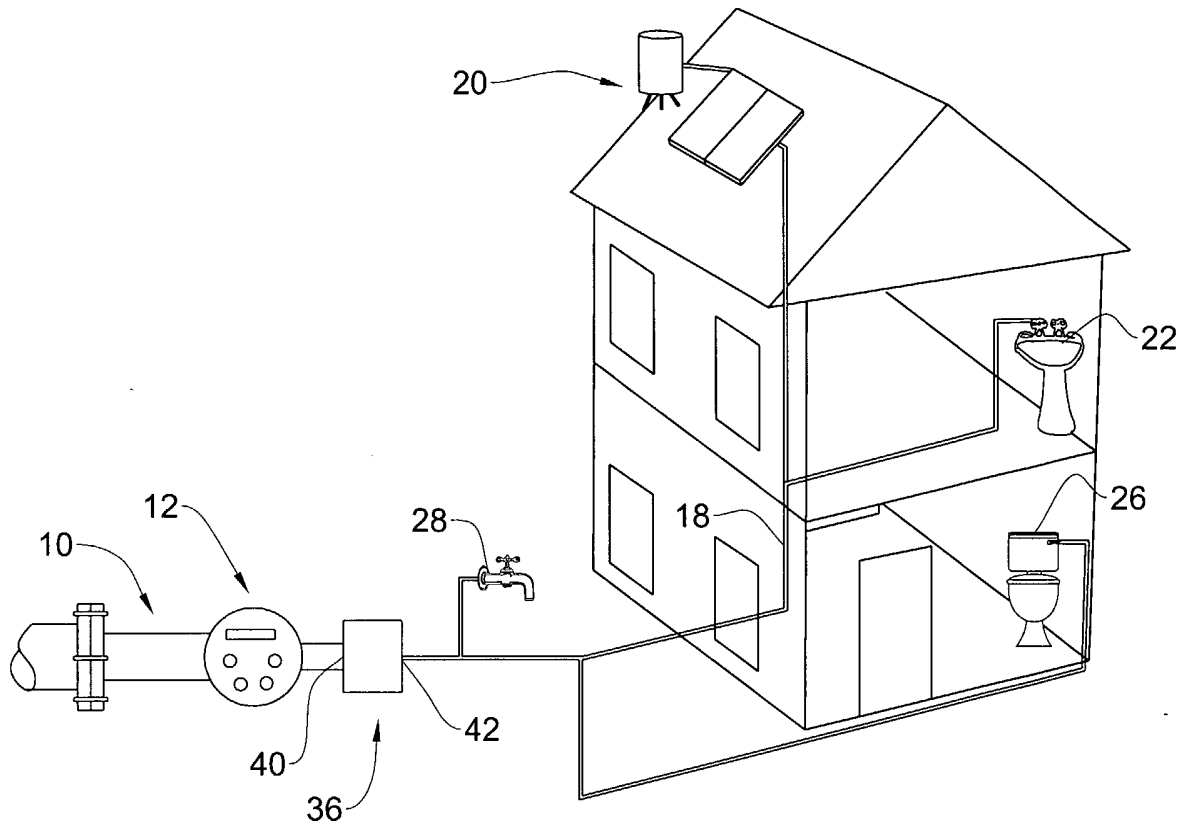


FIG. 1

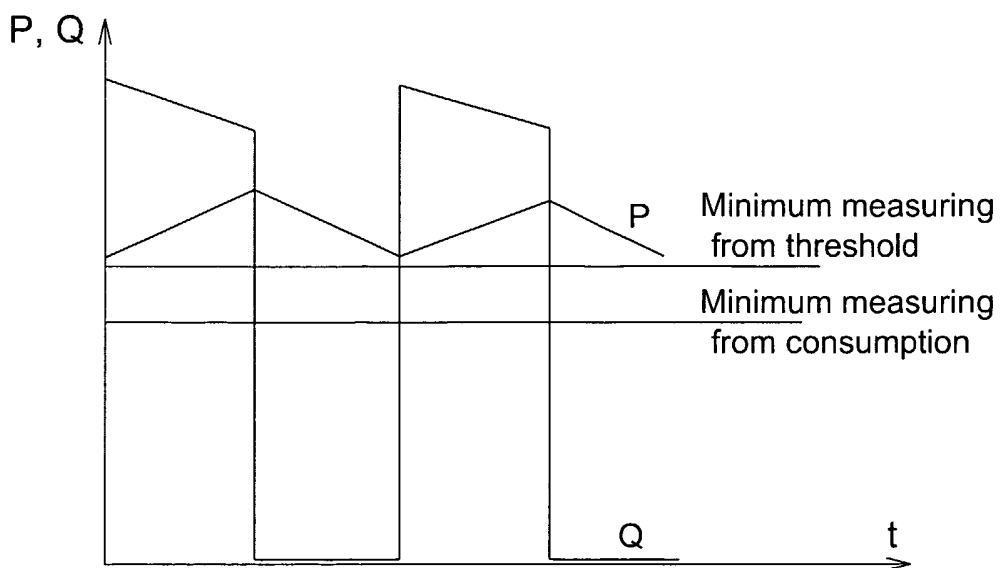


FIG. 2

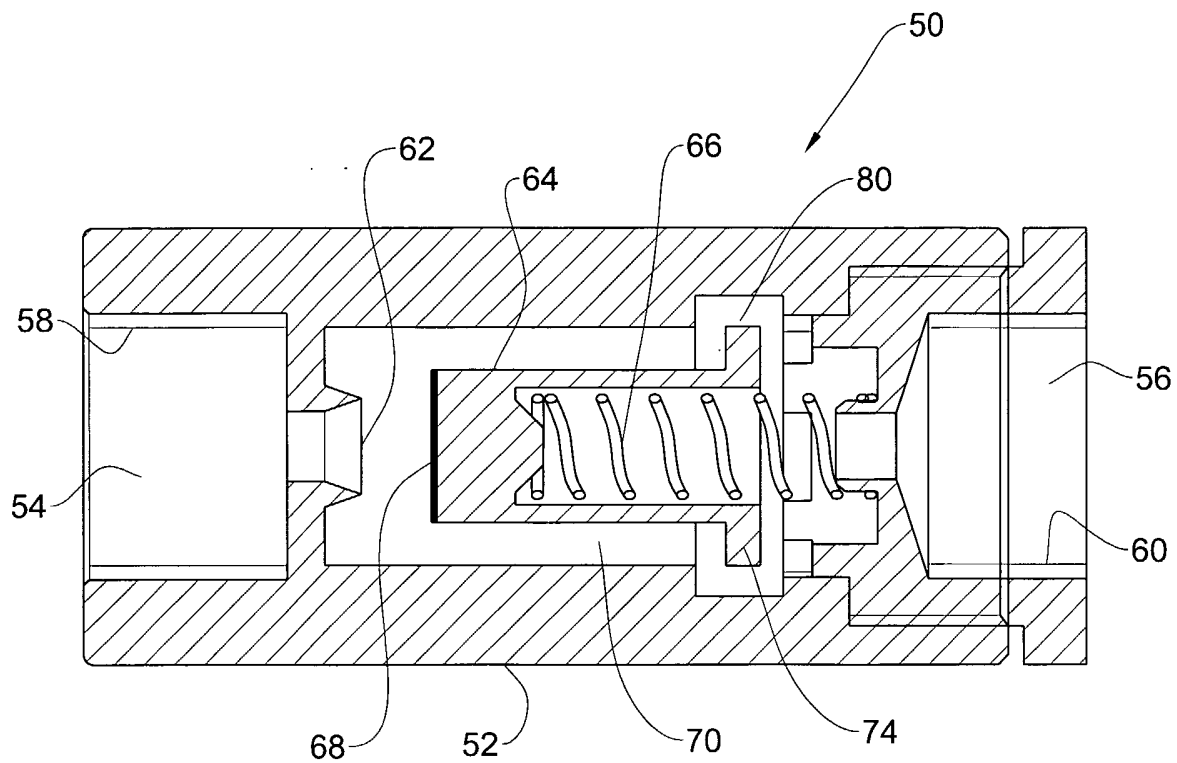


FIG. 3A

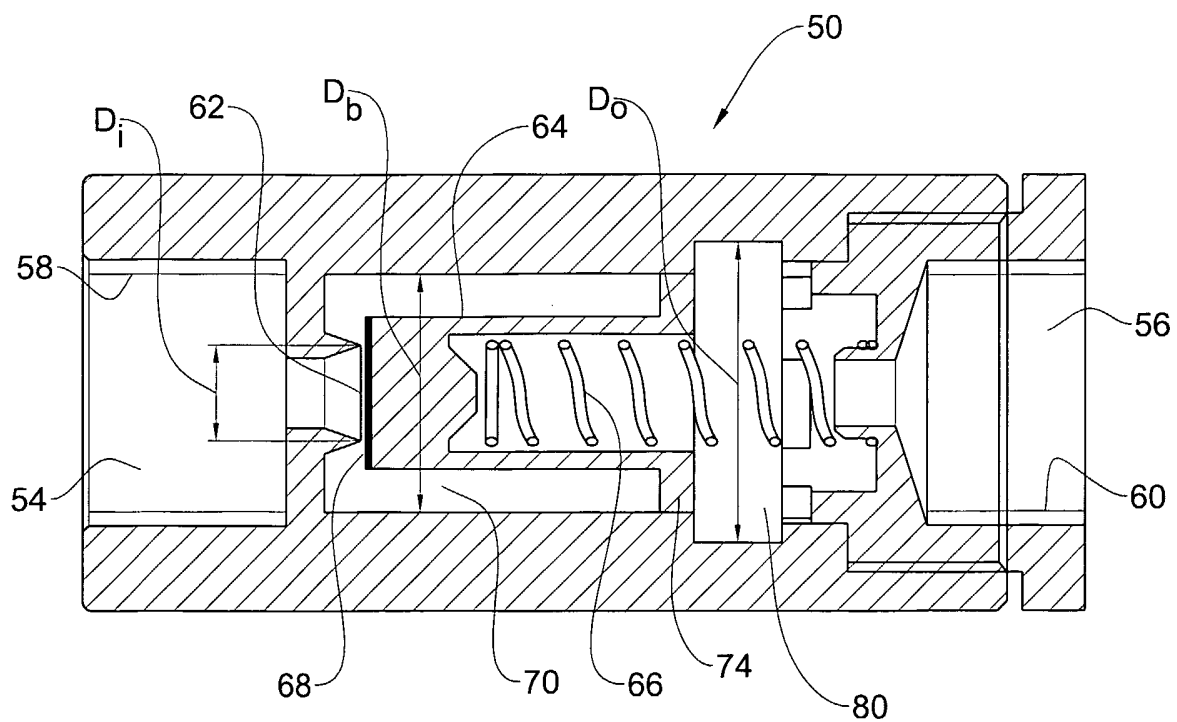


FIG. 3B ,

3/8

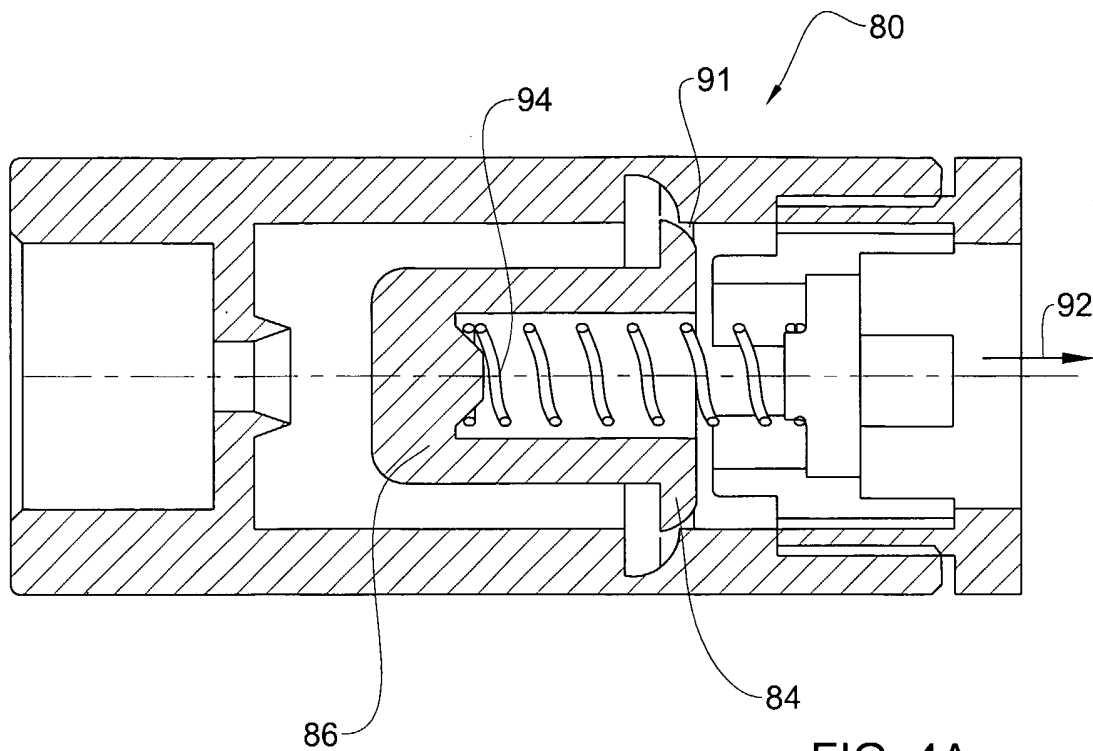


FIG. 4A

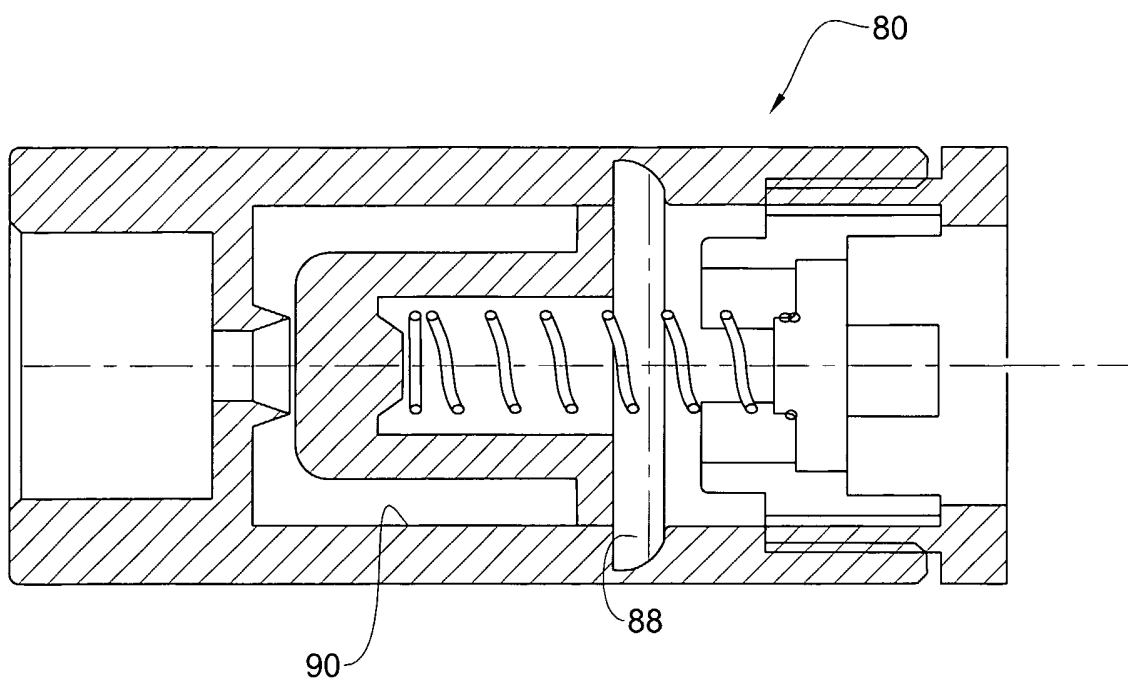


FIG. 4B

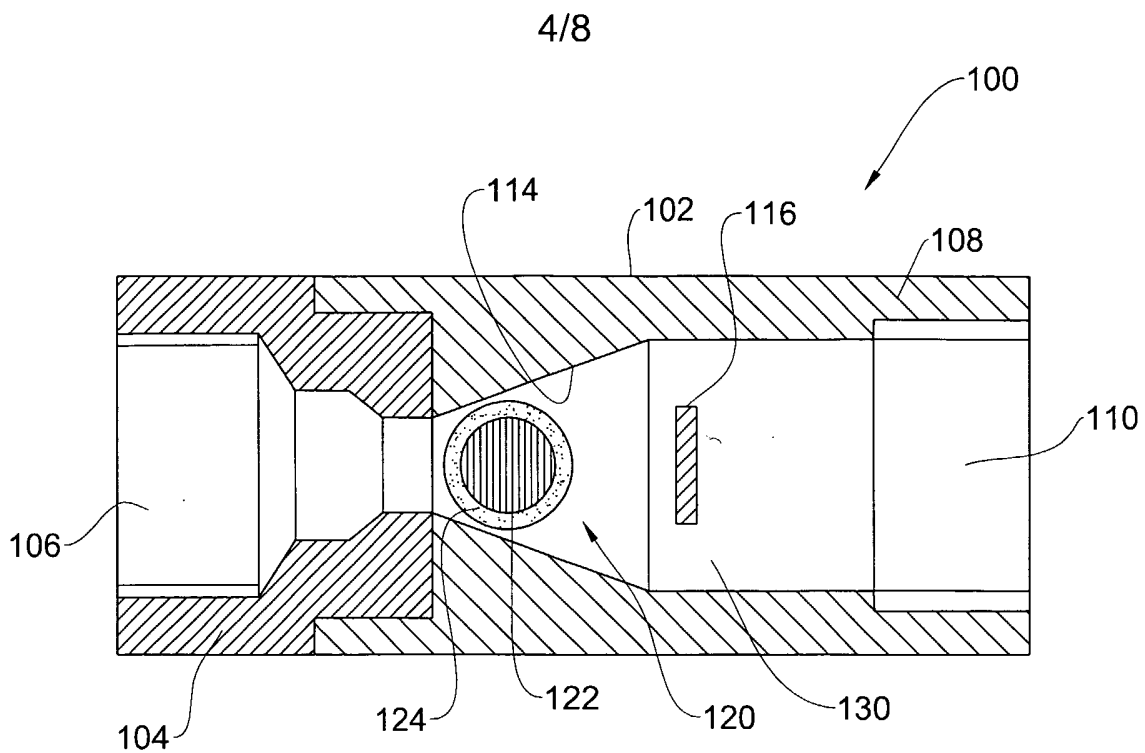


FIG. 5A

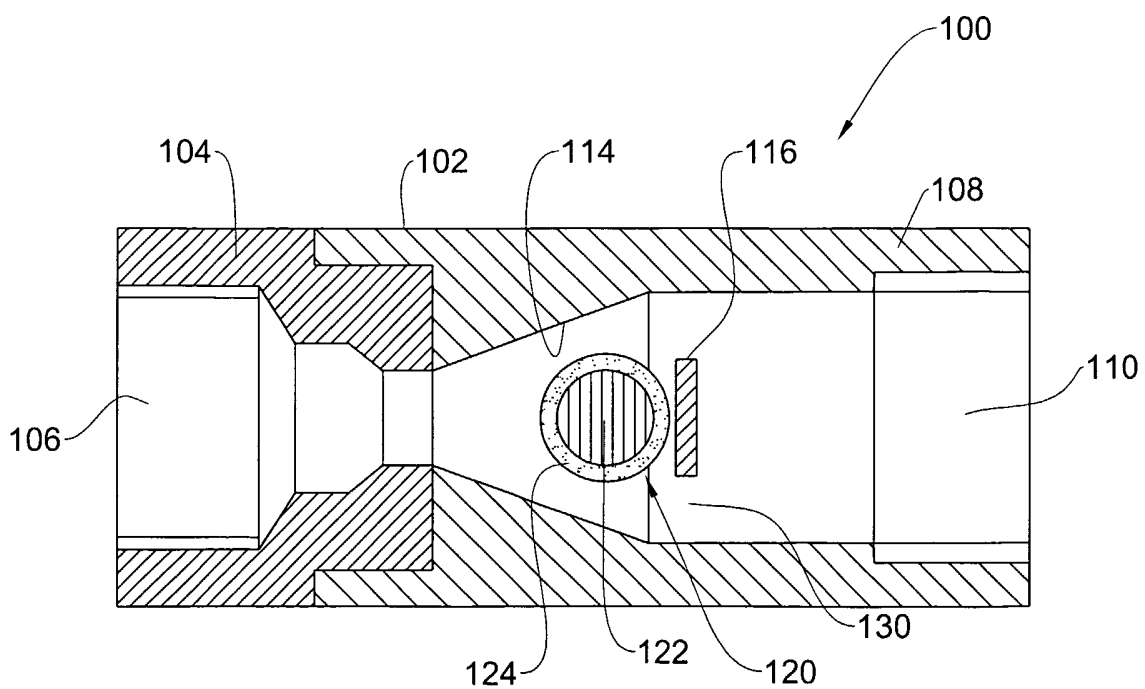
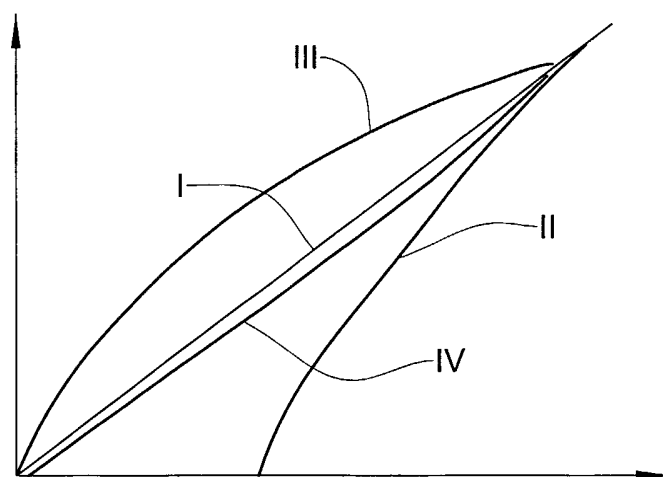


FIG. 5B

Measured Consumption (m<sup>3</sup>)



Actual Consumption (m<sup>3</sup>)

FIG. 6

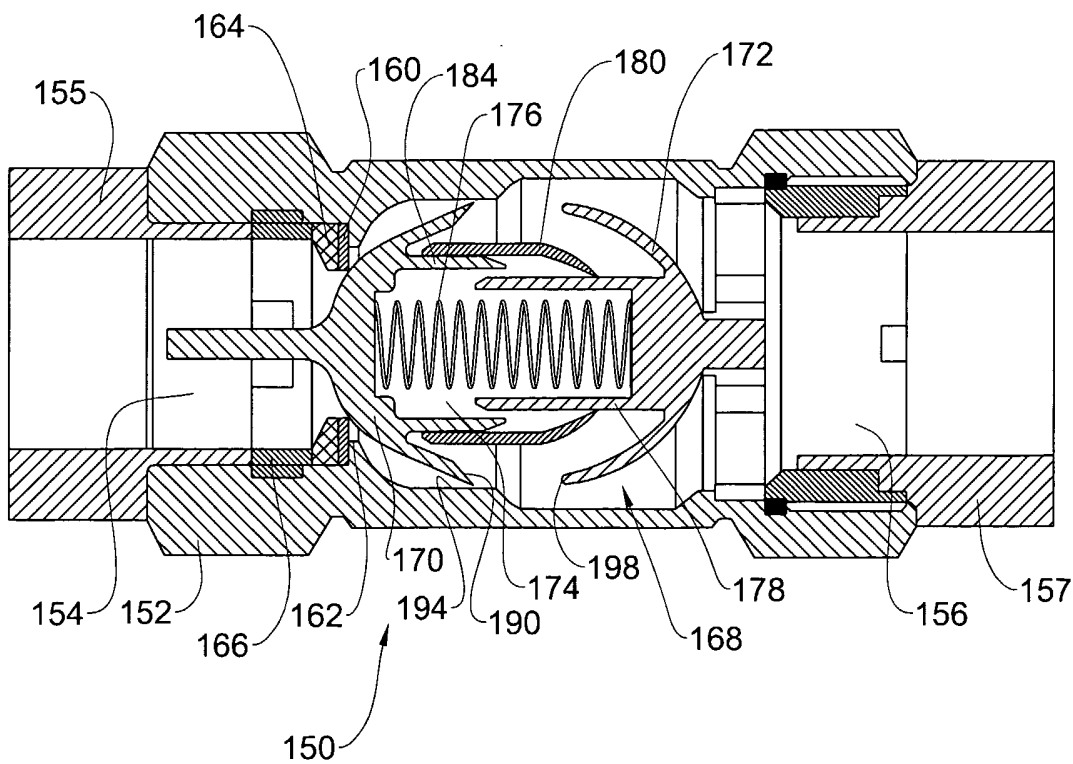


FIG. 7

6/8

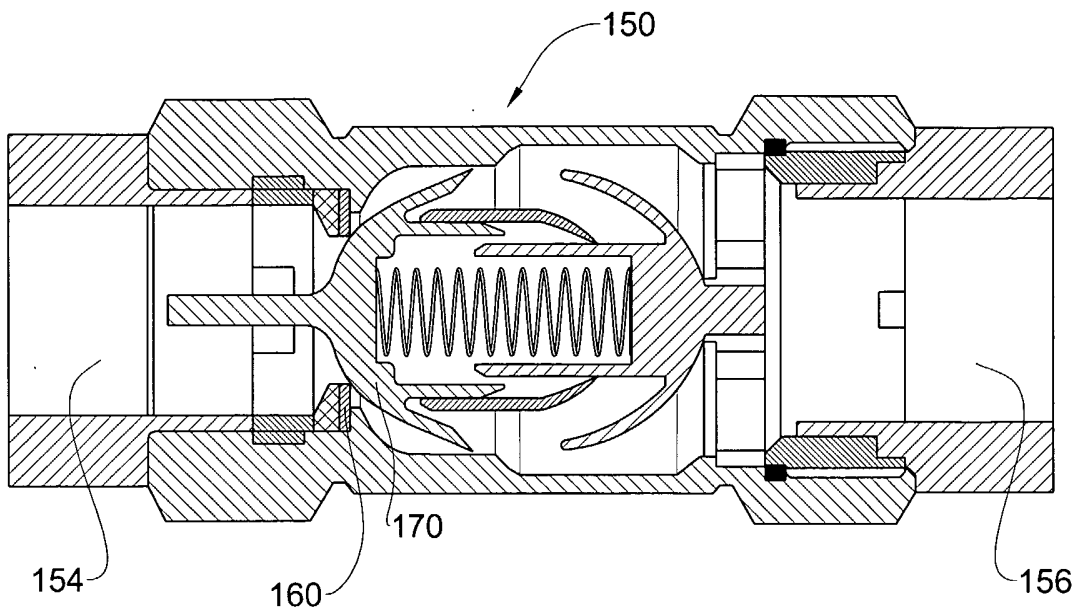


FIG. 8A

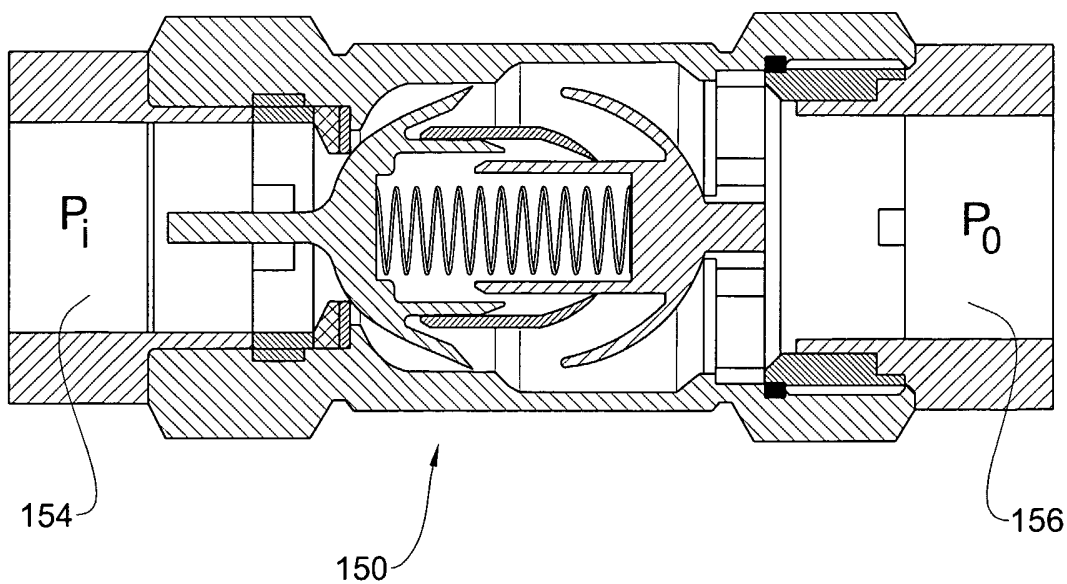
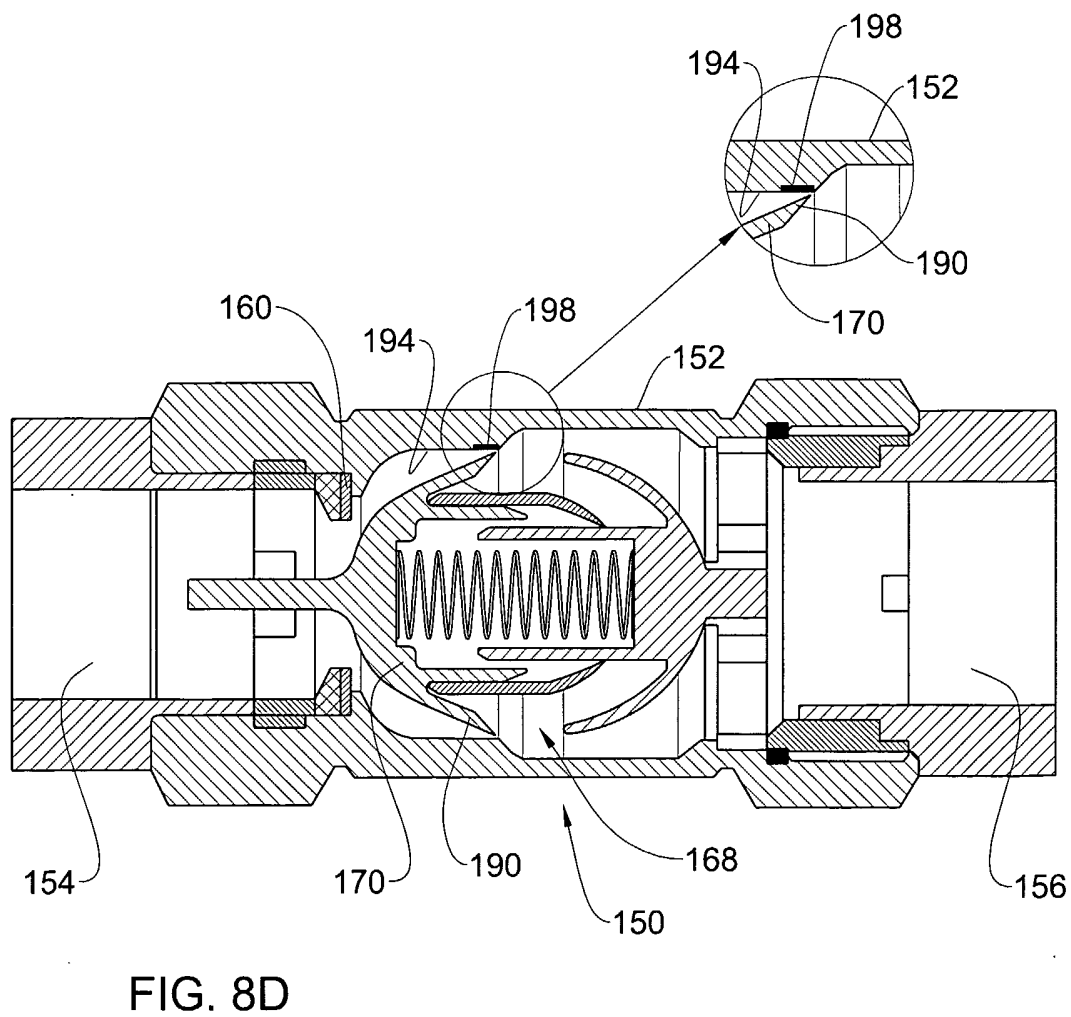
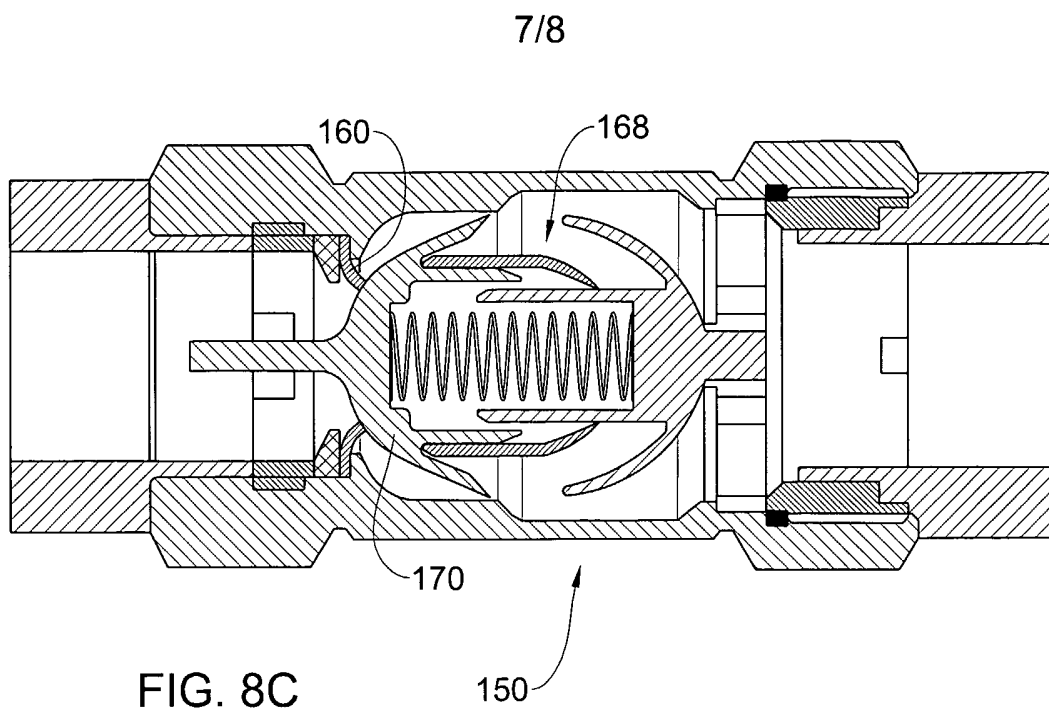


FIG. 8B



8/8

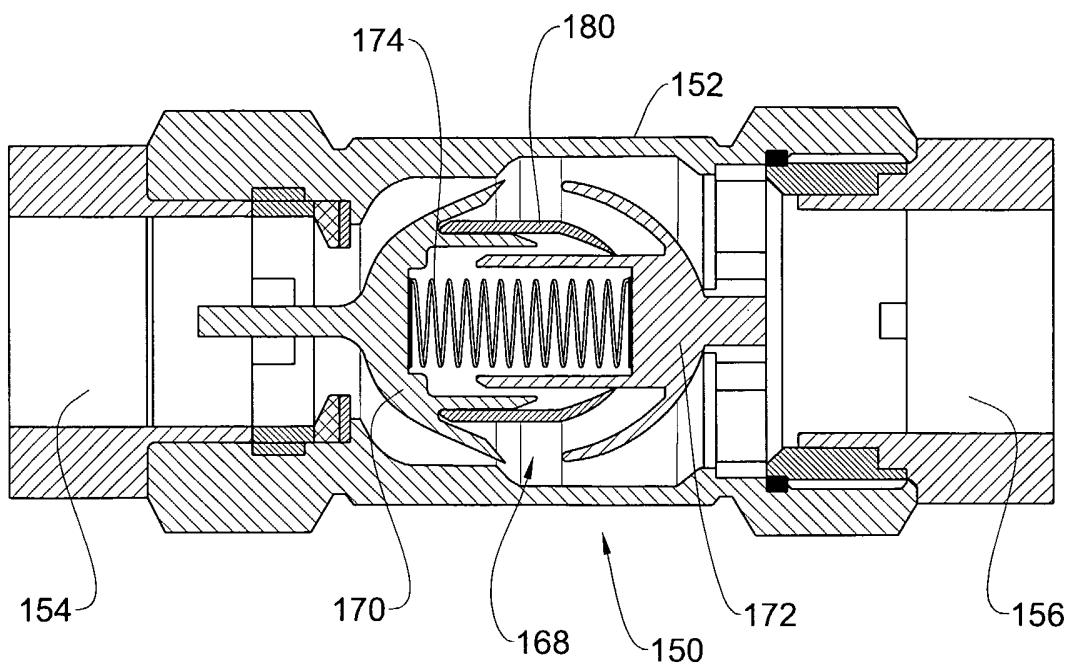


FIG. 8E

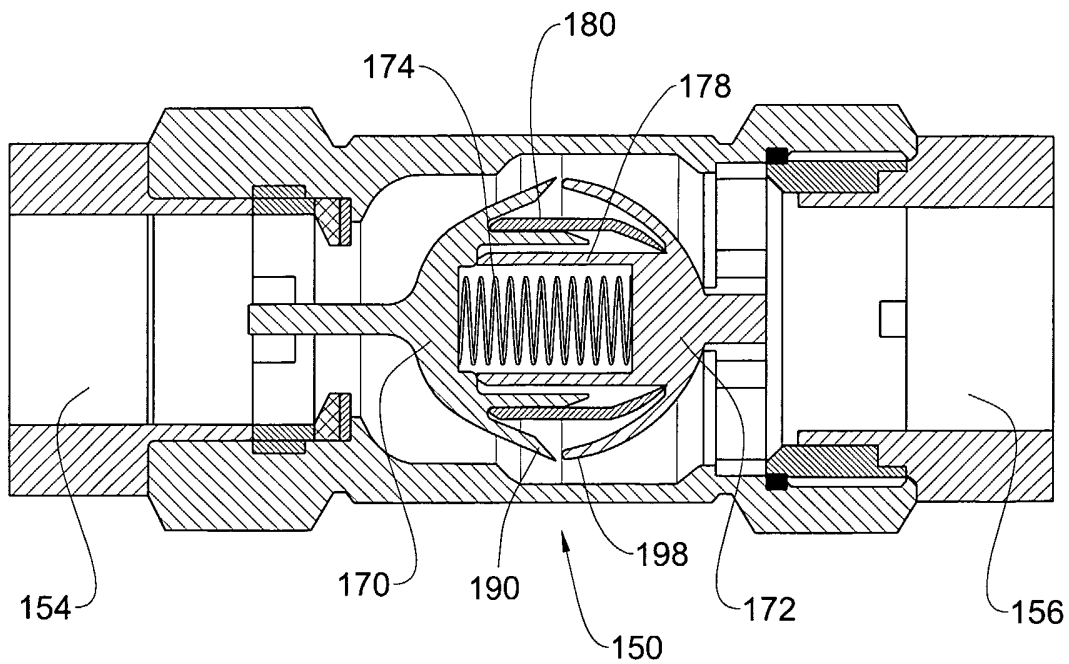


FIG. 8F



# INTERNATIONAL SEARCH REPORT

Int onal Application No  
PCT/IL 03/00727

**A. CLASSIFICATION OF SUBJECT MATTER**  
IPC 7 G01F15/00 G01F15/02

According to International Patent Classification (IPC) or to both national classification and IPC

**B. FIELDS SEARCHED**

Minimum documentation searched (classification system followed by classification symbols)  
IPC 7 G01F

Documentation searched other than minimum documentation to the extent that such documents are included in the fields searched

Electronic data base consulted during the international search (name of data base and, where practical, search terms used)

EPO-Internal

**C. DOCUMENTS CONSIDERED TO BE RELEVANT**

Category °	Citation of document, with indication, where appropriate, of the relevant passages	Relevant to claim No.
X	WO 99 28722 A (JAKOBSSON JAAKKO OSKARI) 10 June 1999 (1999-06-10) page 3, line 4 - page 5, line 7; figures 1-5	1-41
A	----- US 3 395 579 A (STOTEN TERENCE A) 6 August 1968 (1968-08-06) the whole document	1-41
A	----- US 1 808 209 A (GOODELL EARL GEORGE) 2 June 1931 (1931-06-02) the whole document	1-41
A	----- US 1 808 212 A (GEORGE GOODELL EARL) 2 June 1931 (1931-06-02) the whole document	1-41

Further documents are listed in the continuation of box C.

Patent family members are listed in annex.

° Special categories of cited documents :

- "A" document defining the general state of the art which is not considered to be of particular relevance
- "E" earlier document but published on or after the international filing date
- "L" document which may throw doubts on priority claim(s) or which is cited to establish the publication date of another citation or other special reason (as specified)
- "O" document referring to an oral disclosure, use, exhibition or other means
- "P" document published prior to the international filing date but later than the priority date claimed

- "T" later document published after the international filing date or priority date and not in conflict with the application but cited to understand the principle or theory underlying the invention
- "X" document of particular relevance; the claimed invention cannot be considered novel or cannot be considered to involve an inventive step when the document is taken alone
- "Y" document of particular relevance; the claimed invention cannot be considered to involve an inventive step when the document is combined with one or more other such documents, such combination being obvious to a person skilled in the art.
- "&" document member of the same patent family

Date of the actual completion of the international search

26 November 2003

Date of mailing of the international search report

04/12/2003

Name and mailing address of the ISA  
European Patent Office, P.B. 5818 Patentlaan 2  
NL - 2280 HV Rijswijk  
Tel. (+31-70) 340-2040, Tx. 31 651 epo nl,  
Fax: (+31-70) 340-3016

Authorized officer

Boerrigter, H

# INTERNATIONAL SEARCH REPORT

Information on patent family members

International Application No  
PCT/IL 03/00727

Patent document cited in search report	A	Publication date	Patent family member(s)	Publication date
WO 9928722	A	10-06-1999	FI 981504 A WO 9928722 A1	28-12-1998 10-06-1999
US 3395579	A	06-08-1968	GB 1064396 A BE 673467 A CH 433790 A DE 1498376 A1 NL 6515970 A SE 341711 B	05-04-1967 15-04-1967 12-06-1969 09-06-1966 10-01-1972
US 1808209	A	02-06-1931	NONE	
US 1808212	A	02-06-1931	NONE	