



US00D596271S

(12) **United States Design Patent**  
**Felix et al.**

(10) **Patent No.:** **US D596,271 S**

(45) **Date of Patent:** **\*\* Jul. 14, 2009**

(54) **FLOATING HOUSING**

(75) Inventors: **Edward Felix**, Phoenix, AZ (US);  
**Maximilian A. Biberger**, Scottsdale, AZ (US)

(73) Assignee: **Hitek Aqua Systems**, Tempe, AZ (US)

(\*\*) **Term:** **14 Years**

(21) **Appl. No.:** **29/289,526**

(22) **Filed:** **Jul. 23, 2007**

(51) **LOC (9) Cl.** ..... **23-01**

(52) **U.S. Cl.** ..... **D23/259**

(58) **Field of Classification Search** ..... D23/208,  
D23/210, 258-269; 210/241, 242.1, 242.2,  
210/242.3, 169

See application file for complete search history.

(56) **References Cited**

**U.S. PATENT DOCUMENTS**

D138,325 S *	7/1944	Pool	.....	D23/258
3,162,470 A *	12/1964	Franklin et al.	.....	285/86
D242,618 S *	12/1976	Milo	.....	D23/247
D254,266 S *	2/1980	Tableriou	.....	D23/262
4,781,810 A	11/1988	Tucker	.....	204/228
4,900,432 A	2/1990	Arnold et al.	.....	210/91
5,055,183 A *	10/1991	Buchan	.....	210/85
5,115,222 A	5/1992	Peralta et al.	.....	340/573
5,152,610 A	10/1992	Hallett	.....	274/156
5,189,350 A	2/1993	Mallett	.....	310/434
5,518,635 A	5/1996	Kohlman	.....	210/749
D371,824 S *	7/1996	Price et al.	.....	D23/208
5,681,110 A	10/1997	Burzacchi	.....	374/156
5,996,138 A	12/1999	Kentch	.....	4/508
6,113,858 A	9/2000	Tang et al.	.....	422/82.09
D432,206 S *	10/2000	Stoltz et al.	.....	D23/209
D439,313 S *	3/2001	Wey et al.	.....	D23/236
6,223,359 B1	5/2001	Oltmanns et al.	.....	4/508
6,225,900 B1	5/2001	Keon et al.	.....	340/539
6,228,272 B1	5/2001	Gola	.....	210/742
6,238,553 B1	5/2001	Lin	.....	210/94
6,294,086 B1	9/2001	Reeves	.....	210/198.1
6,309,538 B1	10/2001	Khan	.....	210/85

D489,431 S *	5/2004	Antunez	.....	D23/236
6,792,956 B2	9/2004	Bredo et al.	.....	134/22.18
6,958,693 B2	10/2005	Rothgeb et al.	.....	340/539.22
7,037,038 B1	5/2006	Haski et al.	.....	405/60
D526,382 S *	8/2006	Thompson	.....	D23/208
D537,913 S *	3/2007	Biberger et al.	.....	D23/208
D559,943 S *	1/2008	Mercer et al.	.....	D23/208
2001/0045380 A1	11/2001	Khan	.....	210/85
2003/0227394 A1	12/2003	Rothgeb et al.	.....	340/870.01
2004/0031329 A1	2/2004	Carpenter et al.	.....	73/861.19
2004/0066313 A1	4/2004	Ong et al.	.....	340/870.11
2004/0208499 A1	10/2004	Grober	.....	396/428
2005/0220169 A1	10/2005	McGowan-Scanlon	.....	374/156
2005/0225766 A1	10/2005	Hansen et al.	.....	356/436
2005/0279677 A1	12/2005	Lin	.....	210/96.1
2006/0096927 A1 *	5/2006	Clukies	.....	210/691

**FOREIGN PATENT DOCUMENTS**

DE	199 21 436 A1	5/2000
WO	WO 03/087501 A1	10/2003
WO	WO 03/091668 A2	11/2003

\* cited by examiner

*Primary Examiner*—T. Chase Nelson  
*Assistant Examiner*—Eric L Goodman  
(74) *Attorney, Agent, or Firm*—Haverstock & Owens LLP

(57) **CLAIM**

The ornamental design for a floating housing, as shown and described.

**DESCRIPTION**

FIG. 1 is a side elevational view of floating housing in the Up position, showing our new design;  
FIG. 2 is a bottom view in the Up position thereof;  
FIG. 3 is a side perspective view, from the bottom, in the Up position thereof;  
FIG. 4 is an alternate side perspective view, from the bottom, in the Up position thereof;  
FIG. 5 is a side elevational view in the Down position thereof;  
FIG. 6 is an alternate side elevational view in the Down position thereof;

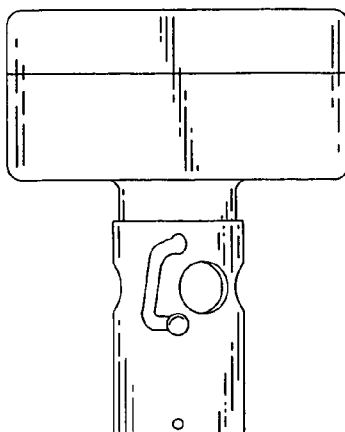


FIG. 7 is a side perspective view, from the bottom, in the Down position thereof;

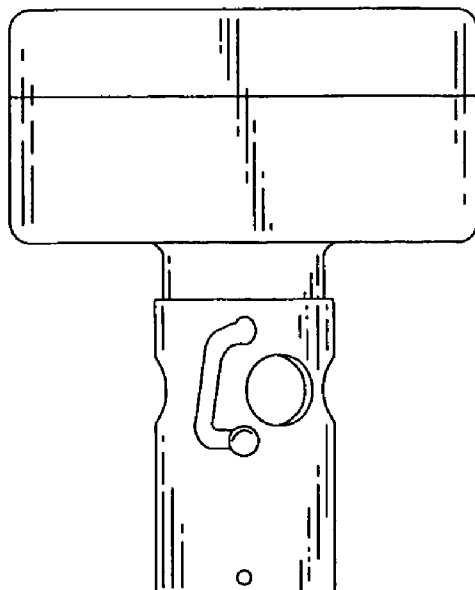
FIG. 8 is an alternate side perspective view, from the top, in the Down position thereof;

FIG. 9 is a side elevational view in the Shipping position thereof; and,

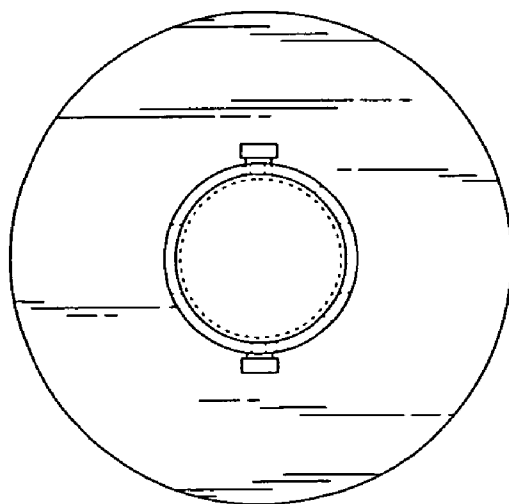
FIG. 10 is a bottom view in the Shipping position thereof.

The broken line showing in FIGS. 2, 5, and 10 is included for the purpose of illustrating portions of the article and forms no part of the claimed design.

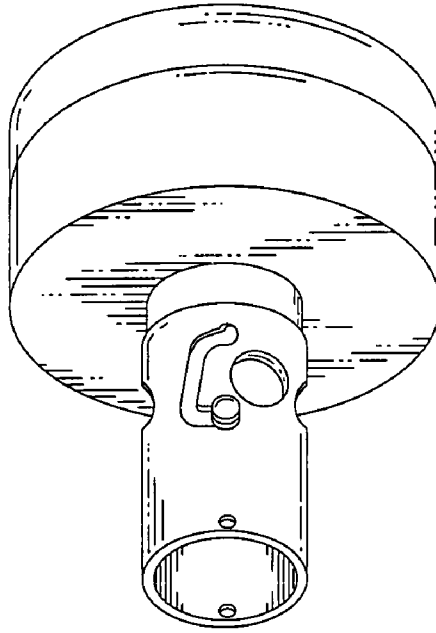
**1 Claim, 5 Drawing Sheets**



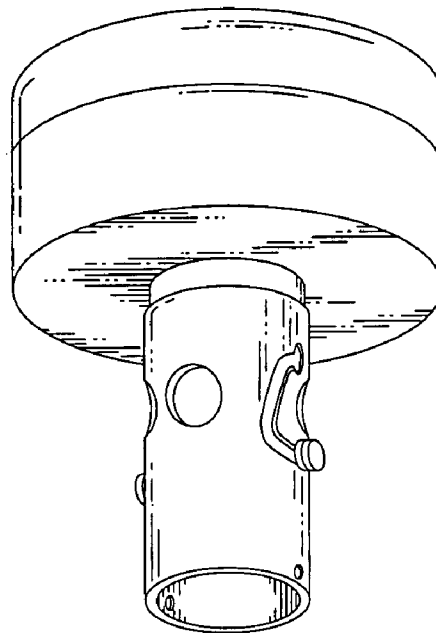
**Fig. 1**



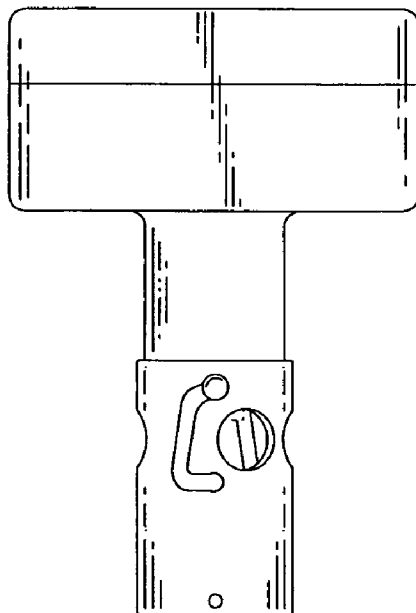
**Fig. 2**



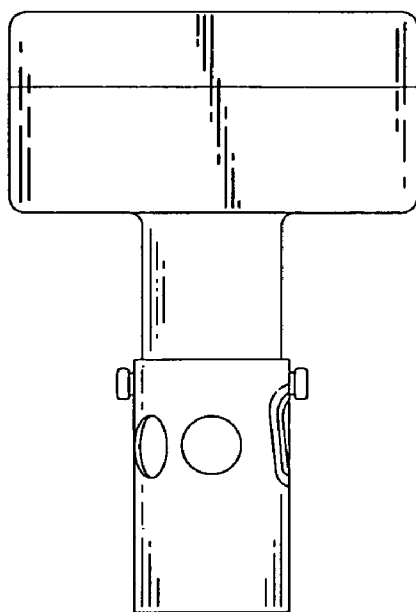
**Fig. 3**



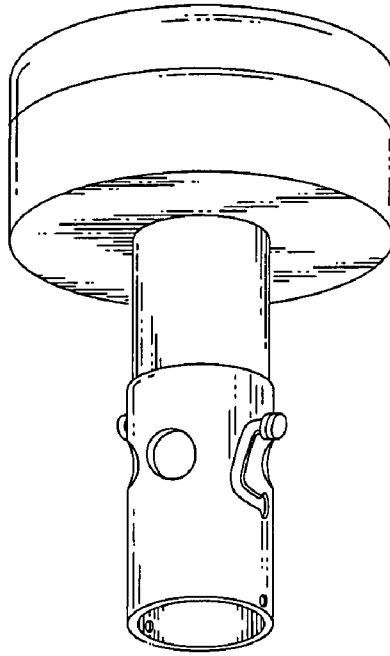
**Fig. 4**



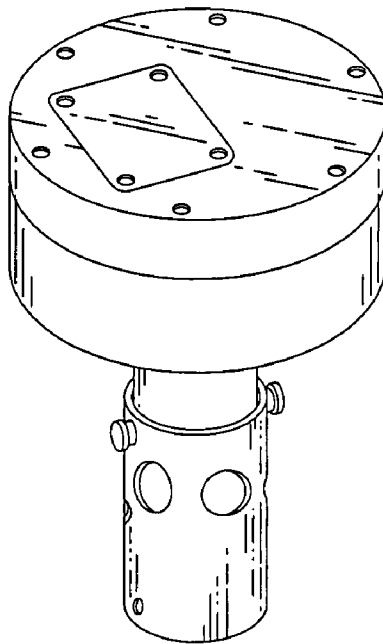
**Fig. 5**



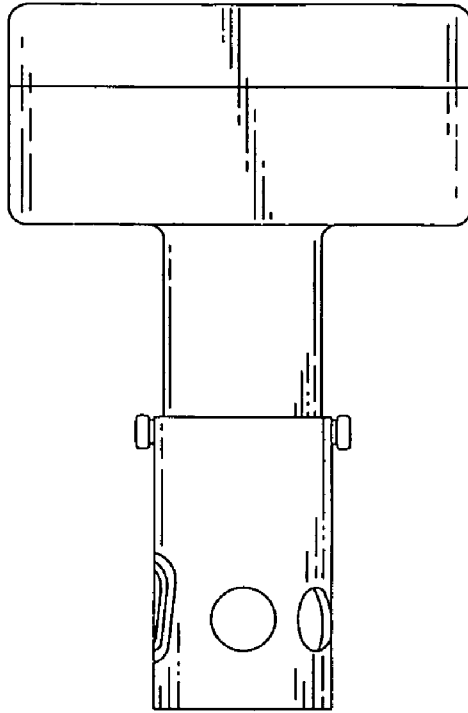
**Fig. 6**



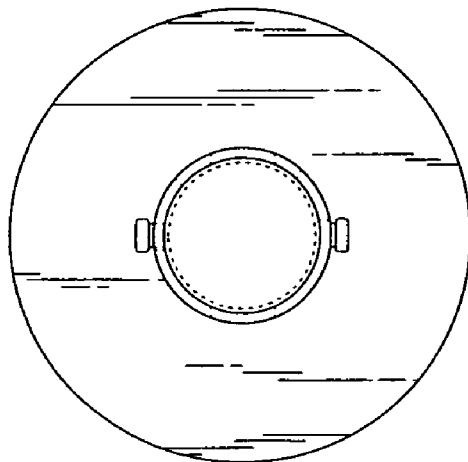
**Fig. 7**



**Fig. 8**



**Fig. 9**



**Fig. 10**