

(19) World Intellectual Property Organization
International Bureau



(43) International Publication Date
23 July 2009 (23.07.2009)

PCT

(10) International Publication Number
WO 2009/091010 A3

(51) International Patent Classification:
H04L 1/18 (2006.01) H04L 1/06 (2006.01)

(21) International Application Number:
PCT/JP2009/050501

(22) International Filing Date:
8 January 2009 (08.01.2009)

(25) Filing Language: English

(26) Publication Language: English

(30) Priority Data:
61/021,359 16 January 2008 (16.01.2008) US
61/077,905 3 July 2008 (03.07.2008) US
12/239,491 26 September 2008 (26.09.2008) US

(71) Applicant (for all designated States except AO, JP, ST, US): MITSUBISHI ELECTRIC CORPORATION [JP/JP]; 7-3, Marunouchi 2-chome, Chiyoda-ku, Tokyo, 1008310 (JP).

(71) Applicant (for JP only): MITSUBISHI ELECTRIC RESEARCH LABORATORIES, INC. [US/US]; 201 Broadway, Cambridge, Massachusetts, 02139 (US).

(72) Inventors; and

(75) Inventors/Applicants (for US only): ORLIK, Philip, V. [US/US]; 189 Richdale AVE Unit B4, Cambridge, Massachusetts, 02140 (US). MATSUMOTO, Wataru [JP/JP]; c/o Mitsubishi Electric Corporation, 7-3, Marunouchi 2-chome, Chiyoda-ku, Tokyo, 1008310 (JP). MOLISCH, Andreas, F. [AT/US]; 438 Massachusetts Av. #226, Arlington, Massachusetts, 02474 (US). TAO, Zhifeng [CN/US]; 15 North Beacon Street, Unit 316, All-

ston, Massachusetts, 02134 (US). ZHANG, Jinyun [CA/US]; 170 Gore ST, APT 616, Cambridge, Massachusetts, 02141 (US).

(74) Agents: SOGA, Michiharu et al.; S. Soga & Co., 8th Floor, Kokusai Building, 1-1, Marunouchi 3-chome, Chiyoda-ku, Tokyo 1000005 (JP).

(81) Designated States (unless otherwise indicated, for every kind of national protection available): AE, AG, AL, AM, AO, AT, AU, AZ, BA, BB, BG, BH, BR, BW, BY, BZ, CA, CH, CN, CO, CR, CU, CZ, DE, DK, DM, DO, DZ, EC, EE, EG, ES, FI, GB, GD, GE, GH, GM, GT, HN, HR, HU, ID, IL, IN, IS, JP, KE, KG, KM, KN, KP, KR, KZ, LA, LC, LK, LR, LS, LT, LU, LY, MA, MD, ME, MG, MK, MN, MW, MX, MY, MZ, NA, NG, NI, NO, NZ, OM, PG, PH, PL, PT, RO, RS, RU, SC, SD, SE, SG, SK, SL, SM, ST, SV, SY, TJ, TM, TN, TR, TT, TZ, UA, UG, US, UZ, VC, VN, ZA, ZM, ZW.

(84) Designated States (unless otherwise indicated, for every kind of regional protection available): ARIPO (BW, GH, GM, KE, LS, MW, MZ, NA, SD, SL, SZ, TZ, UG, ZM, ZW), Eurasian (AM, AZ, BY, KG, KZ, MD, RU, TJ, TM), European (AT, BE, BG, CH, CY, CZ, DE, DK, EE, ES, FI, FR, GB, GR, HR, HU, IE, IS, IT, LT, LU, LV, MC, MK, MT, NL, NO, PL, PT, RO, SE, SI, SK, TR), OAPI (BF, BJ, CF, CG, CI, CM, GA, GN, GQ, GW, ML, MR, NE, SN, TD, TG).

Published:

— with international search report (Art. 21(3))

[Continued on next page]

(54) Title: METHOD FOR TRANSMITTING A BLOCK OF SYMBOLS IN MIMO NETWORKS

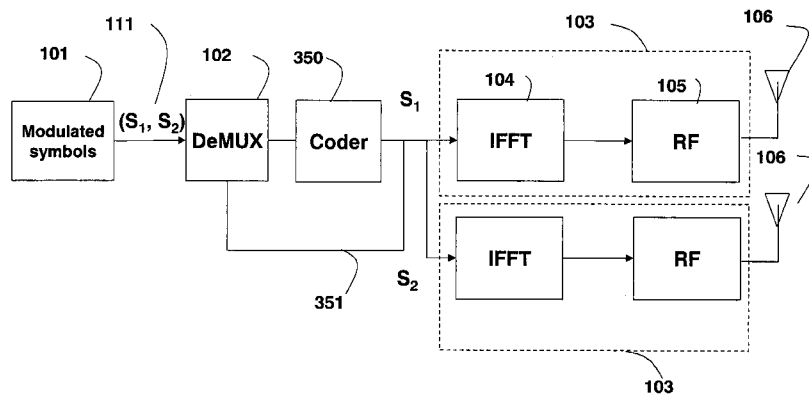


Figure 1
310

(57) Abstract: A method transmits a block of symbols in a multiple-input multiple-output (MIMO) network including a transmitter having a set of transmit antennas and a receiver having a set of receive antennas. A block of symbols is coded with a first code to generate a first block, which is transmitted and received. If a decoding of the first block is incorrect, then block of symbols is coded with the first code and then a second code different than the first code to generate a second block. The second block is transmitted, received and combined with the first block to recover the block of symbols.

WO 2009/091010 A3

(88) Date of publication of the international search report:
8 October 2009

INTERNATIONAL SEARCH REPORT

International application No
PCT/JP2009/050501

A. CLASSIFICATION OF SUBJECT MATTER
INV. H04L1/18 H04L1/06

According to International Patent Classification (IPC) or to both national classification and IPC

B. FIELDS SEARCHED

Minimum documentation searched (classification system followed by classification symbols)
H04L

Documentation searched other than minimum documentation to the extent that such documents are included in the fields searched

Electronic data base consulted during the international search (name of data base and, where practical, search terms used)

EPO-Internal, INSPEC, WPI Data

C. DOCUMENTS CONSIDERED TO BE RELEVANT

Category*	Citation of document, with indication, where appropriate, of the relevant passages	Relevant to claim No.
X	WO 2007/123904 A1 (INTERDIGITAL TECH CORP [US]; LI YINGXUE [US]; SHIN SUNG-HYUK [US]; ZHA) 1 November 2007 (2007-11-01)	1-8, 10
A	abstract page 5, column 27 - page 11, column 46	9, 11
X	HUI ZHAO ET AL: "An Adaptive HARQ Scheme Based on Quasi-Orthogonal Space-Time Coding for D-STTD System" GLOBAL TELECOMMUNICATIONS CONFERENCE, 2007. GLOBECOM '07. IEEE, IEEE, PISCATAWAY, NJ, USA, 1 November 2007 (2007-11-01), pages 4000-4004, XP031196688 ISBN: 978-1-4244-1042-2 the whole document	1-2, 4-8
	----- -/--	

Further documents are listed in the continuation of Box C.

See patent family annex.

* Special categories of cited documents:

- 'A' document defining the general state of the art which is not considered to be of particular relevance
- 'E' earlier document but published on or after the international filing date
- 'L' document which may throw doubts on priority claim(s) or which is cited to establish the publication date of another citation or other special reason (as specified)
- 'O' document referring to an oral disclosure, use, exhibition or other means
- 'P' document published prior to the international filing date but later than the priority date claimed

- 'T' later document published after the international filing date or priority date and not in conflict with the application but cited to understand the principle or theory underlying the invention
- 'X' document of particular relevance; the claimed invention cannot be considered novel or cannot be considered to involve an inventive step when the document is taken alone
- 'Y' document of particular relevance; the claimed invention cannot be considered to involve an inventive step when the document is combined with one or more other such documents, such combination being obvious to a person skilled in the art.
- '&' document member of the same patent family

Date of the actual completion of the international search

29 June 2009

Date of mailing of the international search report

06/07/2009

Name and mailing address of the ISA/

European Patent Office, P.B. 5818 Patentlaan 2
NL - 2280 HV Rijswijk
Tel. (+31-70) 340-2040,
Fax: (+31-70) 340-3016

Authorized officer

Toumpoulidis, T

INTERNATIONAL SEARCH REPORT

International application No

PCT/JP2009/050501

C(Continuation). DOCUMENTS CONSIDERED TO BE RELEVANT

Category*	Citation of document, with indication, where appropriate, of the relevant passages	Relevant to claim No.
X	AGERE SYSTEMS: "Open Loop Transmit Diversity for Downlink Channels with 4 Transmit Antennas in E-UTRA" 3GPP DRAFT; R1-070015 (OL TXD FOR DL CHANNELS WITH 4 TX ANTS), 3RD GENERATION PARTNERSHIP PROJECT (3GPP), MOBILE COMPETENCE CENTRE ; 650, ROUTE DES LUCIOLES ; F-06921 SOPHIA-ANTIPOLIS CEDEX ; FRANCE, vol. RAN WG1, no. Sorrento, Italy; 20070115, 9 January 2007 (2007-01-09), XP050104082 the whole document	1-2,4-8
X,P	EP 1 986 384 A2 (SAMSUNG ELECTRONICS CO LTD [KR]) 29 October 2008 (2008-10-29) the whole document	1-8,10

INTERNATIONAL SEARCH REPORT

Information on patent family members

International application No PCT/JP2009/050501

Patent document cited in search report	Publication date	Patent family member(s)	Publication date
WO 2007123904 A1	01-11-2007	AR 060519 A1	25-06-2008
		AU 2007240912 A1	01-11-2007
		CA 2649886 A1	01-11-2007
		CN 101427505 A	06-05-2009
		EP 2014006 A1	14-01-2009
		KR 20080108612 A	15-12-2008
		KR 20080111565 A	23-12-2008
EP 1986384 A2	29-10-2008	KR 20080096471 A	30-10-2008
		US 2008267310 A1	30-10-2008