



US00D716929S

(12) **United States Design Patent**
Gobber et al.

(10) **Patent No.:** **US D716,929 S**

(45) **Date of Patent:** **** Nov. 4, 2014**

(54) **AIR FRESHENER**

(56) **References Cited**

(71) Applicant: **Zobeles España, S.A.**, Barcelona (ES)

U.S. PATENT DOCUMENTS

(72) Inventors: **Cedric Gobber**, Barcelona (ES);
Montse Riera Giner, Barcelona (ES);
Juan Antonio Gómez Gracia,
Barcelona (ES); **Elisabeth Martínez De**
Morentin Pujabet, Barcelona (ES)

D270,468	S	*	9/1983	Hoyt	D23/369
D275,222	S	*	8/1984	Hoyt	D23/369
D515,681	S	*	2/2006	Muir et al.	D23/366
D544,594	S	*	6/2007	Zobeles	D23/366
D544,953	S	*	6/2007	Kee	D23/368
D565,715	S	*	4/2008	Wu	D23/366
D642,254	S	*	7/2011	Mazzeo et al.	D23/366
D642,255	S	*	7/2011	Mazzeo et al.	D23/366
D647,186	S	*	10/2011	Chan et al.	D23/364
D649,237	S	*	11/2011	Bilko et al.	D23/366
D663,400	S	*	7/2012	Hewson-Hyde et al.	D23/366
D663,401	S	*	7/2012	Hewson-Hyde et al.	D23/366
D676,539	S	*	2/2013	Sanders	D23/366
D676,540	S	*	2/2013	Sanders	D23/366
D684,674	S	*	6/2013	Blachford et al.	D23/366
D694,382	S	*	11/2013	Brandenburg et al.	D23/366

(73) Assignee: **Zobeles España, S.A.**, Barcelona (ES)

(**) Term: **14 Years**

(21) Appl. No.: **29/466,396**

(22) Filed: **Sep. 6, 2013**

(30) **Foreign Application Priority Data**

Mar. 6, 2013 (EP) 002197210-0002

(51) **LOC (10) Cl.** **28-99**

(52) **U.S. Cl.**

CPC **A61L 9/12** (2013.01)

USPC **D23/366**

(58) **Field of Classification Search**

CPC A61L 9/00; A61L 9/02; A61L 9/03;
A61L 9/032; A61L 9/035; A61L 9/037;
A61L 9/04; A61L 9/012; A61L 9/022

USPC D23/355-369; D28/5, 6; 261/DIG. 17,
261/DIG. 42, DIG. 65, DIG. 88, DIG. 89;
392/386, 390, 394, 395; 239/34, 44,
239/53, 55, 56, 326; D26/14, 17, 98, 9, 22,
D26/24; D11/131.1; D7/509, 522, 524, 537

See application file for complete search history.

* cited by examiner

Primary Examiner — Sandra Snapp

(74) *Attorney, Agent, or Firm* — Kunzler Law Group, PC

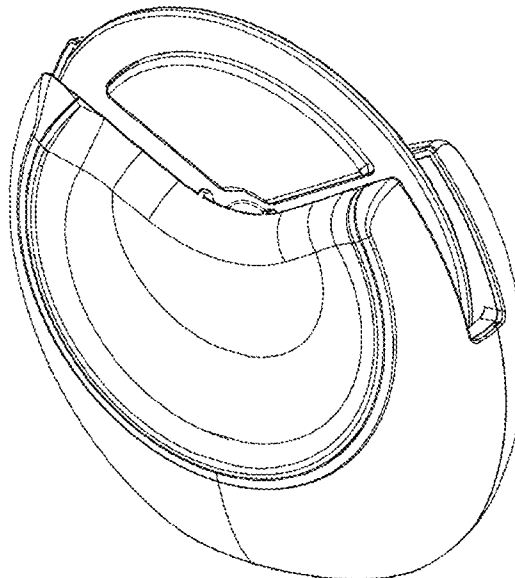
(57) **CLAIM**

The ornamental design for an air freshener, as shown and described.

DESCRIPTION

FIG. 1 is a front perspective view of the air freshener;
FIG. 2 is a front view the air freshener;
FIG. 3 is a rear view of the air freshener;
FIG. 4 is a left side view of the air freshener;
FIG. 5 is a right side view of the air freshener;
FIG. 6 is a bottom view of the air freshener; and,
FIG. 7 is a top view of the air freshener.
The broken lines shown in the drawings are for illustrative purposes only and form no part of the claimed design.

1 Claim, 7 Drawing Sheets



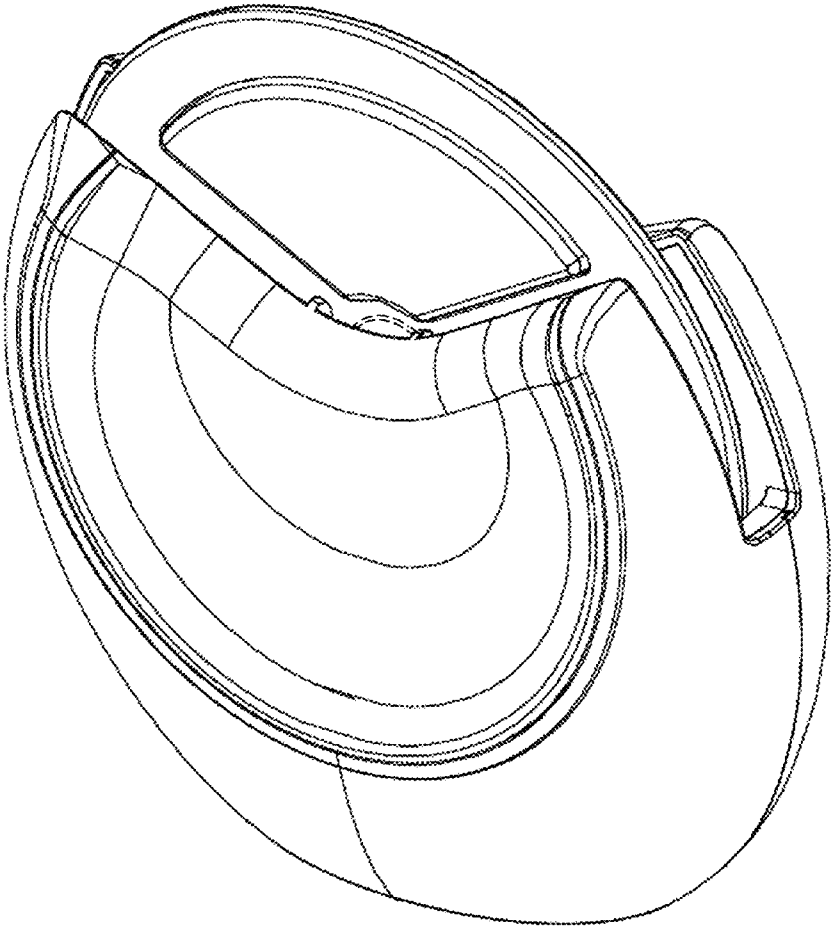


Fig. 1

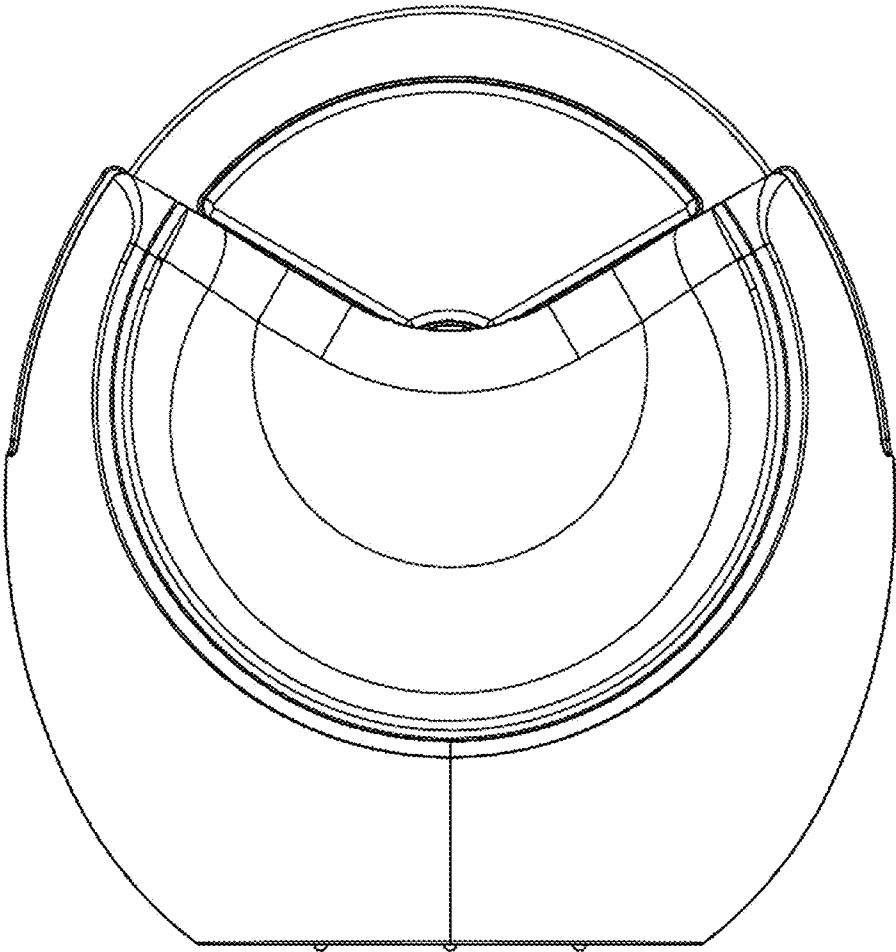


Fig. 2

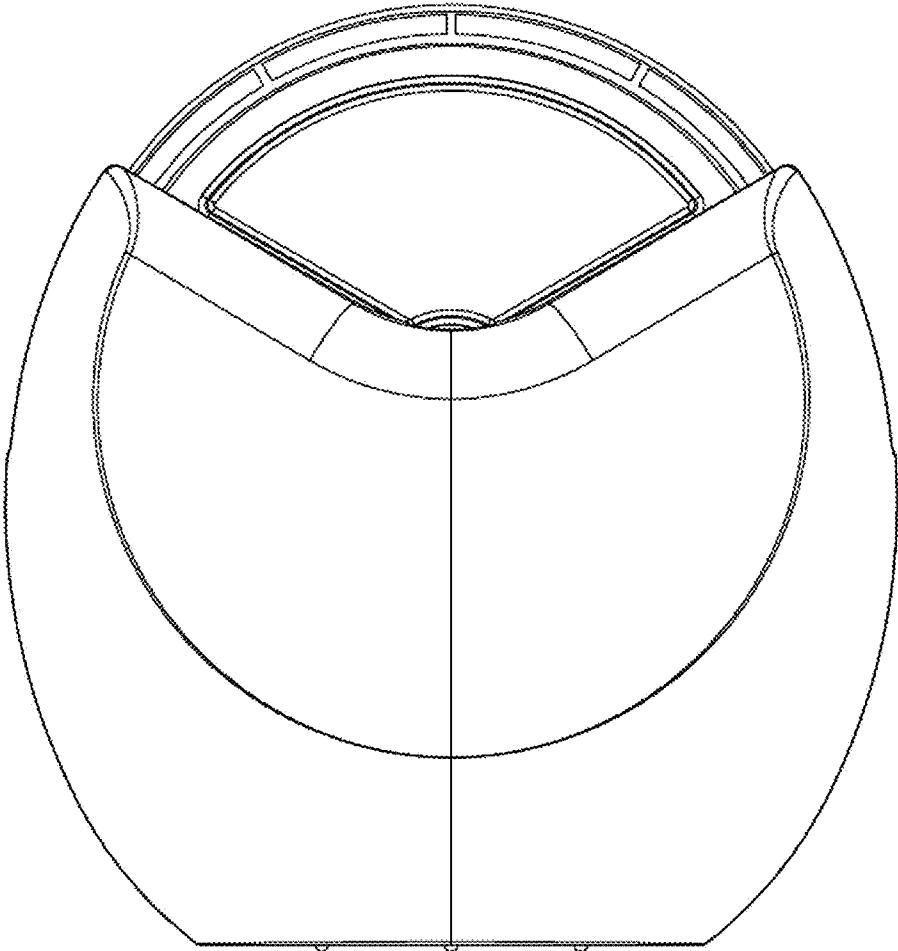


Fig. 3

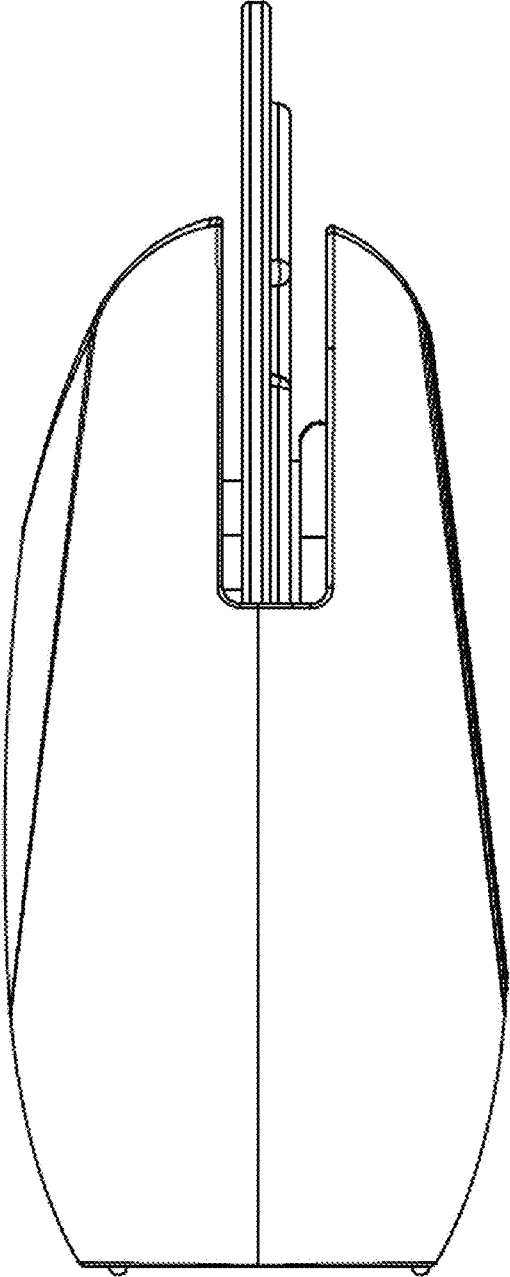


Fig. 4

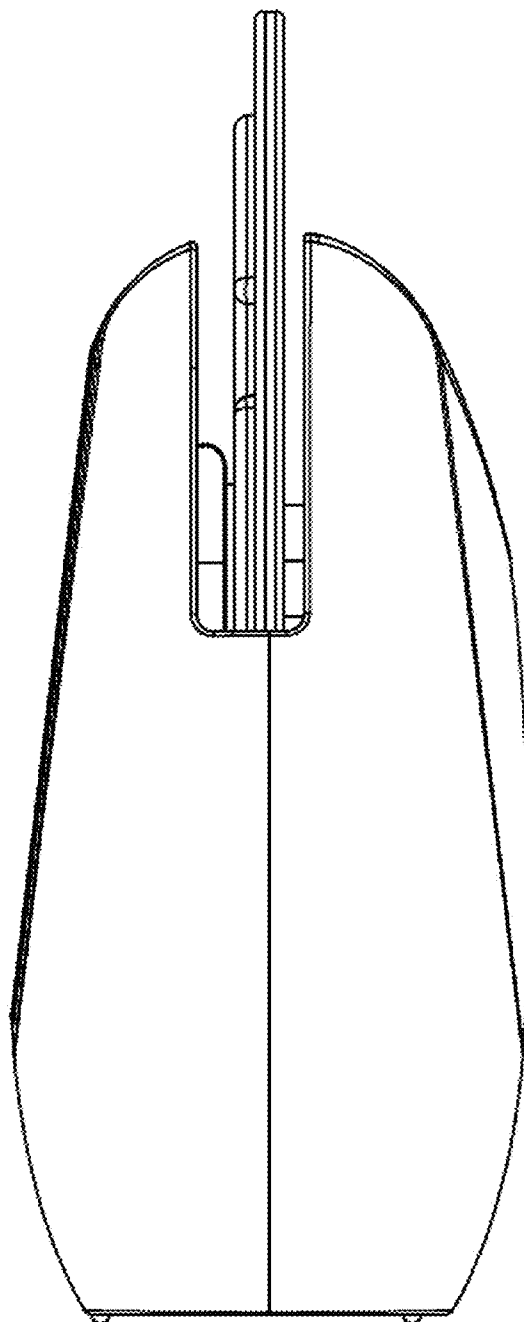


Fig. 5

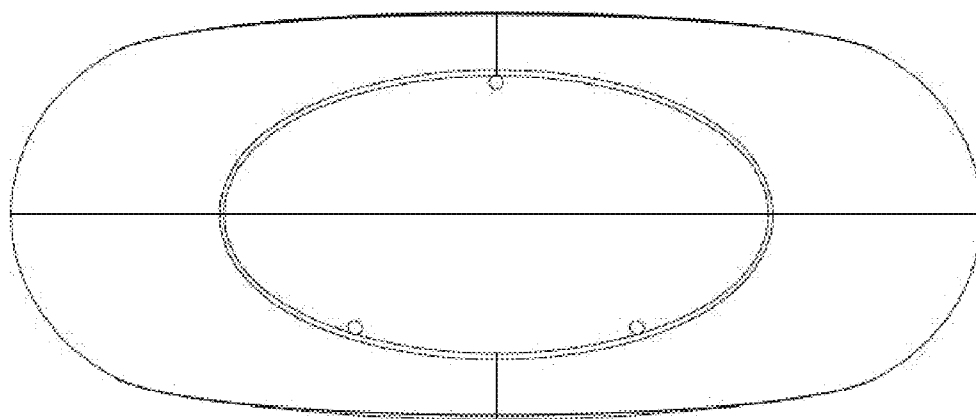


Fig. 6

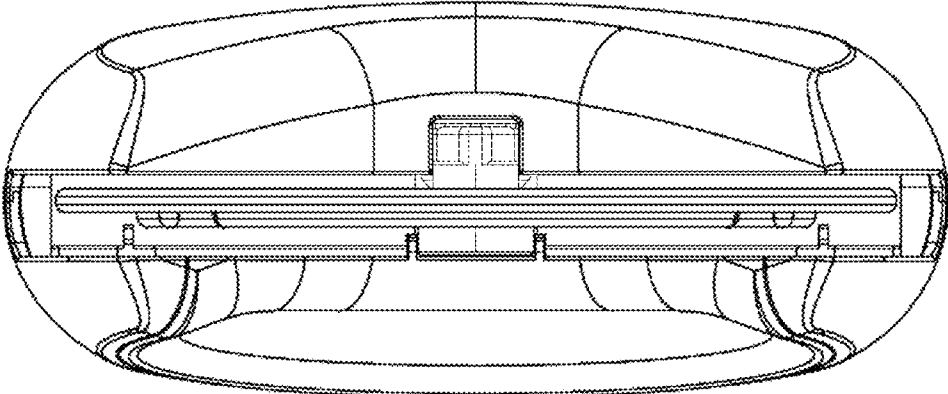


Fig. 7