



US00D656262S

(12) **United States Design Patent**
Yoshinobu et al.

(10) **Patent No.:** **US D656,262 S**

(45) **Date of Patent:** **** *Mar. 20, 2012**

(54) **RECESS LIGHTING FIXTURE**

(75) Inventors: **Masayuki Yoshinobu**, Yokosuka (JP);
Keiichi Shimizu, Yokosuka (JP); **Sumio Hashimoto**, Yokosuka (JP); **Masaru Inoue**, Yokosuka (JP)

(73) Assignee: **Toshiba Lighting & Technology Corporation**, Kanagawa (JP)

(*) Notice: This patent is subject to a terminal disclaimer.

(**) Term: **14 Years**

(21) Appl. No.: **29/353,544**

(22) Filed: **Jan. 11, 2010**

Related U.S. Application Data

(63) Continuation-in-part of application No. 29/304,252, filed on Feb. 27, 2008, now abandoned.

(30) **Foreign Application Priority Data**

Aug. 29, 2007 (JP) 2007-023463

(51) **LOC (9) Cl.** **26-05**

(52) **U.S. Cl.** **D26/74**

(58) **Field of Classification Search** D26/26, D26/37, 67, 72, 74-79, 80, 104, 108, 118, D26/120; 362/147-148, 150, 217-225, 132, 362/260, 262-264, 267, 345, 440; D13/180
See application file for complete search history.

(56) **References Cited**

U.S. PATENT DOCUMENTS

3,010,013	A	*	11/1961	Gunther et al.	362/147
4,196,460	A	*	4/1980	Schreckendgust	362/231
D300,877	S	*	4/1989	Cyr	D26/134
D324,924	S	*	3/1992	Bengochea	D26/88
D326,537	S	*	5/1992	Gattari	D26/74
5,743,628	A	*	4/1998	Greif et al.	362/228
D404,122	S	*	1/1999	Hayashi et al.	D23/370

D469,900	S	*	2/2003	Galli	D26/37
D544,117	S	*	6/2007	Coushaine	D26/37
D573,294	S	*	7/2008	Chan et al.	D26/74
D574,541	S	*	8/2008	Matsumoto et al.	D26/74
D610,289	S	*	2/2010	Yoshinobu et al.	D26/74
D610,290	S	*	2/2010	Yoshinobu et al.	D26/74
D610,291	S	*	2/2010	Yoshinobu et al.	D26/74
D610,292	S	*	2/2010	Yoshinobu et al.	D26/74
D614,781	S	*	4/2010	Huang	D26/2
D617,930	S	*	6/2010	Chen	D26/63
D624,691	S	*	9/2010	Zhang et al.	D26/138
D625,875	S	*	10/2010	Chen et al.	D26/74
D625,876	S	*	10/2010	Chen et al.	D26/74
D626,665	S	*	11/2010	Sorokin	D26/2
D634,045	S	*	3/2011	Yoshida et al.	D26/74
D634,884	S	*	3/2011	Yoshinobu et al.	D26/123
D640,820	S	*	6/2011	Hopper	D26/74
D644,781	S	*	9/2011	Kawagoe et al.	D26/120
2003/0137838	A1	*	7/2003	Rizkin et al.	362/240

* cited by examiner

Primary Examiner — Susan E Krakower

(74) *Attorney, Agent, or Firm* — J.C. Patents

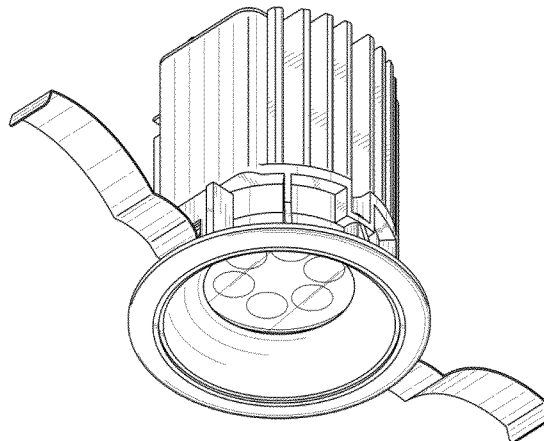
(57) **CLAIM**

The ornamental design for a recessed lighting fixture, as shown and described.

DESCRIPTION

FIG. 1 is a perspective view of a recessed lighting fixture showing our new design;
FIG. 2 is a front view thereof;
FIG. 3 is a rear view thereof;
FIG. 4 is a left side view thereof;
FIG. 5 is a right side view thereof;
FIG. 6 is a top view thereof;
FIG. 7 is a bottom view thereof;
FIG. 8 is a front view shown in use embedded in a ceiling; and,
FIG. 9 is a cross-sectional view taken along line 9-9 in FIG. 5 with the internal parts omitted.
The broken lines illustrate portions of the recessed lighting fixture which form no part of the claimed design.

1 Claim, 9 Drawing Sheets



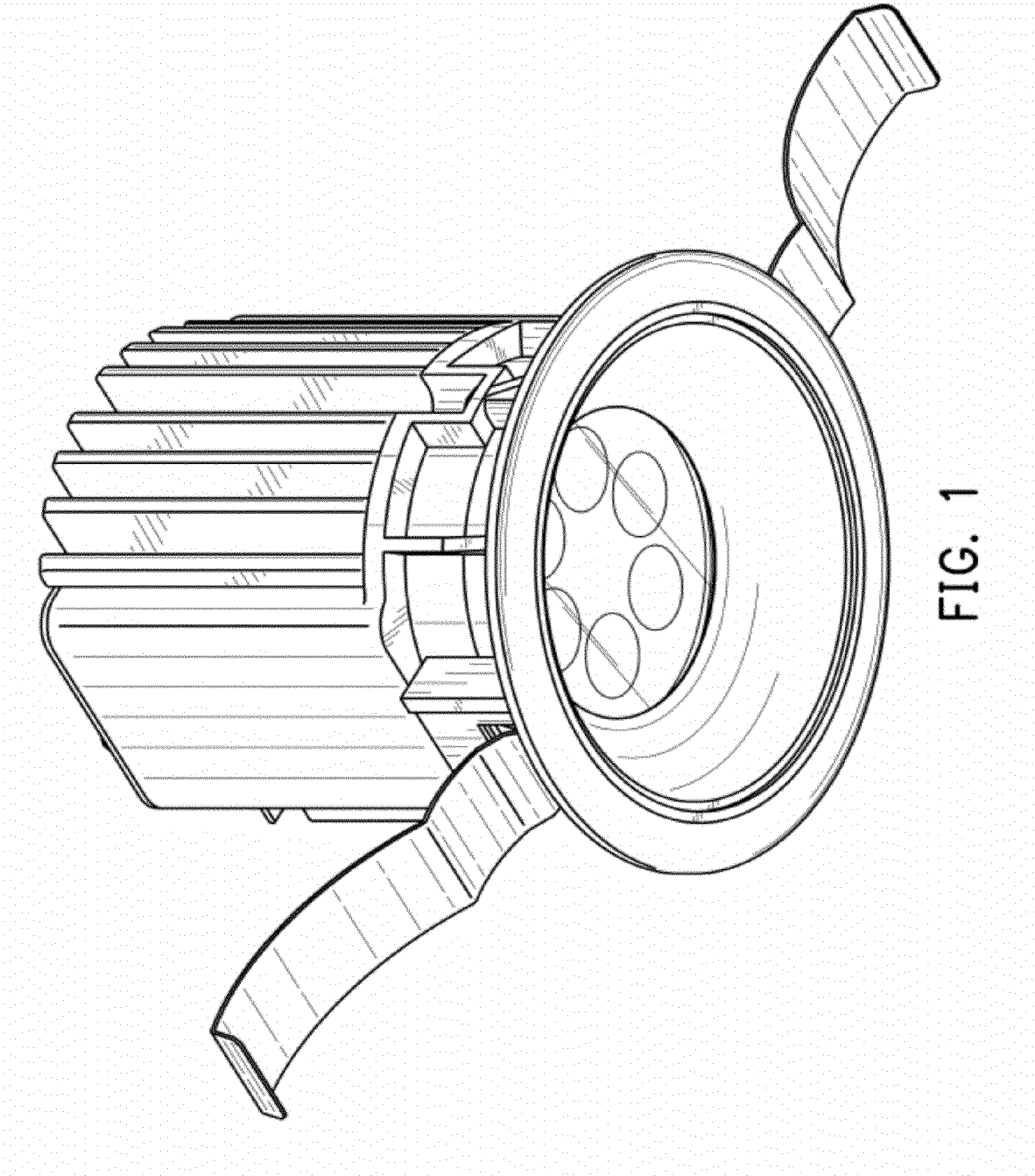


FIG. 1

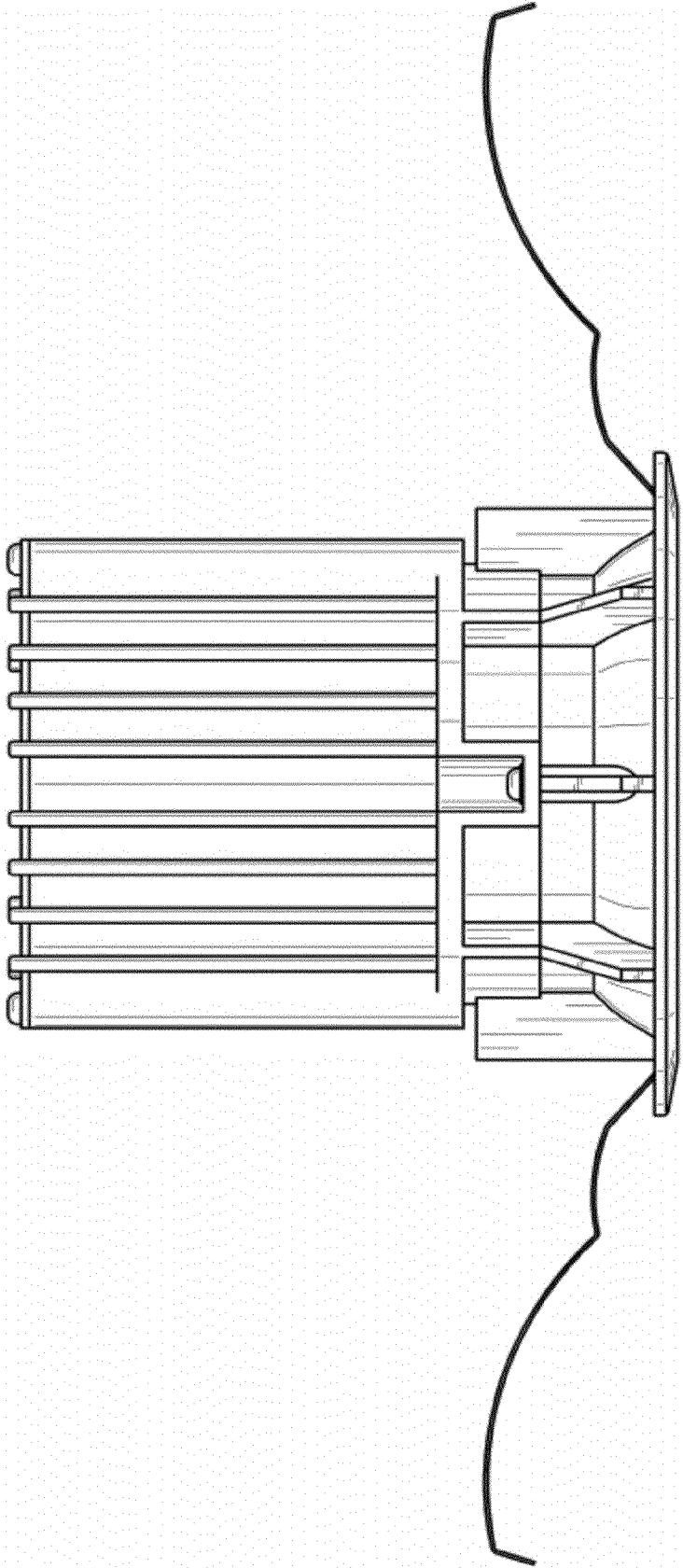


FIG. 2

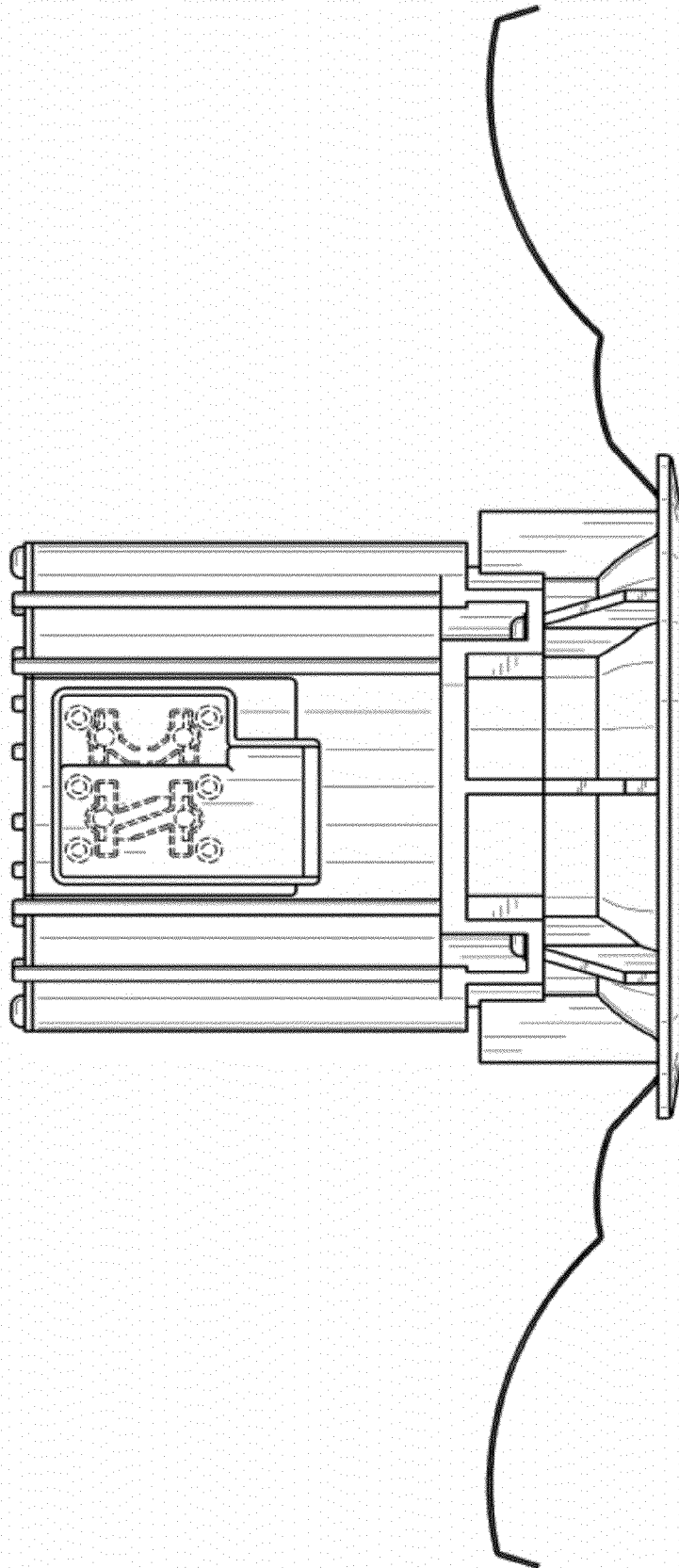
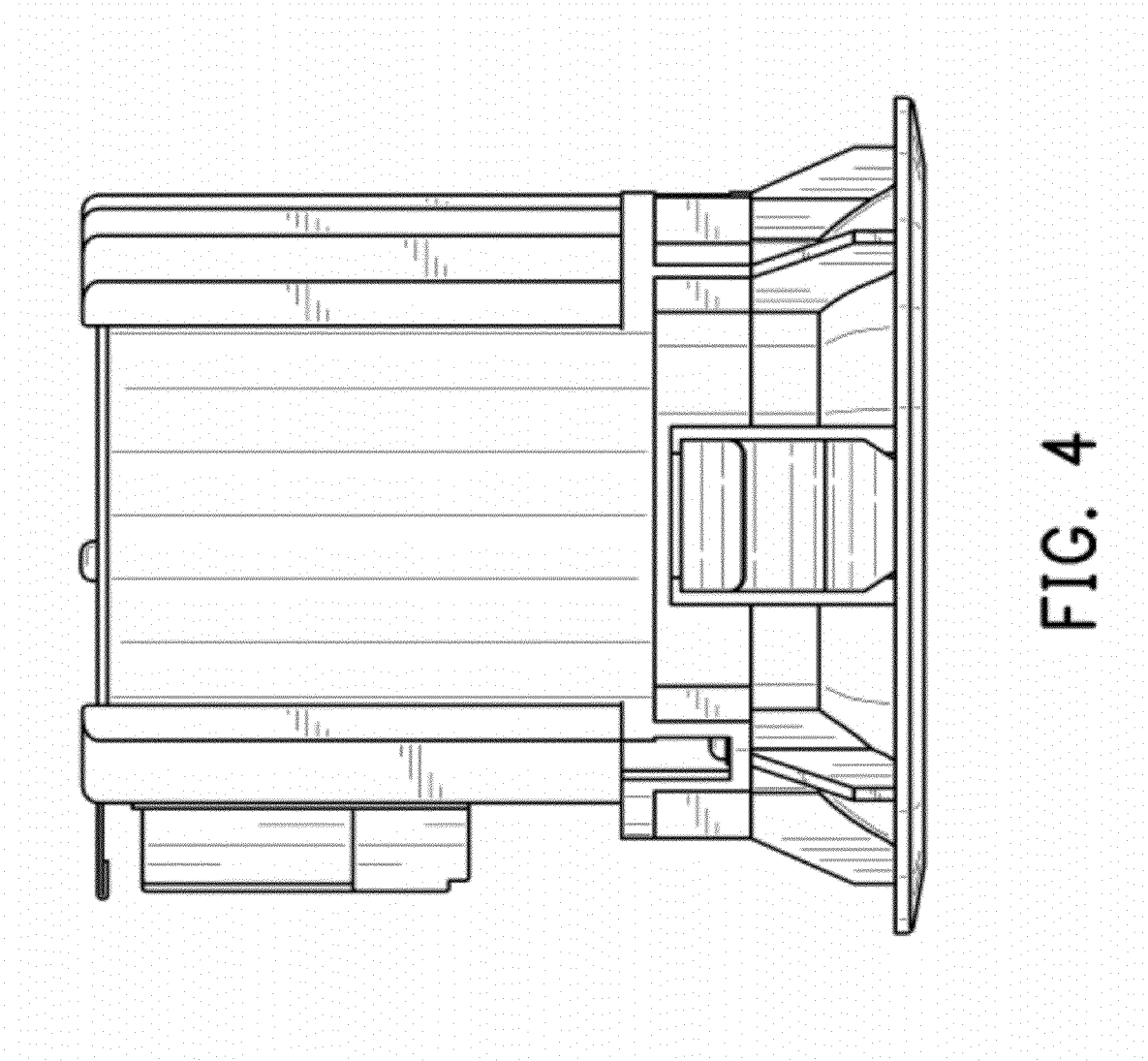


FIG. 3



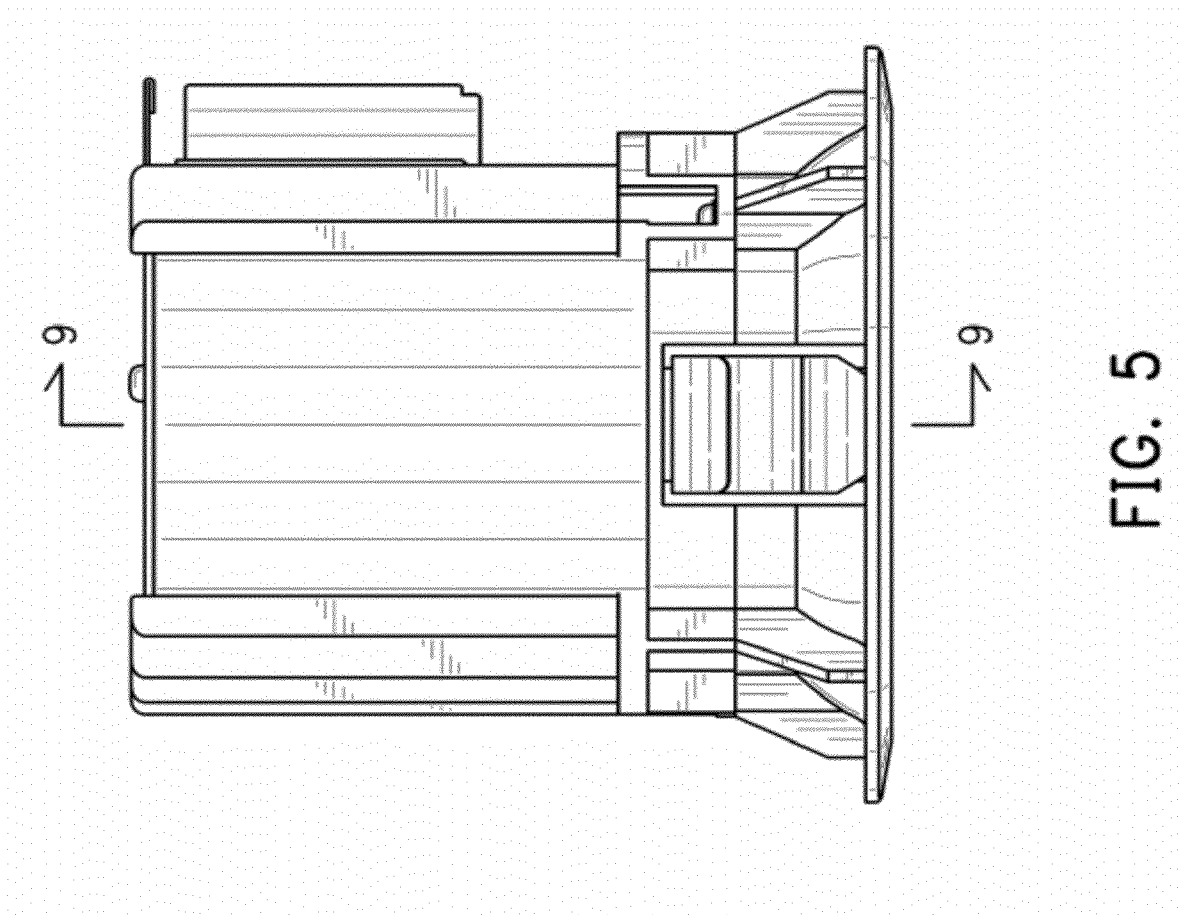


FIG. 5

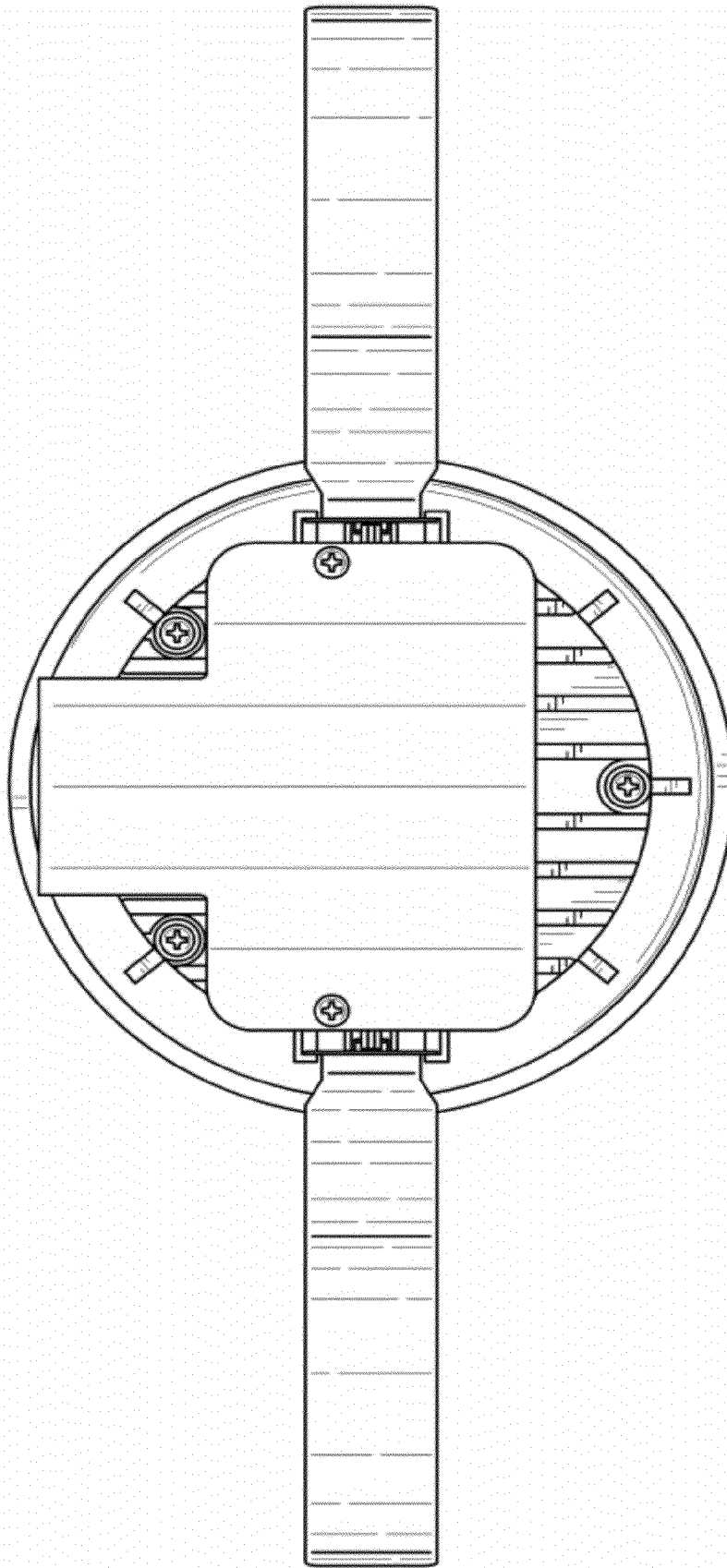


FIG. 6

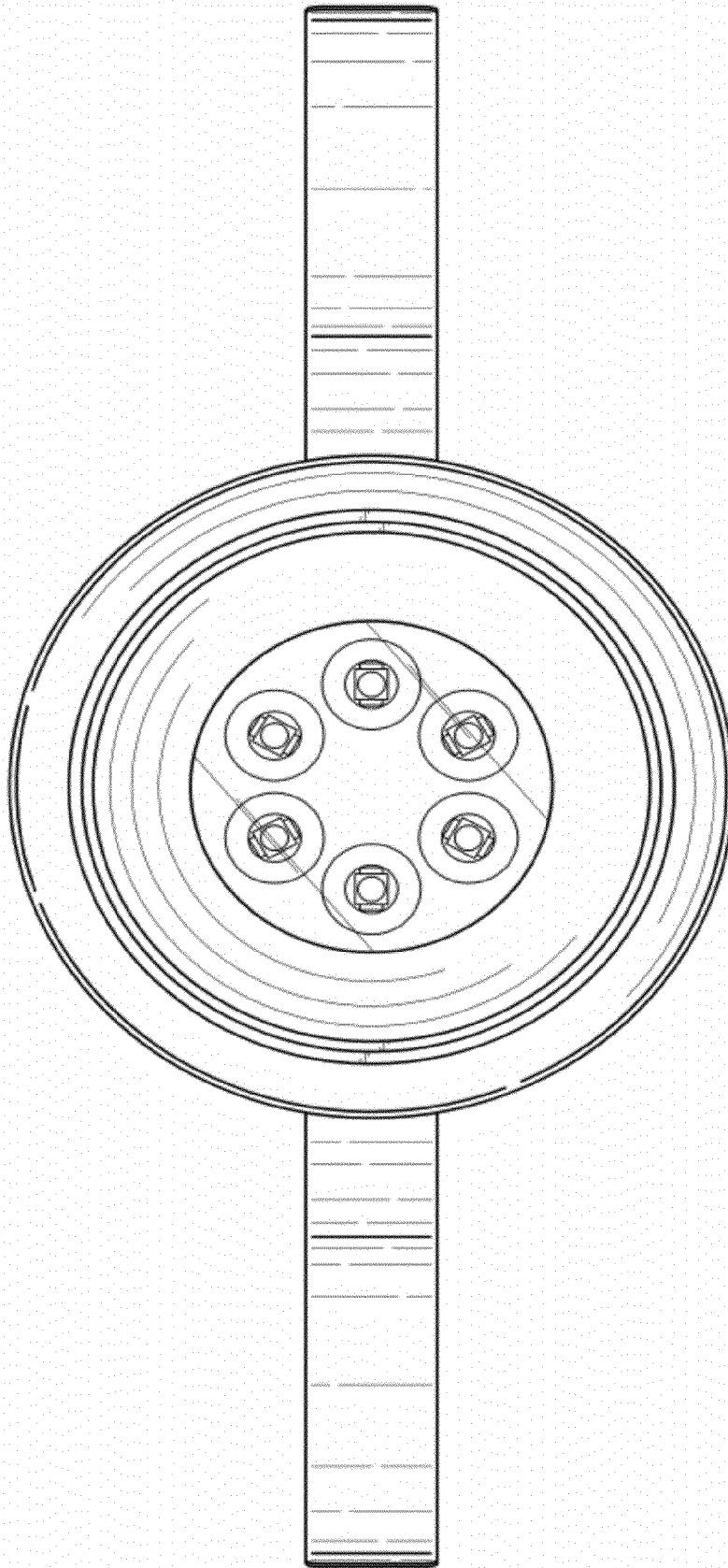


FIG. 7

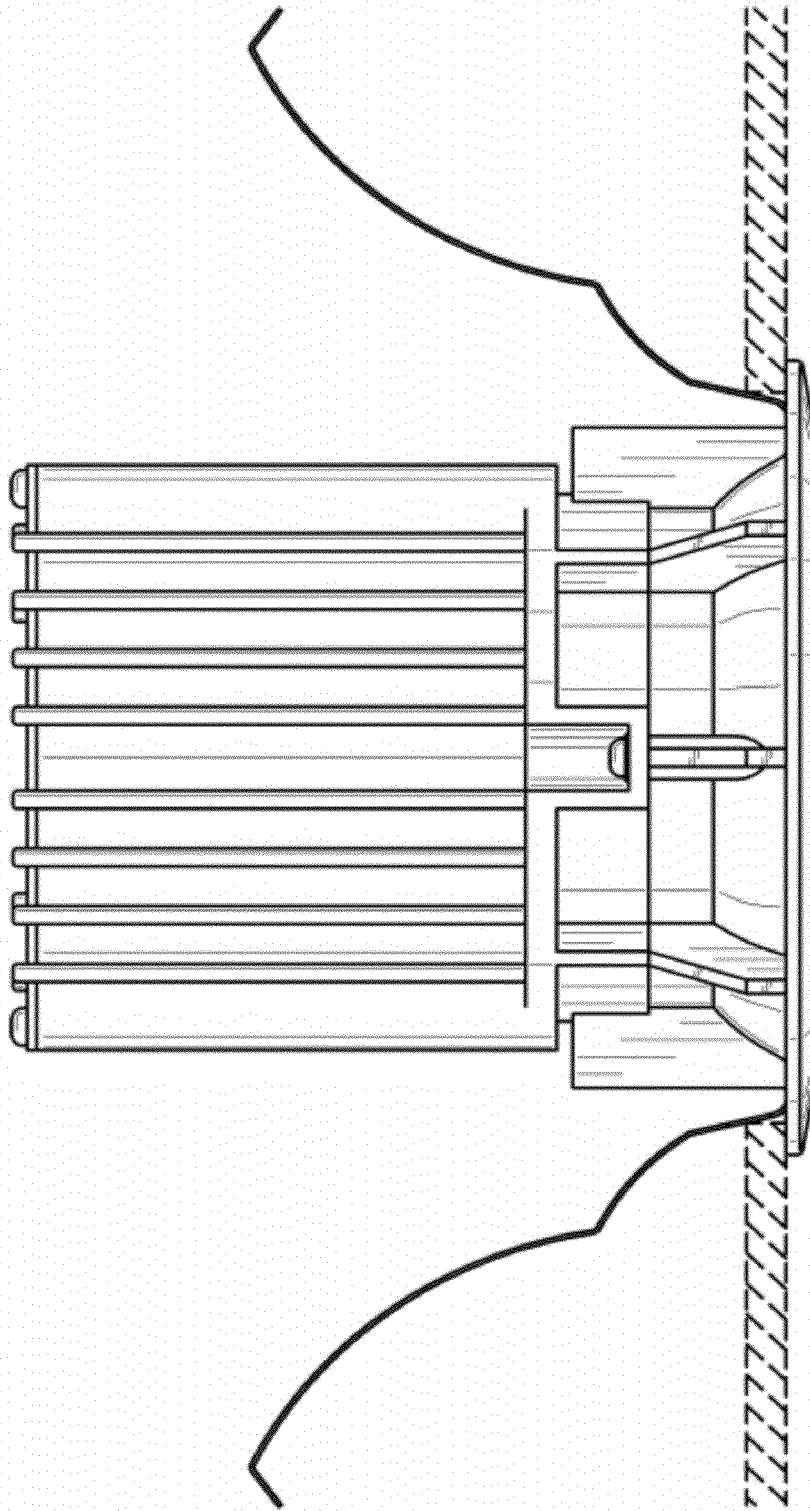


FIG. 8

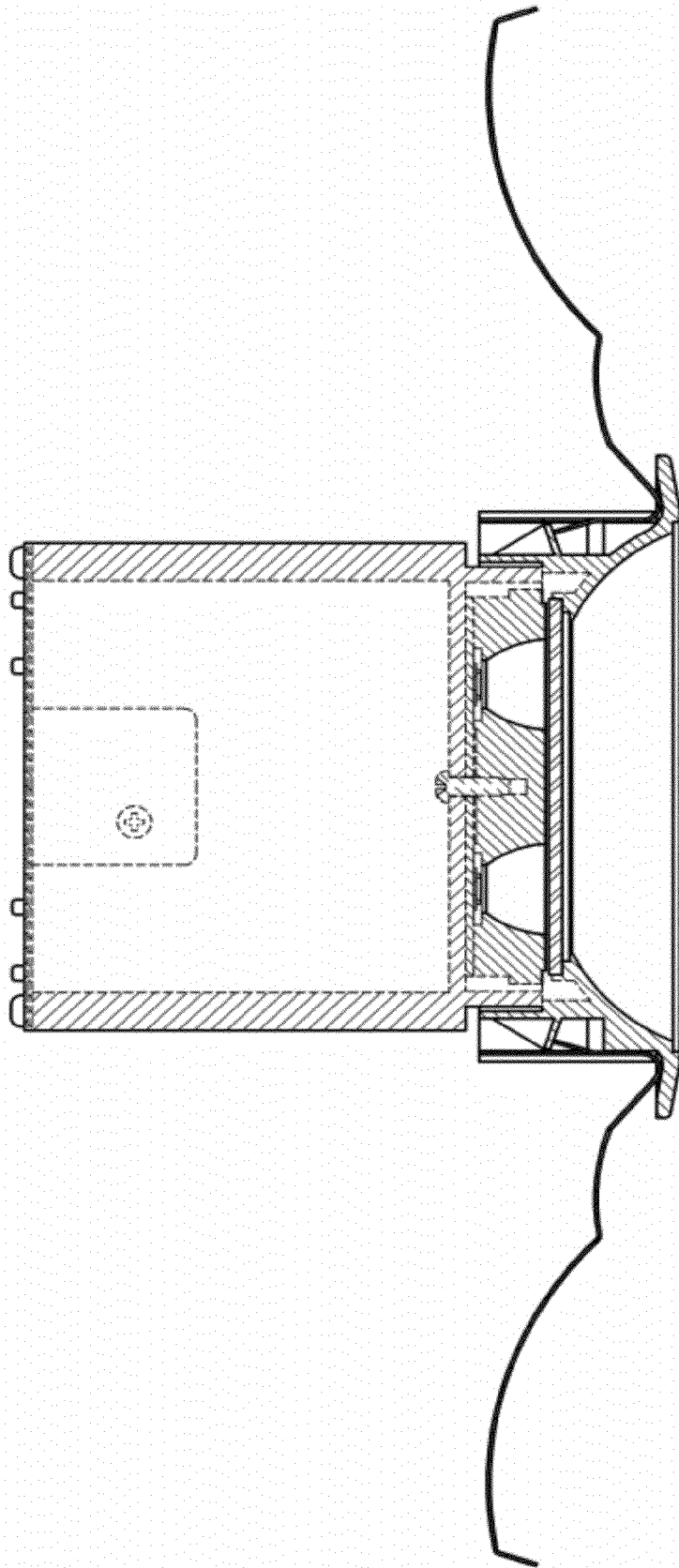


FIG. 9