



US00D829906S

(12) **United States Design Patent**  
**Fujii et al.**

(10) **Patent No.:** **US D829,906 S**

(45) **Date of Patent:** **\*\* Oct. 2, 2018**

(54) **TROCAR**

(71) Applicants: **KYOCERA Corporation**, Kyoto-shi,  
Kyoto (JP); **KYOCERA OPTEC Co., Ltd.**, Ome-shi, Tokyo (JP)

(72) Inventors: **Takaharu Fujii**, Tokorozawa (JP);  
**Takashi Saotome**, Hamura (JP)

(73) Assignees: **KYOCERA Corporation**, Kyoto-shi,  
Kyoto (JP); **KYOCERA OPTEC Co., Ltd.**, Ome-shi, Tokyo (JP)

(\*\*) Term: **15 Years**

(21) Appl. No.: **29/603,778**

(22) Filed: **May 12, 2017**

(30) **Foreign Application Priority Data**

Nov. 14, 2016 (JP) ..... 2016-024722

(51) **LOC (11) Cl.** ..... **24-02**

(52) **U.S. Cl.**  
USPC ..... **D24/146**

(58) **Field of Classification Search**  
USPC ..... D7/649; D8/93, 97, 300, 310, 311, 313;  
D19/110, 115; D24/146, 147, 148, 127,  
D24/133, 172, 173, 174, 176  
CPC .. B26B 3/00; B26B 1/10; B26B 5/005; A61B  
17/089; A61B 17/1617; A61B 17/3211;  
A61B 17/3417; A61B 5/1411  
See application file for complete search history.

(56) **References Cited**

**U.S. PATENT DOCUMENTS**

D541,417 S \* 4/2007 Albrecht ..... D24/146  
8,206,411 B2 \* 6/2012 Thompson ..... A61B 17/3462  
600/184  
D700,326 S \* 2/2014 Minelli ..... D24/146  
D713,033 S \* 9/2014 Sauer ..... D24/146

D753,303 S \* 4/2016 Dannaher ..... D24/146  
D797,288 S \* 9/2017 Zhou ..... D24/146  
2005/0070946 A1 \* 3/2005 Franer ..... A61B 17/3498  
606/185  
2007/0185453 A1 \* 8/2007 Michael ..... A61B 17/3462  
604/164.01

(Continued)

**FOREIGN PATENT DOCUMENTS**

JP 1534006 S 9/2015  
JP 2016016053 A 2/2016

(Continued)

**OTHER PUBLICATIONS**

HC1504404800, Endoscopes for Children “Olympus New OES Pro”, (Olympus Optical Co Ltd), Jan. 16, 2004, Retrieved from the Known Design Database of the Japan Patent Office using Internet, <URL: [https://www.j-platpat.inpit.go.jp/web/ishou/dpdj/DPDJ\\_GM301\\_Detailed.action](https://www.j-platpat.inpit.go.jp/web/ishou/dpdj/DPDJ_GM301_Detailed.action) >.

*Primary Examiner* — Cathron C Brooks  
*Assistant Examiner* — Samantha Q. Lawrence  
(74) *Attorney, Agent, or Firm* — Kenja IP Law PC

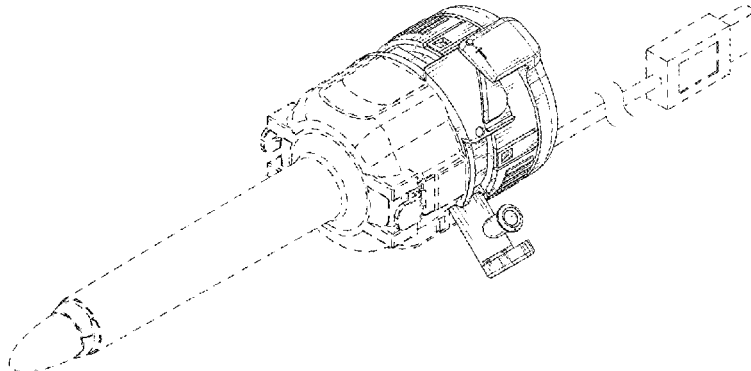
(57) **CLAIM**

The ornamental design for a trocar, as shown and described.

**DESCRIPTION**

FIG. 1 is a front perspective view of a trocar showing my new design;  
FIG. 2 is a front view thereof;  
FIG. 3 is a rear view thereof;  
FIG. 4 is a right side view thereof;  
FIG. 5 is a left side view thereof;  
FIG. 6 is a top view thereof; and,  
FIG. 7 is a bottom view thereof.  
The broken lines shown in FIGS. 1-7 illustrate portions of the trocar that form no part of the claimed design.

**1 Claim, 7 Drawing Sheets**



(56)

**References Cited**

U.S. PATENT DOCUMENTS

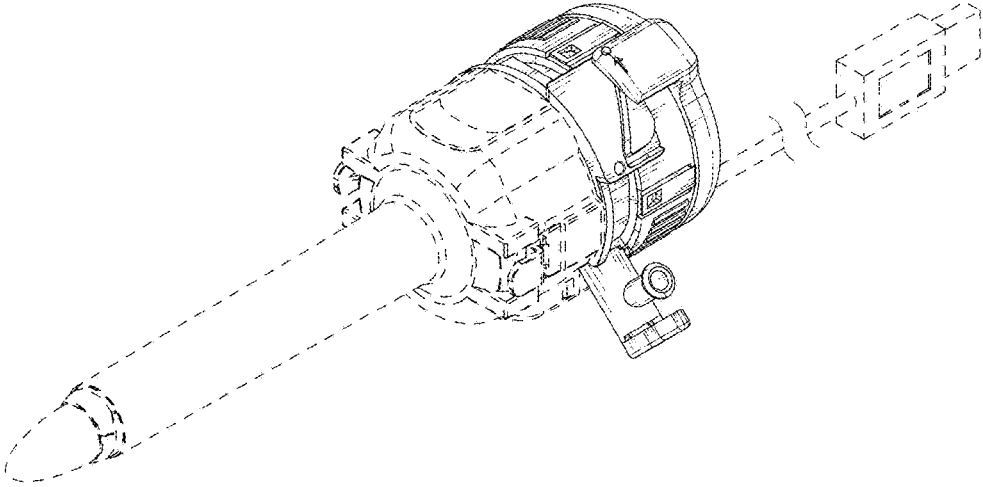
2011/0046449 A1\* 2/2011 Minelli ..... A61B 1/00128  
600/205  
2013/0237902 A1\* 9/2013 McGinley ..... A61B 17/3462  
604/26

FOREIGN PATENT DOCUMENTS

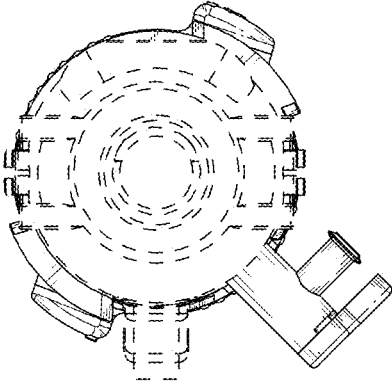
JP 1556278 S 8/2016  
JP 1556279 S 8/2016

\* cited by examiner

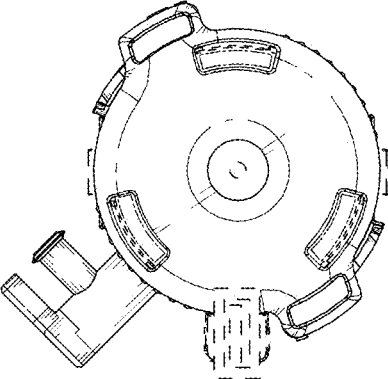
FIG. 1



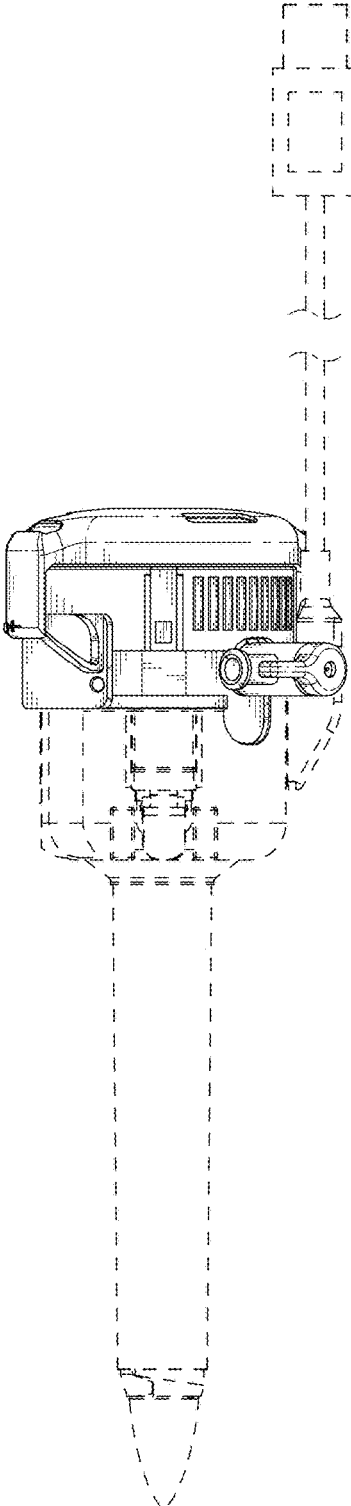
*FIG. 2*



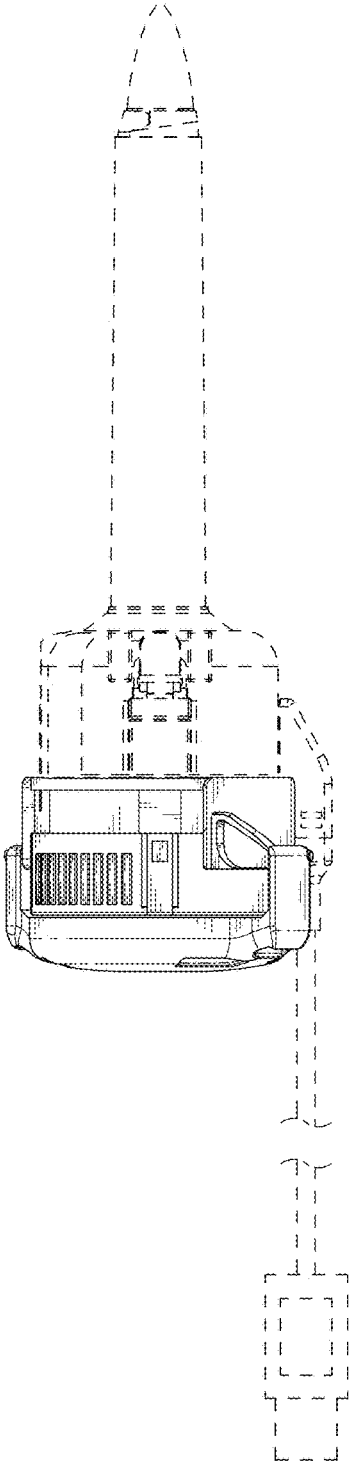
*FIG. 3*



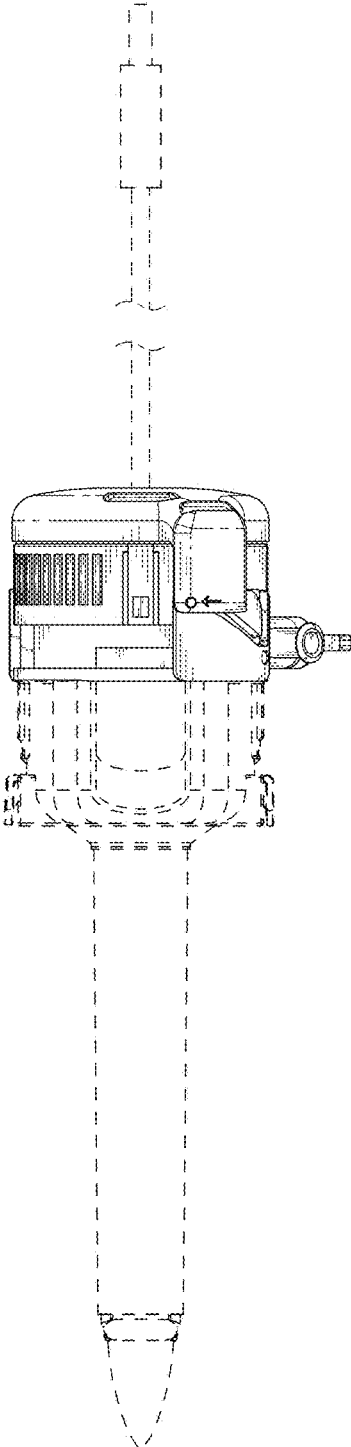
*FIG. 4*



*FIG. 5*



*FIG. 6*





*FIG. 7*

