



US00D740692S

(12) **United States Design Patent**  
**Christie et al.**

(10) **Patent No.:** **US D740,692 S**

(45) **Date of Patent:** **\*\* Oct. 13, 2015**

(54) **CONTAINER**

FOREIGN PATENT DOCUMENTS

(71) Applicant: **The Gillette Company**, Boston, MA (US)

WO WO-97/25189 7/1997

(72) Inventors: **Vanessa Christie**, Boston, MA (US);  
**Andrew Anthony Szczepanowski**, North Attleboro, MA (US)

OTHER PUBLICATIONS

GilletteRazorContainer (Design -© Questel). orbit.com [online PDF] 9 pages. Uploaded Feb. 20, 2014 [retrieved on Mar. 9, 2015]. Retrieved from Internet < http://sobjprd.questel.fr/export/QPTUJ214/pdf2/2515d3d5-6c18-4c75-bd85-f10338351dba-195426.pdf >.\*

(73) Assignee: **The Gillette Company**, Boston, MA (US)

(Continued)

(\*\*) Term: **14 Years**

*Primary Examiner* — Susan Bennett Hattan

(21) Appl. No.: **29/446,055**

*Assistant Examiner* — Marie Fast Horse

(22) Filed: **Feb. 20, 2013**

(74) *Attorney, Agent, or Firm* — Richard Terk Sia; Kevin C. Johnson; Steven W. Miller

(51) **LOC (10) Cl.** ..... **09-03**

(52) **U.S. Cl.**  
USPC ..... **D9/748**

(58) **Field of Classification Search**

USPC ..... D9/737, 748, 749, 754, 755, 700, 686, D9/688, 689, 390; D3/201, 203.1, 203.2, D3/203.3, 203.4, 203.5, 203.6, 203.7, D3/203.8, 205, 273, 275, 294; D27/136; D28/44, 45, 73, 76, 77, 78, 82, 91; 206/228, 354; 29/401.1; 30/526, 541; D10/18, 30, 31, 37, 40, 45  
CPC ..... A45D 27/22; A45D 27/225; B26B 21/40; B26B 21/521; B26B 21/522; B26B 21/528; B65D 1/30; B65D 75/366; B65D 75/367; B65D 77/2068

See application file for complete search history.

(57) **CLAIM**

The ornamental design for a container, as shown and described.

**DESCRIPTION**

FIG. 1 is a perspective view of a container showing my new design;  
FIG. 2 is a top view thereof;  
FIG. 3 is a bottom view thereof;  
FIG. 4 is a right view thereof;  
FIG. 5 is a left view thereof;  
FIG. 6 is a front view thereof;  
FIG. 7 is a rear view thereof;  
FIG. 8 is perspective view of the container shown in FIG. 1, in an opened orientation;  
FIG. 9 is top view thereof;  
FIG. 10 is a bottom view thereof;  
FIG. 11 is a right view thereof;  
FIG. 12 is a left view thereof;  
FIG. 13 is a front view thereof; and,  
FIG. 14 is a rear view thereof.

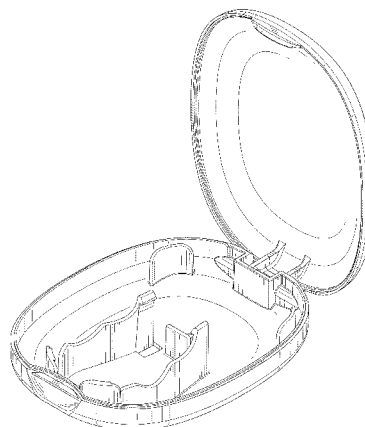
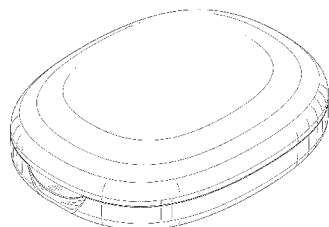
(56) **References Cited**

U.S. PATENT DOCUMENTS

971,772 A 10/1910 Millar  
1,234,834 A 7/1917 Warren  
1,613,798 A \* 1/1927 Kendall ..... 132/293  
1,695,287 A \* 12/1928 Kasdan et al. .... 132/296  
2,070,430 A \* 2/1937 Wallenthin ..... 206/228

(Continued)

**1 Claim, 9 Drawing Sheets**



(56)

References Cited

U.S. PATENT DOCUMENTS

2,122,158 A \* 6/1938 Segal ..... 206/228  
 2,338,880 A 1/1944 Testi .....  
 D144,278 S \* 3/1946 Wohl ..... D27/189  
 D146,916 S \* 6/1947 Hornung ..... D3/205  
 D146,918 S \* 6/1947 Hornung ..... D3/205  
 2,517,758 A \* 8/1950 Allen ..... 206/6.1  
 2,534,861 A 12/1950 Foltis .....  
 D184,574 S \* 3/1959 Metzler et al. .... D9/748  
 D185,636 S \* 7/1959 Glaberson ..... D9/748  
 D247,024 S \* 1/1978 Hauf ..... D3/205  
 D249,332 S \* 9/1978 Hauf ..... D3/205  
 4,167,059 A 9/1979 Iten .....  
 D259,596 S \* 6/1981 Gray ..... D3/205  
 D262,585 S \* 1/1982 Anema ..... D3/205  
 D266,028 S \* 8/1982 Boyd ..... D28/82  
 D269,249 S \* 6/1983 Cillario ..... D9/424  
 D278,276 S \* 4/1985 Bakic ..... D28/78  
 D305,947 S \* 2/1990 Chevassus ..... D28/78  
 D310,480 S \* 9/1990 Geiger ..... D9/689  
 D313,175 S \* 12/1990 Motta et al. .... D9/721  
 4,976,030 A 12/1990 Boyd .....  
 5,020,037 A \* 5/1991 Raven ..... 368/10  
 5,107,871 A \* 4/1992 Butcher et al. .... 132/304  
 5,129,157 A 7/1992 Wood .....  
 D339,470 S \* 9/1993 Marks ..... D3/262  
 D349,207 S \* 8/1994 Wolff ..... D6/536  
 D349,242 S \* 8/1994 Lazarchik et al. .... D9/444  
 D350,836 S \* 9/1994 Chevassus ..... D28/76  
 D351,682 S \* 10/1994 McIlvain ..... D28/78  
 D360,036 S \* 7/1995 Doria ..... D24/200  
 D362,517 S \* 9/1995 Pirmayer ..... D28/49  
 D363,142 S \* 10/1995 Shurtleff ..... D28/48  
 D364,707 S \* 11/1995 Shurtleff ..... D28/46  
 D367,211 S \* 2/1996 Cautereels ..... D7/629  
 D367,878 S \* 3/1996 Lee et al. .... D18/17  
 5,497,551 A 3/1996 Apprille, Jr. ....  
 D370,338 S \* 6/1996 Quist ..... D3/205  
 D377,458 S \* 1/1997 Tsui ..... D10/104.1  
 D378,623 S 3/1997 Wonderley .....  
 D381,768 S \* 7/1997 Shurtleff ..... D28/48  
 5,692,529 A 12/1997 Fekete .....  
 5,799,511 A 9/1998 Benderly .....  
 D400,011 S \* 10/1998 Palmer et al. .... D3/294  
 D405,684 S \* 2/1999 Gager et al. .... D9/686  
 D419,865 S \* 2/2000 Gager et al. .... D9/686  
 6,018,877 A 2/2000 Greene .....  
 D425,296 S \* 5/2000 Shurtleff ..... D3/205  
 6,112,421 A 9/2000 Greene .....  
 D449,165 S \* 10/2001 van der Hulst ..... D3/294  
 D452,045 S \* 12/2001 Ferber ..... D28/61  
 6,370,783 B1 4/2002 Bozikis et al. ....  
 D460,218 S \* 7/2002 Thorpe ..... D28/82  
 D462,512 S \* 9/2002 Wolf ..... D3/205  
 D473,680 S \* 4/2003 Saunders et al. .... D28/78  
 D485,015 S \* 1/2004 Chue ..... D28/64.1  
 6,817,468 B2 11/2004 Horesh .....  
 6,823,594 B2 11/2004 Kludjian et al. ....  
 D501,714 S \* 2/2005 Trybus ..... D3/205  
 D508,847 S \* 8/2005 Au ..... D3/294  
 D515,414 S \* 2/2006 Au ..... D3/294  
 D515,804 S \* 2/2006 Chue ..... D3/203.2  
 D531,761 S \* 11/2006 Zadeh et al. .... D28/83  
 D534,423 S \* 1/2007 Tanner ..... D9/426

D538,031 S \* 3/2007 Costa et al. .... D3/203.1  
 D542,675 S \* 5/2007 Luxton et al. .... D9/749  
 D546,564 S \* 7/2007 Lo et al. .... D6/300  
 D548,970 S \* 8/2007 Huang ..... D3/294  
 D549,119 S \* 8/2007 Becker ..... D10/104.1  
 D561,470 S \* 2/2008 Jalet ..... D3/294  
 D565,289 S \* 4/2008 Christie et al. .... D3/205  
 D570,098 S \* 6/2008 Luzon ..... D3/205  
 D584,964 S \* 1/2009 Schulz et al. .... D3/205  
 D586,665 S \* 2/2009 Murgida et al. .... D3/205  
 D588,799 S \* 3/2009 Garland et al. .... D3/205  
 D596,953 S \* 7/2009 Wonderley et al. .... D9/749  
 D600,913 S \* 9/2009 Kalbach ..... D3/294  
 D602,245 S \* 10/2009 Christie et al. .... D3/205  
 D602,246 S \* 10/2009 Paik ..... D3/205  
 D604,501 S \* 11/2009 Lee ..... D3/201  
 D609,009 S \* 2/2010 Schaal et al. .... D3/294  
 D613,944 S \* 4/2010 Molina ..... D3/294  
 D613,945 S \* 4/2010 Molina ..... D3/294  
 D625,611 S \* 10/2010 Higuchi et al. .... D9/686  
 D625,913 S \* 10/2010 Phillips ..... D3/205  
 D628,573 S \* 12/2010 Wang ..... D14/356  
 D630,505 S \* 1/2011 Westemeyer et al. .... D9/426  
 7,874,076 B2 1/2011 Gratsias et al. ....  
 D634,115 S \* 3/2011 Long et al. .... D3/201  
 D636,598 S \* 4/2011 Tseng et al. .... D3/294  
 7,975,389 B2 7/2011 Bozikis et al. ....  
 D643,294 S \* 8/2011 Thorpe et al. .... D9/521  
 D644,789 S 9/2011 Lukan et al. ....  
 D649,341 S \* 11/2011 Long et al. .... D3/201  
 D652,617 S \* 1/2012 Chen ..... D3/203.3  
 D657,210 S \* 4/2012 Smiedt et al. .... D7/709  
 D659,991 S \* 5/2012 Long et al. .... D3/201  
 D660,590 S \* 5/2012 Seidel ..... D3/264  
 D663,943 S \* 7/2012 Walsh et al. .... D3/203.1  
 D673,366 S \* 1/2013 Schumann et al. .... D3/294  
 8,342,322 B2 \* 1/2013 De'Rennaux ..... 206/204  
 D675,434 S \* 2/2013 Vernall et al. .... D3/294  
 D675,823 S \* 2/2013 Vernall et al. .... D3/294  
 D681,938 S \* 5/2013 Pan ..... D3/205  
 D682,538 S \* 5/2013 Rollo ..... D3/205  
 D689,618 S \* 9/2013 Valderrama et al. .... D24/194  
 8,770,398 B1 \* 7/2014 Krok et al. .... 206/208  
 D715,139 S \* 10/2014 Marcinkowski ..... D9/424  
 D720,526 S \* 1/2015 Lopez-Stout ..... D3/205  
 2003/0033717 A1 2/2003 Cecil .....  
 2004/0020509 A1 \* 2/2004 Waisman ..... 132/316  
 2009/0056151 A1 \* 3/2009 Kohring et al. .... 30/541  
 2009/0057170 A1 \* 3/2009 Kohring et al. .... 206/228  
 2009/0321292 A1 \* 12/2009 Prudden et al. .... 206/354  
 2011/0016734 A1 1/2011 Kludjian et al. ....  
 2011/0088268 A1 4/2011 Marut .....  
 2011/0219620 A1 9/2011 Rehbein et al. ....  
 2011/0308098 A1 \* 12/2011 De'Rennaux ..... 30/541  
 2012/0042478 A1 2/2012 Bridges .....  
 2013/0256179 A1 \* 10/2013 Limback ..... 206/469  
 2014/0230255 A1 \* 8/2014 Stevens et al. .... 30/526  
 2014/0230257 A1 \* 8/2014 Eagleton et al. .... 30/526  
 2014/0230258 A1 \* 8/2014 Eagleton et al. .... 30/527

OTHER PUBLICATIONS

U.S. Appl. No. 29/446,053, filed Feb. 20, 2013, Christopher R. Eagleton et al.

\* cited by examiner

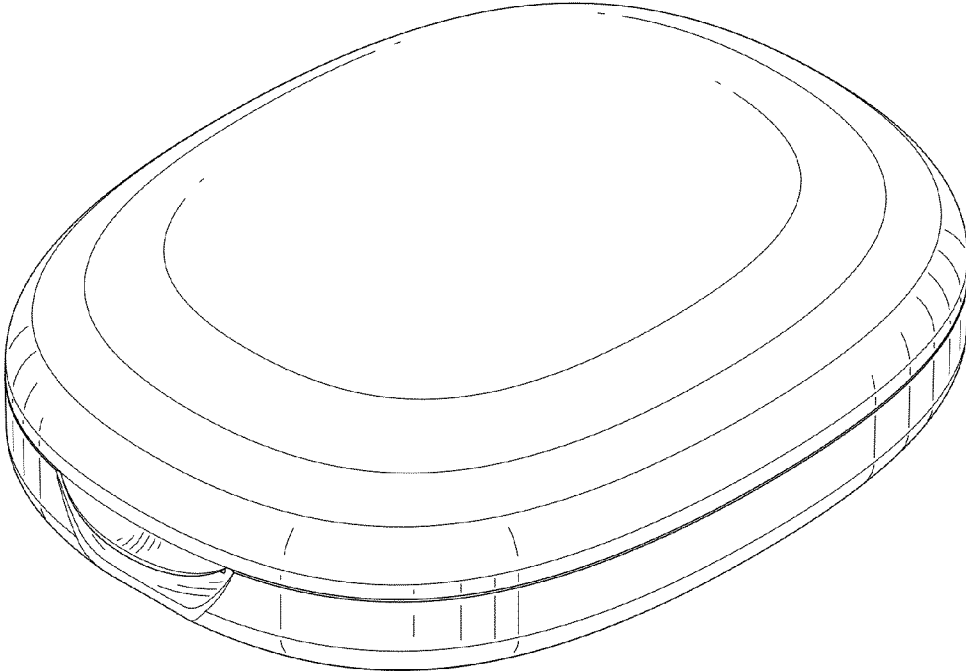


FIG. 1

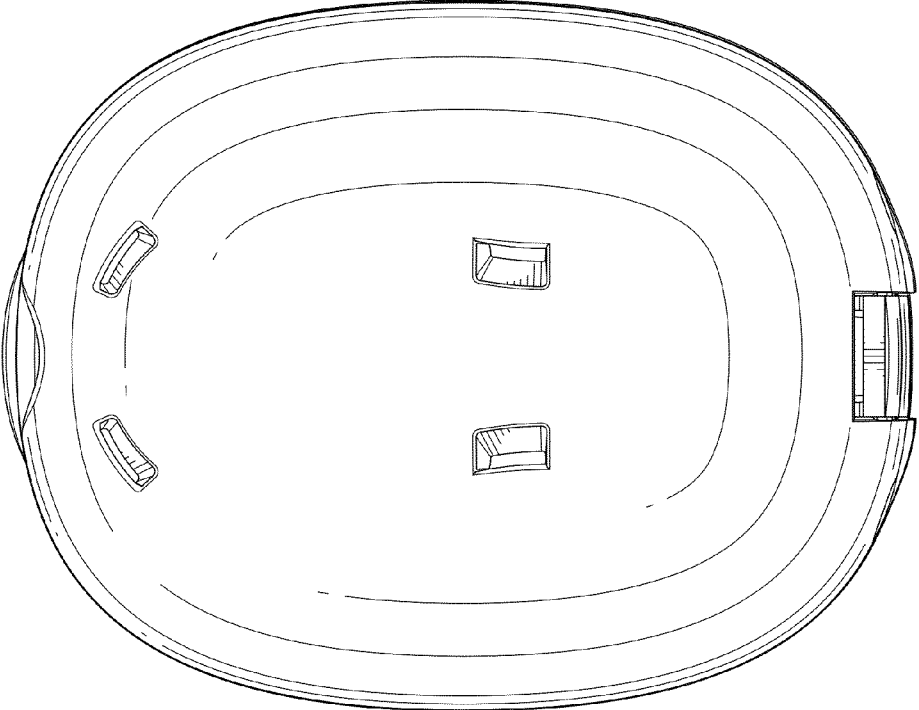


FIG. 3

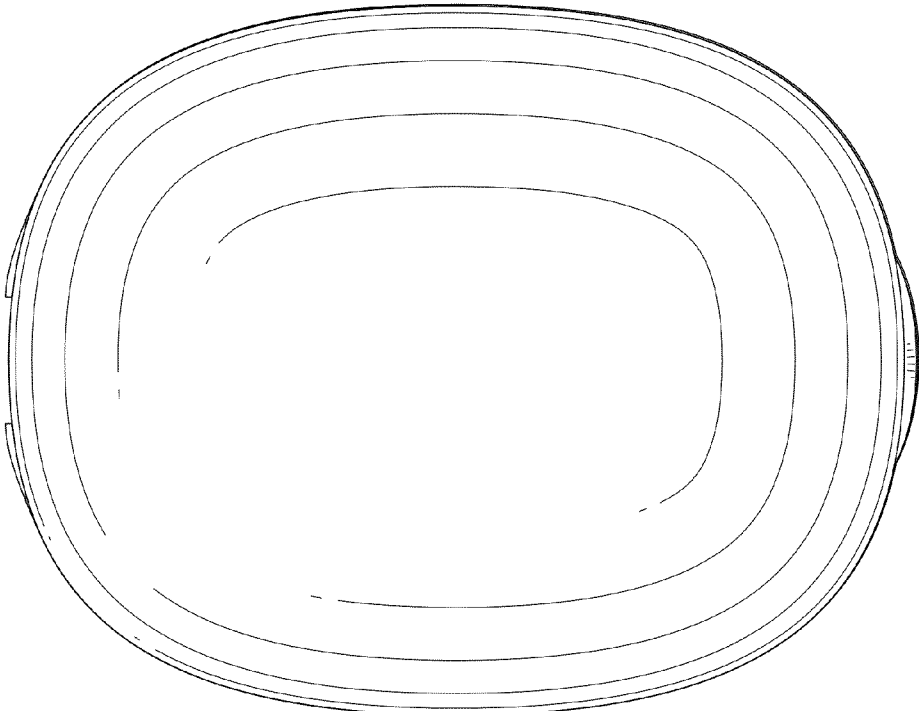


FIG. 2

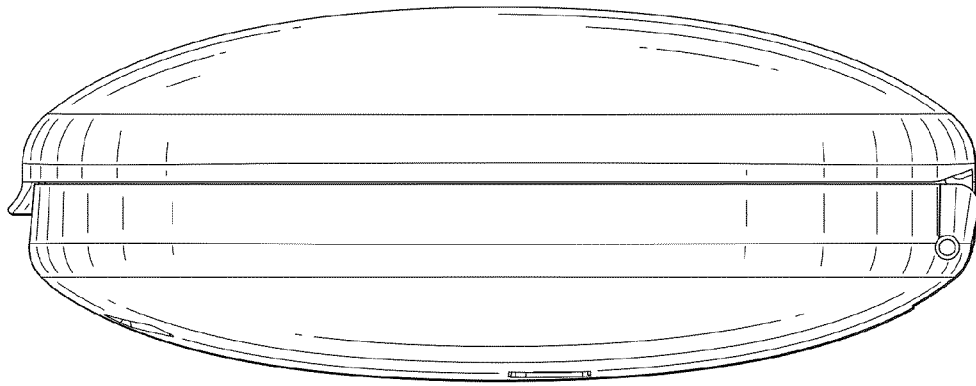


FIG. 4

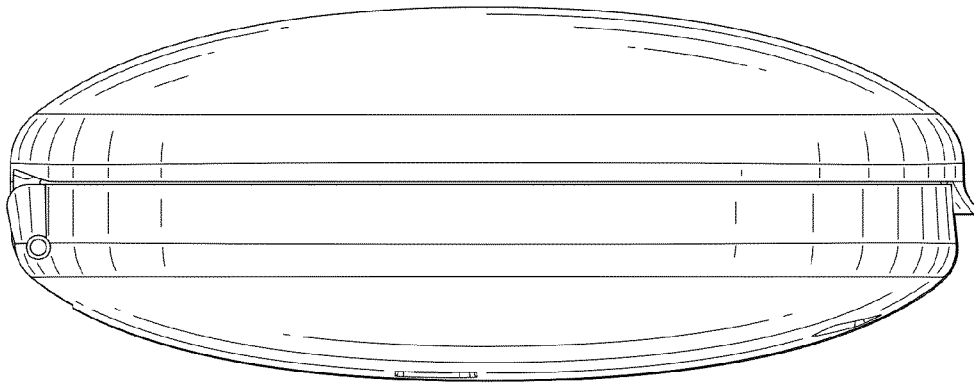


FIG. 5

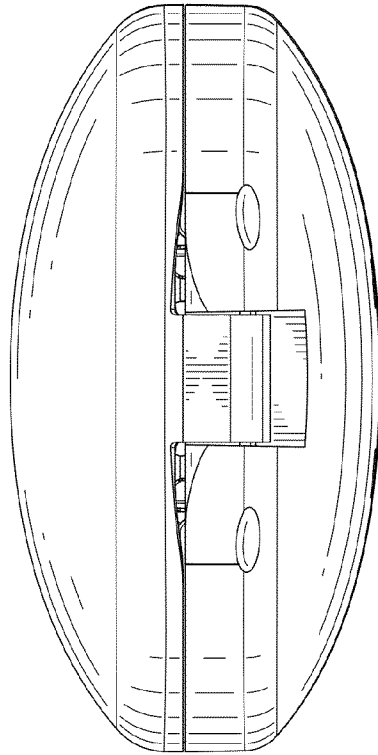


FIG. 7

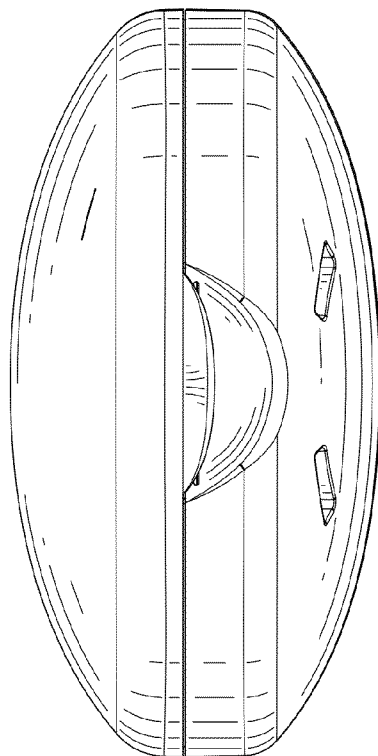


FIG. 6

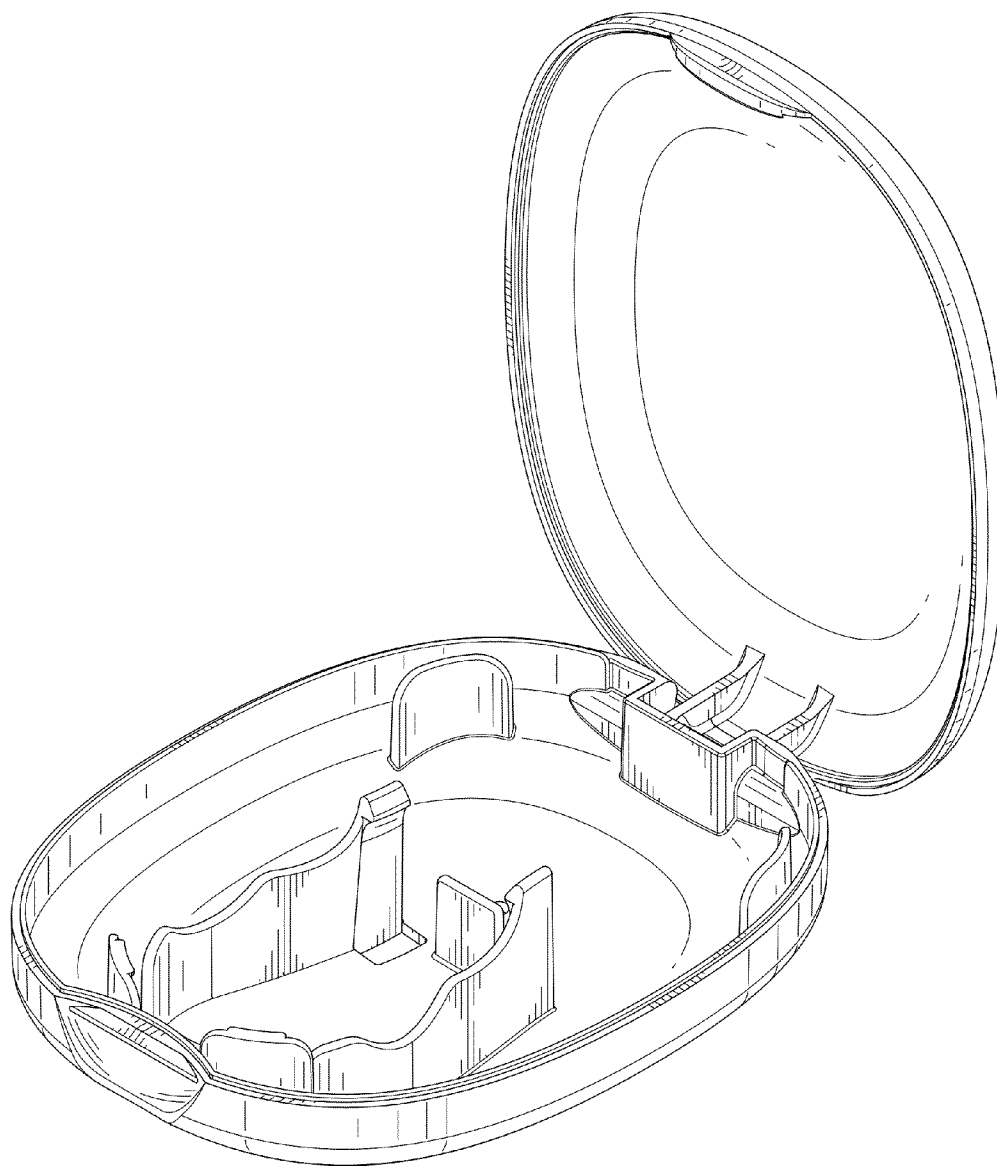


FIG. 8

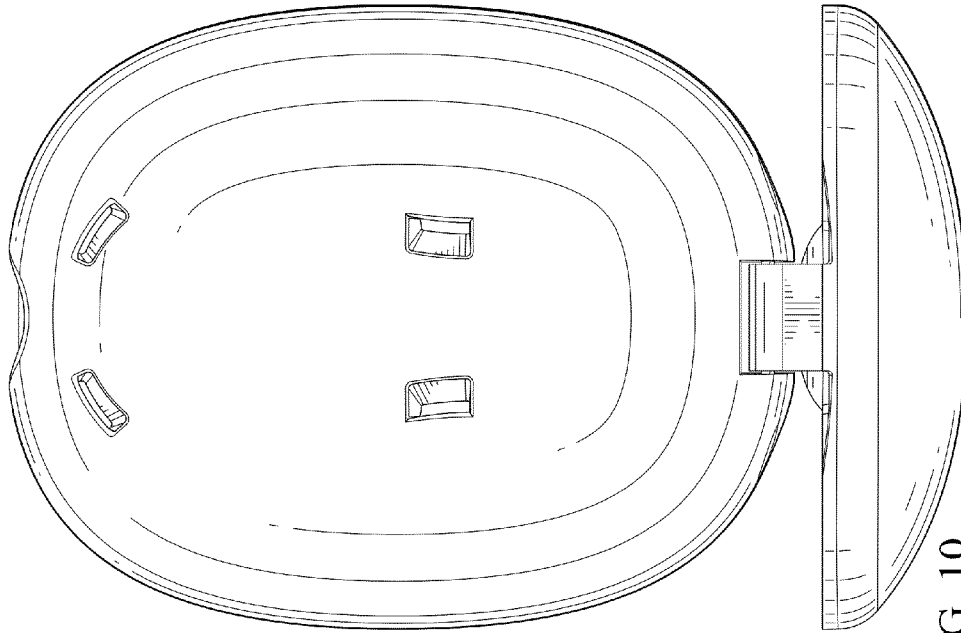


FIG. 10

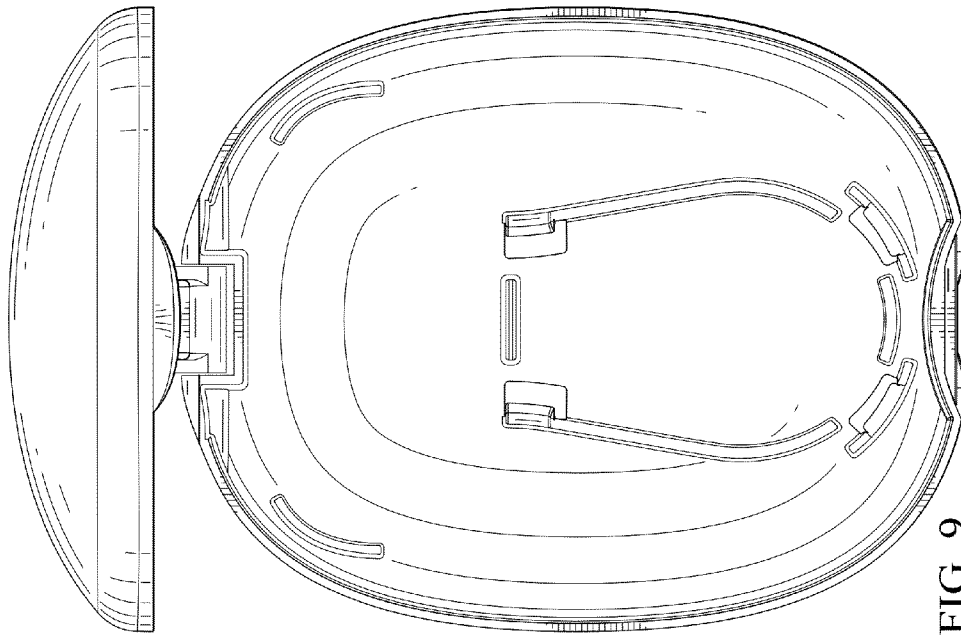


FIG. 9



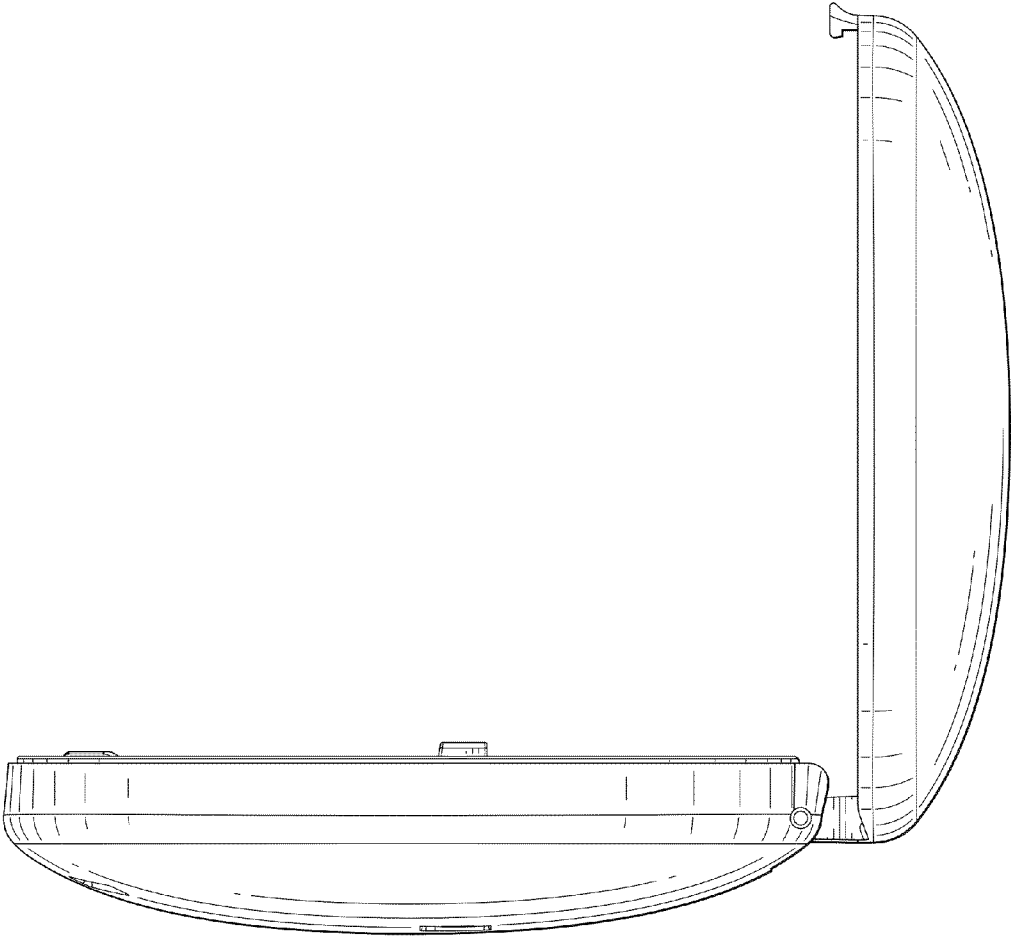


FIG. 11

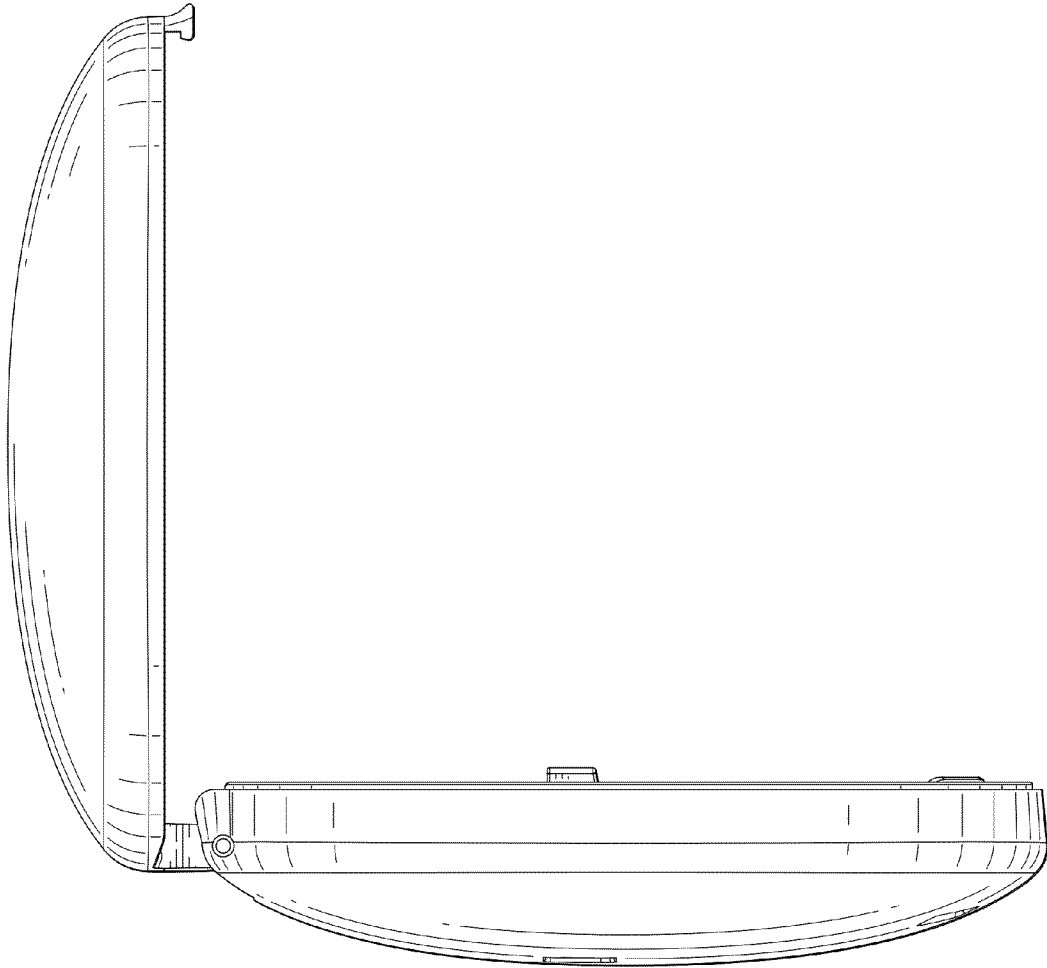


FIG. 12

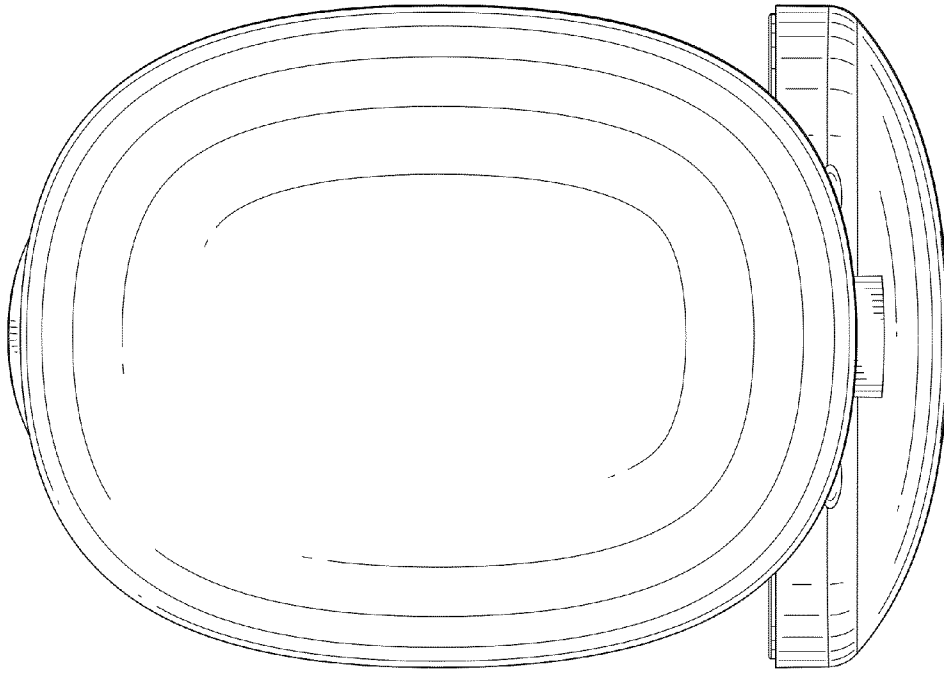


FIG. 14

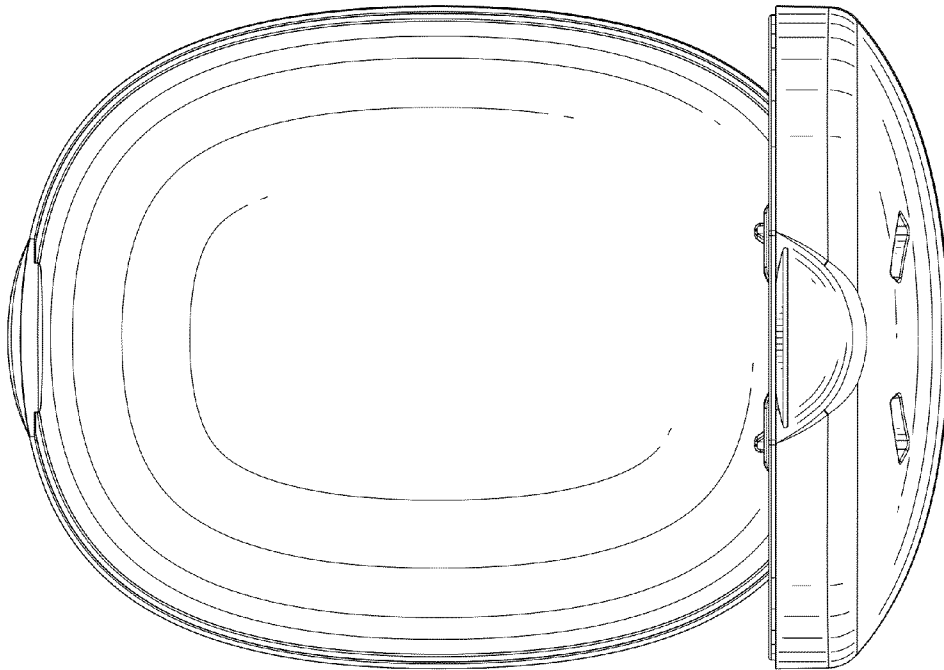


FIG. 13