



US00D793602S

(12) **United States Design Patent**
Liu

(10) **Patent No.:** **US D793,602 S**

(45) **Date of Patent:** **** Aug. 1, 2017**

- (54) **LIGHTING FIXTURE**
- (71) Applicant: **Shen-Wei Liu**, Taichung (TW)
- (72) Inventor: **Shen-Wei Liu**, Taichung (TW)
- (73) Assignee: **Shen-Wei Liu**, Taichung (TW)
- (**) Term: **14 Years**
- (21) Appl. No.: **29/506,797**
- (22) Filed: **Oct. 20, 2014**
- (51) **LOC (10) Cl.** **26-03**
- (52) **U.S. Cl.**
USPC **D26/76**
- (58) **Field of Classification Search**
USPC D26/76, 78, 79, 80, 81, 82, 83, 85, 88,
D26/90, 118, 119, 120, 121, 122, 138,
D26/140-142
CPC F21S 4/00; F21S 4/003; F21S 4/006; F21S
4/007; F21S 4/008; F21S 6/004; F21S
6/005; F21K 9/54; F21V 15/01; F21V
15/013
See application file for complete search history.

- 4,275,331 A * 6/1981 Stresing H01J 9/34
156/580.1
- 4,316,121 A * 2/1982 Hammer H05B 41/04
315/52
- D459,516 S * 6/2002 Demers D26/63
- D464,162 S * 10/2002 Segretto D26/80
- D595,444 S * 6/2009 Shimomura D26/76
- D696,812 S * 12/2013 Peng D26/76
- 2013/0068709 A1* 3/2013 Liu B25H 3/04
211/70.6

* cited by examiner

Primary Examiner — George D Kirschbaum

Assistant Examiner — Natasha Vujcic

(74) *Attorney, Agent, or Firm* — Senniger Powers LLP

(57) **CLAIM**

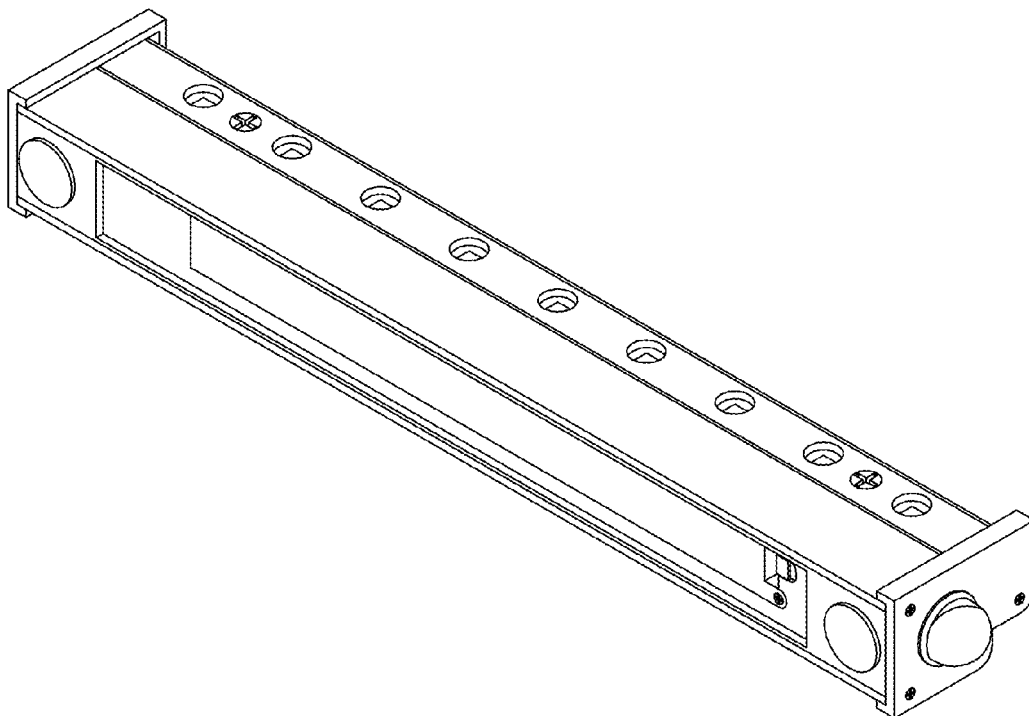
I claim, the ornamental design for a lighting fixture, as shown and described.

DESCRIPTION

FIG. 1 is a perspective view of a lighting fixture showing my new design;
 FIG. 2 is a front elevational view thereof;
 FIG. 3 is a rear elevational view thereof;
 FIG. 4 is a left side elevational view thereof;
 FIG. 5 is a right side elevational view thereof;
 FIG. 6 is a top plan view thereof;
 FIG. 7 is a bottom plan view thereof; and,
 FIG. 8 is a perspective view thereof from another angle.

1 Claim, 5 Drawing Sheets

- (56) **References Cited**
U.S. PATENT DOCUMENTS
3,974,418 A * 8/1976 Fridrich F21V 15/015
315/100
4,204,139 A * 5/1980 Shimer F21V 19/008
315/58



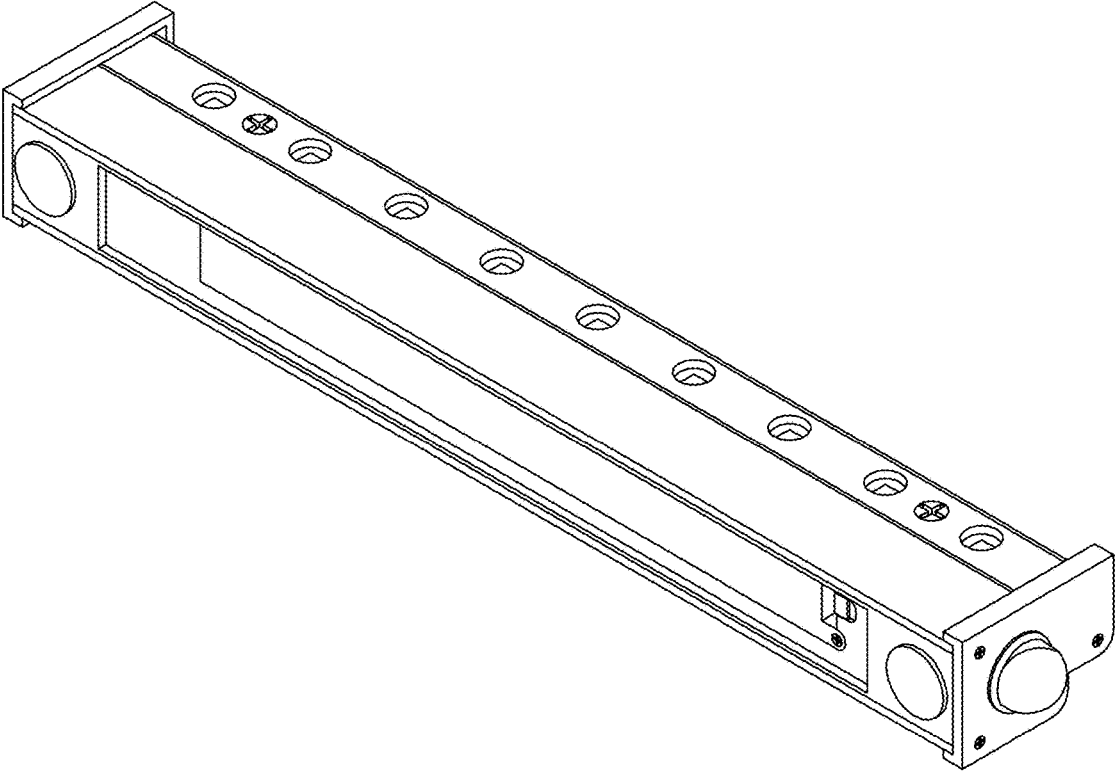


FIG. 1

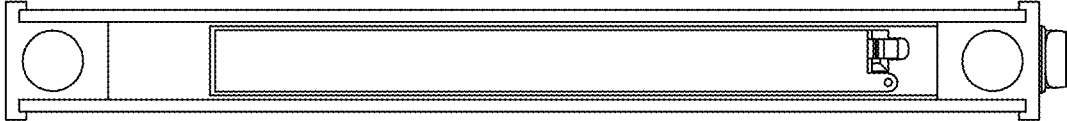


FIG. 2

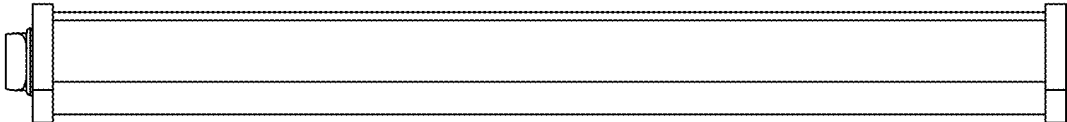


FIG. 3

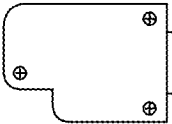


FIG. 4

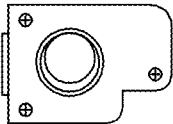


FIG. 5

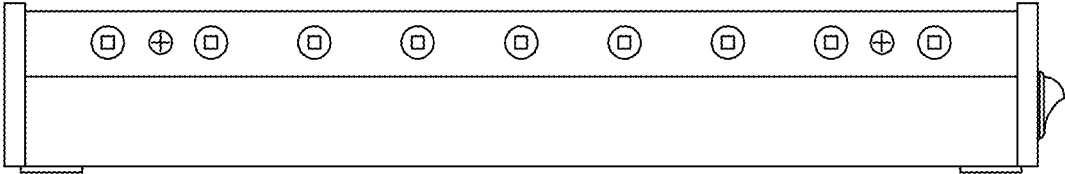


FIG. 6

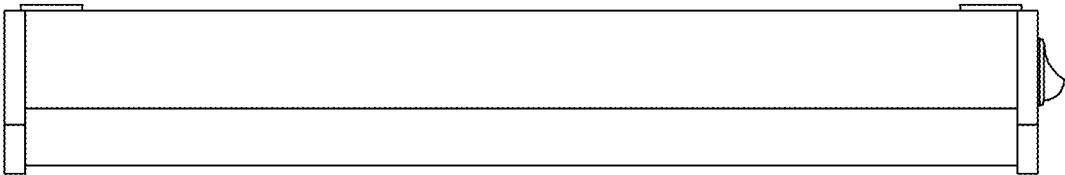


FIG. 7

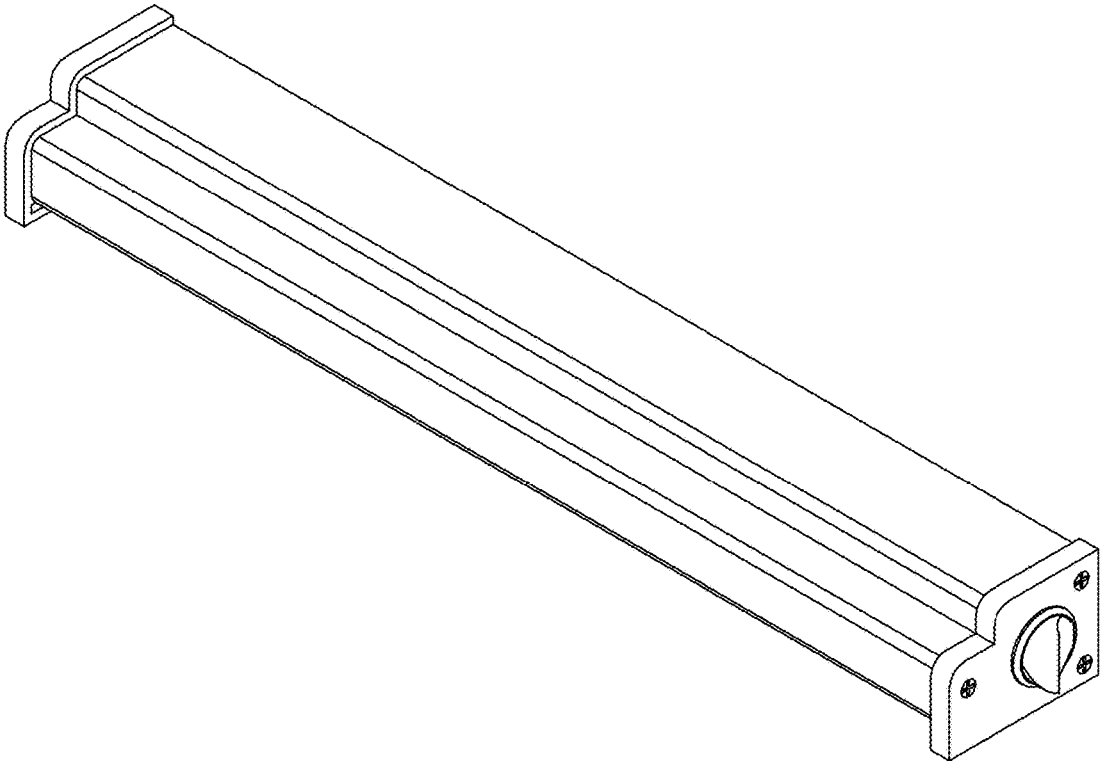


FIG. 8