

(19) World Intellectual Property
Organization
International Bureau



(43) International Publication Date
19 February 2004 (19.02.2004)

PCT

(10) International Publication Number
WO 2004/014806 A3

(51) International Patent Classification⁷: C02F 1/467

(21) International Application Number:
PCT/IL2003/000662

(22) International Filing Date: 10 August 2003 (10.08.2003)

(25) Filing Language: English

(26) Publication Language: English

(30) Priority Data:
151181 11 August 2002 (11.08.2002) IL

(71) Applicant and

(72) Inventor: ELGRESSY, Gabby [IL/IL]; 16 Shechterman
St., 42379 Netanya (IL).

(74) Agent: FRIEDMAN, Mark, M.; Dr. Mark Friedman
Ltd., 7 Haomanim Street, 67897 Tel Aviv (IL).

(81) Designated States (national): AE, AG, AL, AM, AT, AU,
AZ, BA, BB, BG, BR, BY, BZ, CA, CH, CN, CO, CR, CU,

CZ, DE, DK, DM, DZ, EC, EE, ES, FI, GB, GD, GE, GH,
GM, HR, HU, ID, IL, IN, IS, JP, KE, KG, KP, KR, KZ, LC,
LK, LR, LS, LT, LU, LV, MA, MD, MG, MK, MN, MW,
MX, MZ, NI, NO, NZ, OM, PG, PH, PL, PT, RO, RU, SC,
SD, SE, SG, SK, SL, SY, TJ, TM, TN, TR, TT, TZ, UA,
UG, US, UZ, VC, VN, YU, ZA, ZM, ZW.

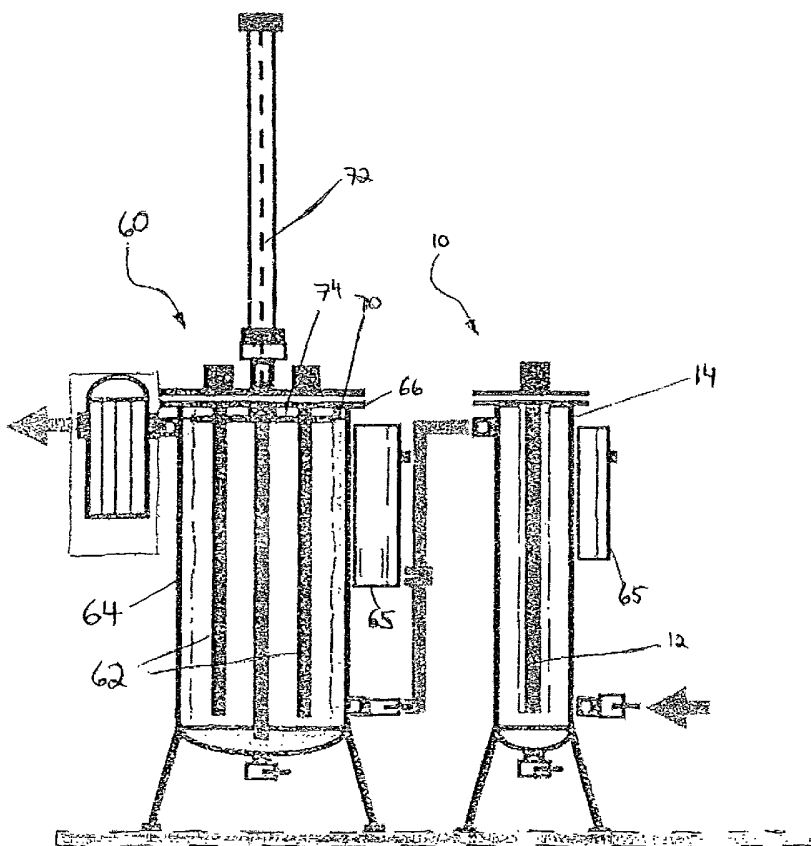
(84) Designated States (regional): ARIPO patent (GH, GM,
KE, LS, MW, MZ, SD, SL, SZ, TZ, UG, ZM, ZW),
Eurasian patent (AM, AZ, BY, KG, KZ, MD, RU, TJ, TM),
European patent (AT, BE, BG, CH, CY, CZ, DE, DK, EE,
ES, FI, FR, GB, GR, HU, IE, IT, LU, MC, NL, PT, RO,
SE, SI, SK, TR), OAPI patent (BF, BJ, CF, CG, CI, CM,
GA, GN, GQ, GW, ML, MR, NE, SN, TD, TG).

Published:

- with international search report
- before the expiration of the time limit for amending the
claims and to be republished in the event of receipt of
amendments

[Continued on next page]

(54) Title: A COMBINED ELECTROCHEMICAL SYSTEM FOR SCALE TREATMENT AND ERADICATING LEGIONELLA PNEUMOPHILA BACTERIA IN WATER SUPPLY SYSTEMS



(57) Abstract: A combined electrochemical system for scale treatment and eradicating bacteria in water supply systems having: (a) a first electro-chemical cell (60) including: (i) a first metallic tank (64) for receiving a water supply and forming a cathode of the first electro-chemical cell, and (ii) a first anode (62), disposed within the first tank; (b) a second electro-chemical cell (10) including: (i) a second metallic tank (14) for receiving an effluent from the anode, disposed within the second tank; and (c) a DC electrical supply source operatively connected to the first and second cells.

WO 2004/014806 A3



(88) Date of publication of the international search report:

11 March 2004

For two-letter codes and other abbreviations, refer to the "Guidance Notes on Codes and Abbreviations" appearing at the beginning of each regular issue of the PCT Gazette.

INTERNATIONAL SEARCH REPORT

International application No.
PCT/IL03/00662

A. CLASSIFICATION OF SUBJECT MATTER
 IPC(7) : C02F 1/467
 US CL : 210/748, 764, 207, 243, 523; 422/22; 204/571; 205/755
 According to International Patent Classification (IPC) or to both national classification and IPC

B. FIELDS SEARCHED
 Minimum documentation searched (classification system followed by classification symbols)
 U.S. : 210/748, 764, 803, 207, 208, 220, 243, 523; 422/22, 186; 204/164, 571; 205/742, 755

Documentation searched other than minimum documentation to the extent that such documents are included in the fields searched

Electronic data base consulted during the international search (name of data base and, where practicable, search terms used)
 Please See Continuation Sheet

C. DOCUMENTS CONSIDERED TO BE RELEVANT


Category *	Citation of document, with indication, where appropriate, of the relevant passages	Relevant to claim No.
A	US 3,892,640 A (FURUTA) 01 July 1975 (01.07.1975)	1-15
A	US 4,032,421 A (FABRICIUS) 28 June 1977 (28.06.1977)	1-15
A	US 5,948,273 A (YOSHIDA et al) 07 September 1999 (07.09.1999)	1-15
A	US 6,350,385 B1 (HOLT et al) 26 February 2002 (26.02.2002)	1-15
A	US 6,332,979 B1 (STEFFENS et al) 25 December 2001 (25.12.2001)	1-15

Further documents are listed in the continuation of Box C. See patent family annex.

* Special categories of cited documents:	"T"
"A" document defining the general state of the art which is not considered to be of particular relevance	later document published after the international filing date or priority date and not in conflict with the application but cited to understand the principle or theory underlying the invention
"E" earlier application or patent published on or after the international filing date	"X" document of particular relevance; the claimed invention cannot be considered novel or cannot be considered to involve an inventive step when the document is taken alone
"L" document which may throw doubts on priority claim(s) or which is cited to establish the publication date of another citation or other special reason (as specified)	"Y" document of particular relevance; the claimed invention cannot be considered to involve an inventive step when the document is combined with one or more other such documents, such combination being obvious to a person skilled in the art
"O" document referring to an oral disclosure, use, exhibition or other means	"&" document member of the same patent family
"P" document published prior to the international filing date but later than the priority date claimed	

Date of the actual completion of the international search: 14 December 2003 (14.12.2003)
 Date of mailing of the international search report: 16 JAN 2004

Name and mailing address of the ISA/US:
 Mail Stop PCT, Attn: ISA/US
 Commissioner for Patents
 P.O. Box 1450
 Alexandria, Virginia 22313-1450
 Facsimile No. (703) 305-3230

Authorized officer:
 Frank M. Lawrence 
 Telephone No. 571-272-0987

INTERNATIONAL SEARCH REPORT

PCT/IL03/00662

Continuation of B. FIELDS SEARCHED Item 3:
DERWENT
search terms: bacteria, scale, electro-chemical